



US00D613823S

(12) **United States Design Patent**
Sofield

(10) **Patent No.:** **US D613,823 S**
(45) **Date of Patent:** **** Apr. 13, 2010**

(54) **PLUMBING FITTING**

(57) **CLAIM**

(75) Inventor: **William Sofield**, New York, NY (US)

The ornamental design for a plumbing fitting, as shown and described.

(73) Assignee: **Kohler Co.**, Kohler, WI (US)

(**) Term: **14 Years**

DESCRIPTION

(21) Appl. No.: **29/336,330**

(22) Filed: **Apr. 30, 2009**

(51) **LOC (9) Cl.** **23-01**

(52) **U.S. Cl.** **D23/250**

(58) **Field of Classification Search** D23/238-243,
D23/250, 252-254; 4/676-678; 137/801,
137/359; 16/110.1; D8/350-353; D6/550
See application file for complete search history.

In a preferred embodiment, the nature of this product is a plumbing fitting such as a handle for a control valve or a faucet or a portion of a robe hook.

FIG. 1 is a right, top, front perspective view thereof of a plumbing fitting embodying my new design;

FIG. 2 is a front elevational view thereof, the rear elevational view thereof being a mirror image of the front shown;

FIG. 3 is a top plan view thereof;

FIG. 4 is a right side elevational view thereof, the left side elevational view thereof being a mirror image of the right side shown;

FIG. 5 is a bottom plan view thereof;

FIG. 6 is a right, top, front perspective view of a plumbing fitting according to another embodiment of my new design, the various views thereof being as shown in the associated FIGS. 2-5; and,

FIG. 7 is a right, top, front perspective view of a plumbing fitting according to another embodiment of my new design, the various views thereof being as shown in the associated FIGS. 2-5.

The broken line representations in the figures are for the purpose of illustration only, and forms no part of the claimed design.

(56) **References Cited**

U.S. PATENT DOCUMENTS

D433,105 S * 10/2000 Mirth et al. D23/250
D588,896 S * 3/2009 Ricereto D8/307

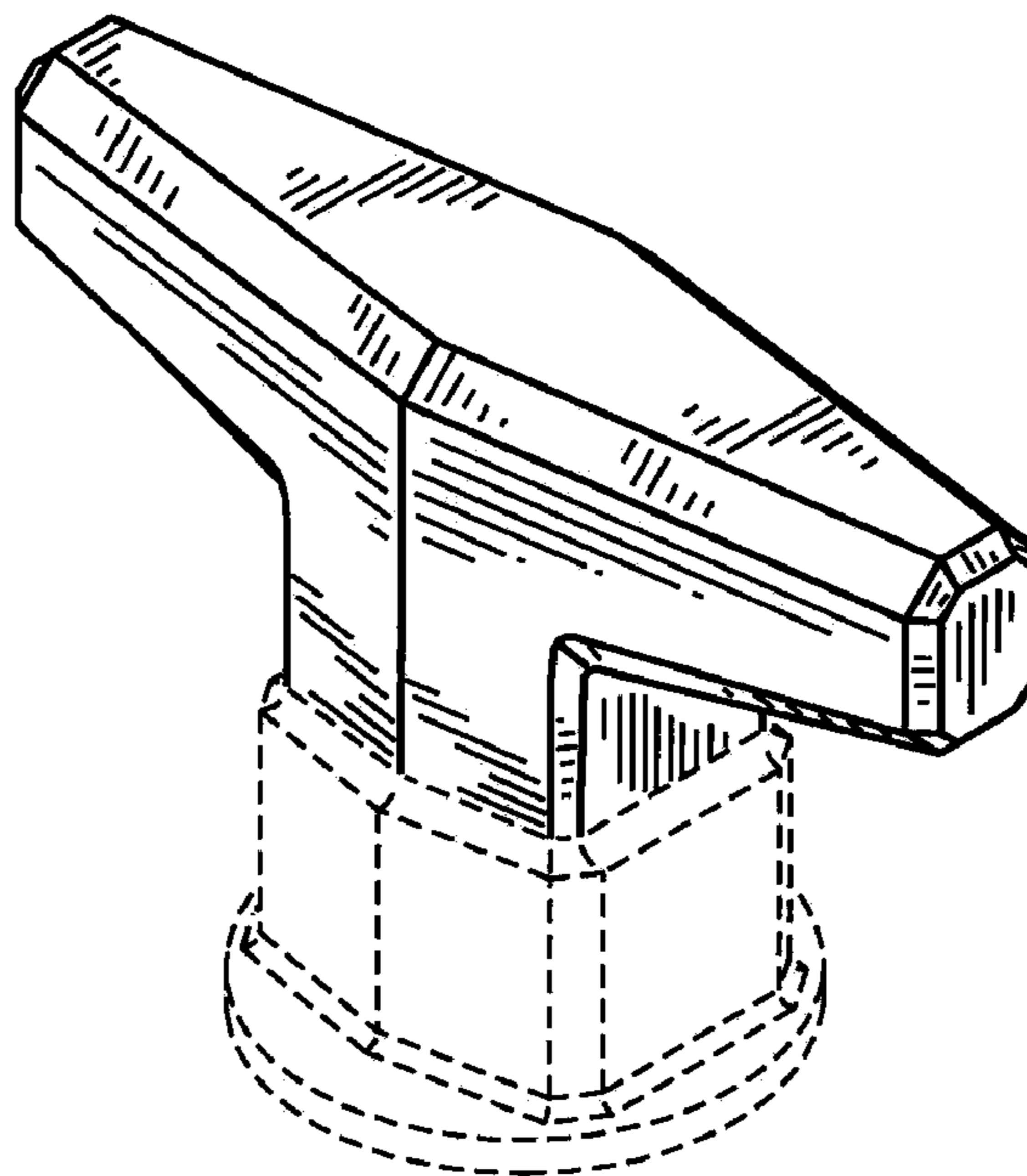
OTHER PUBLICATIONS

Kohler Co. "Finial Fundamentals Lavatory". Model No. K-310-6. Kohler Co. catalog, p. 2.9.
Kohler Co. "Pheasant lavatory handles". Model No. K-280-9B/K-258-PH-96. Kohler Co. catalog, p. 13.14.
Kohler Co. "Taboret Lavatory". Model No. K-K8202-K/K-16070-4C. Kohler Co. catalog, p. 4.8.
Sieger Design. "Belle De Jour lavatory handles".

* cited by examiner

Primary Examiner—Robert A Delehanty
(74) Attorney, Agent, or Firm—Quarles & Brady LLP

1 Claim, 4 Drawing Sheets



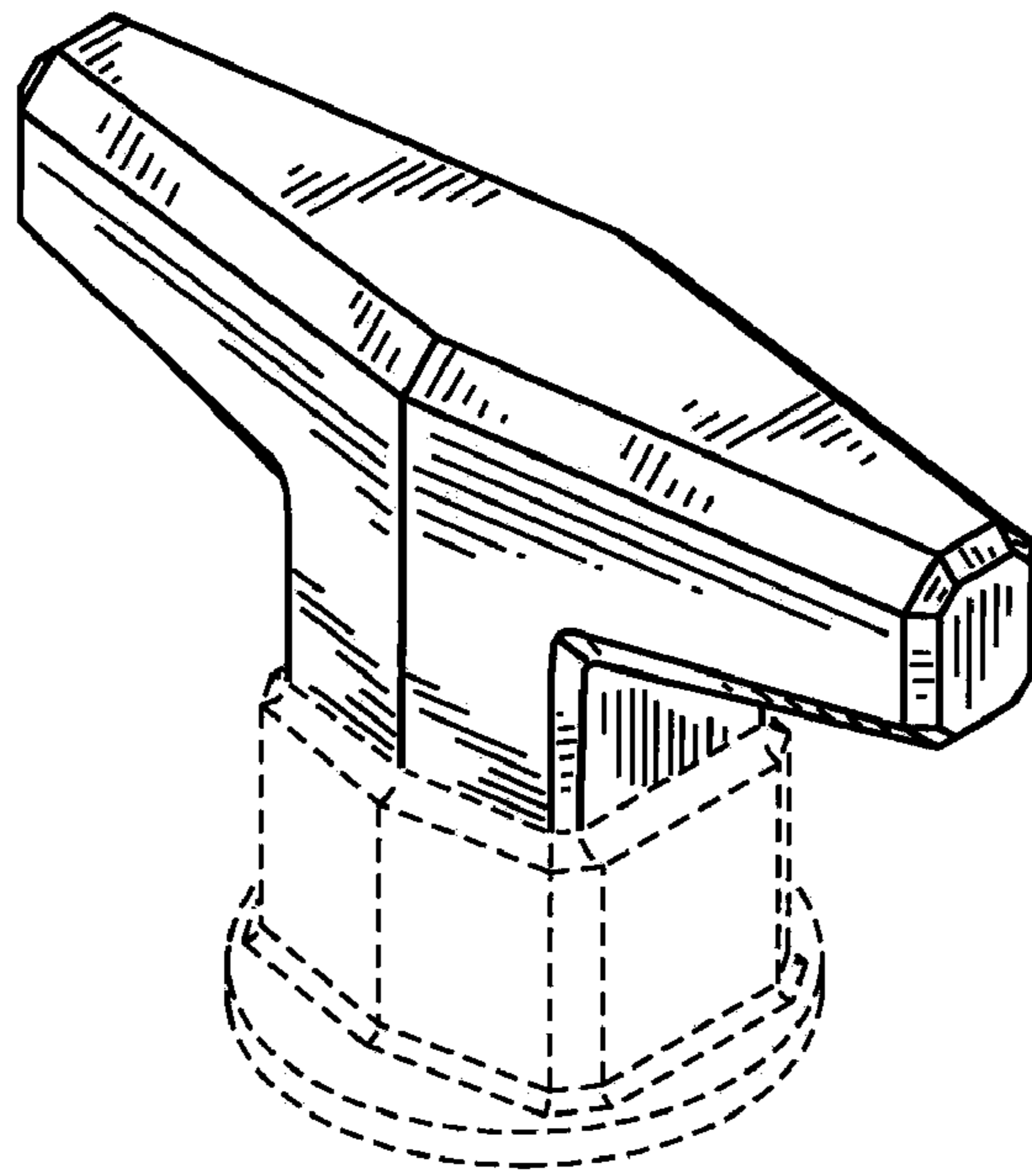


FIG. 1

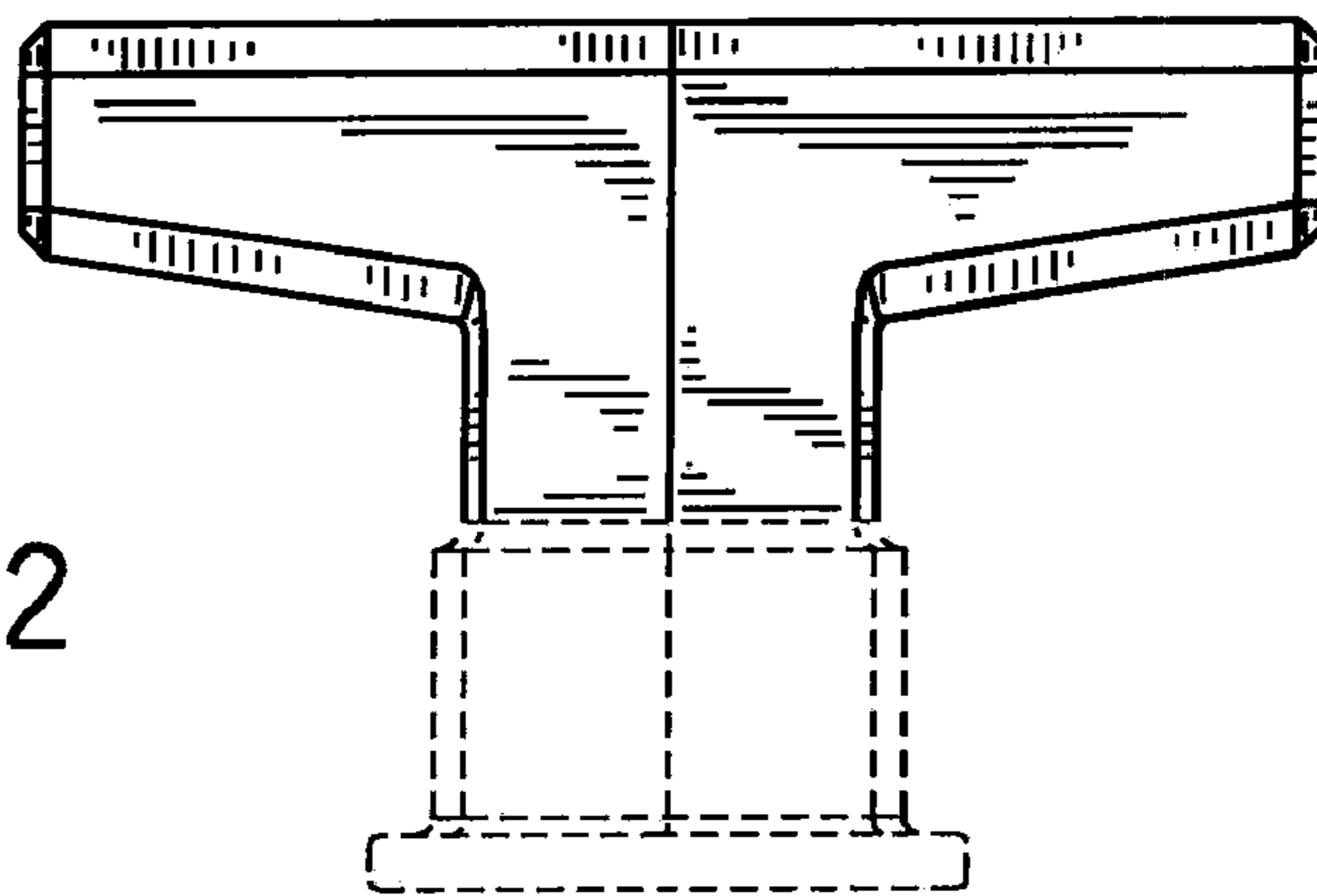


FIG. 2

FIG. 3

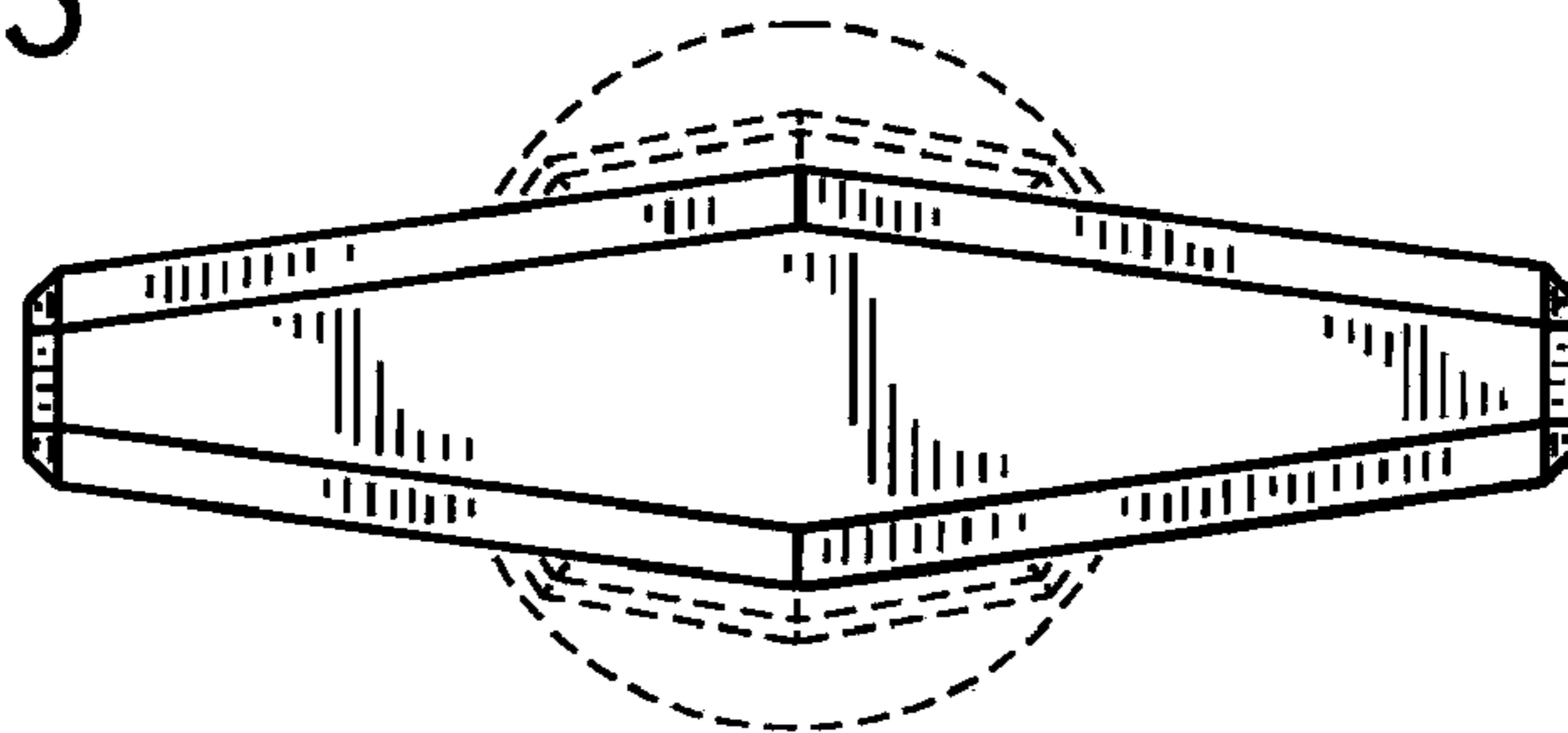


FIG. 4

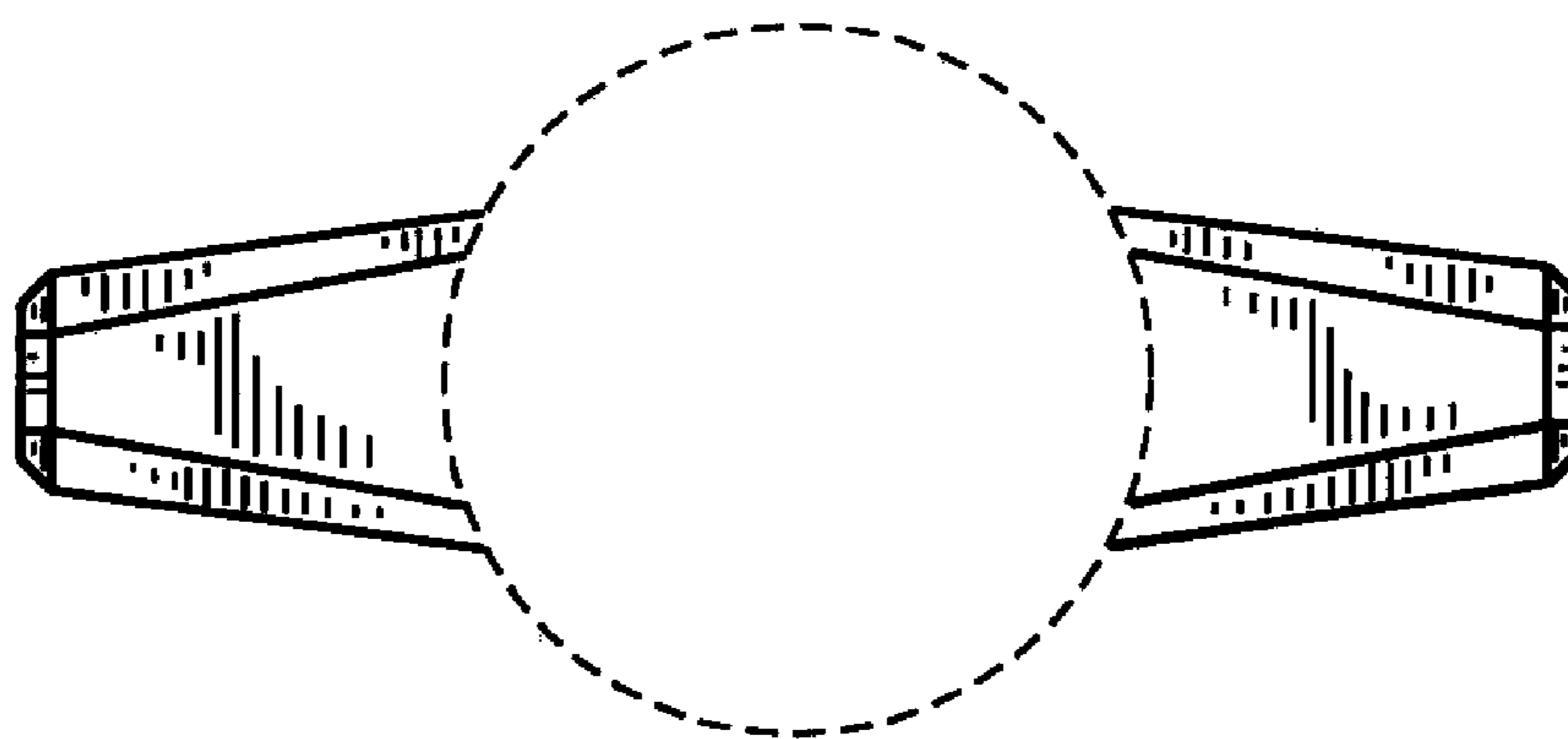
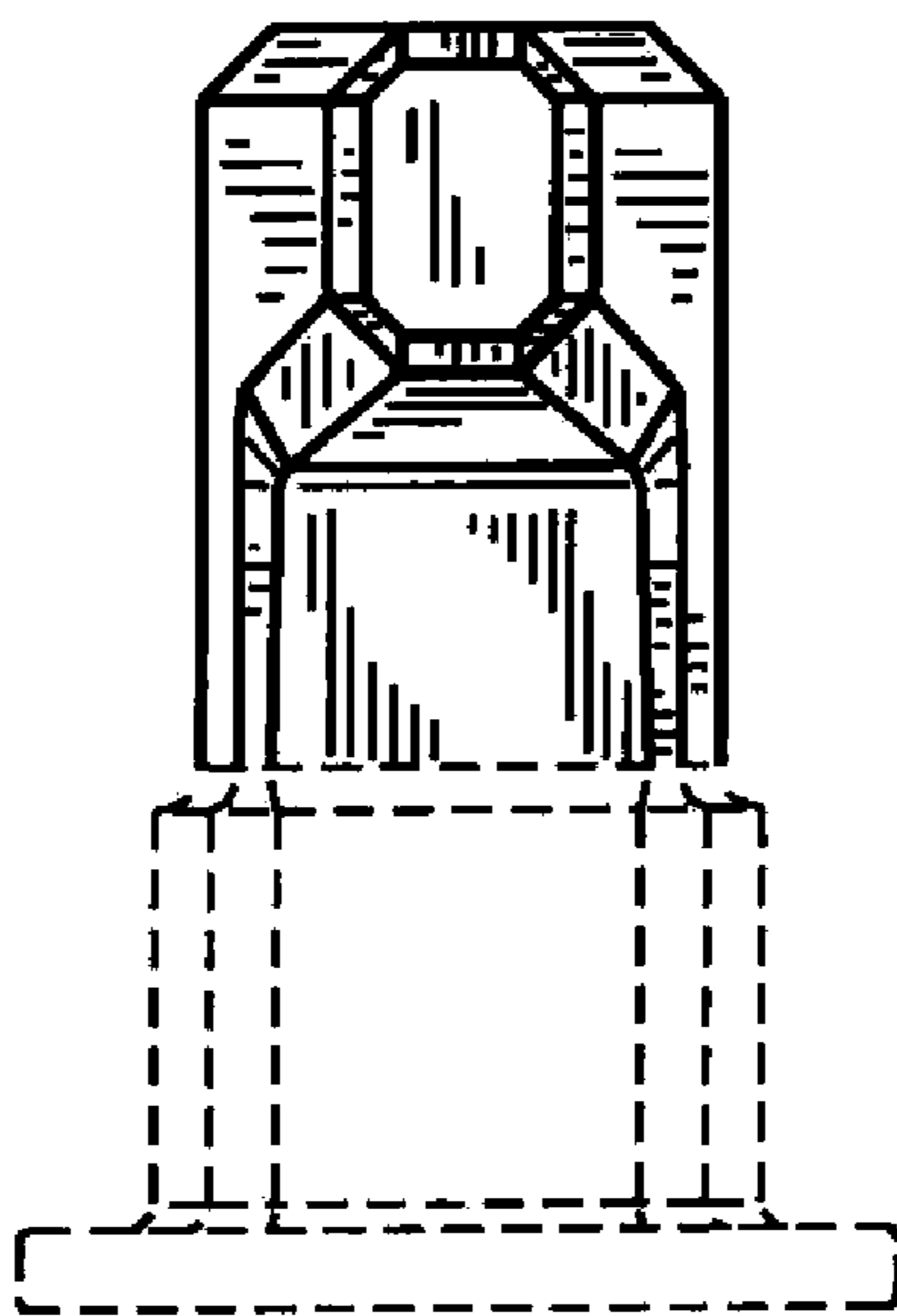


FIG. 5

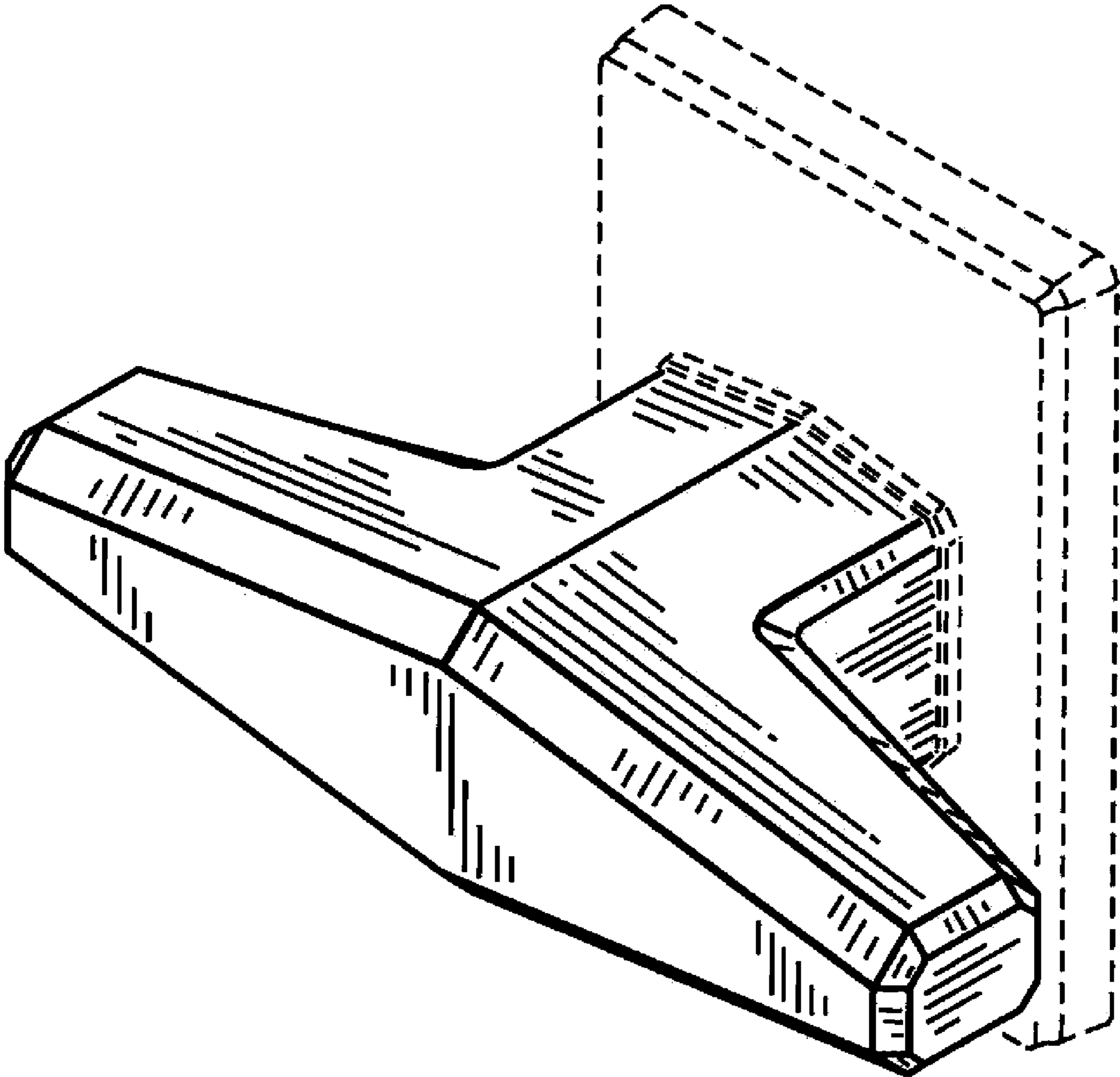


FIG. 6

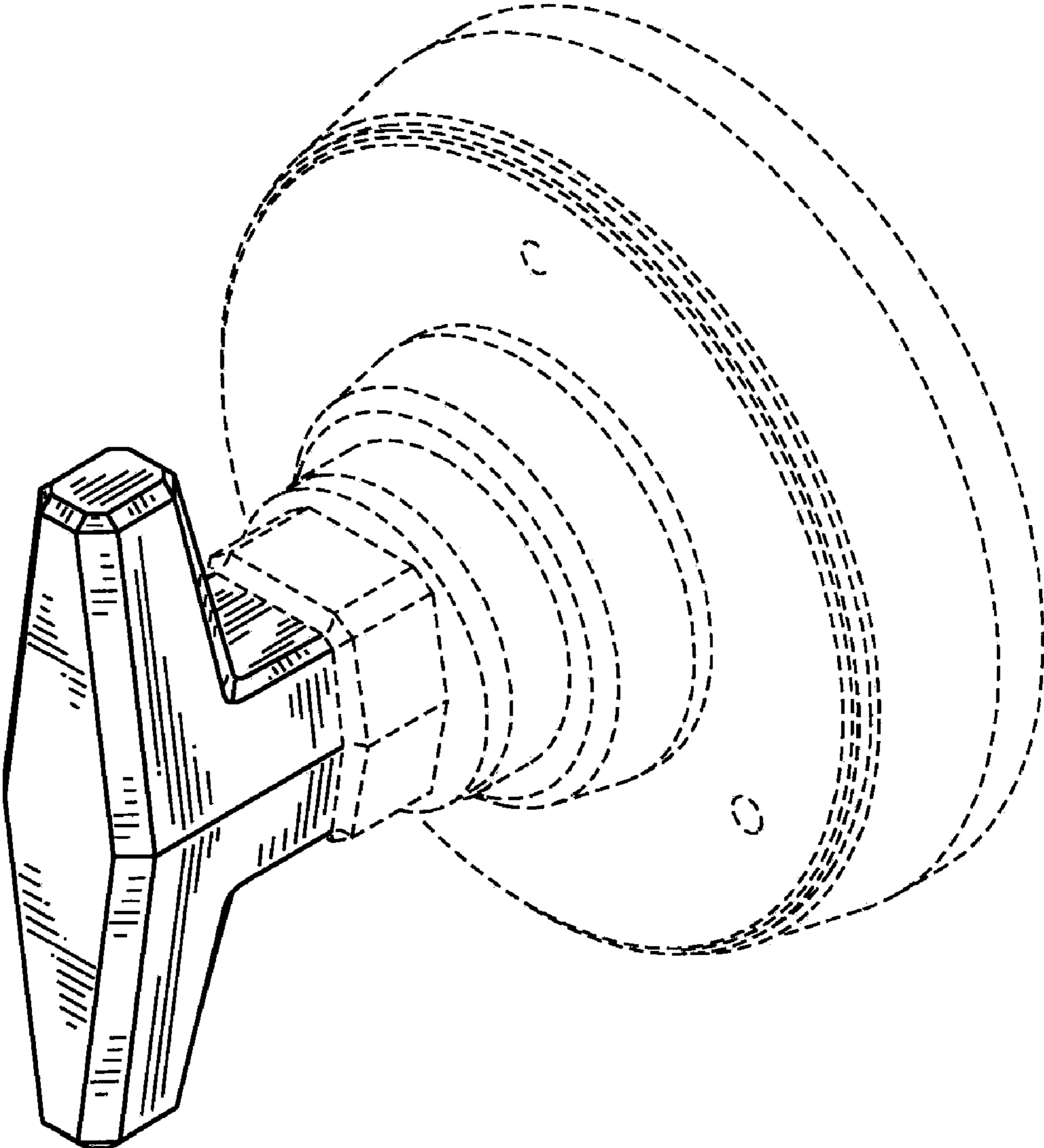


FIG. 7