



US00D613822S

(12) **United States Design Patent**  
**Hanna**

(10) **Patent No.:** **US D613,822 S**  
(45) **Date of Patent:** **\*\* Apr. 13, 2010**

(54) **PLUMBING FITTING**

(75) Inventor: **Ken S. Hanna**, Adell, WI (US)

(73) Assignee: **Kohler Co.**, Kohler, WI (US)

(\*\*) Term: **14 Years**

(21) Appl. No.: **29/341,384**

(22) Filed: **Aug. 4, 2009**

(51) **LOC (9) Cl.** ..... **23-01**

(52) **U.S. Cl.** ..... **D23/242**

(58) **Field of Classification Search** ..... D23/200,  
D23/238-257; D6/512, 546, 550; D8/300,  
D8/307-308, 310-312, 321; 4/675-678;  
137/801; 16/110.1, 441

See application file for complete search history.

(56) **References Cited**

**U.S. PATENT DOCUMENTS**

D265,229 S *	6/1982	Paul	.....	D23/242
D290,991 S	7/1987	Paul		
D302,202 S	7/1989	Paul		
D421,486 S *	3/2000	Slothower et al.	.....	D23/255
D479,740 S *	9/2003	Citterio	.....	D23/242
D492,392 S	6/2004	Pohl et al.		
D493,210 S *	7/2004	Citterio	.....	D23/238
D509,283 S *	9/2005	Sieger	.....	D23/238
D510,612 S	10/2005	Lammel et al.		
D512,484 S	12/2005	Paini		
D513,635 S *	1/2006	Haug et al.	.....	D23/238
D515,671 S	2/2006	Toyohara		
D524,913 S *	7/2006	Chu et al.	.....	D23/239
D526,699 S *	8/2006	Kulig	.....	D23/238
D527,796 S *	9/2006	Lammel	.....	D23/239
D534,991 S	1/2007	Sieger		
D536,065 S	1/2007	Wang		
D540,916 S	4/2007	Toyohara		
D554,743 S	11/2007	Sieger		

(Continued)

**FOREIGN PATENT DOCUMENTS**

DE 000002175-0003 5/2003

(Continued)

**OTHER PUBLICATIONS**

Hastings Bath Collection. "Riviera 3 Hole Basin Set—Ribbon Spout". Model No. Fan C 4204. HomePortfolio.com online catalog. Copyright 1997-2008 HomePortfolio Inc.

(Continued)

*Primary Examiner*—T. Chase Nelson

*Assistant Examiner*—Mark Cavanna

(74) *Attorney, Agent, or Firm*—Quarles & Brady LLP

(57) **CLAIM**

The ornamental design for a plumbing fitting, as shown and described.

**DESCRIPTION**

FIG. 1 is a left, top, front perspective view of the first embodiment of a plumbing fitting showing my new design

FIG. 2 is a front elevational view thereof;

FIG. 3 is a rear elevational view thereof;

FIG. 4 is a left side elevational view thereof;

FIG. 5 is a right side elevational view thereof;

FIG. 6 is a top plan view thereof;

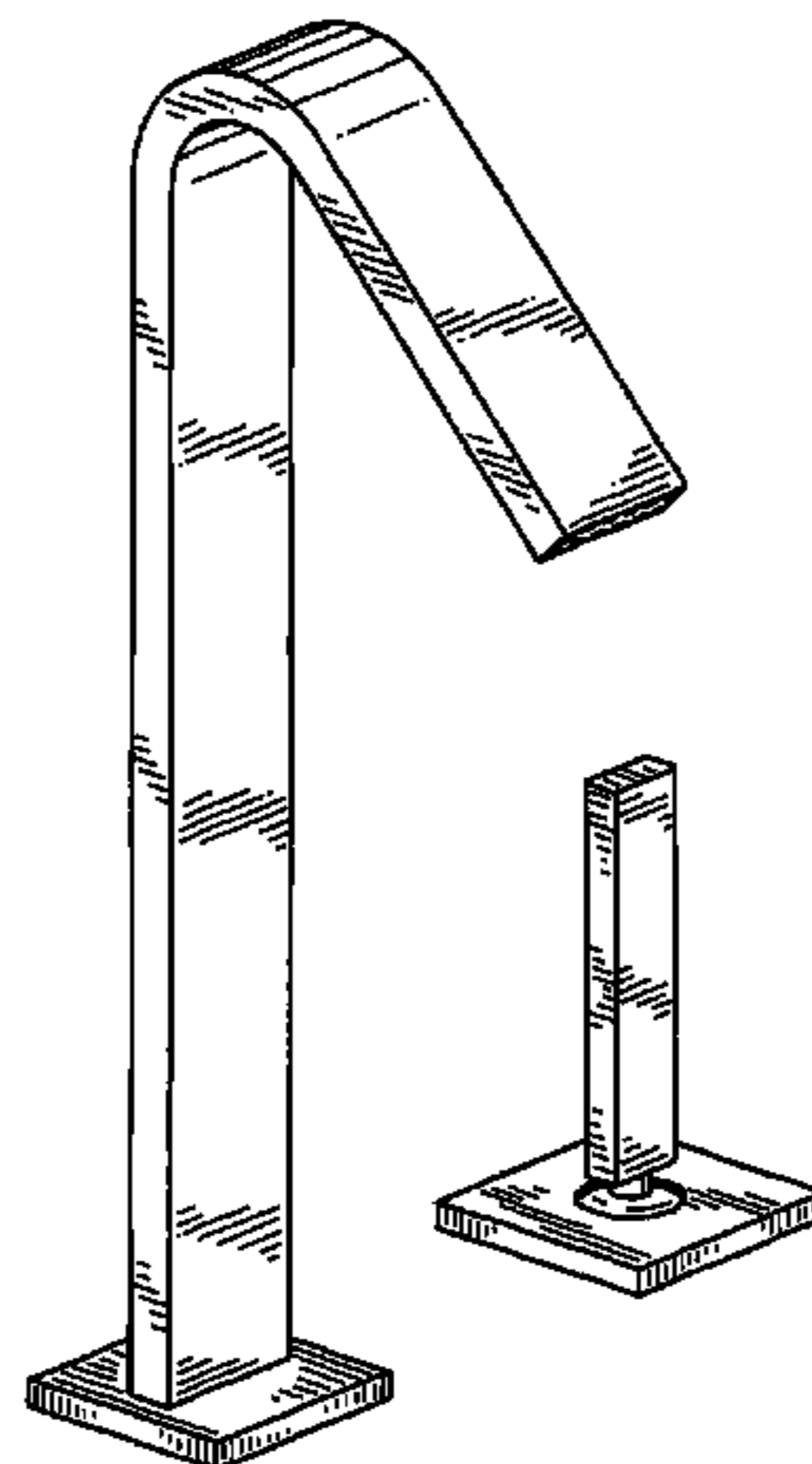
FIG. 7 is a bottom plan view thereof; and,

FIG. 8 is a right, top, front perspective view of the second embodiment of a plumbing fitting according. The front, rear, left side, and right side elevational views and the top and bottom plan views thereof being mirror images of FIGS. 2-7 above.

The broken lines are included for the purpose of illustrating portions of the plumbing fitting that form no part of the claimed design.

In a preferred embodiment, the nature of this product is a plumbing fitting in the form of a faucet, having a spout and control handle, for washing various items.

**1 Claim, 8 Drawing Sheets**



# US D613,822 S

Page 2

## U.S. PATENT DOCUMENTS

D566,238 S \* 4/2008 Lammel et al. .... D23/239  
D566,815 S \* 4/2008 Wang ..... D23/242  
D567,908 S \* 4/2008 Semchuck et al. .... D23/238  
D570,450 S 6/2008 Dolan  
D570,960 S \* 6/2008 Semchuck et al. .... D23/238  
D573,231 S \* 7/2008 Kulig ..... D23/242  
D580,520 S \* 11/2008 Ko ..... D23/241  
D585,110 S \* 1/2009 Painsi ..... D23/238  
D589,596 S \* 3/2009 Painter et al. .... D23/240  
D603,481 S \* 11/2009 Zetsche et al. .... D23/242

## FOREIGN PATENT DOCUMENTS

DE 000002175-0004 5/2003  
DE 000309455-0045 5/2005  
DE 000589593-0016 7/2006  
DE 000589593-0012 11/2006  
DE 000886650-0039 3/2008  
GB 000396908-0005 11/2005  
IT 000049648-0002 11/2003  
IT 000131990-0001 7/2004  
IT 000131990-0002 7/2004  
IT 000131990-0004 7/2004  
IT 000131990-0005 7/2004  
IT 000274196-0003 3/2005  
IT 000702667-0009 5/2007  
IT 000702667-0010 5/2007  
IT 000702667-0011 5/2007  
IT 000702667-0012 5/2007  
IT 000702667-0013 5/2007

IT 000702667-0014 5/2007  
IT 000702667-0015 5/2007  
IT 000702667-0016 5/2007  
IT 000852157-0006 2/2008  
IT 001009989-0001 10/2008  
PT 001031660-00008 11/2008  
WO DM/062669 3/2003  
WO DM/063986 8/2003

## OTHER PUBLICATIONS

Dornbracht. "MEM Three-Hole Basin Mixer". Trendir.com online catalog.

Danze. "Sirius Collection—Widespread Lavatory Faucets". Model No. D301444. HomeClick.com online catalog. Copyright 2000-2008 Home Decor Products, Inc.

American Standard. "Moments Widespread Faucet". Model No. 2506.821. HomePortfolio.com online catalog. Copyright 1997-2008 HomePortfolio Inc.

American Standard. "Moments Widespread Faucet". Model No. 2506.801. HomePortfolio.com online catalog. Copyright 1997-2008 HomePortfolio Inc.

Newform. "E-go-n" and "Base" faucets.

SignatureHardware. "Whittington Collection—Flat Cubic Roman Tub Faucet". SignatureHardware.com online catalog. copyright 1999-2008 SignatureHardware.com or its affiliates.

Atari. Joystick.

WS Bath Collections. Hydrus 01-02—Basin (deck) Faucet—solid massive stainless steel. HomePortfolio.com online catalog. Copyright 1997-2008 HomePortfolio Inc.

\* cited by examiner

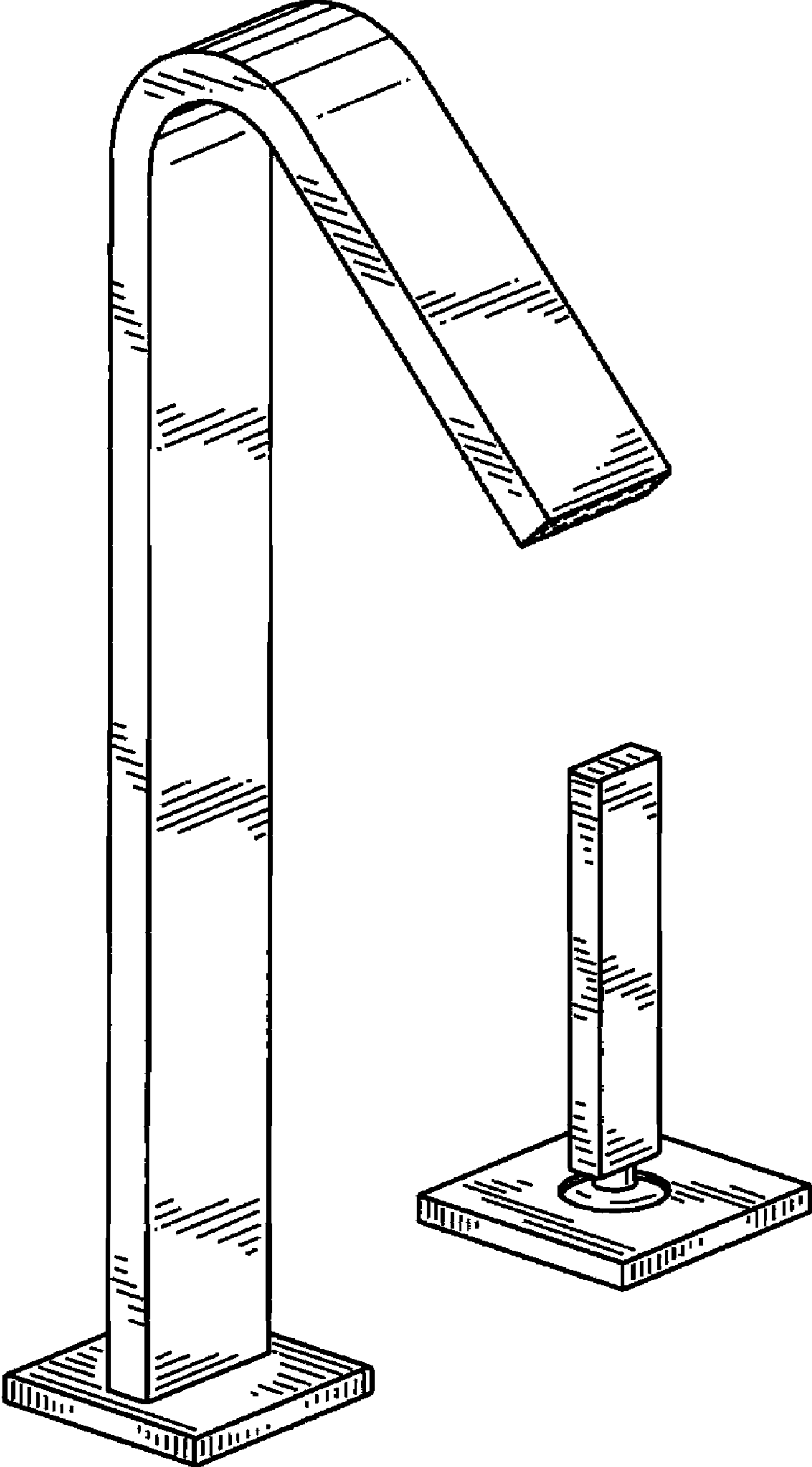


FIG. 1

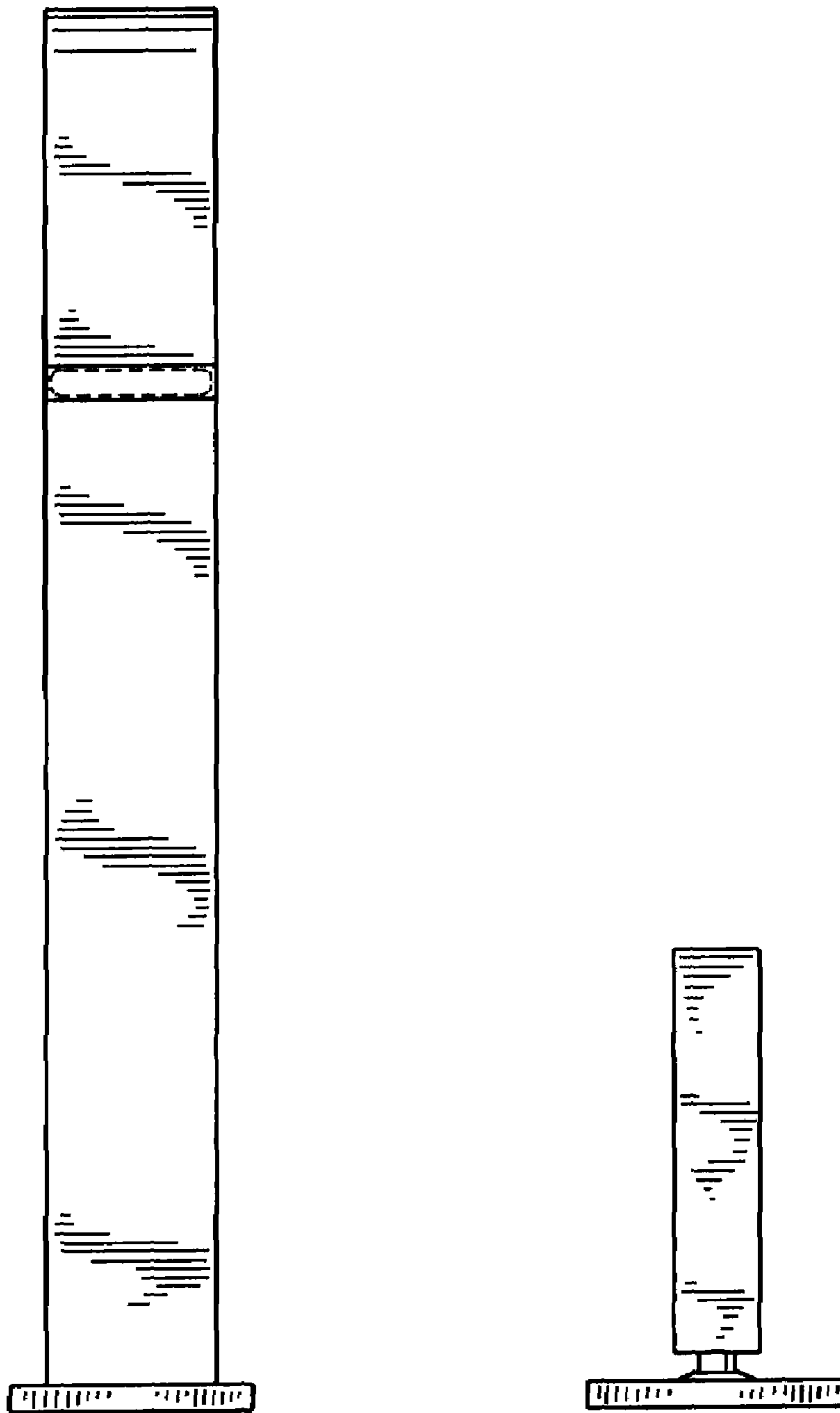


FIG. 2

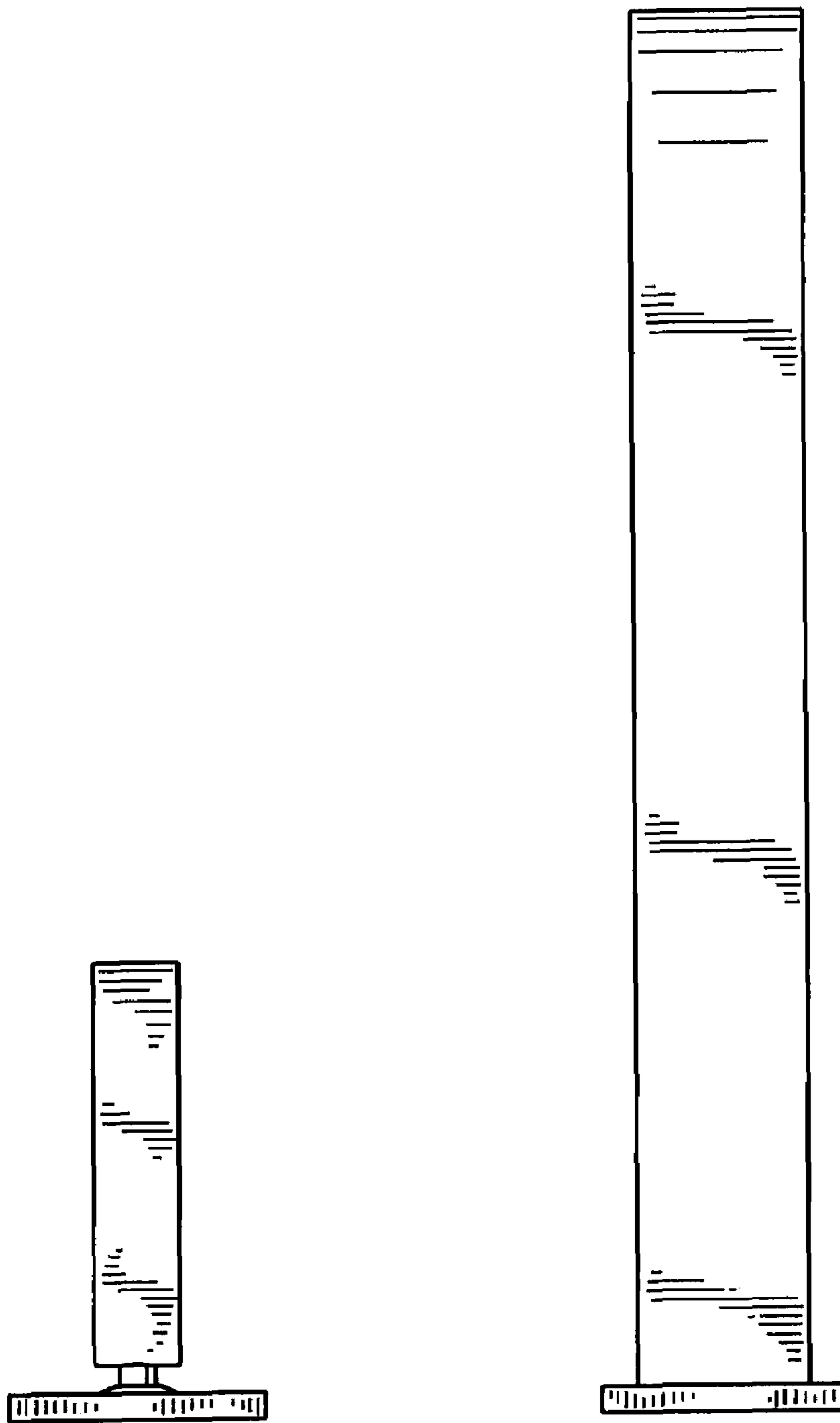


FIG. 3

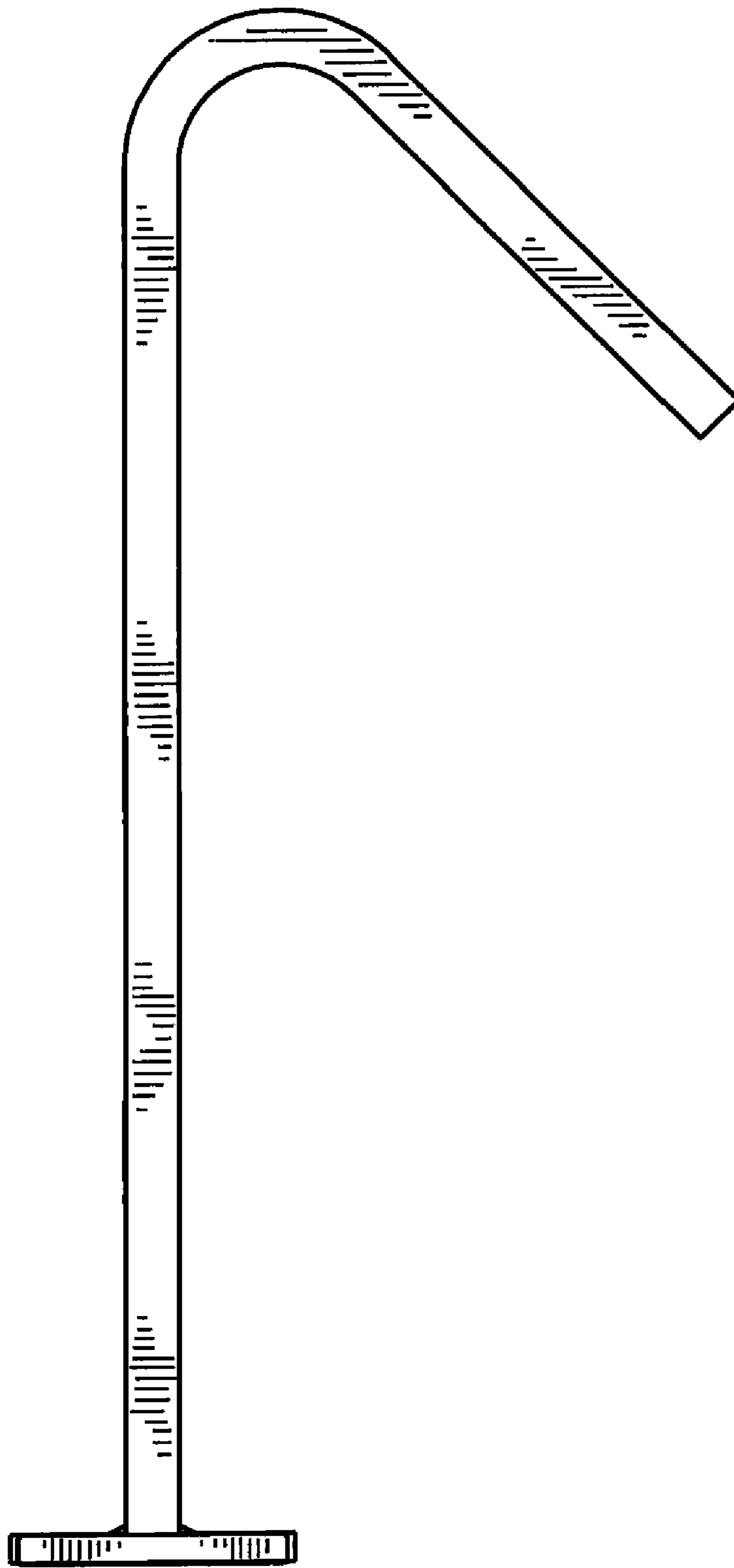


FIG. 4

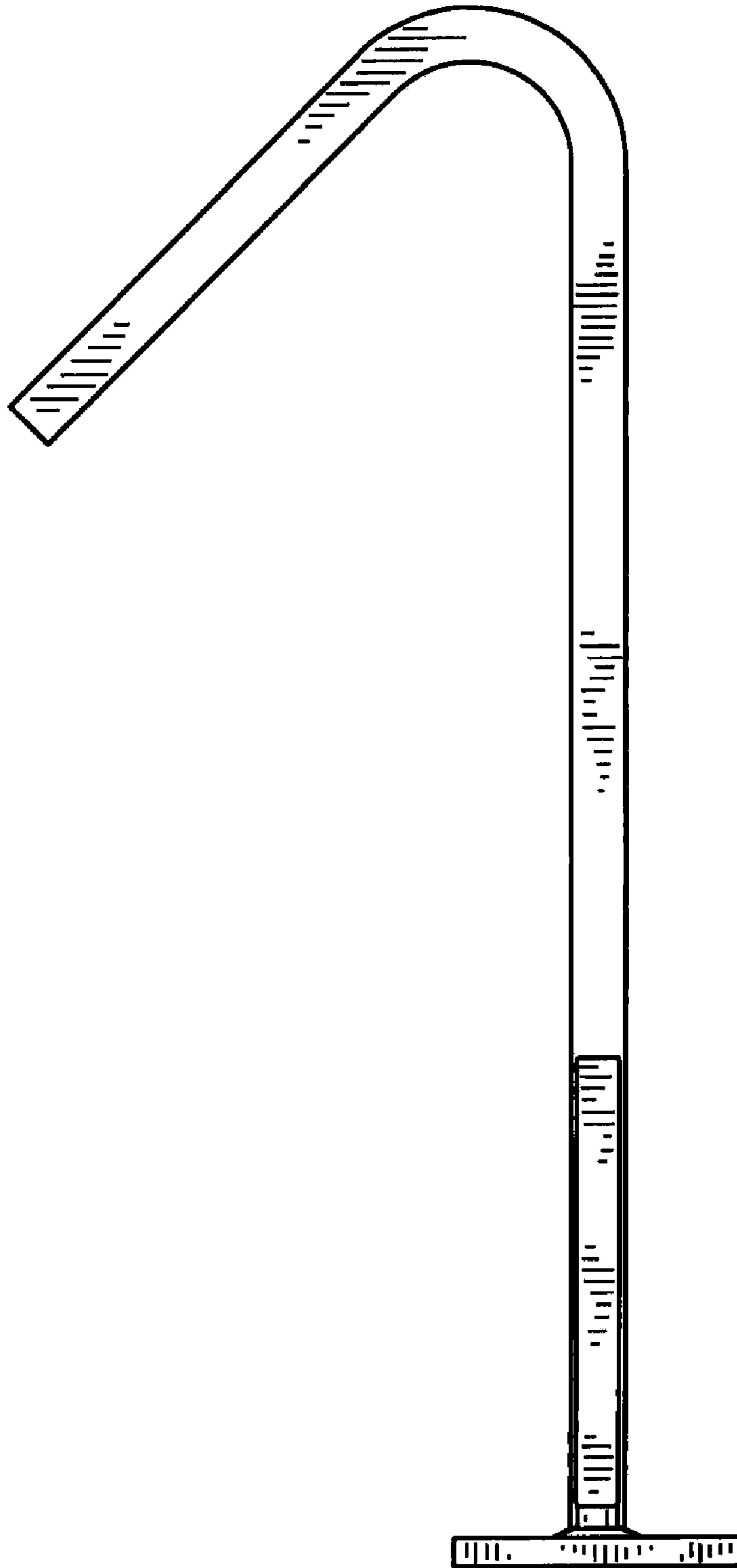


FIG. 5

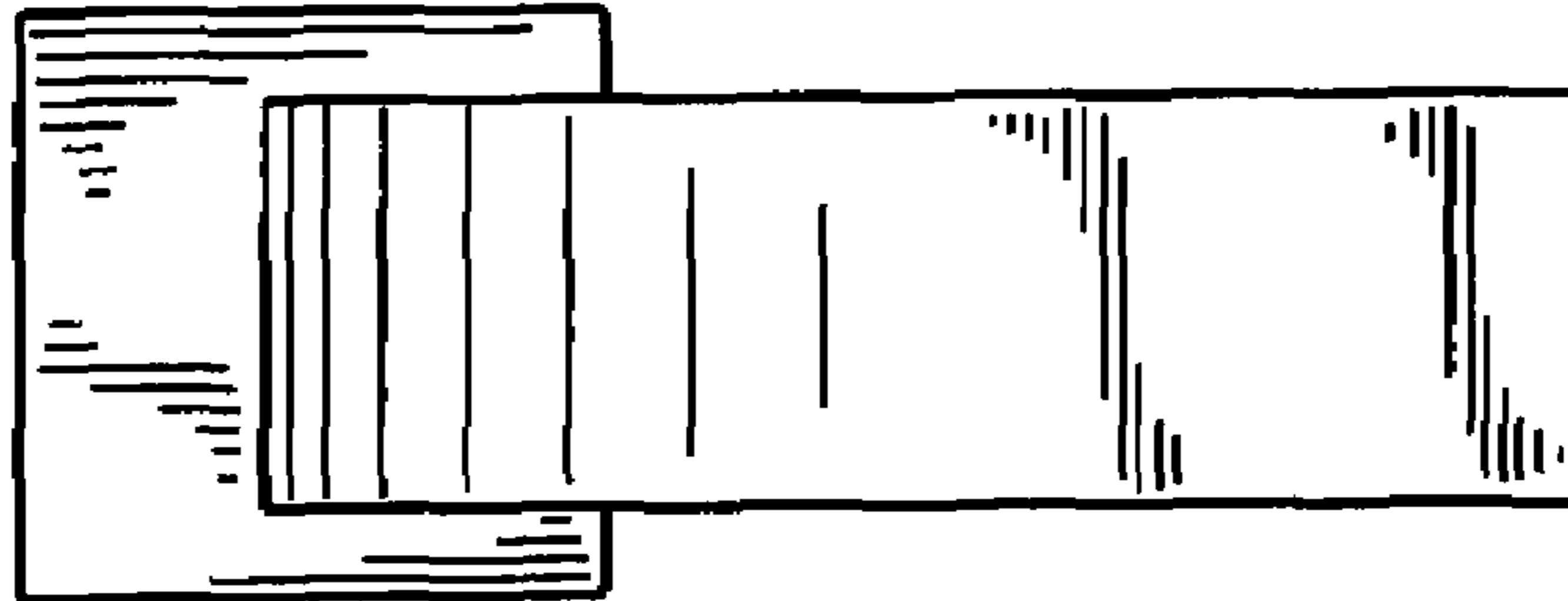
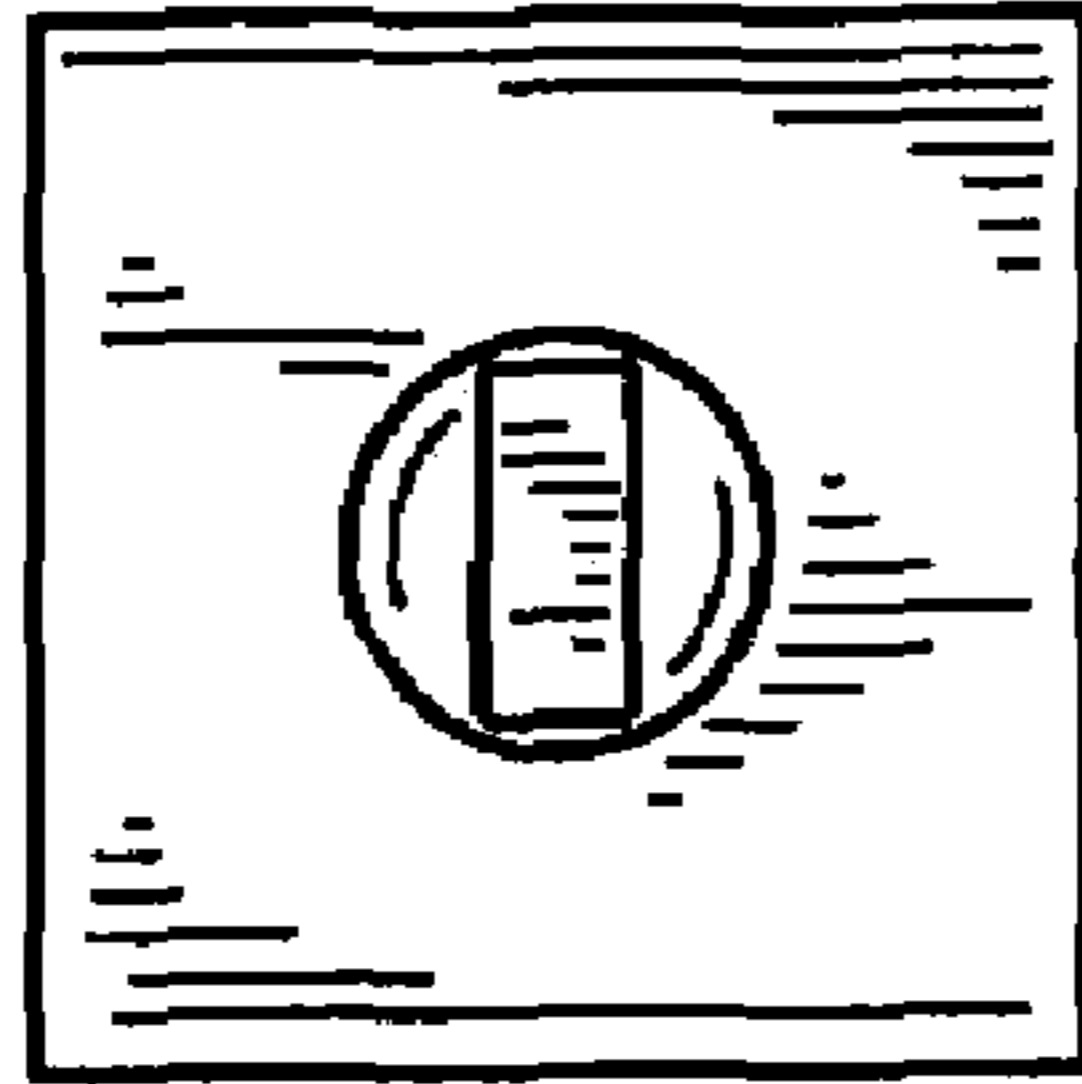


FIG. 6



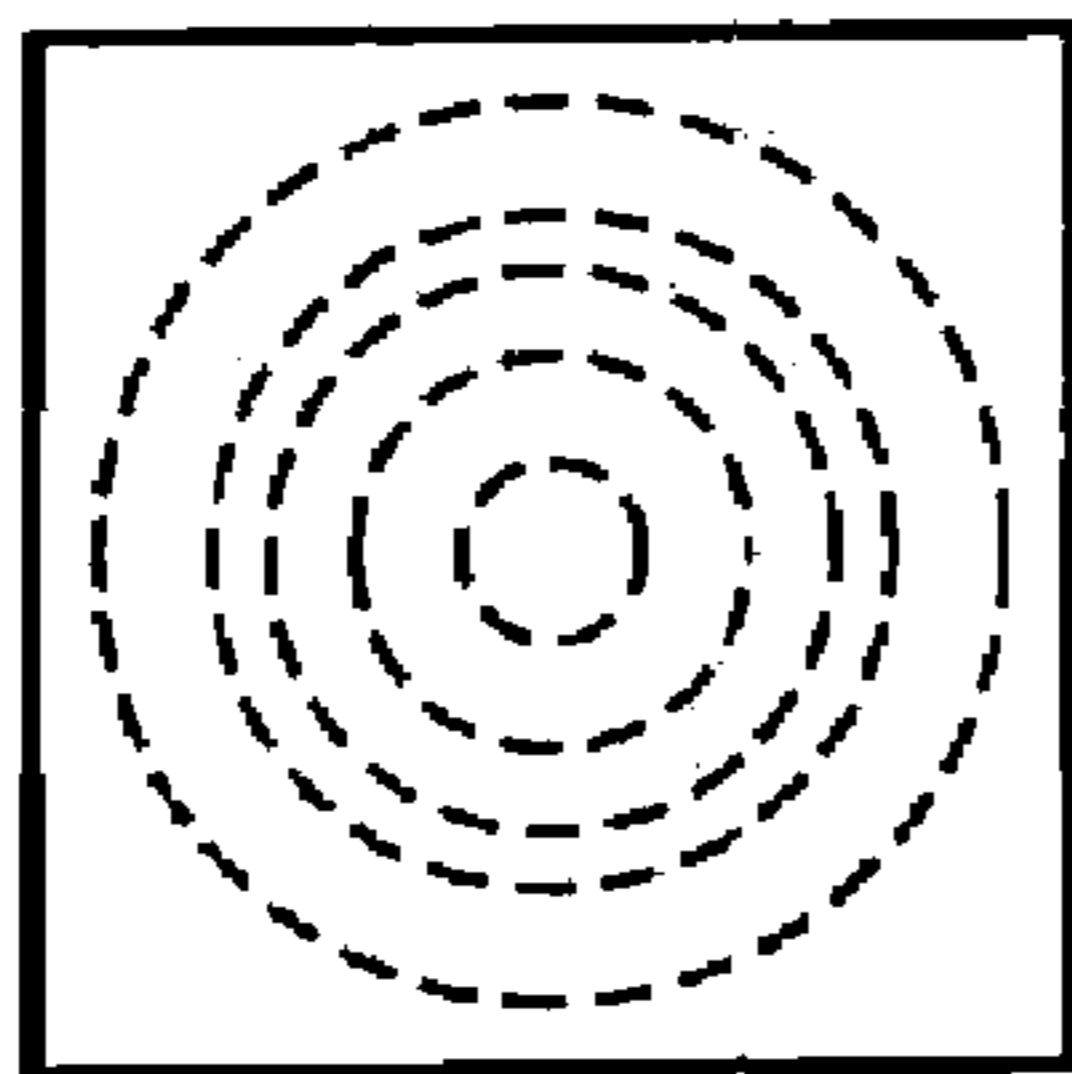
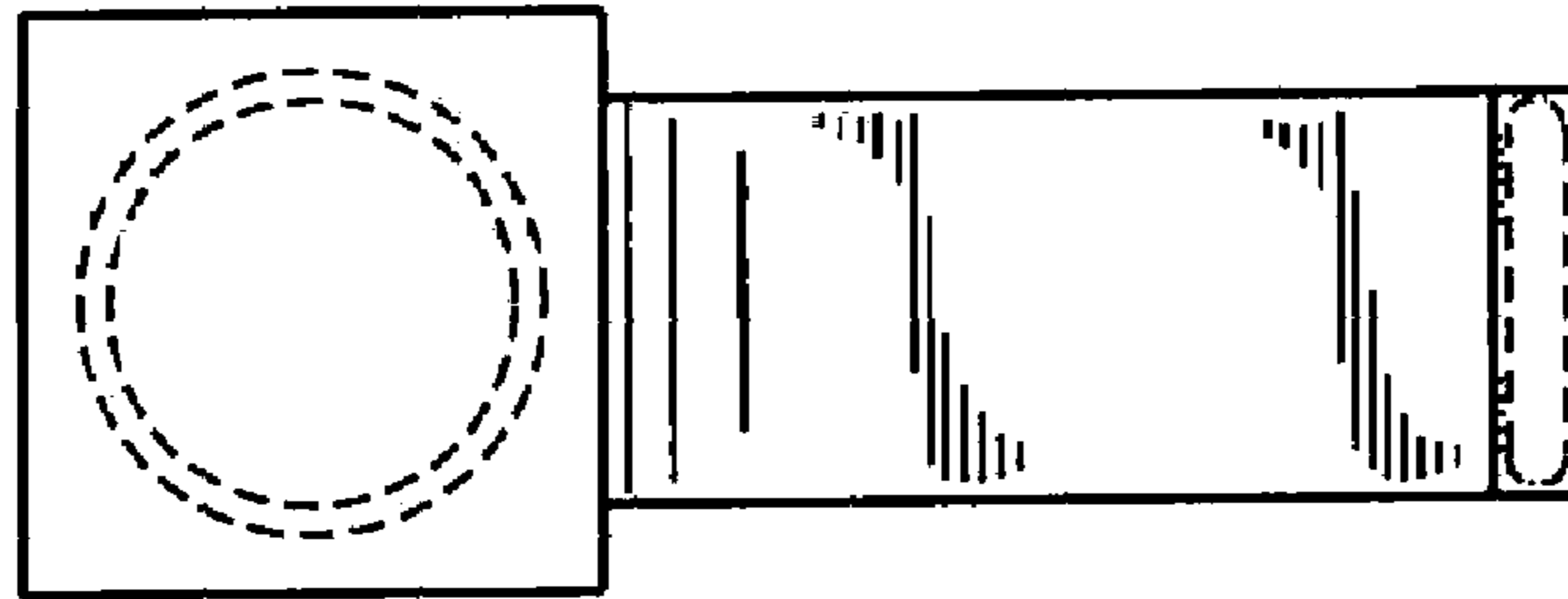


FIG. 7

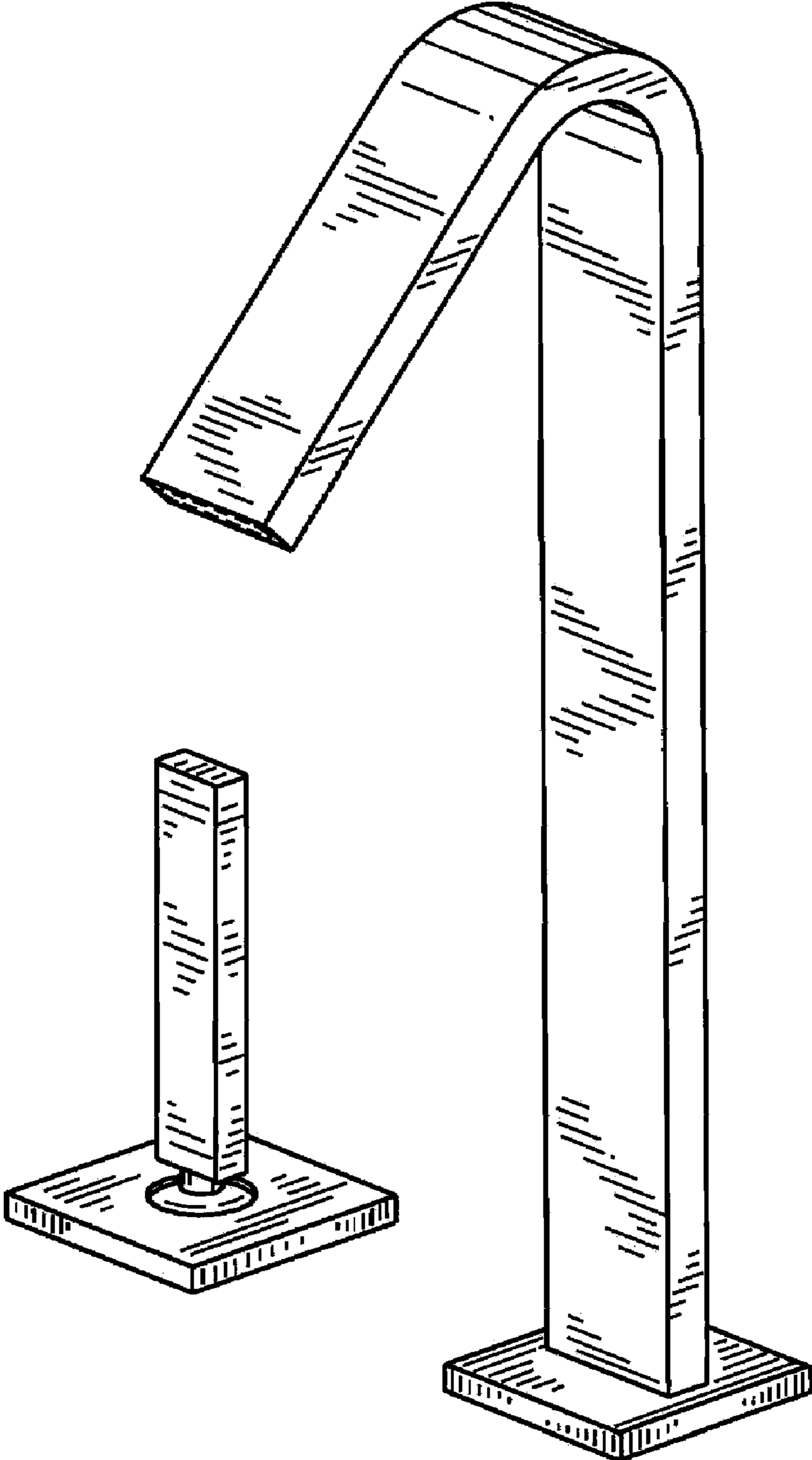


FIG. 8