



US00D613821S

(12) **United States Design Patent**  
**Childs et al.**

(10) **Patent No.:** **US D613,821 S**

(45) **Date of Patent:** **\*\* Apr. 13, 2010**

(54) **SET OF NOZZLES FOR A PORTABLE SPRAYER**

4,192,463 A \* 3/1980 Yxfeldt ..... 239/289  
6,219,922 B1 \* 4/2001 Campbell et al. .... 30/124

(75) Inventors: **Daniel K. Childs**, Chicago, IL (US);  
**Gregory J. Holderfield**, Oak Park, IL (US)

\* cited by examiner

*Primary Examiner*—Robin V Webster  
(74) *Attorney, Agent, or Firm*—Cook Alex, Ltd.

(73) Assignee: **Clarke Consumer Products, Inc.**,  
Roselle, IL (US)

(57) **CLAIM**

(\*\*) Term: **14 Years**

The ornamental design for set of nozzles for a portable sprayer, as shown and described.

(21) Appl. No.: **29/233,182**

**DESCRIPTION**

(22) Filed: **Jun. 29, 2005**

FIG. 1 is a perspective view of our new design for a nozzle for a portable sprayer;

(51) **LOC (9) Cl.** ..... **23-01**

FIG. 2 is a right side elevation view thereof;

(52) **U.S. Cl.** ..... **D23/225; D23/213**

FIG. 3 is a left side elevation view thereof;

(58) **Field of Classification Search** ..... D23/213,

FIG. 4 is a front elevation view thereof;

D23/225, 211.1, 211.2; D9/742, 434, 516;

FIG. 5 is a rear elevation view thereof;

239/304, 353, 355, 356, 398; 138/121–122

FIG. 6 is a top plan view thereof; and,

See application file for complete search history.

FIG. 7 is a bottom plan view thereof.

(56) **References Cited**

The broken line portion of the sprayer housing in FIGS. 1–7 is for illustrative purposes only and forms no part of the claimed invention.

**U.S. PATENT DOCUMENTS**

- 3,699,684 A \* 10/1972 Sixt ..... 405/49
- 3,926,222 A \* 12/1975 Shroy et al. .... 138/122
- 3,976,578 A \* 8/1976 Beane ..... 210/484
- 4,113,818 A \* 9/1978 Drossbach ..... 264/154

**1 Claim, 4 Drawing Sheets**

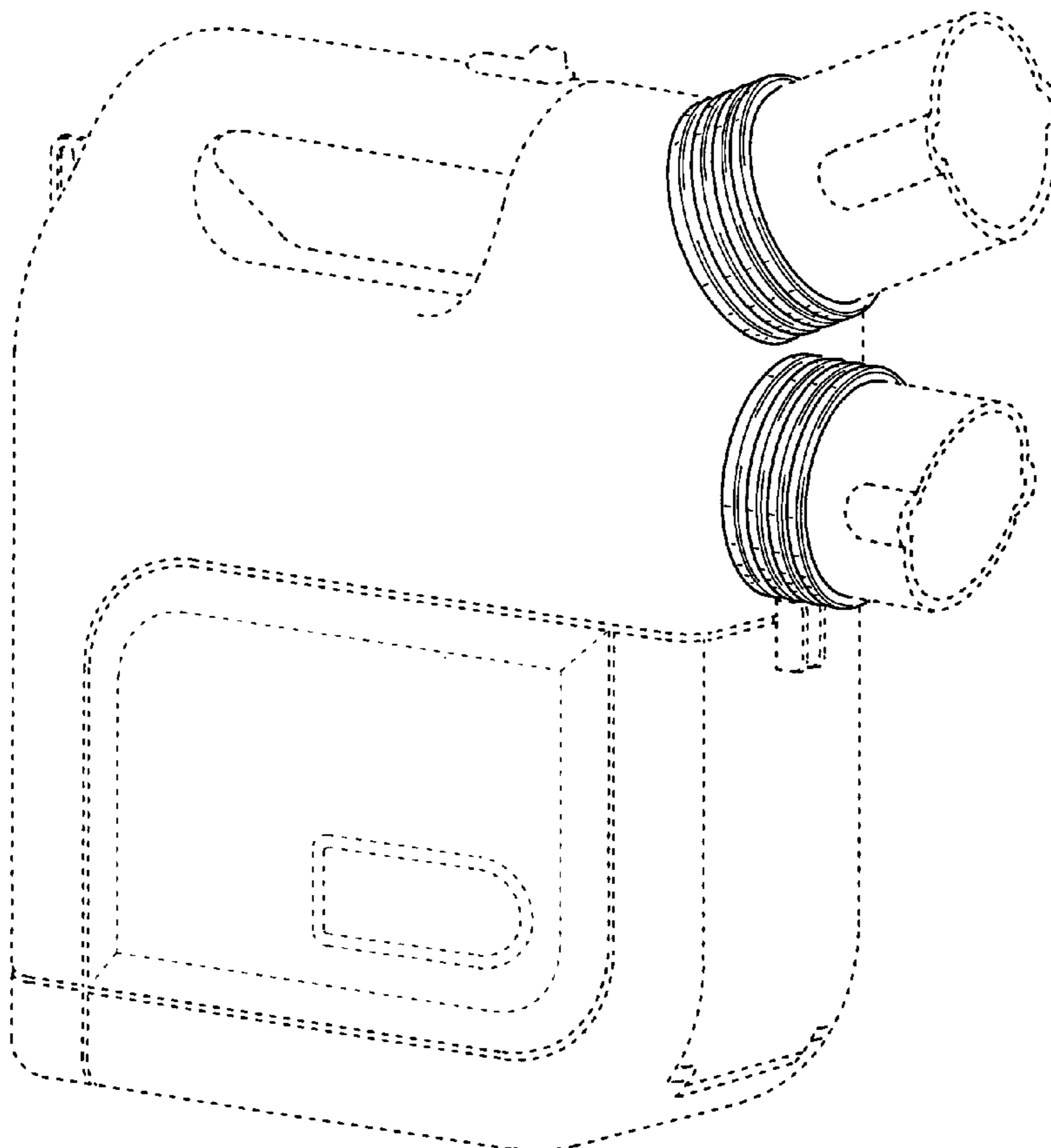
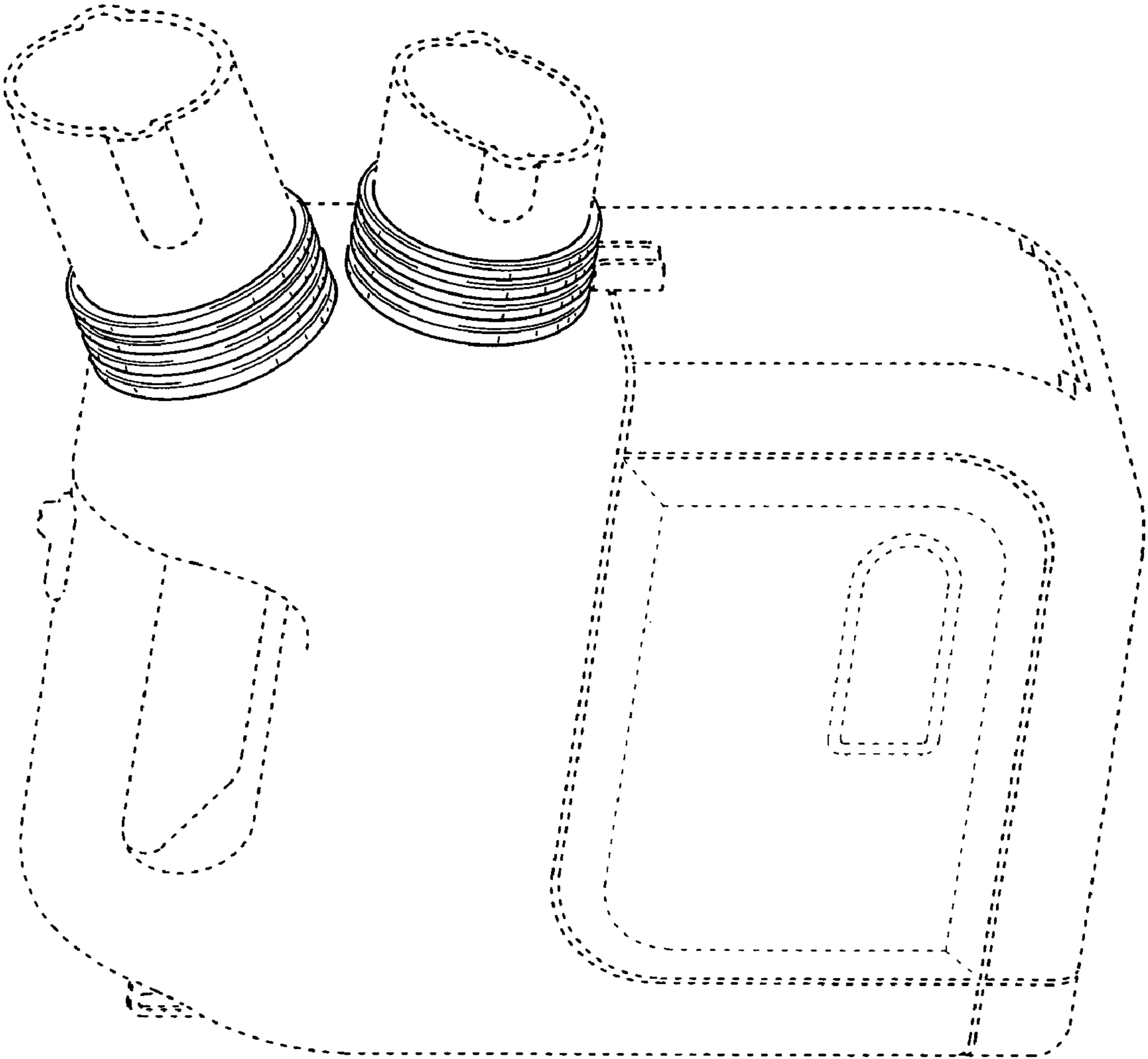


Fig. 1



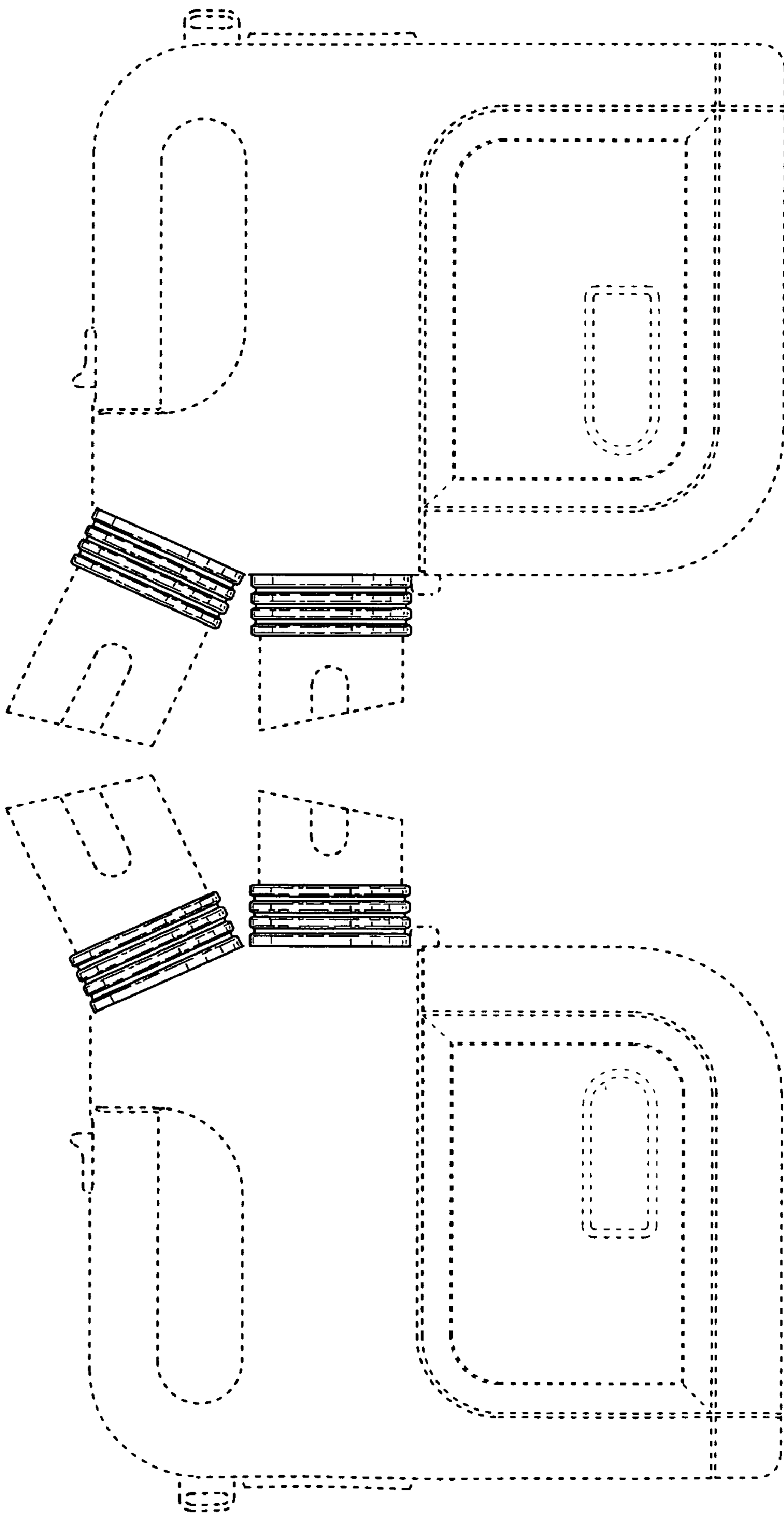


Fig. 3

Fig. 2

Fig. 5

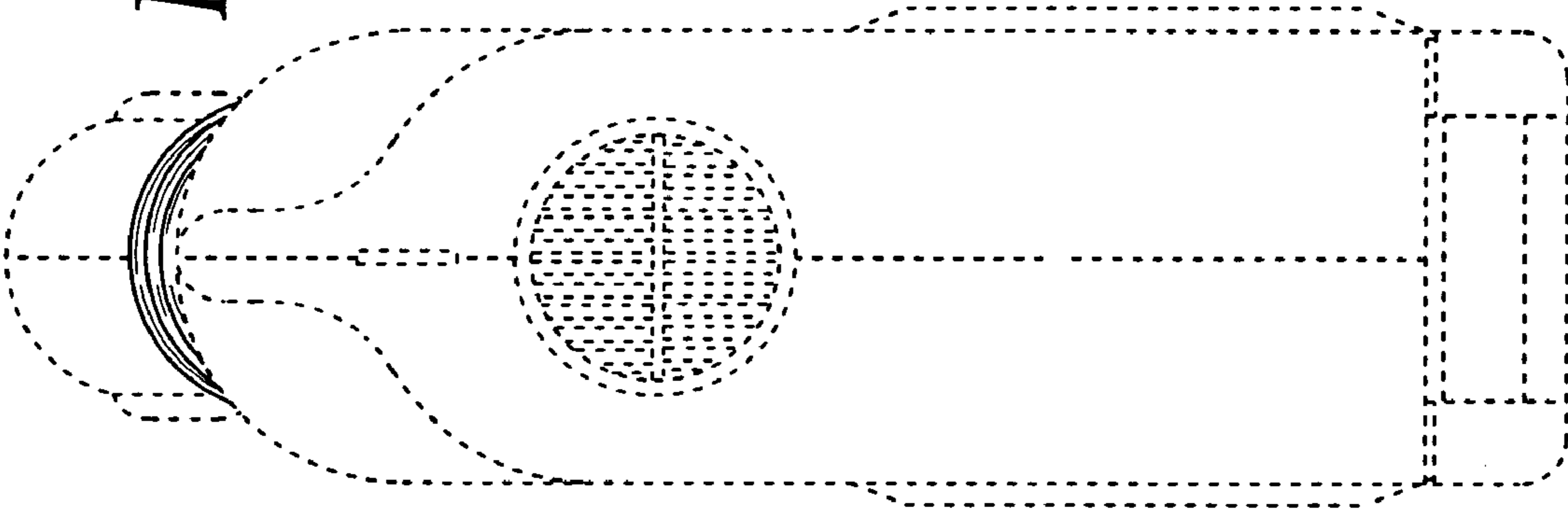


Fig. 4

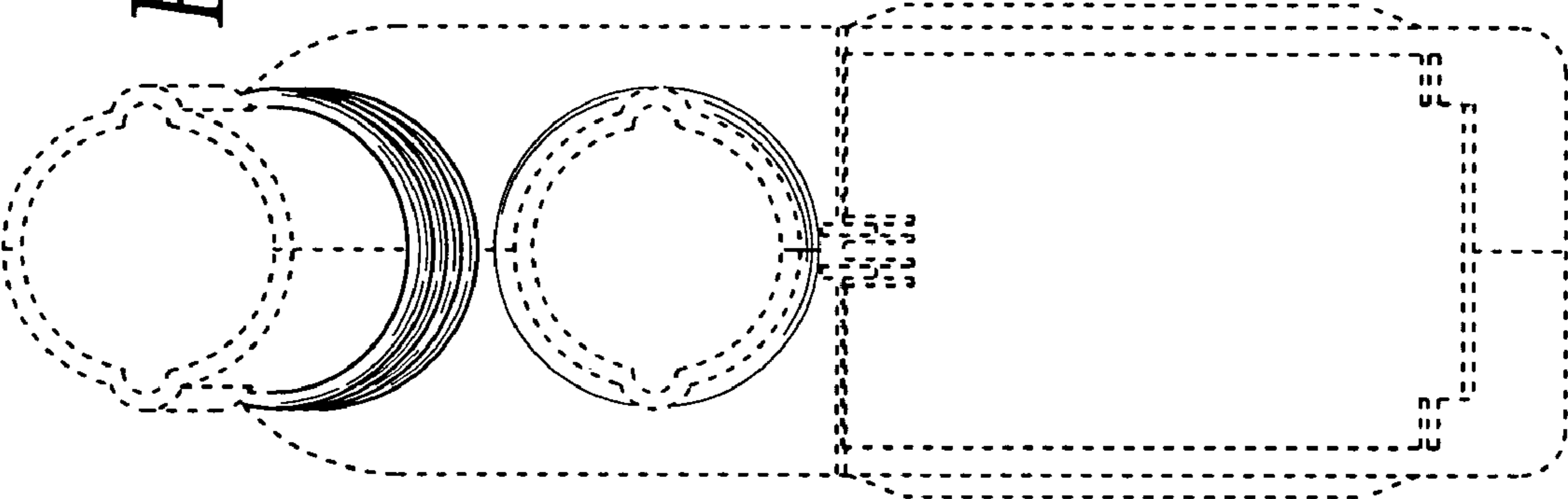


Fig. 7

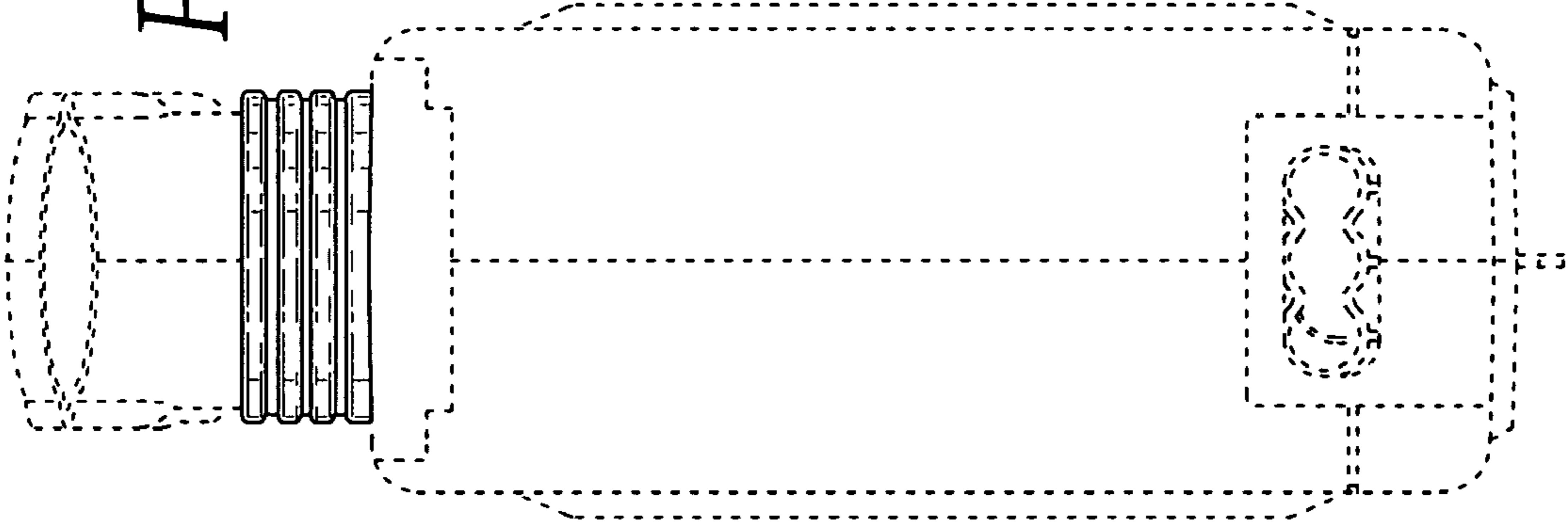


Fig. 6

