



US00D613820S

(12) **United States Design Patent**  
**Chou**

(10) **Patent No.:** **US D613,820 S**  
(45) **Date of Patent:** **\*\* Apr. 13, 2010**

(54) **MAIN BODY OF POWER GUN**

(76) Inventor: **Alex Chou**, NO.8, Lane 191, Xinfang Rd, Tali City, Taichung Hsien (TW)

(\*\*) Term: **14 Years**

(21) Appl. No.: **29/336,803**

(22) Filed: **May 8, 2009**

(51) **LOC (9) Cl.** ..... **23-01**

(52) **U.S. Cl.** ..... **D23/223**

(58) **Field of Classification Search** ..... D23/213,  
D23/223, 226, 229–230; 239/690–691, DIG. 14,  
239/525–526

See application file for complete search history.

(56) **References Cited**

**U.S. PATENT DOCUMENTS**

D358,450 S *	5/1995	Casey	.....	D23/223
D372,517 S *	8/1996	Farnsteiner	.....	D23/223
D542,378 S *	5/2007	Jou	.....	D23/223
D565,153 S *	3/2008	Downey et al.	.....	D23/223
7,341,504 B1 *	3/2008	Chen	.....	451/90
D574,059 S *	7/2008	Huang	.....	D23/223

D582,511 S \* 12/2008 Downey et al. .... D23/223

\* cited by examiner

*Primary Examiner*—Robin V Webster

(74) *Attorney, Agent, or Firm*—Banger Shia

(57) **CLAIM**

The ornamental design for the main body of power gun, as show and described.

**DESCRIPTION**

FIG. 1 is an upper rear perspective view of “the main body of power gun” showing the new design thereof;

FIG. 2 is a bottom front perspective view of the main body of power gun showing the new design thereof;

FIG. 3 is a right side view thereof;

FIG. 4 is a left plan view thereof;

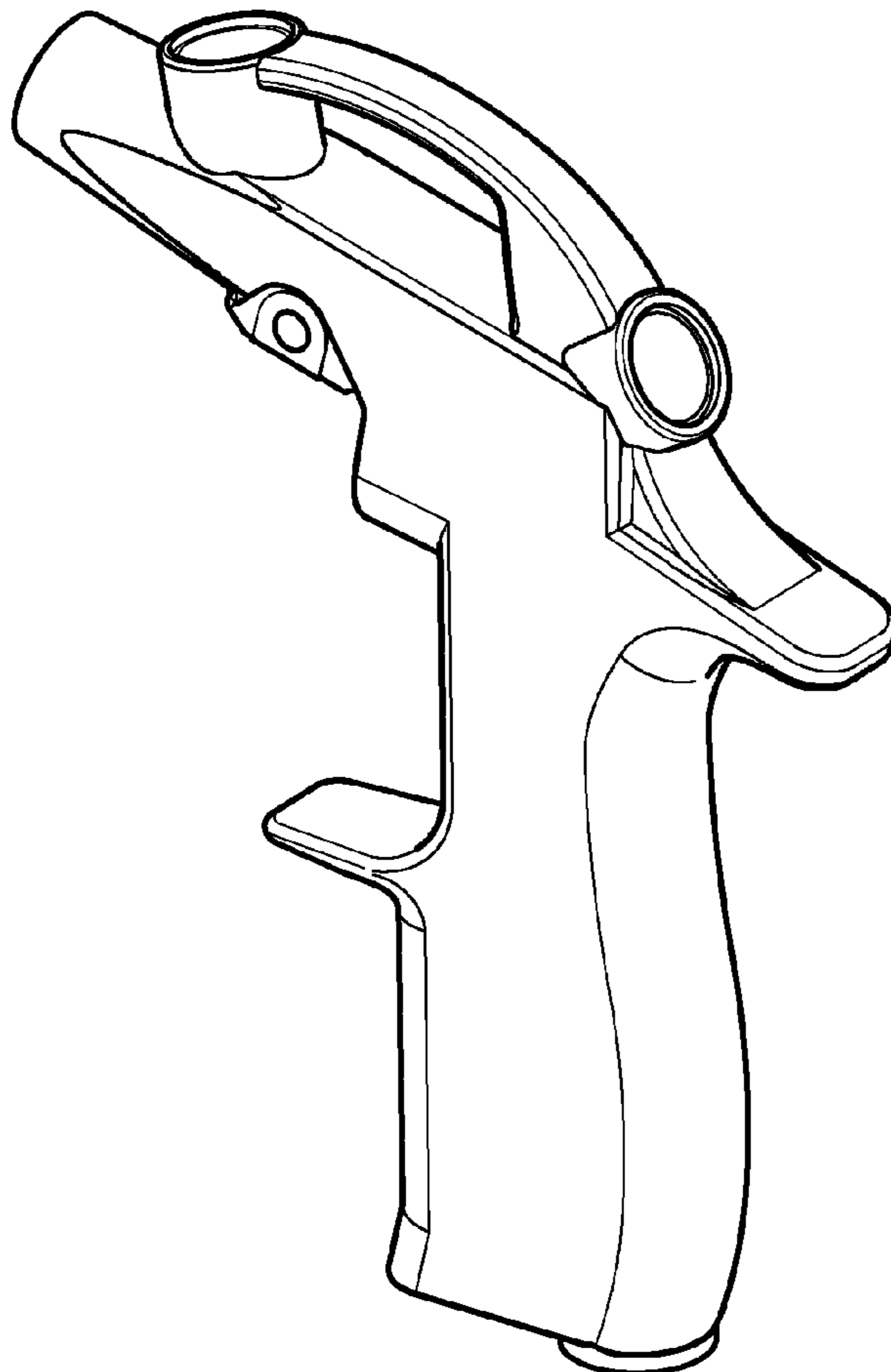
FIG. 5 is a front view thereof;

FIG. 6 is a rear view thereof;

FIG. 7 is a top plan view thereof; and,

FIG. 8 is a bottom plan view thereof.

**1 Claim, 6 Drawing Sheets**



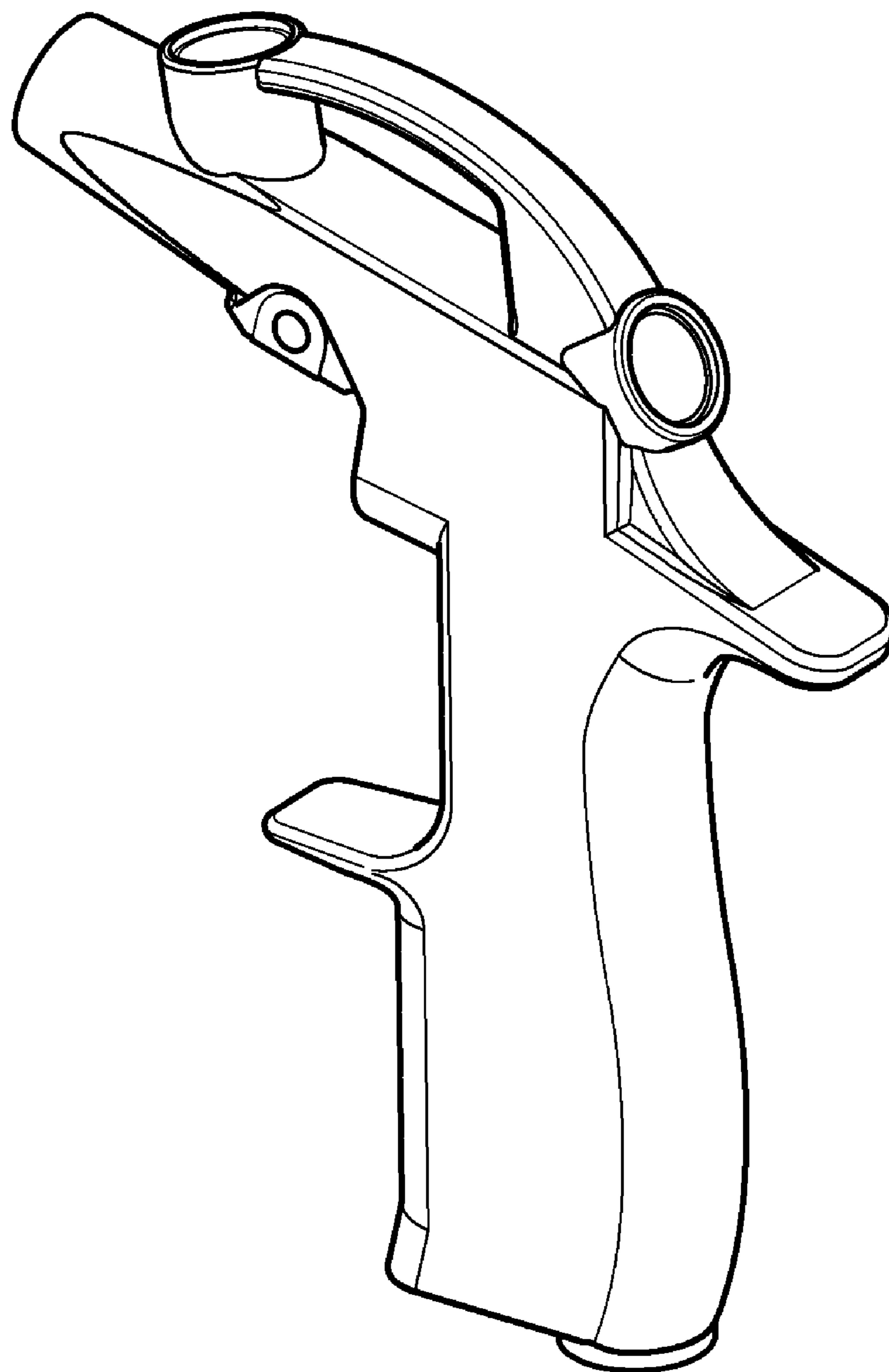


FIG. 1

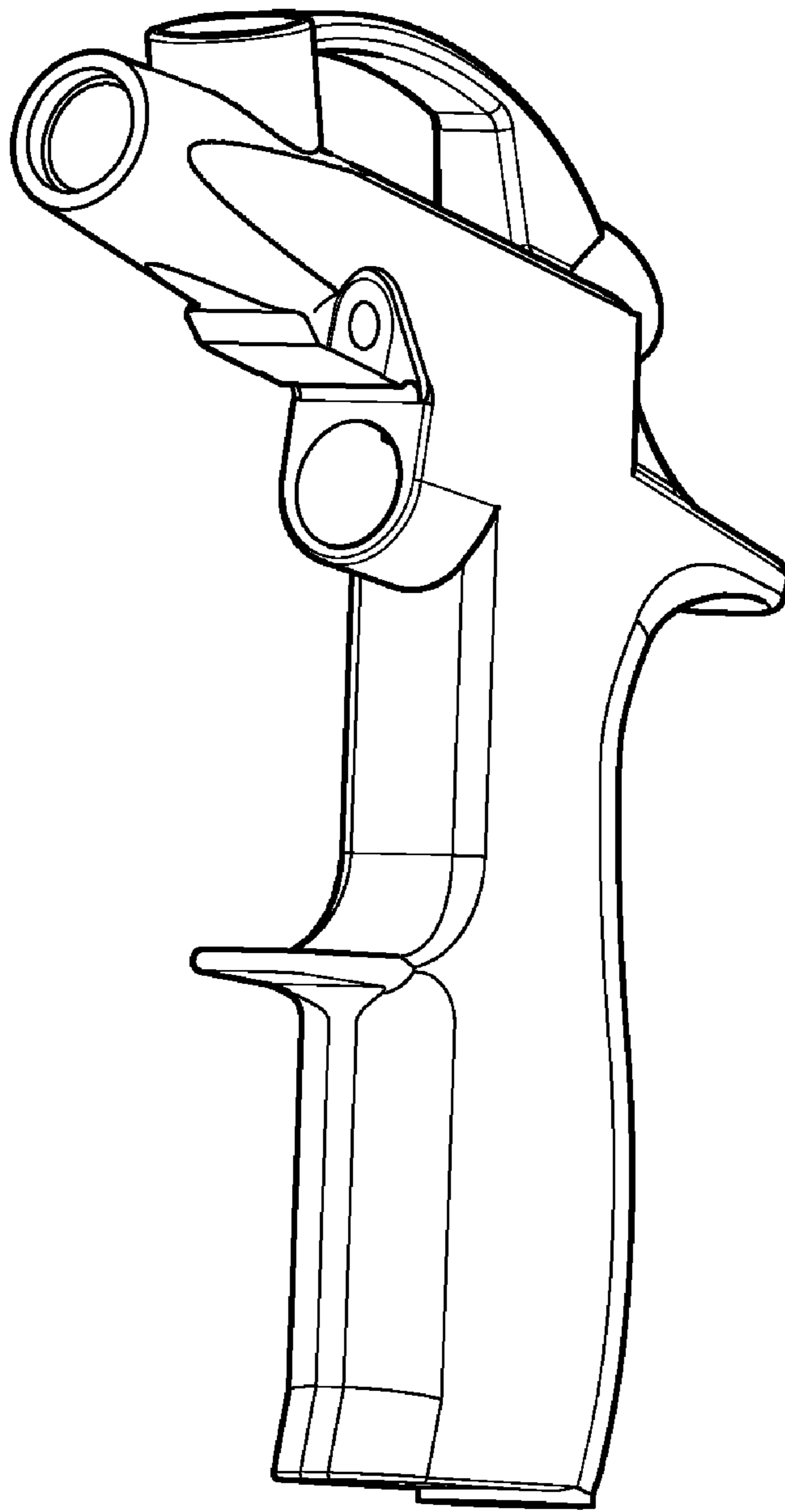


FIG.2

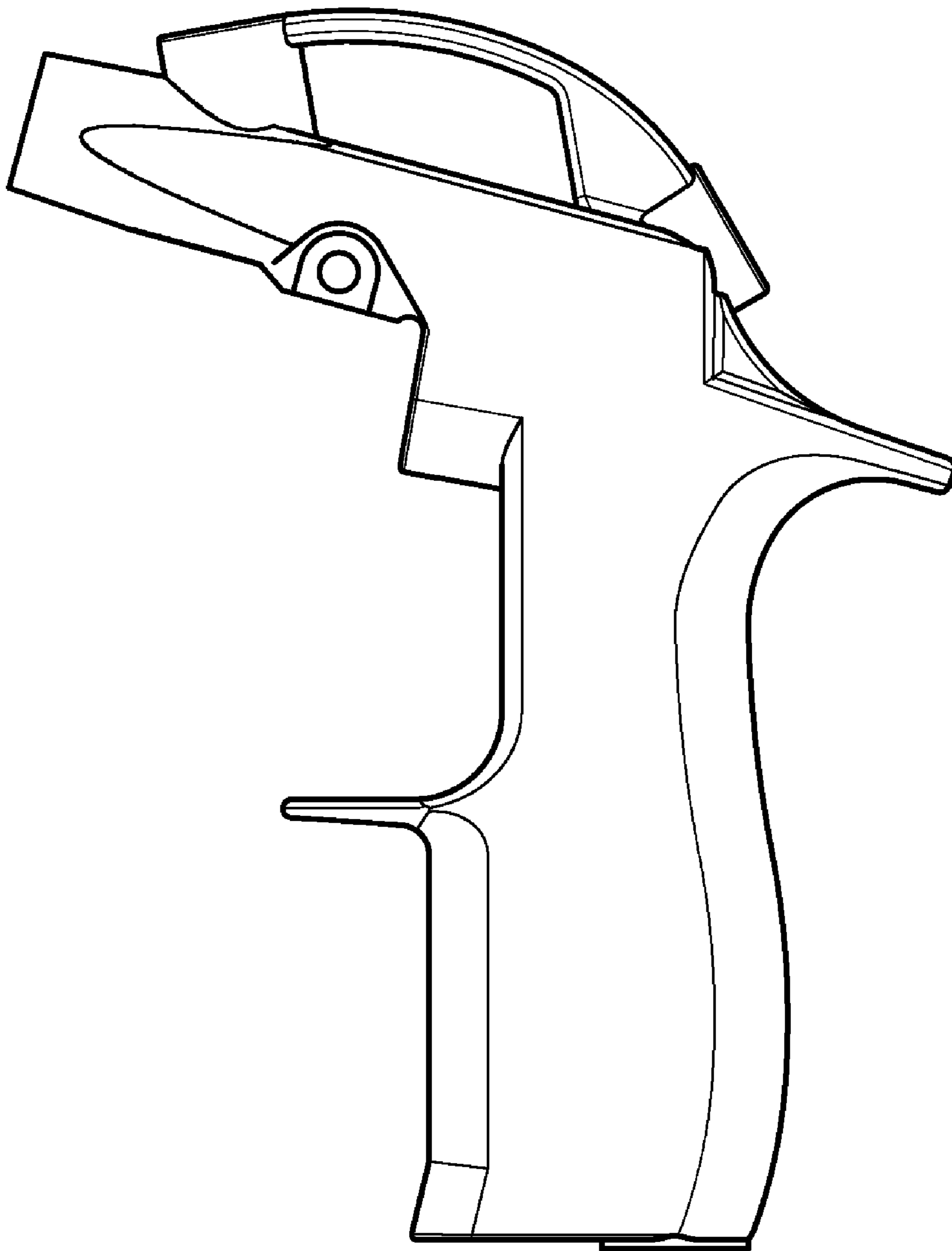


FIG.3

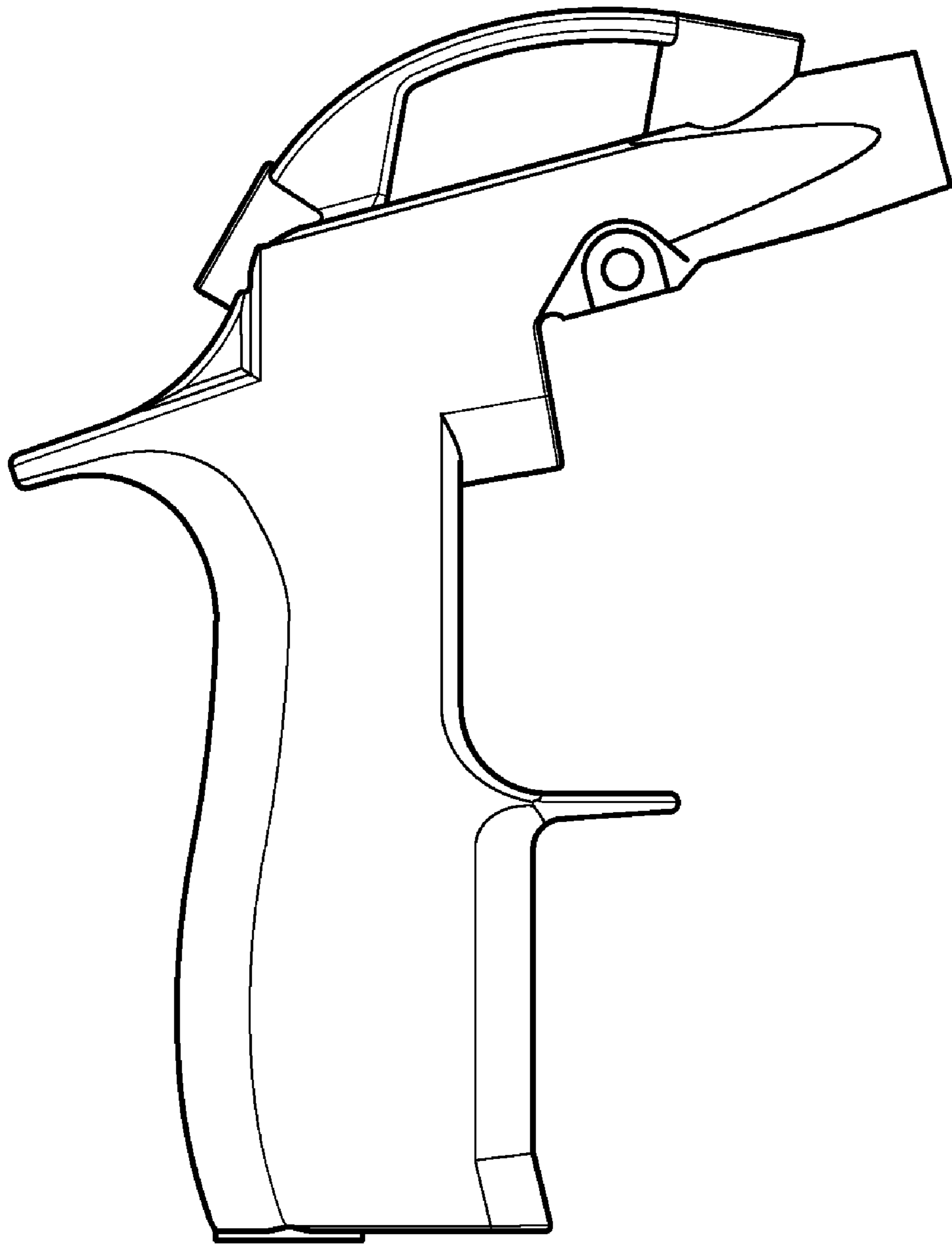


FIG.4

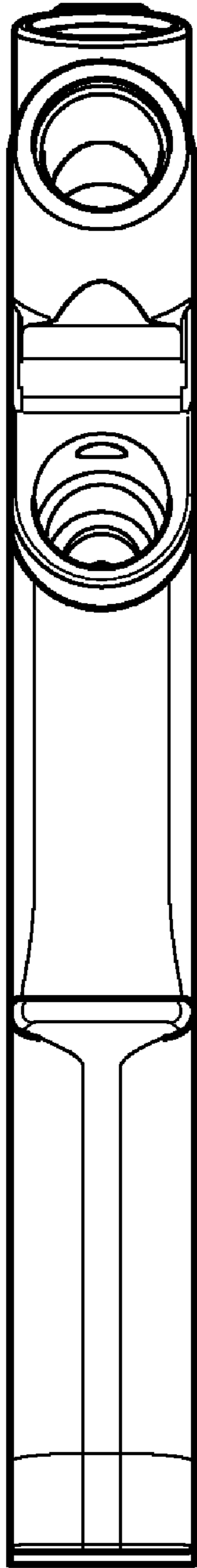


FIG. 5

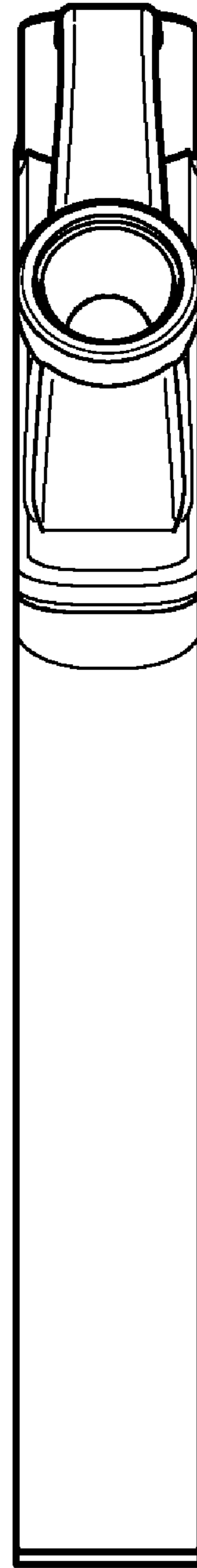


FIG. 6

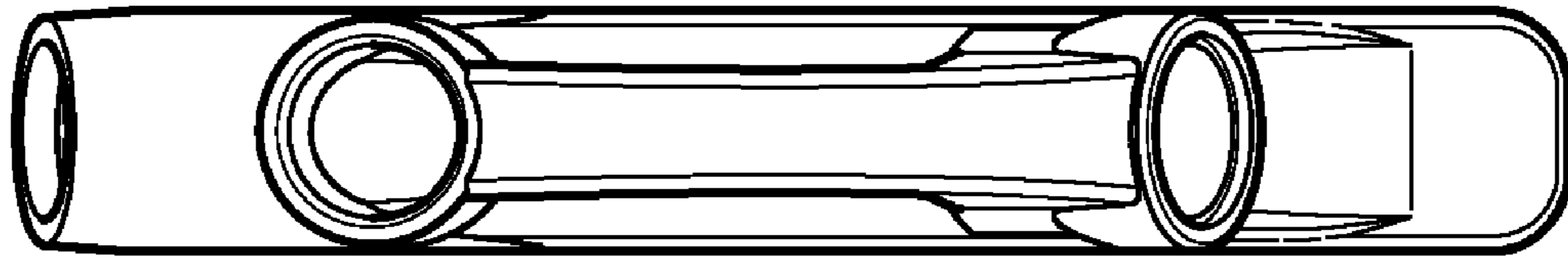


FIG. 7

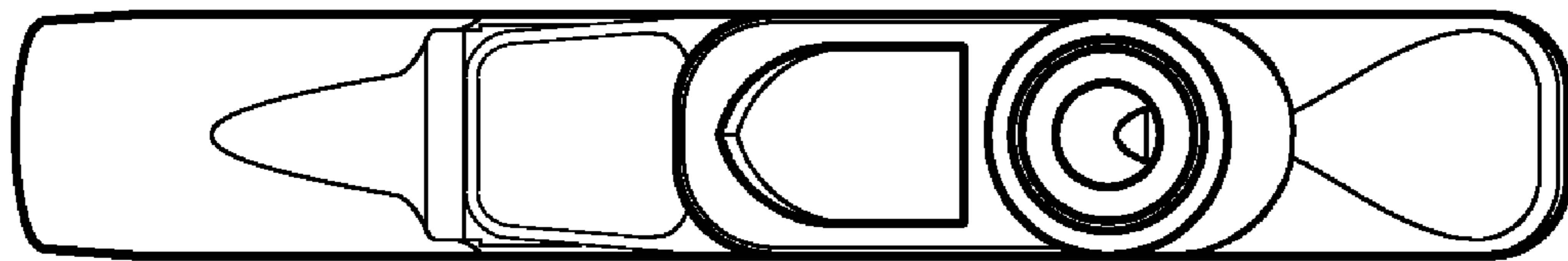


FIG. 8