



US00D613818S

(12) **United States Design Patent**
Kojima

(10) **Patent No.:** **US D613,818 S**
(45) **Date of Patent:** **** Apr. 13, 2010**

(54) **MOTIONLESS MIXER**

(75) Inventor: **Hisao Kojima**, Kanagawa (JP)
(73) Assignee: **Anemos Company, Ltd.**, Tokyo (JP)
(**) Term: **14 Years**
(21) Appl. No.: **29/267,842**
(22) Filed: **Oct. 24, 2006**

(30) **Foreign Application Priority Data**

Apr. 24, 2006 (JP) 2006-013168

(51) **LOC (9) Cl.** **23-01**
(52) **U.S. Cl.** **D23/200; D23/266**
(58) **Field of Classification Search** **D23/200,**
D23/207, 266, 263; 138/37, 39, 42; 366/336-340
See application file for complete search history.

(56) **References Cited**

U.S. PATENT DOCUMENTS

4,183,682 A * 1/1980 Lieffers 366/339
(Continued)

FOREIGN PATENT DOCUMENTS

JP 10-85721 A 4/1998
(Continued)

OTHER PUBLICATIONS

S. Hagiwara et al., "Motionless Mixer—Basis & Application", NDC 571.3, Sep. 30, 1981, P1-P7, the Nikkan Kogyo Shimbun Ltd., Tokyo, Japan.

Primary Examiner—Robin V Webster

(74) *Attorney, Agent, or Firm*—Ditthavong Mori & Steiner, P.C.

(57) **CLAIM**

The ornamental design for a motionless mixer, as shown.

DESCRIPTION

FIG. 1 is a front side elevational view of a motionless mixer showing my new design, the rear side elevational view being the same image thereof;

FIG. 2 is a left side elevational view thereof, the right side elevational view thereof being the same image thereof;

FIG. 3 is a top plan view thereof;

FIG. 4 is a bottom plan view thereof;

FIG. 5 is a cross-sectional perspective view thereof, taken along a line 5—5 in a direction of arrows of FIG. 1;

FIG. 6 is a cross-sectional left side elevational view thereof, taken along a line 6—6 in a direction of arrows of FIG. 1;

FIG. 7 is a cross-sectional perspective view thereof, taken along a line 7—7 in a direction of arrows of FIG. 1;

FIG. 8 is a cross-sectional right side elevational view thereof, taken along a line 8—8 in a direction of arrows of FIG. 1;

FIG. 9 is a cross-sectional bottom plan view thereof, taken along a line 9—9 of FIG. 1;

FIG. 10 is a cross-sectional top plan view thereof, taken along a line 10—10 of FIG. 1;

FIG. 11 is a cross-sectional bottom plan view thereof, taken along a line 11—11 of FIG. 1;

FIG. 12 is a cross-sectional top plan view thereof, taken along a line 12—12 of FIG. 1;

FIG. 13 is a cross-sectional bottom plan view thereof, taken along a line 13—13 of FIG. 1;

FIG. 14 is a cross-sectional top plan view thereof, taken along a line 14—14 of FIG. 1;

FIG. 15 is a cross-sectional bottom plan view thereof, taken along a line 15—15 of FIG. 1;

FIG. 16 is a cross-sectional top plan view thereof, taken along a line 16—16 of FIG. 1;

FIG. 17 is a cross-sectional bottom plan view thereof, taken along a line 17—17 of FIG. 1;

FIG. 18 is a cross-sectional top plan view thereof, taken along a line 18—18 of FIG. 1;

FIG. 19 is a cross-sectional bottom plan view thereof, taken along a line 19—19 of FIG. 1;

FIG. 20 is a cross-sectional top plan view thereof, taken along a line 20—20 of FIG. 1; and,

FIG. 21 is a cross-sectional bottom plan view thereof, taken along a line 21—21 of FIG. 1.

1 Claim, 21 Drawing Sheets



US D613,818 S

Page 2

U.S. PATENT DOCUMENTS

4,466,741 A 8/1984 Kojima
4,514,095 A * 4/1985 Ehrfeld et al. 366/340
4,643,584 A * 2/1987 Allocca 366/337
4,747,697 A 5/1988 Kojima
4,824,614 A * 4/1989 Jones 261/76
4,850,705 A * 7/1989 Horner 366/339
5,758,967 A * 6/1998 King 366/337
6,109,781 A * 8/2000 Ogasawara et al. 366/336

D436,647 S * 1/2001 Etschel et al. D23/200
7,137,731 B2 * 11/2006 Carlson 366/337

FOREIGN PATENT DOCUMENTS

JP 2001-62269 A 3/2001
JP 2003-181256 A 7/2003
JP 2005-219036 A 8/2005
WO WO-00/24502 A1 5/2000

* cited by examiner

Fig.1

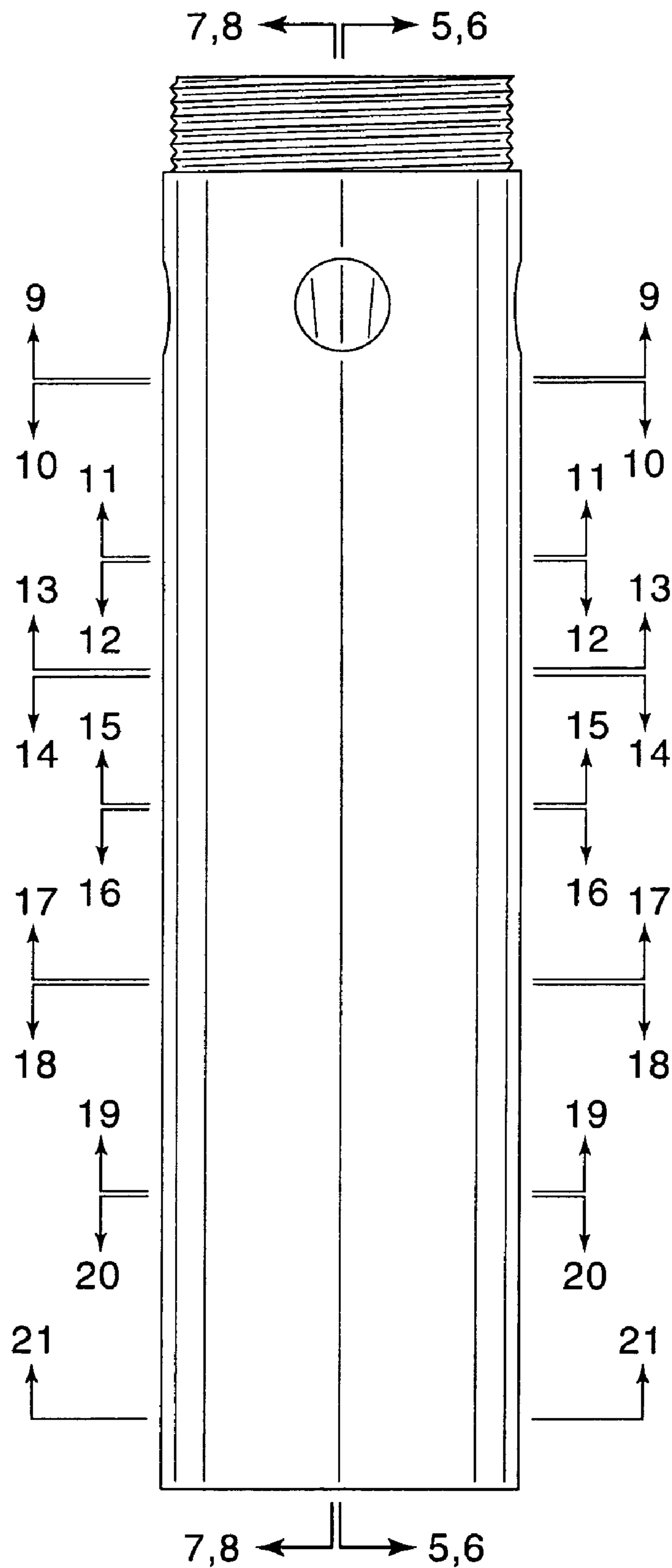


Fig.2

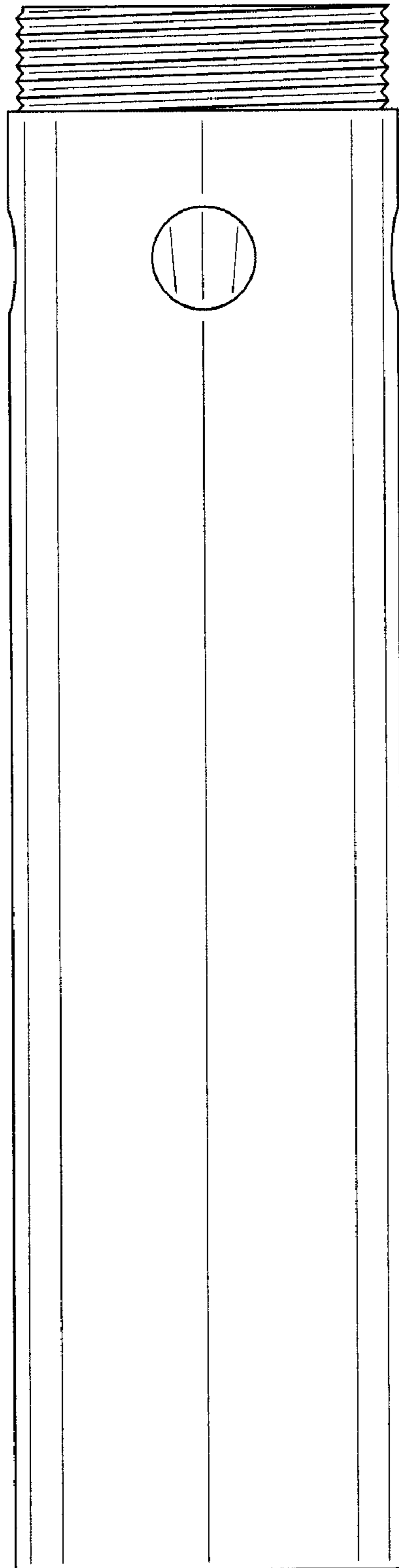


Fig.3

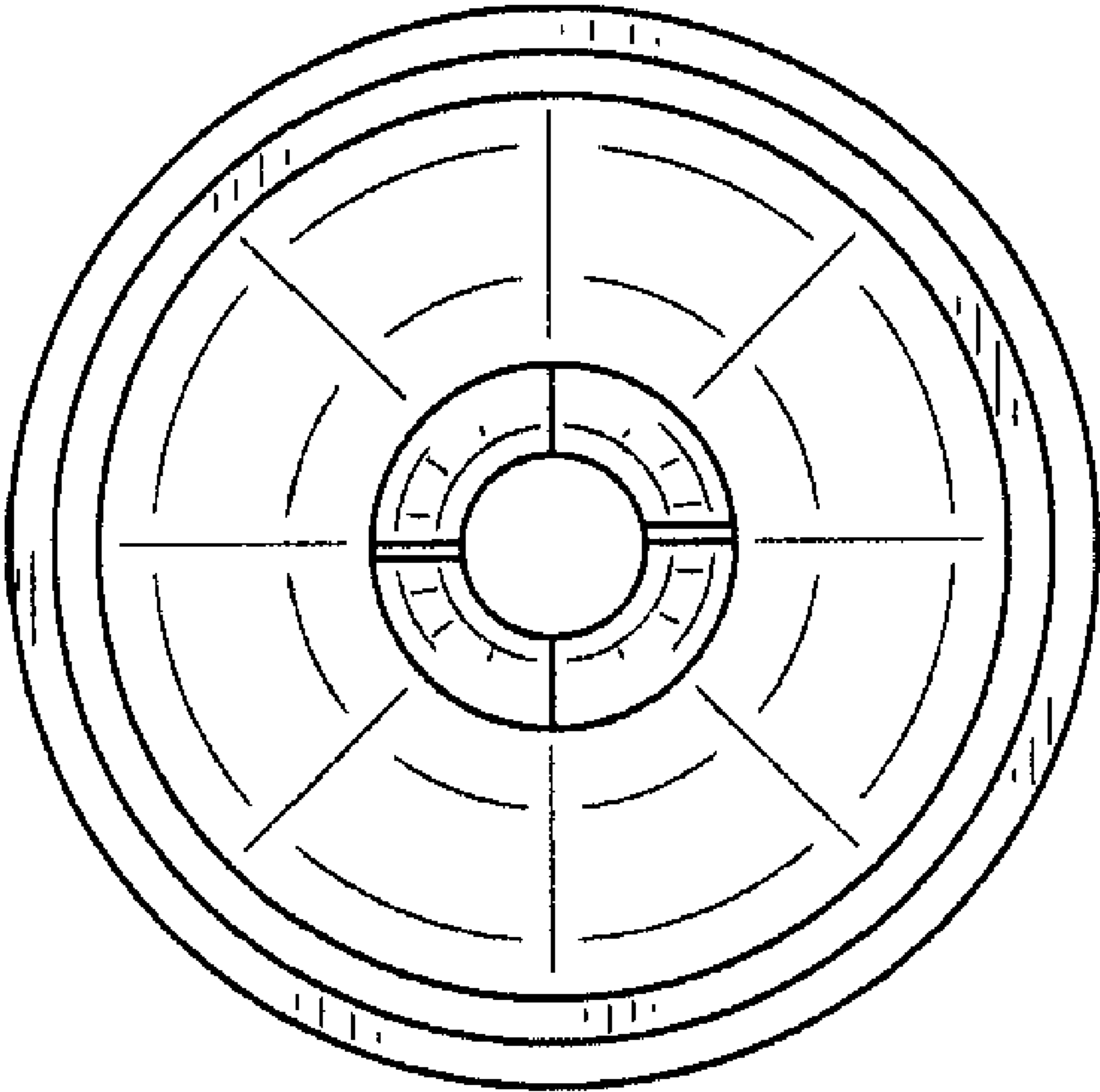


Fig.4

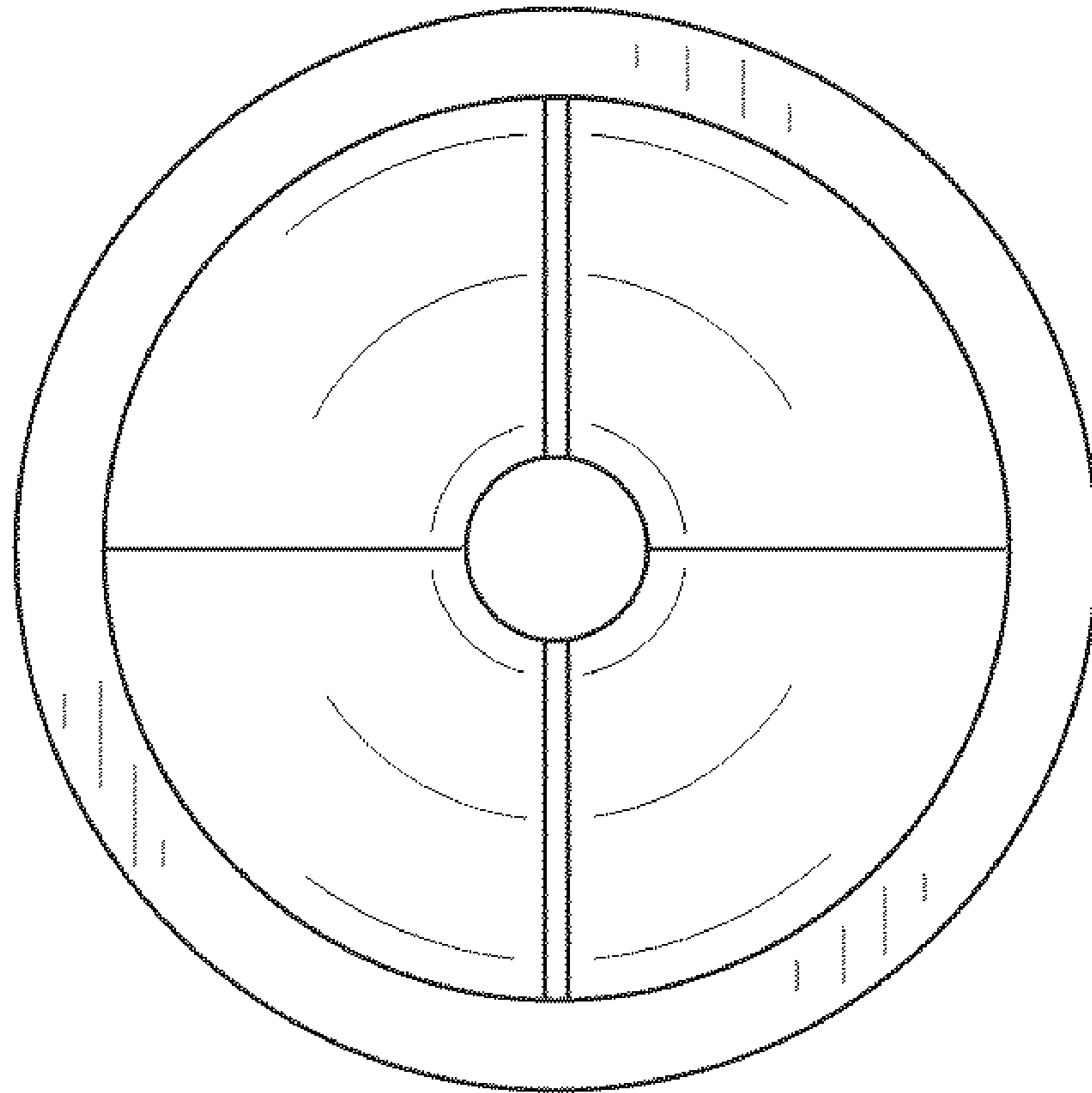


Fig.5

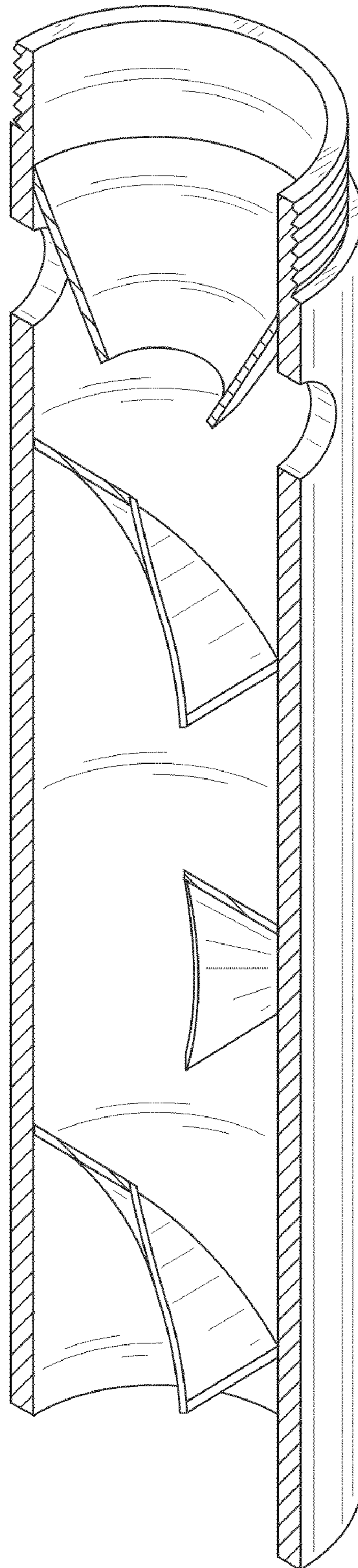


Fig.6

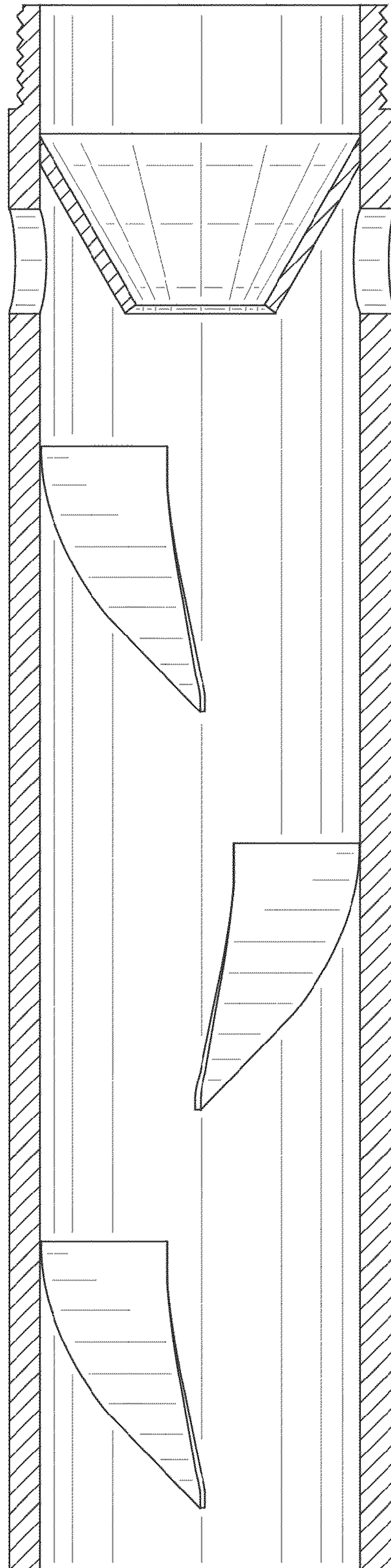


Fig.7

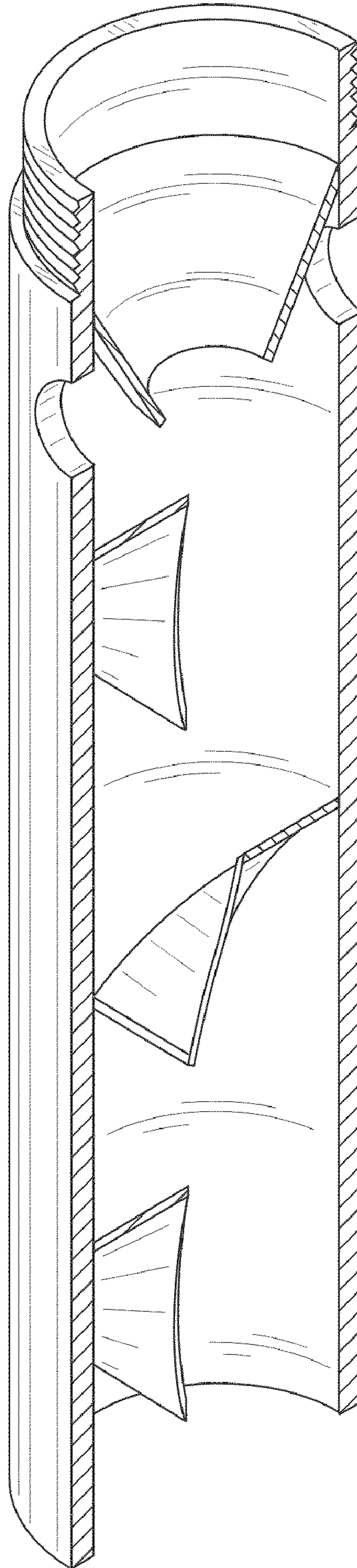


Fig.8

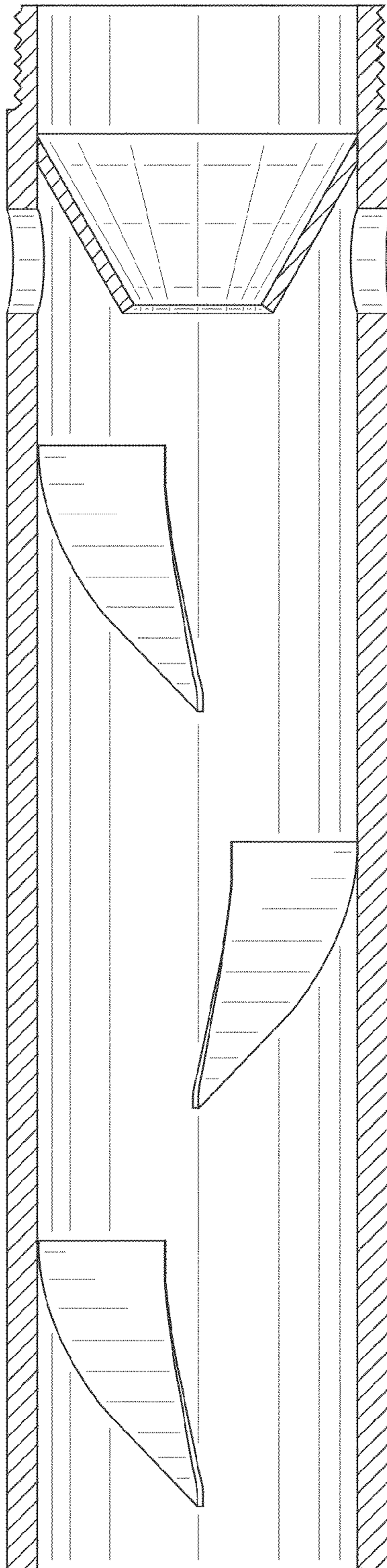


Fig.9

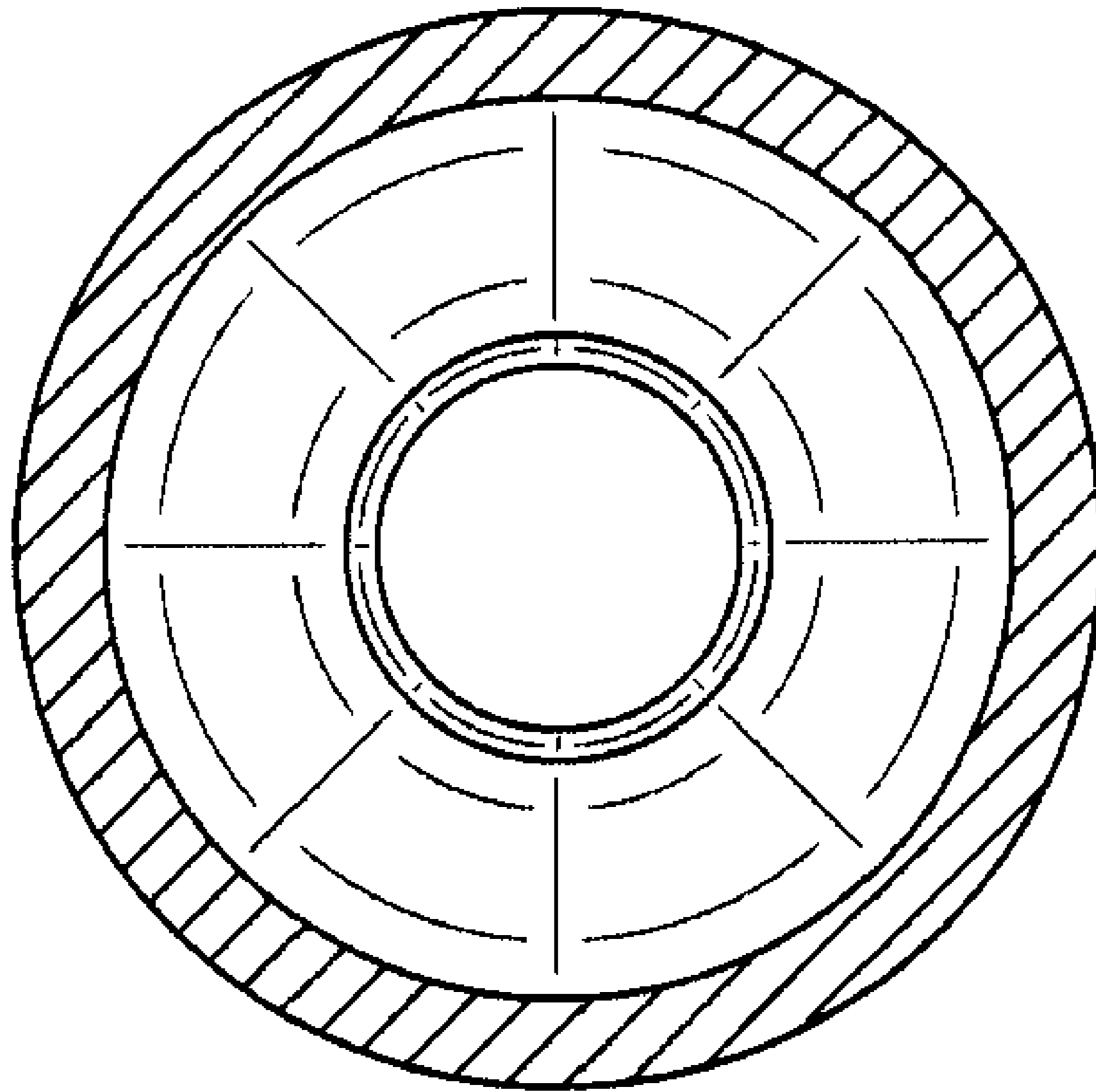


Fig. 10

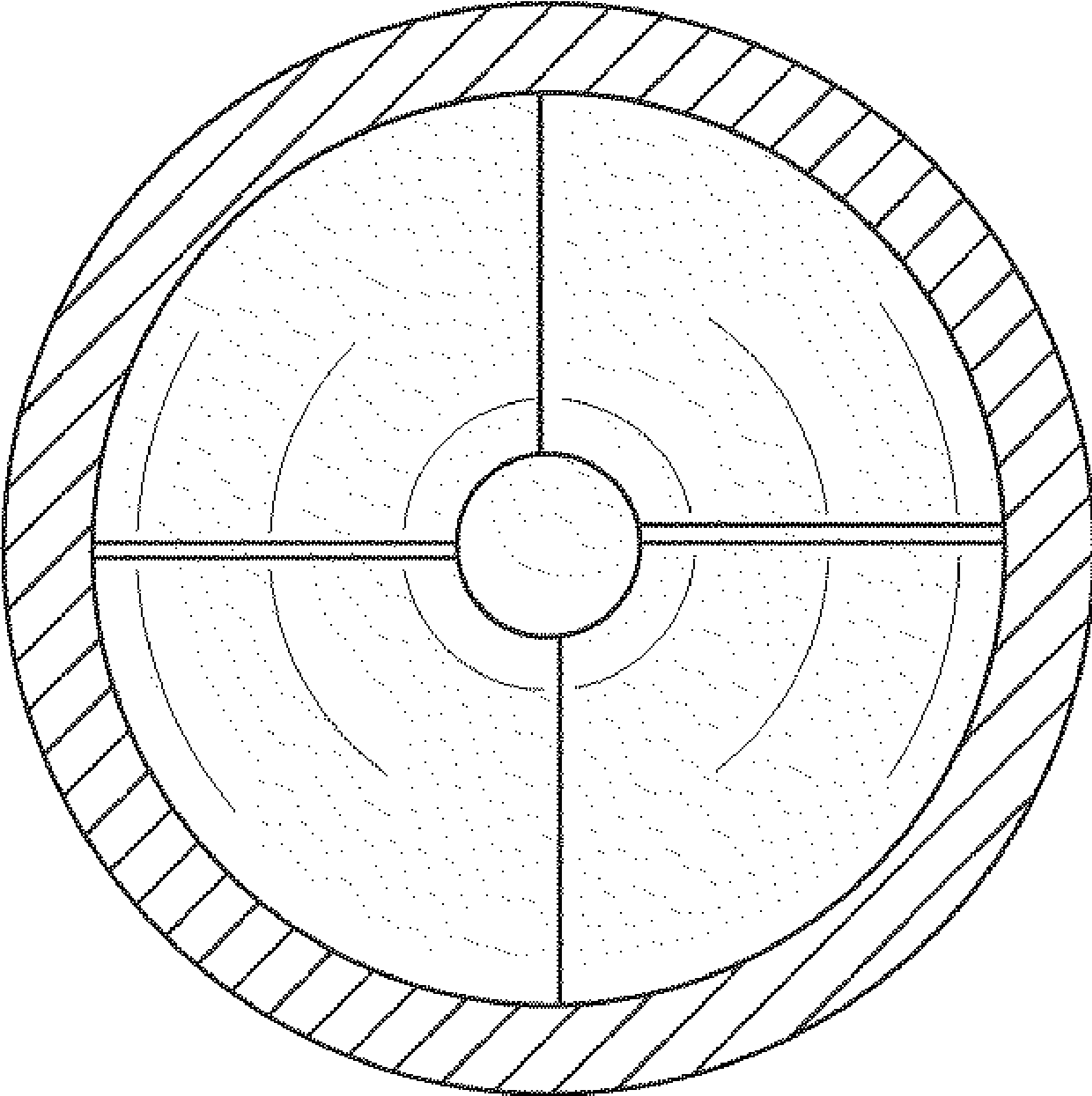


Fig. 11

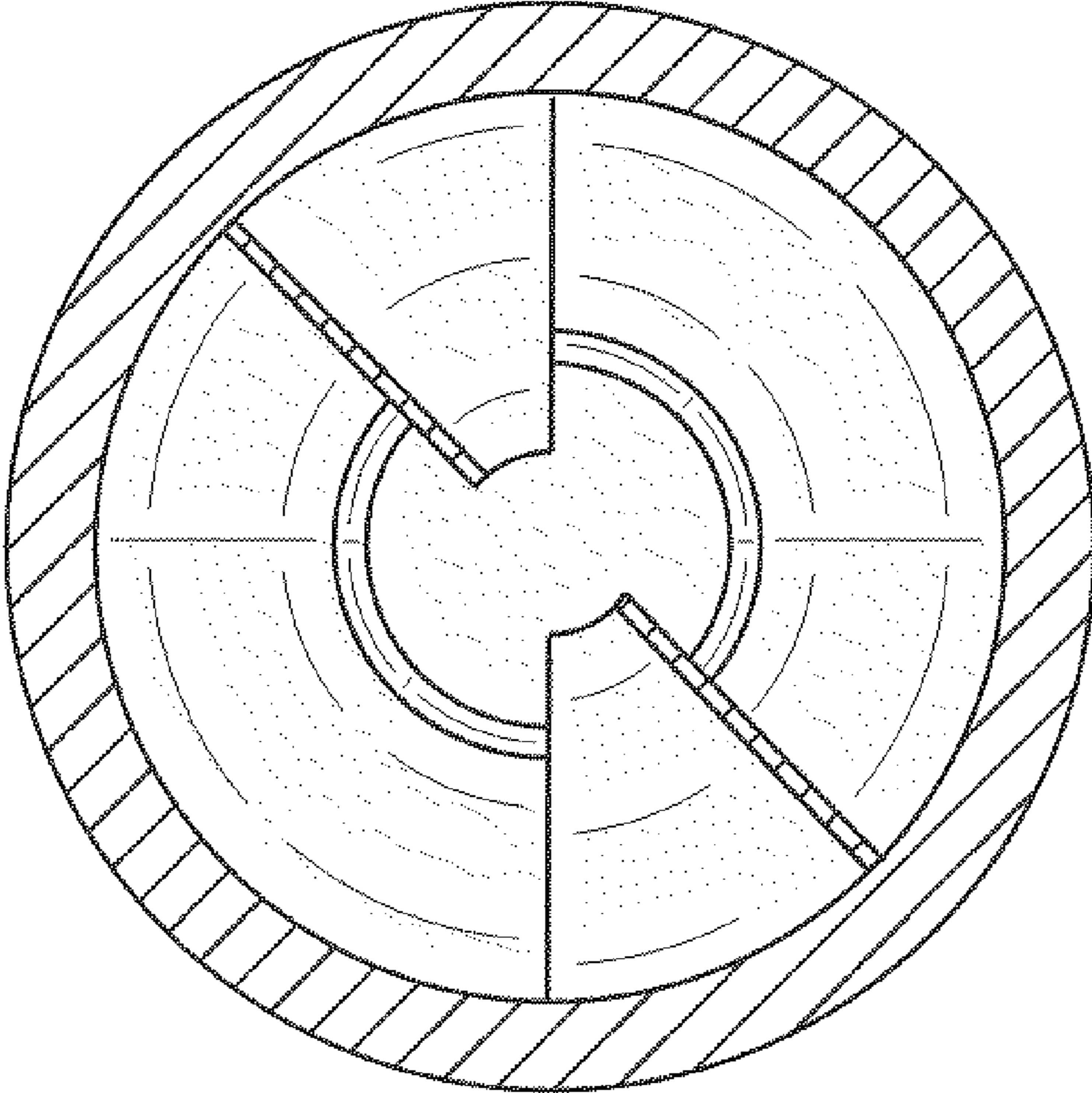


Fig. 12

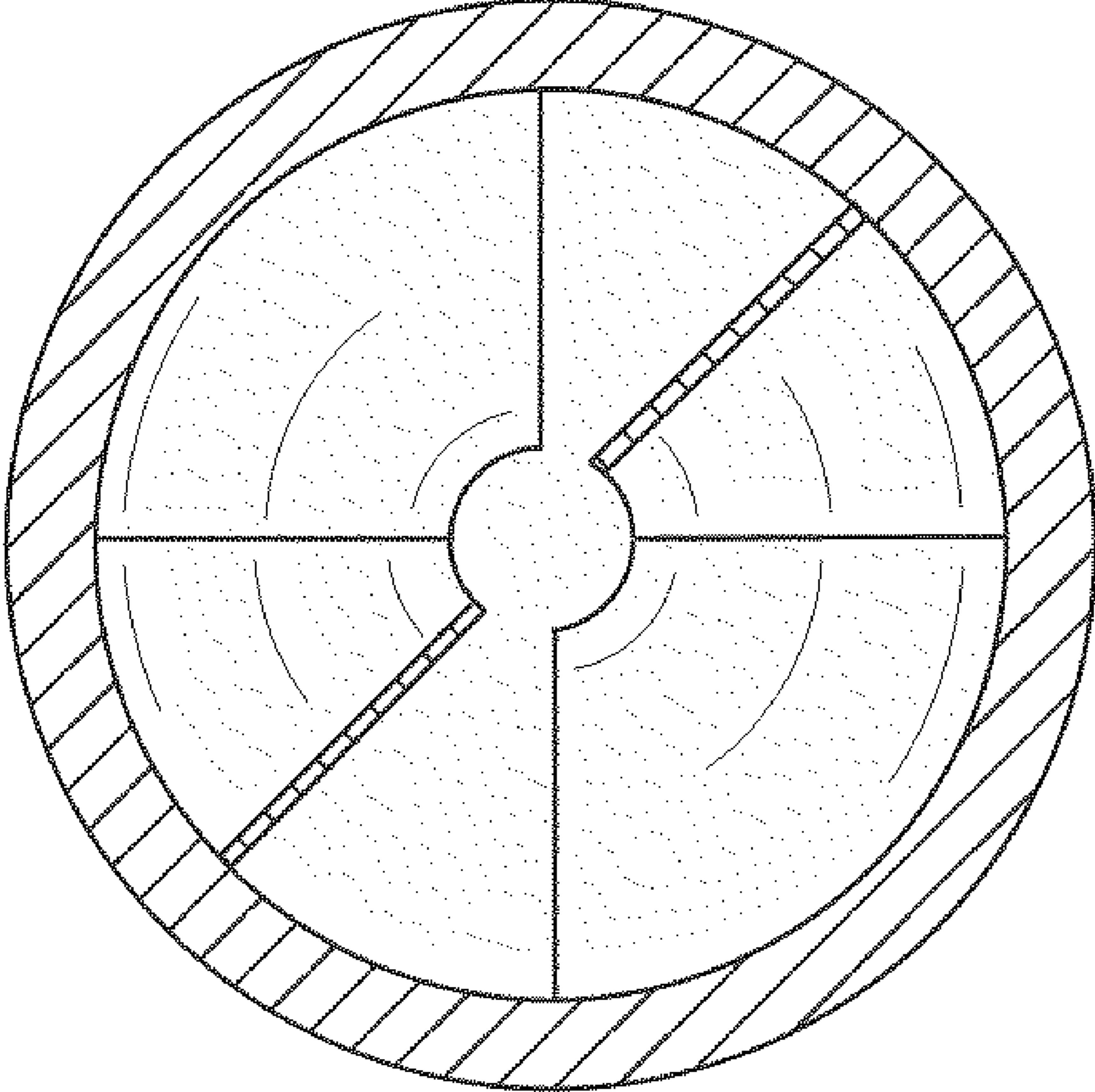


Fig. 13

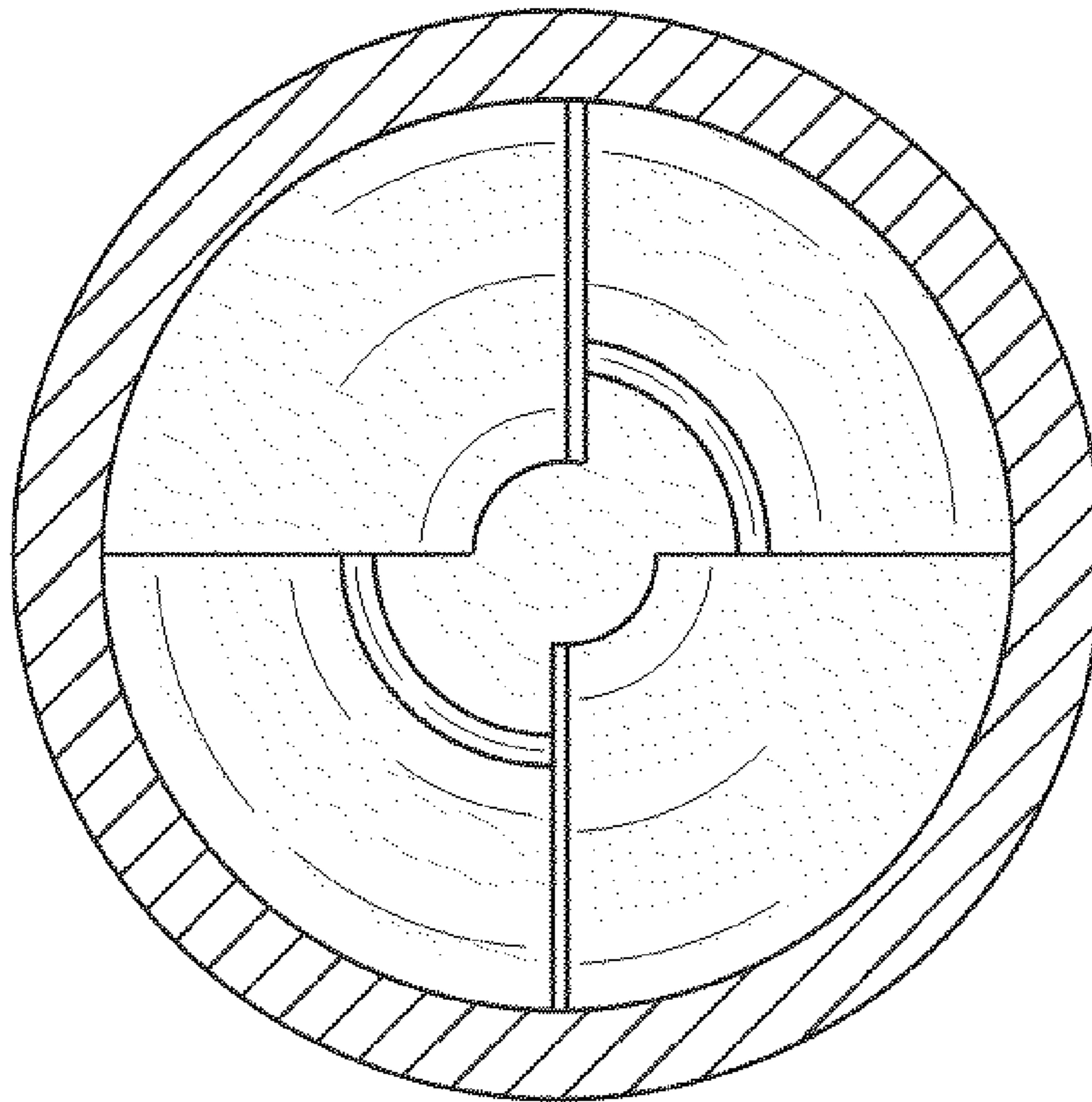


Fig. 14

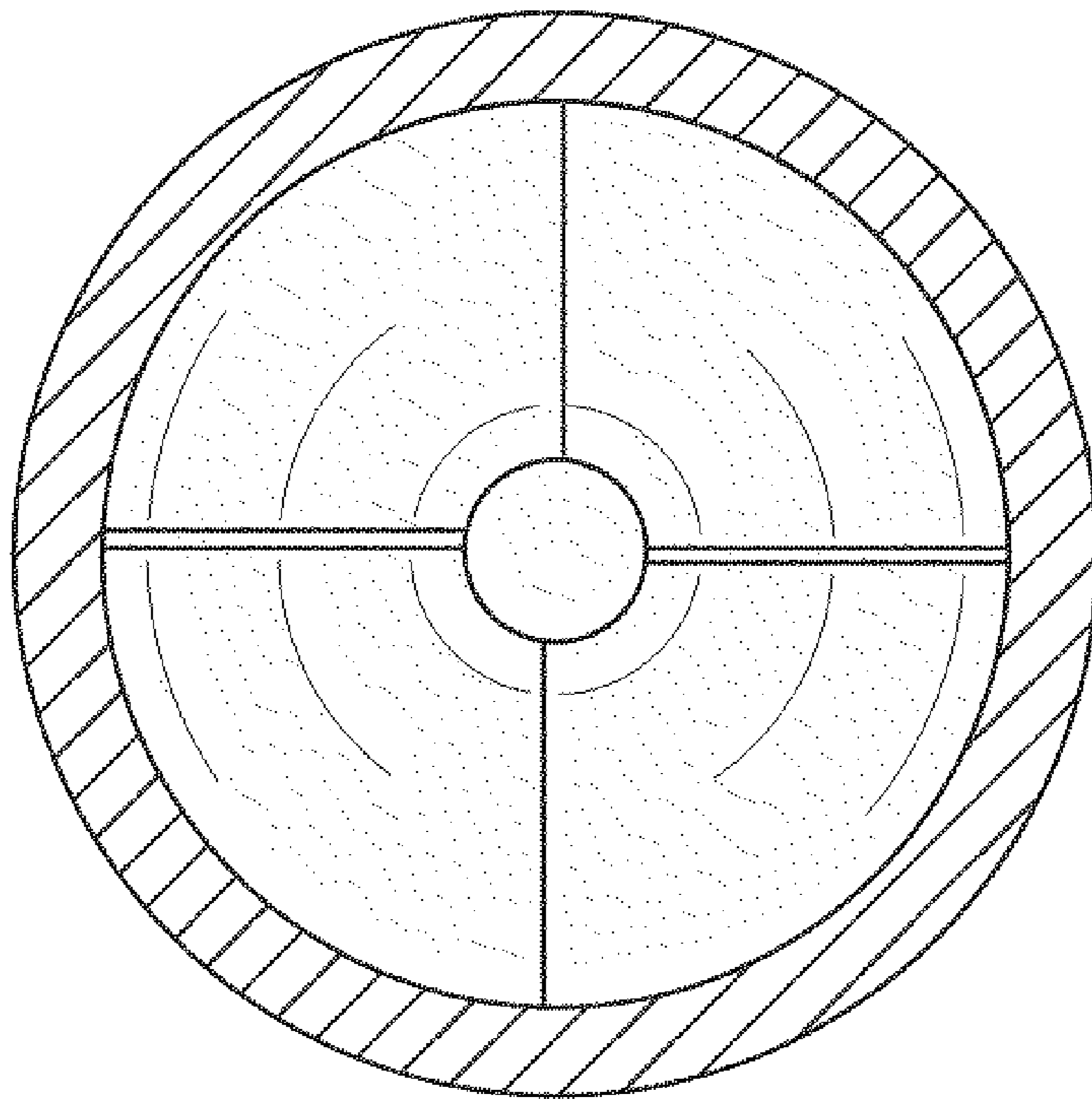


Fig.15

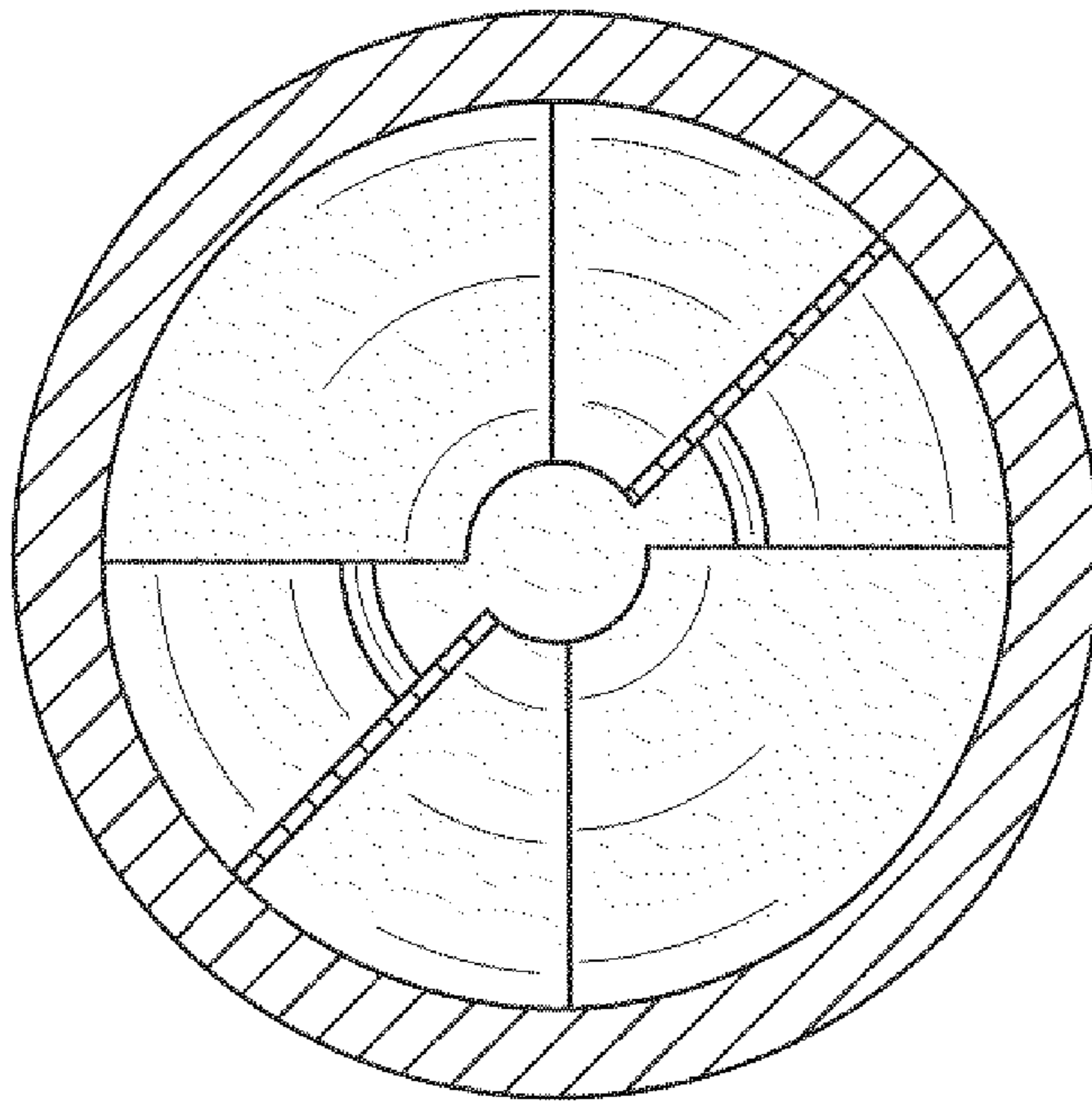


Fig. 16

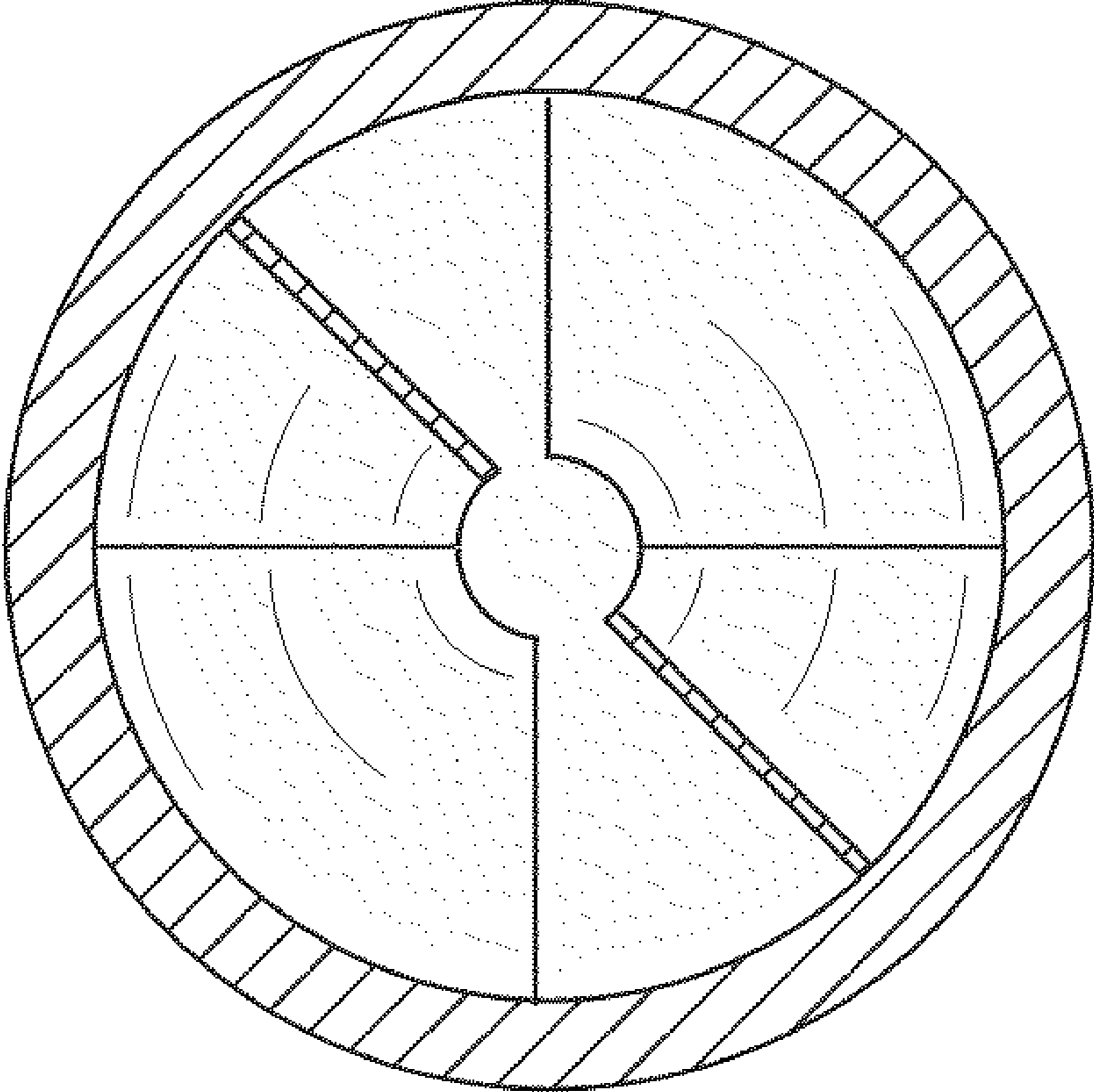


Fig.17

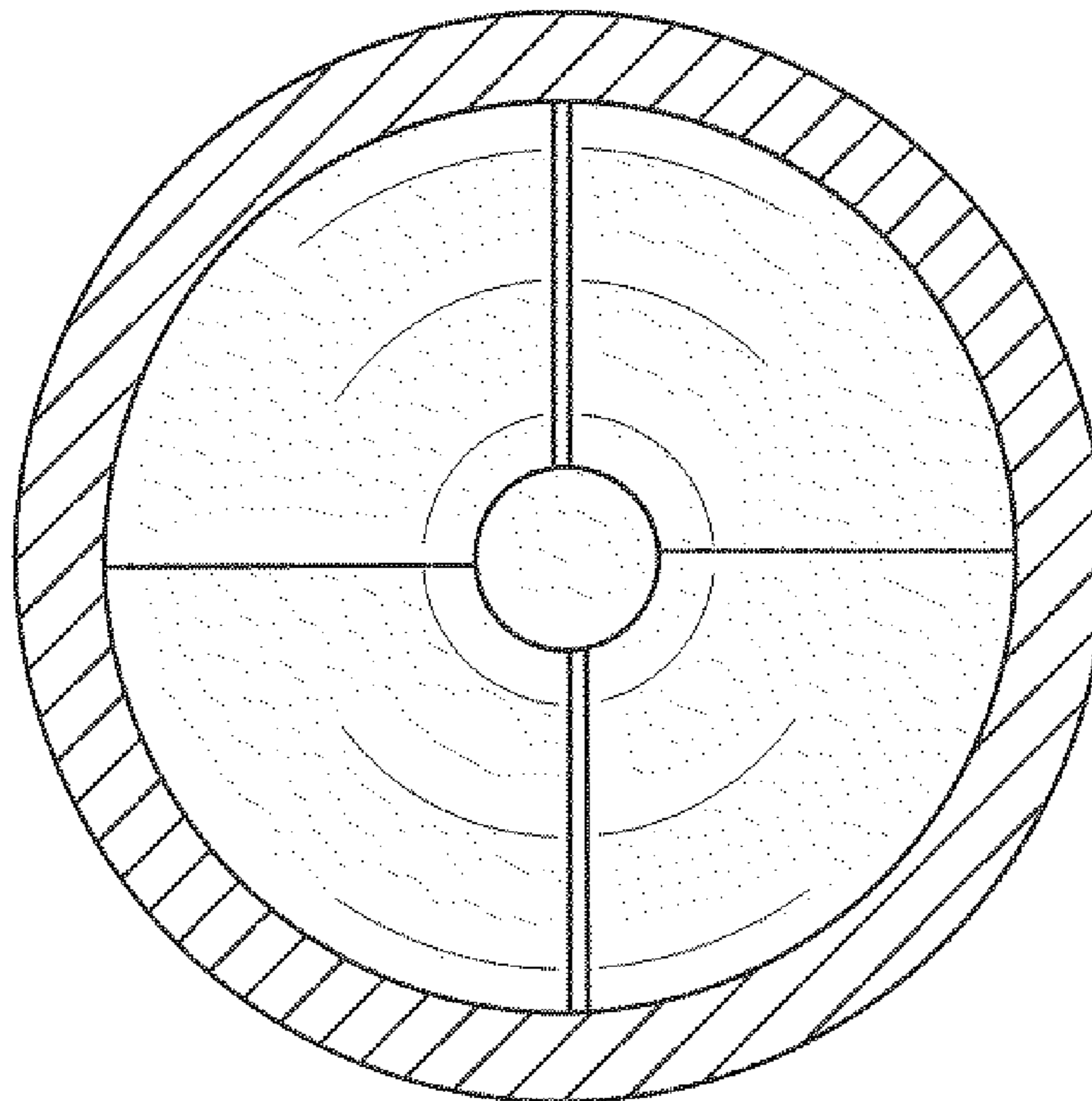


Fig. 18

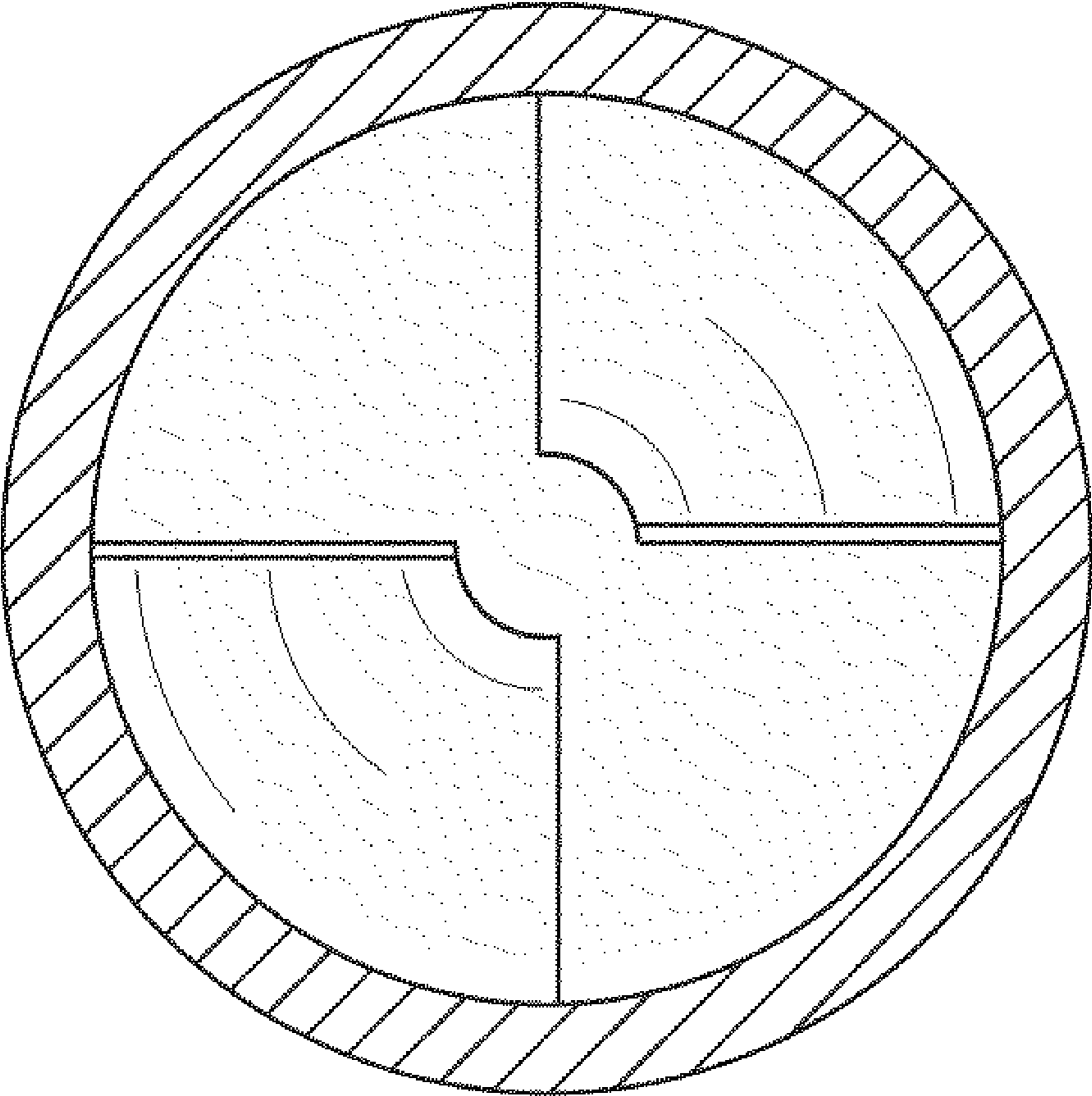


Fig. 19

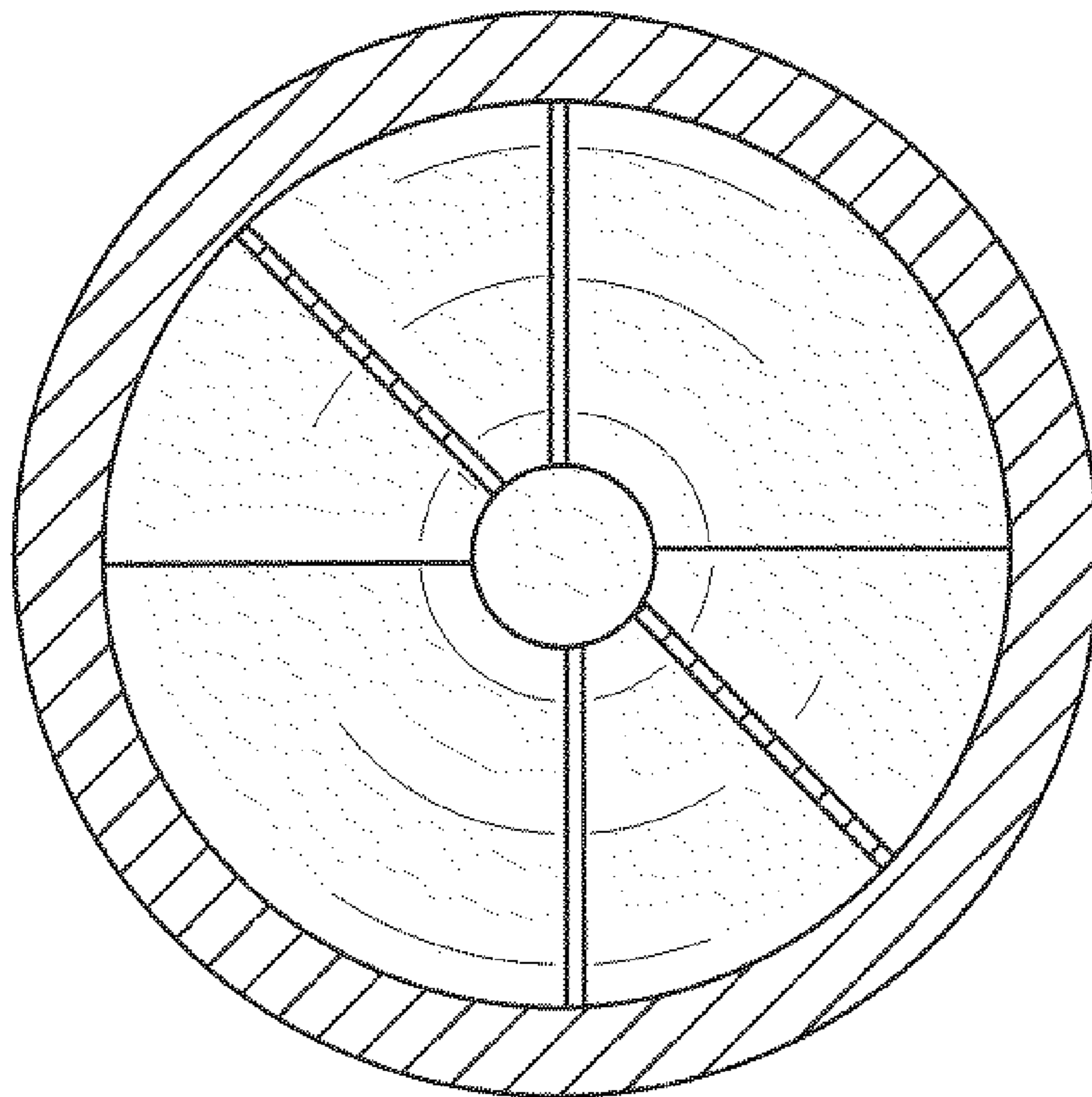


Fig.20

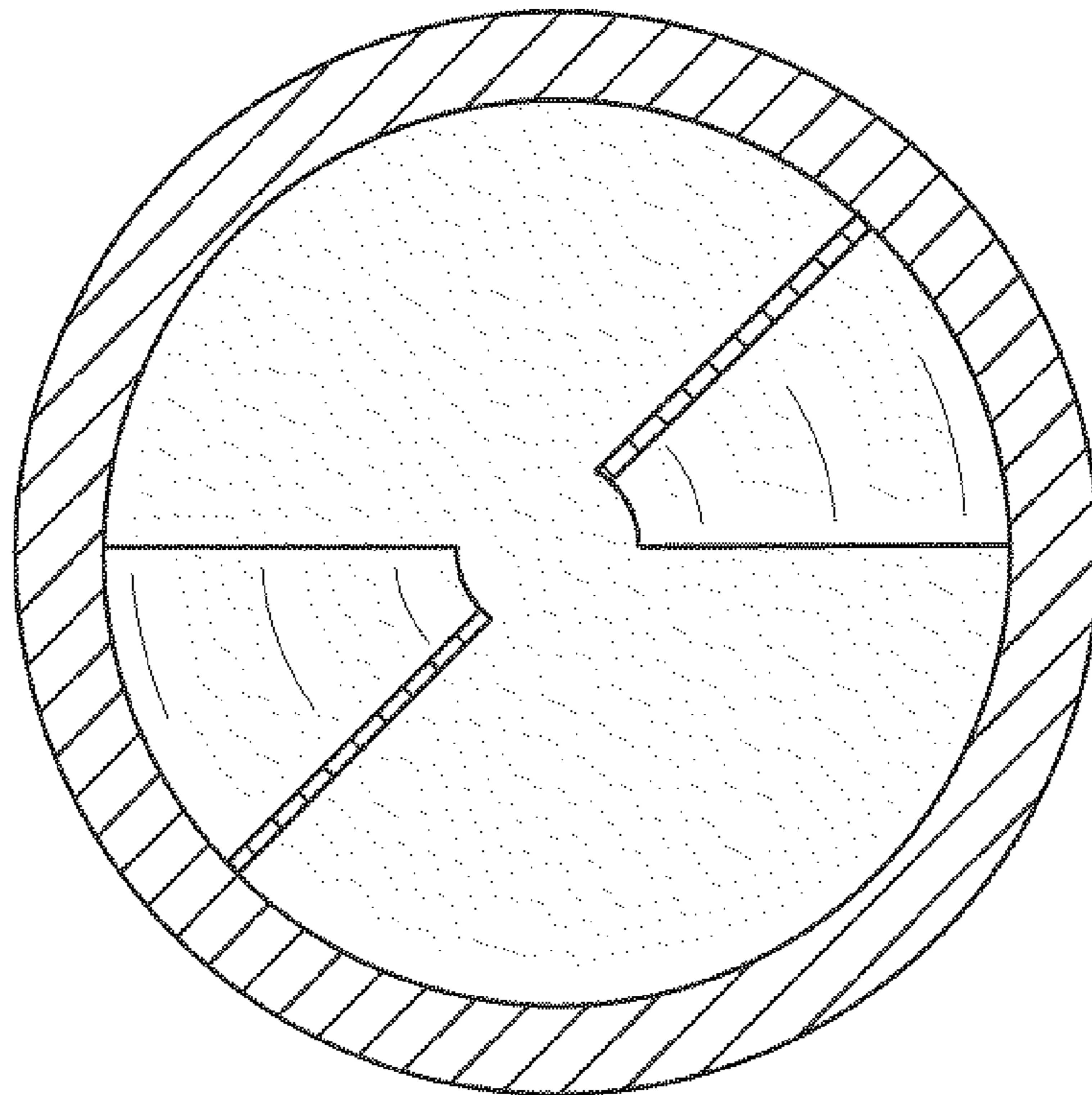


Fig.21

