



US00D613814S

(12) **United States Design Patent**
Farina et al.

(10) **Patent No.:** **US D613,814 S**
(45) **Date of Patent:** **** Apr. 13, 2010**

(54) **DEMOLITION PROJECTILE**
(75) Inventors: **Anthony P. Farina**, Hackettstown, NJ
(US); **Brian C. Wong**, Hamburg, NJ
(US); **Stewart Gilman**, Budd Lake, NJ
(US); **Joseph D. Wu**, Wharton, NJ (US)

6,782,828 B2 * 8/2004 Widener 102/502
6,845,716 B2 * 1/2005 Husseini et al. 102/466
D502,525 S * 3/2005 Benini et al. D22/116
D518,727 S * 4/2006 Haley et al. D9/504
7,568,433 B1 * 8/2009 Farina et al. 102/439
2008/0134928 A1 * 6/2008 Shiery 102/524

* cited by examiner

(73) Assignee: **The United States of America as represented by the Secretary of the Army**, Washington, DC (US)

Primary Examiner—T. Chase Nelson
Assistant Examiner—Michael A Pratt
(74) *Attorney, Agent, or Firm*—Michael C. Sachs

(**) Term: **14 Years**

(57) **CLAIM**

(21) Appl. No.: **29/333,452**

The ornamental design for a demolition projectile, as shown and described.

(22) Filed: **Mar. 10, 2009**

(51) **LOC (9) Cl.** **22-03**
(52) **U.S. Cl.** **D22/116**
(58) **Field of Classification Search** D22/115,
D22/116; 463/2; 102/501–510, 520; 86/19.5,
86/51–54

DESCRIPTION

The inventions described herein may be manufactured, used and licensed by the United States Government for United States Government purposes.

See application file for complete search history.

FIG. 1. is a perspective view of the demolition projectile;
FIG. 2. is a right-side elevational view thereof (the left side view is identical thereto);
FIG. 3. is a top plan view thereof; and,
FIG. 4. is a bottom plan view thereof.

(56) **References Cited**

U.S. PATENT DOCUMENTS

5,381,445 A * 1/1995 Hershey et al. 375/295
6,752,084 B1 * 6/2004 Husseini et al. 102/466

1 Claim, 3 Drawing Sheets

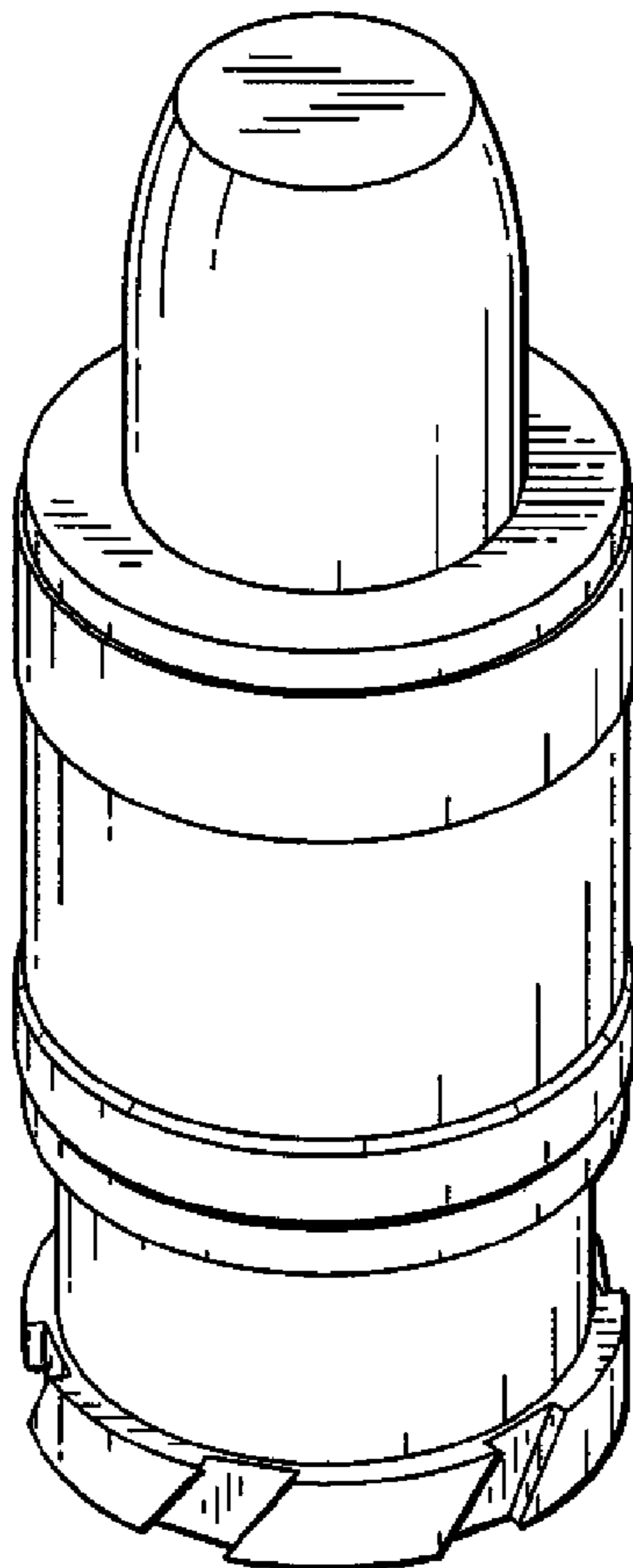


FIG. 1

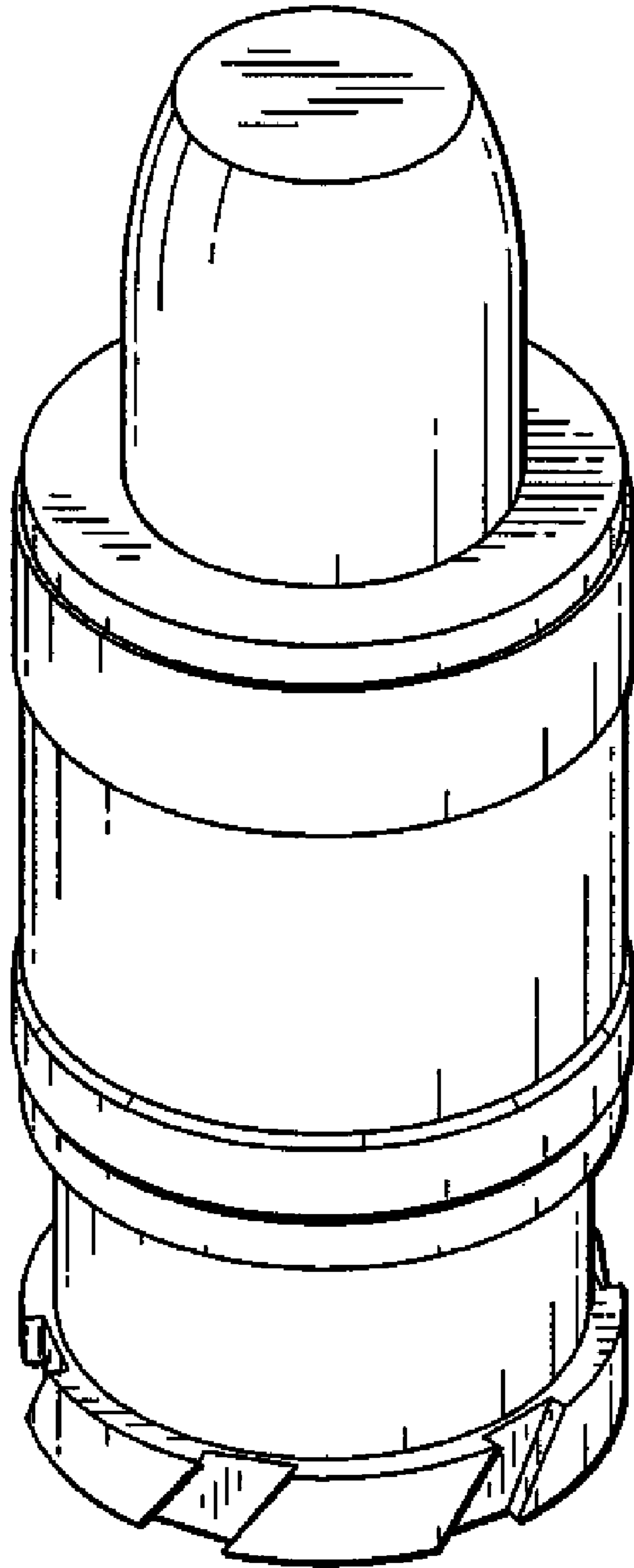


FIG. 2

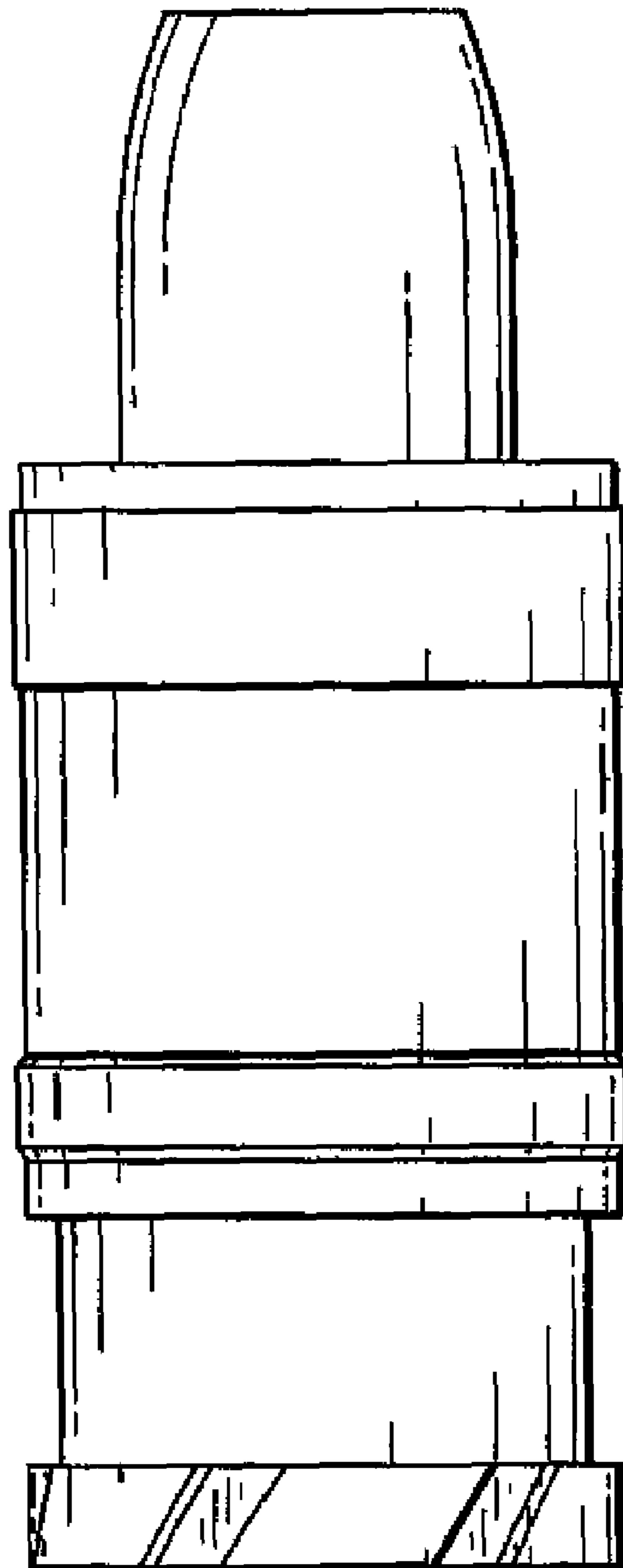


FIG. 3

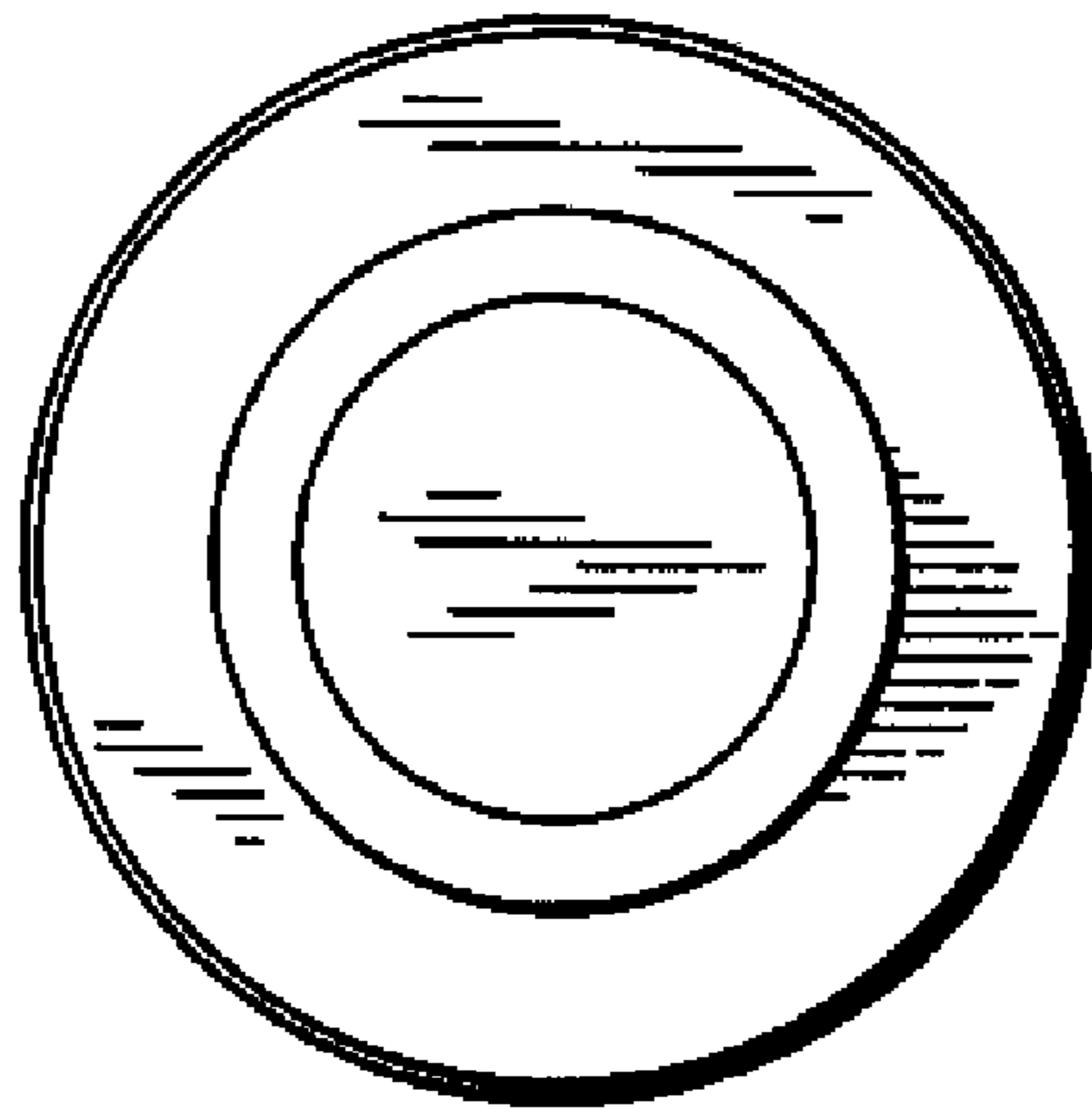


FIG. 4

