



US00D613813S

(12) **United States Design Patent**  
**Larsson**

(10) **Patent No.:** **US D613,813 S**

(45) **Date of Patent:** **\*\* Apr. 13, 2010**

(54) **SIGHT**

(75) Inventor: **Niklas Larsson, Åkarp (SE)**

(73) Assignee: **GS Development AB, Malmö (SE)**

(\*\*) Term: **14 Years**

(21) Appl. No.: **29/325,612**

(22) Filed: **Oct. 3, 2008**

(30) **Foreign Application Priority Data**

Apr. 4, 2008 (EM) ..... 000909551-0001

(51) **LOC (9) Cl.** ..... **22-01**

(52) **U.S. Cl.** ..... **D22/109**

(58) **Field of Classification Search** ..... D22/108–110,  
D22/199; D16/123, 130, 133, 330, 134;  
359/399, 823, 744; 42/111, 133, 119, 122  
See application file for complete search history.

(56) **References Cited**

**U.S. PATENT DOCUMENTS**

872,120	A	*	11/1907	Gray	.....	359/399
D195,999	S	*	8/1963	Bach	.....	D16/220
D202,526	S	*	10/1965	Maguire	.....	D16/132
D287,136	S	*	12/1986	Murray, Jr.	.....	D16/132
D297,242	S	*	8/1988	Yamanaka	.....	D16/132
D479,255	S	*	9/2003	Hamamura	.....	D16/132
D490,097	S	*	5/2004	Regan et al.	.....	D16/132
D513,274	S	*	12/2005	Chen	.....	D16/132

D532,803	S	*	11/2006	Regan et al.	.....	D15/132
D550,263	S	*	9/2007	Zhou	.....	D16/132
D587,290	S	*	2/2009	Meinzer	.....	D16/132

\* cited by examiner

*Primary Examiner*—T. Chase Nelson

*Assistant Examiner*—Michael A Pratt

(74) *Attorney, Agent, or Firm*—Thomas, Kayden,  
Horstemeyer & Risley, LLP; Todd Deveau

(57) **CLAIM**

The ornamental design for a sight, as shown and described.

**DESCRIPTION**

FIG. 1 is a perspective top view of my new sight;

FIG. 2 is a top plan view of my new sight of FIG. 1;

FIG. 3 is a bottom plan view of my new sight of FIG. 1;

FIG. 4 is a side elevational view of my new sight of FIG. 1;

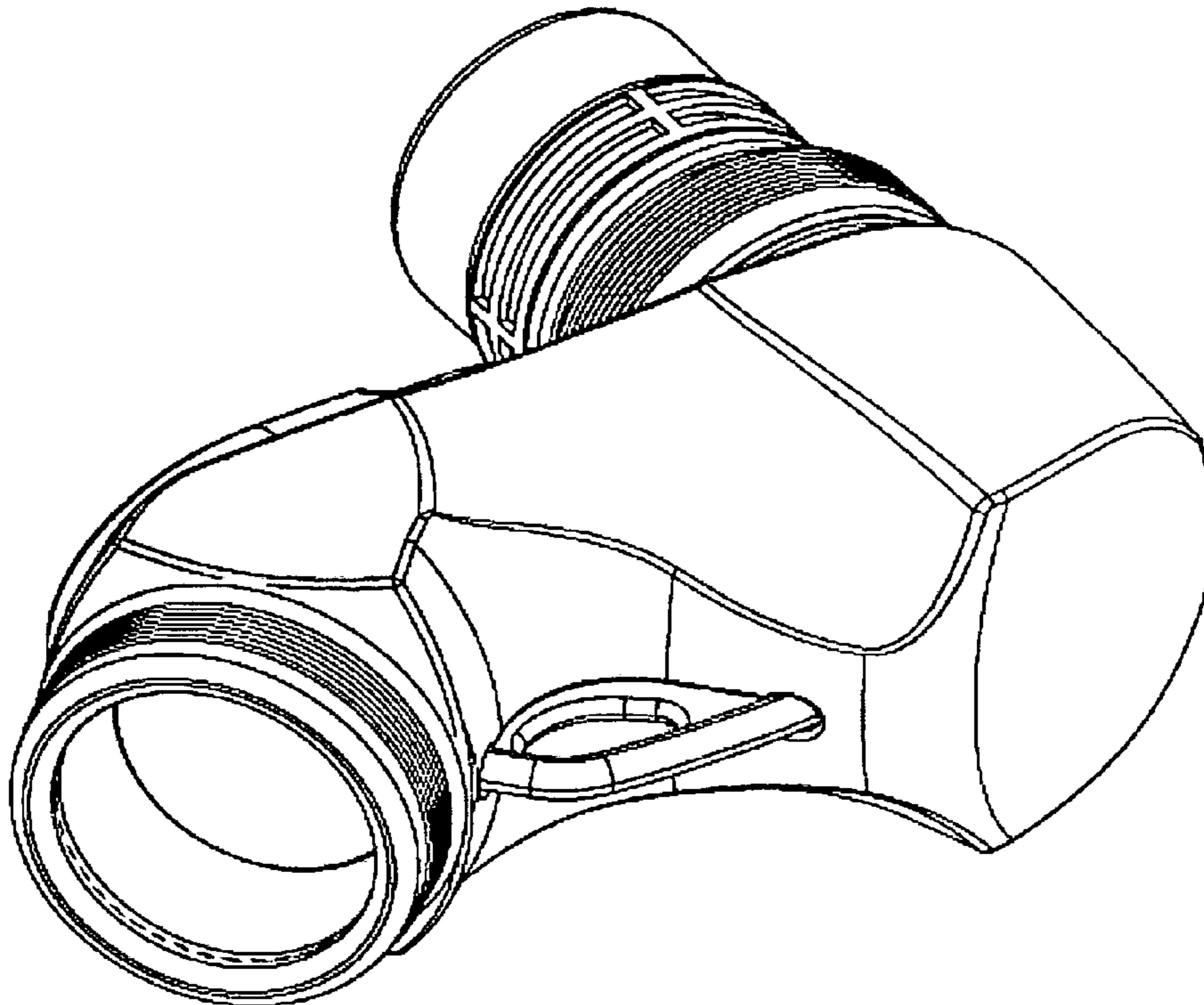
FIG. 5 is an end view of my new sight of FIG. 1 from the left side of FIG. 4;

FIG. 6 is a side elevational view of my sight from the side opposite that of FIG. 4; and,

FIG. 7 is an end view of my sight from the end opposite that of FIG. 5.

The broken line showing of portions of the sight in FIGS. 1 through 3 and 7 is included for the purpose of illustrating environment and forms no part of the claimed design.

**1 Claim, 7 Drawing Sheets**



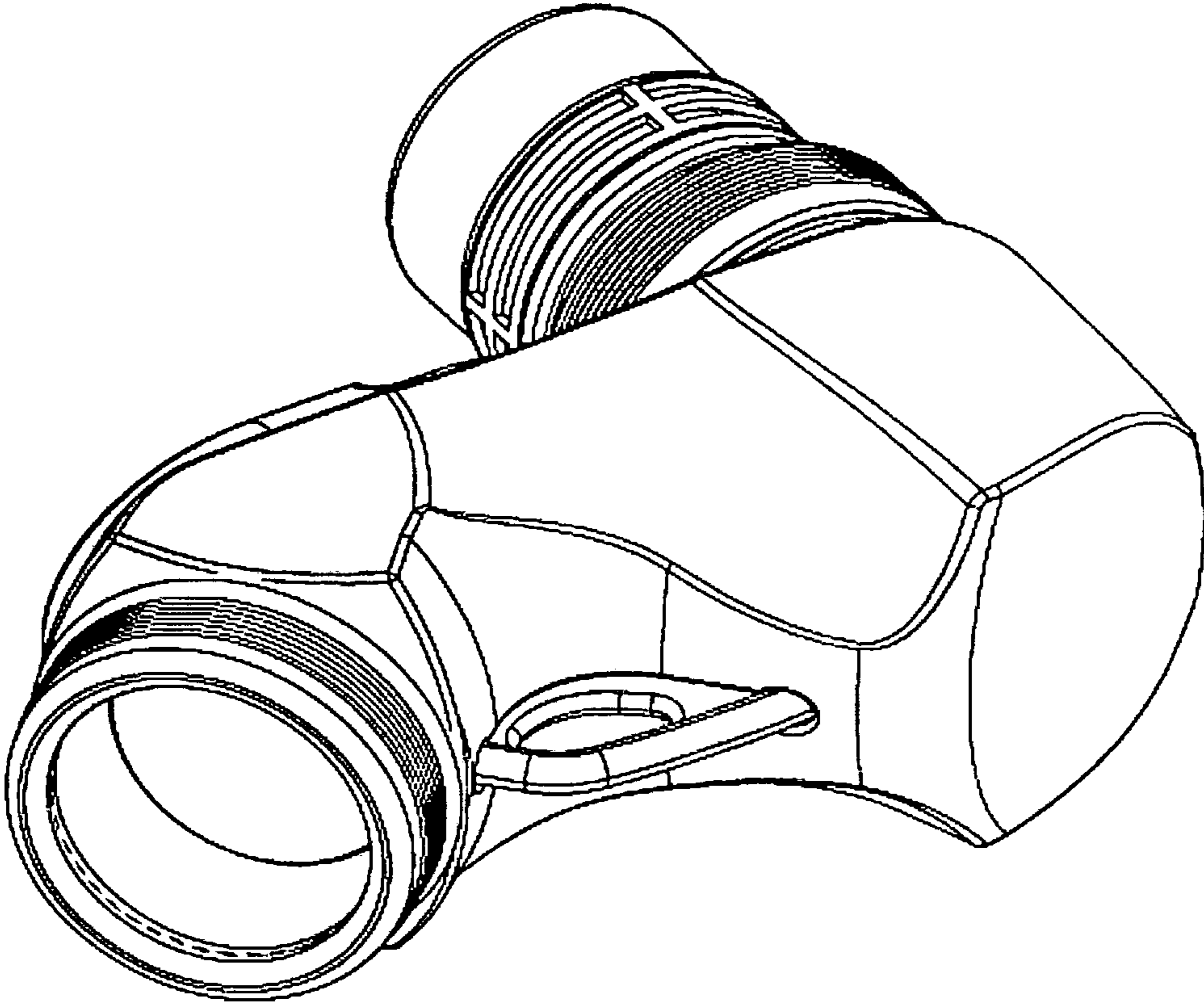


FIG. 1

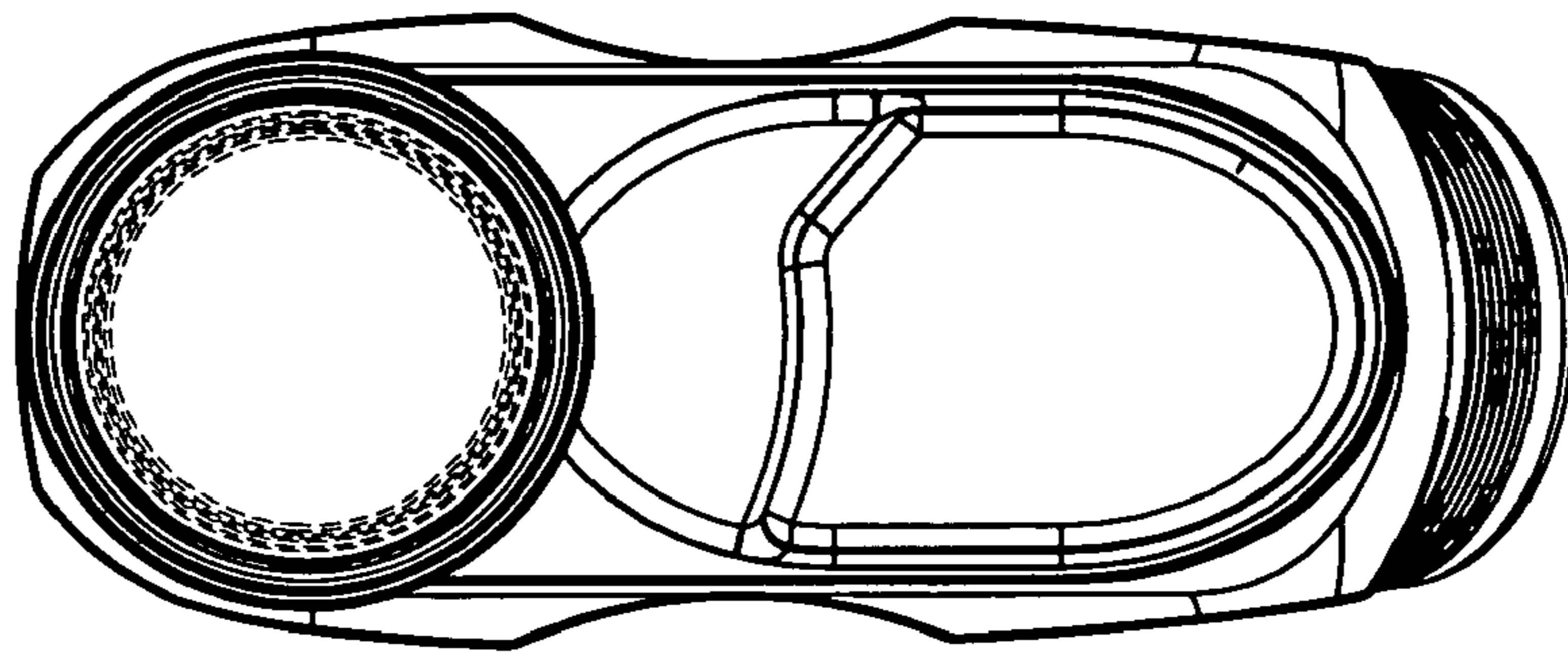


FIG. 2

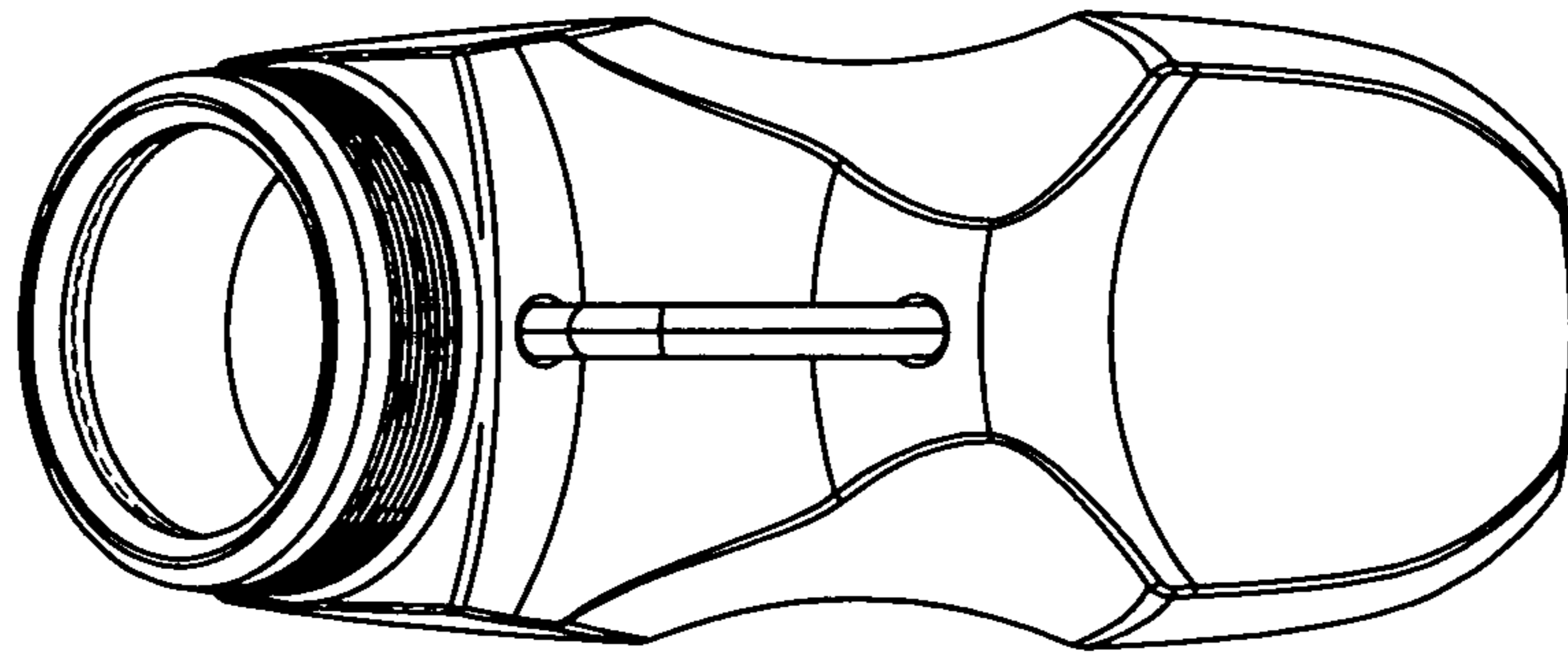


FIG. 3

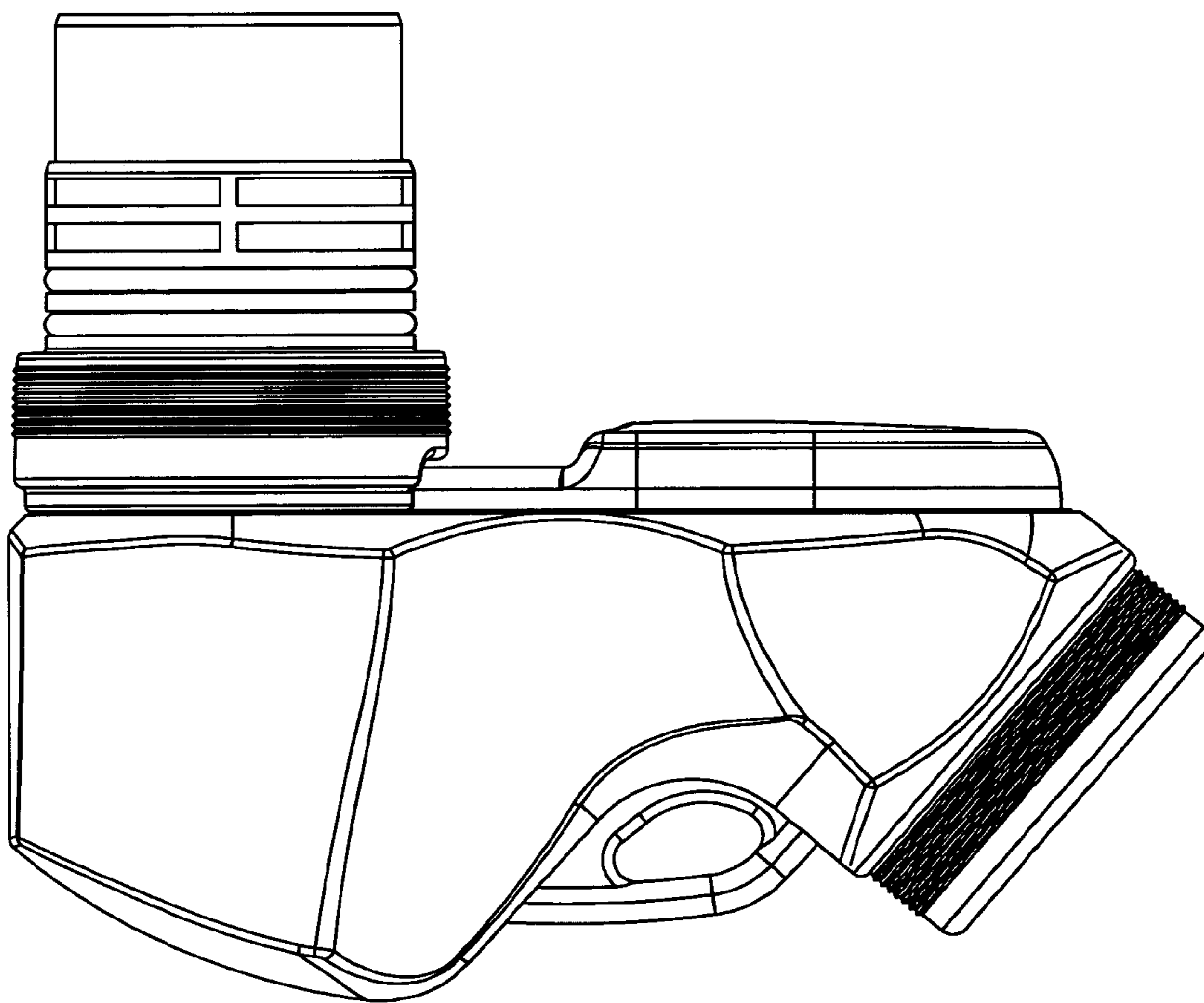


FIG. 4

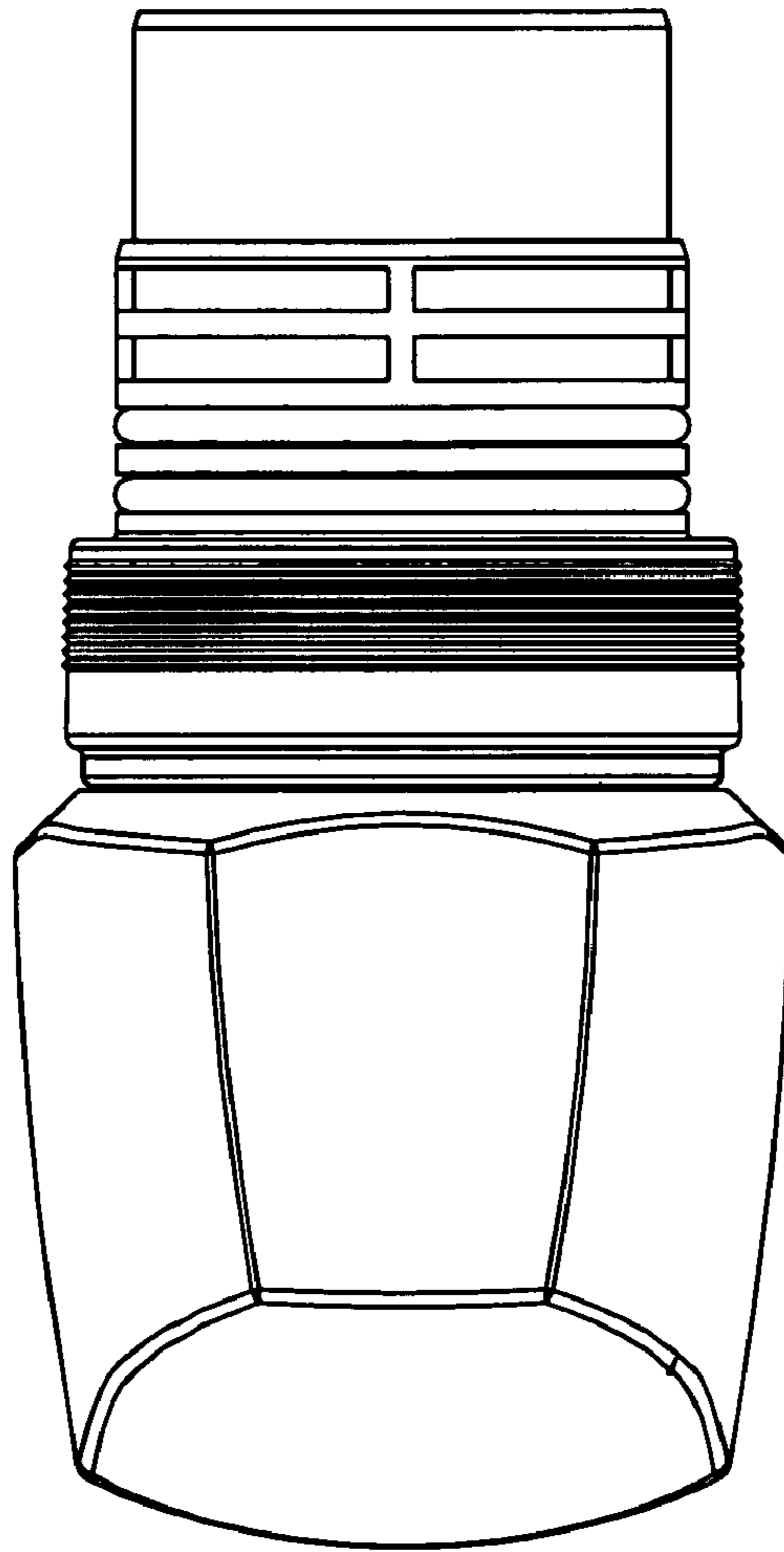


FIG. 5



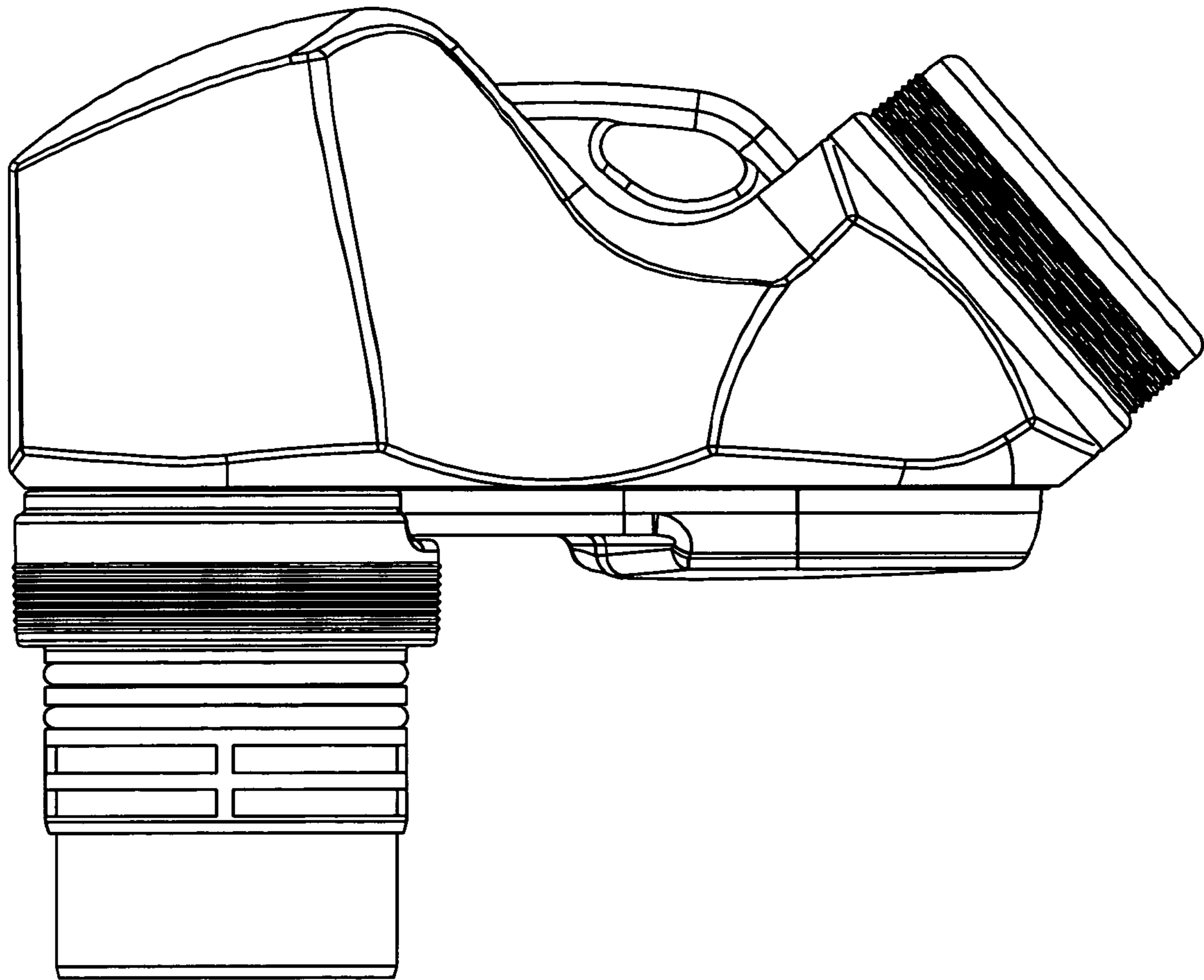


FIG. 6

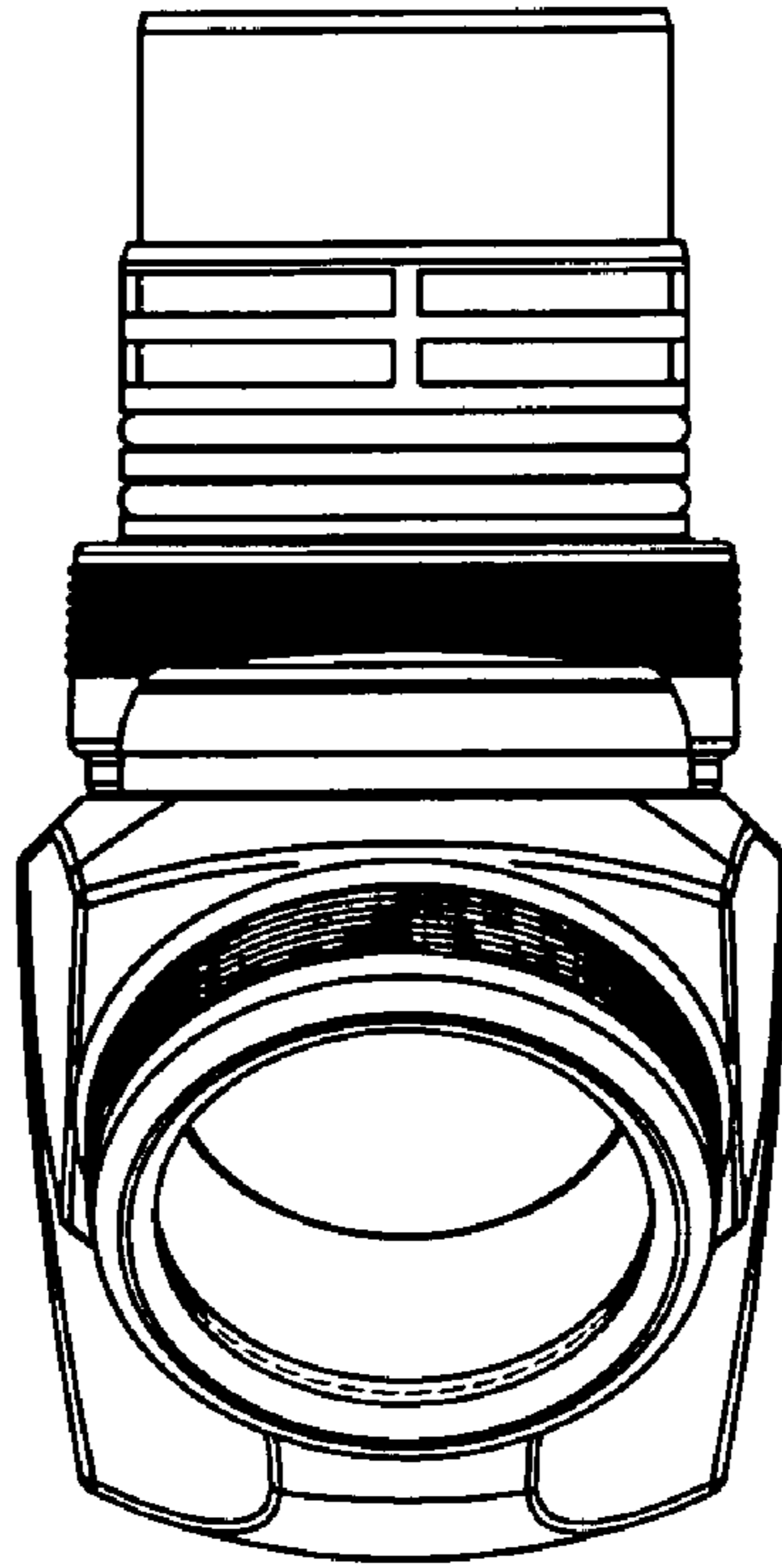


FIG. 7