



US00D613811S

(12) **United States Design Patent**
Swan

(10) **Patent No.:** **US D613,811 S**
(45) **Date of Patent:** **** Apr. 13, 2010**

(54) **WEAPON HANDGUARD**

(76) Inventor: **Richard E. Swan**, 171 West St., E.
Bridgewater, MA (US) 02333

(**) Term: **14 Years**

(21) Appl. No.: **29/339,647**

(22) Filed: **Jul. 3, 2009**

Related U.S. Application Data

(62) Division of application No. 29/330,753, filed on Jan. 14, 2009.

(51) **LOC (9) Cl.** **22-01**

(52) **U.S. Cl.** **D22/108**

(58) **Field of Classification Search** D22/100,
D22/108, 109, 110, 199; 42/11, 113, 116,
42/119, 124, 125, 127, 90, 145, 128, 72,
42/106, 114, 85, 75.02, 71.01; 248/205.1,
248/201; 89/40.06, 41.19, 37.04, 33.04,
89/191.01, 200-204; 124/67, 66, 74; D21/572,
D21/573

See application file for complete search history.

(56) **References Cited**

U.S. PATENT DOCUMENTS

3,075,314	A *	1/1963	Juestel	42/71.01
4,536,982	A *	8/1985	Bredbury et al.	42/71.01
4,663,875	A *	5/1987	Tatro	42/71.01
4,742,636	A *	5/1988	Swan	42/126
4,845,871	A *	7/1989	Swan	42/127
5,142,806	A *	9/1992	Swan	42/114
5,198,600	A *	3/1993	E'Nama	42/90
5,276,988	A *	1/1994	Swan	42/127
5,343,650	A *	9/1994	Swan	42/117
5,533,292	A *	7/1996	Swan	42/123
5,590,484	A *	1/1997	Mooney et al.	42/111
5,613,316	A *	3/1997	Hightower	42/85
5,826,363	A *	10/1998	Olson	42/75.01
6,453,594	B1 *	9/2002	Griffin	42/105
6,490,822	B1 *	12/2002	Swan	42/71.01
6,499,245	B1 *	12/2002	Swan	42/71.01

6,508,027	B1	1/2003	Kim	
6,618,976	B1	9/2003	Swan	
6,655,069	B2 *	12/2003	Kim	42/114
6,671,990	B1 *	1/2004	Booth	42/75.01
6,694,660	B1 *	2/2004	Davies	42/75.01
6,792,711	B2 *	9/2004	Battaglia	42/114
6,839,998	B1 *	1/2005	Armstrong	42/71.01
D507,620	S *	7/2005	Swan	D22/109
7,059,076	B2 *	6/2006	Stoner et al.	42/75.01
7,216,451	B1 *	5/2007	Troy	42/72
2003/0230022	A1 *	12/2003	Battaglia	42/111
2004/0000083	A1	1/2004	Grant, Jr.	
2004/0049964	A1 *	3/2004	Vais	42/75.02
2005/0000142	A1	1/2005	Kim et al.	
2007/0033851	A1 *	2/2007	Hochstrate et al.	42/75.01

* cited by examiner

Primary Examiner—T. Chase Nelson

Assistant Examiner—Michael A Pratt

(74) *Attorney, Agent, or Firm*—Barlow, Josephs & Holmes, Ltd

(57) **CLAIM**

The ornamental design for a weapon handguard, as shown and described.

DESCRIPTION

FIG. 1 is a perspective view of the weapon handguard in accordance with the present invention;

FIG. 2 is a right side view thereof;

FIG. 3 is a left side view thereof;

FIG. 4 is a top view thereof;

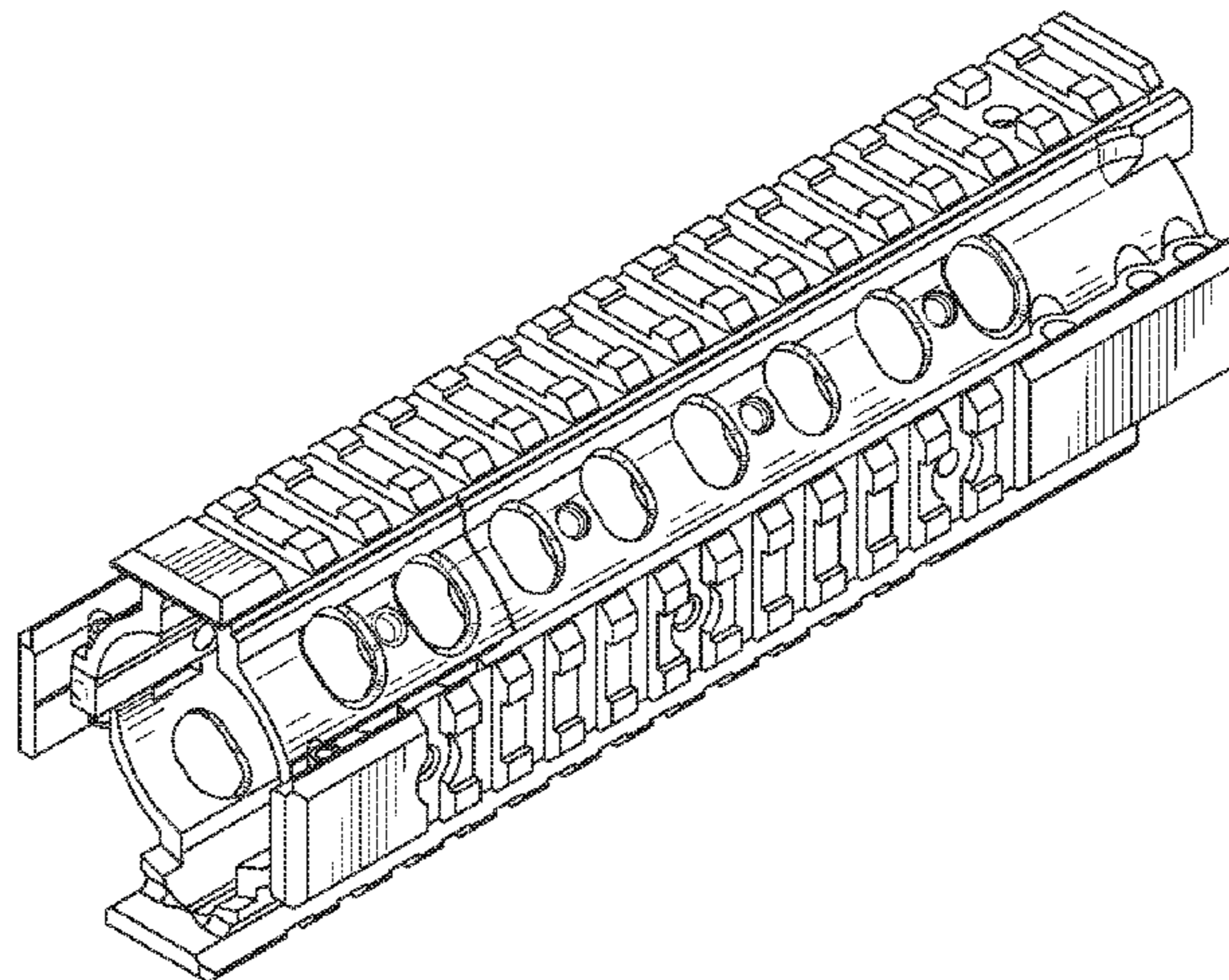
FIG. 5 is a bottom view thereof;

FIG. 6 is a front view thereof; and,

FIG. 7 is a rear view thereof.

The broken line showing of portions of the weapon hand guard in FIGS. 1, 5 and 6 is included for the purpose of illustrating environment and forms no part of the claimed design.

1 Claim, 4 Drawing Sheets



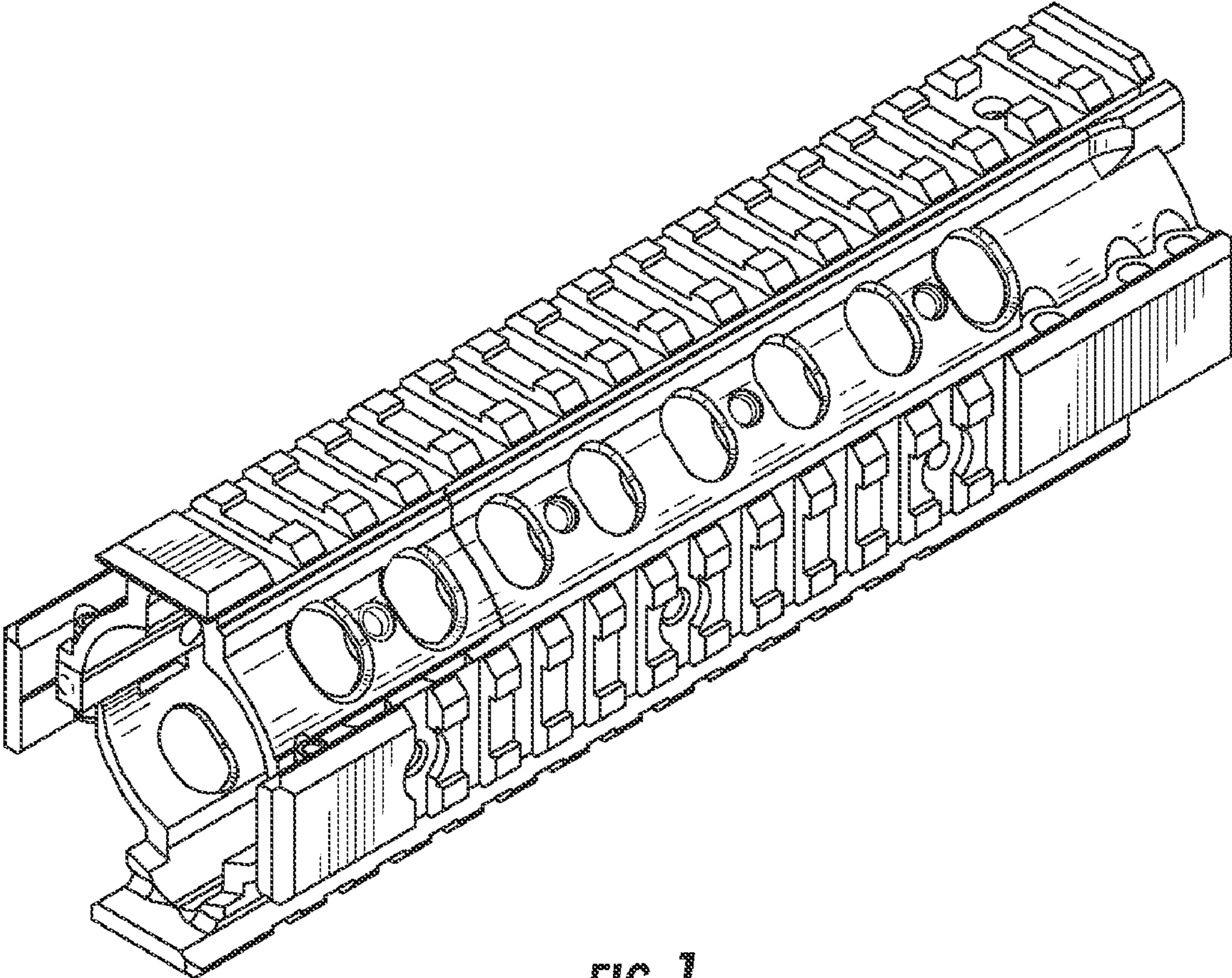


FIG. 1

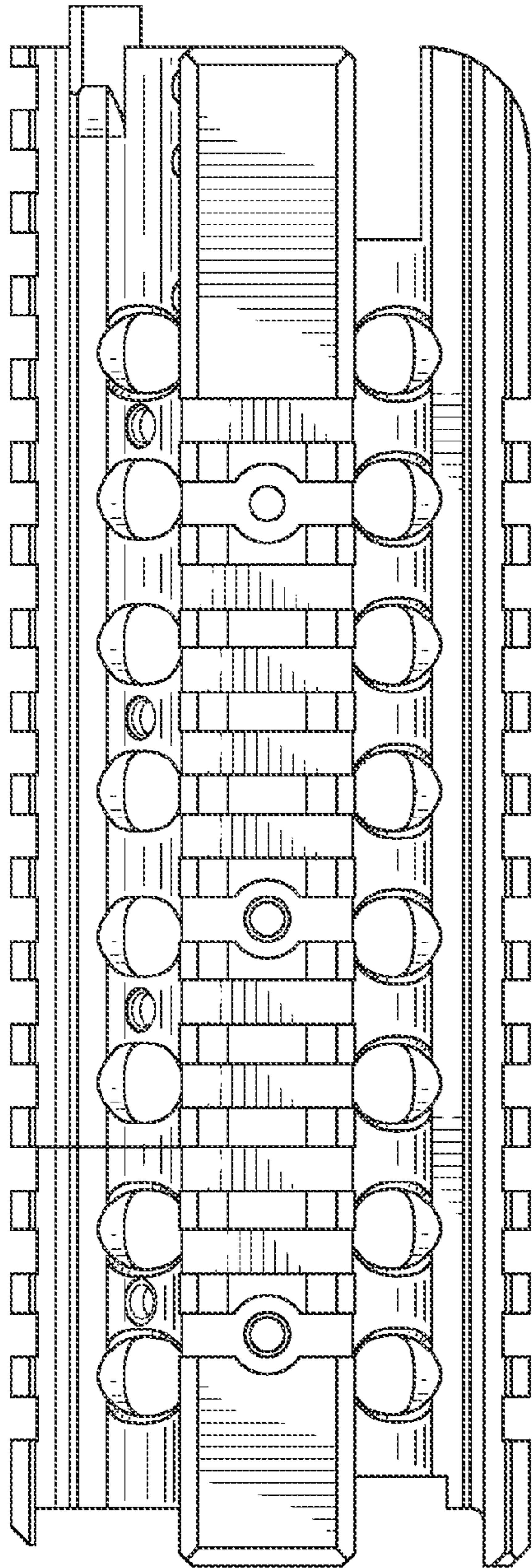


FIG. 2

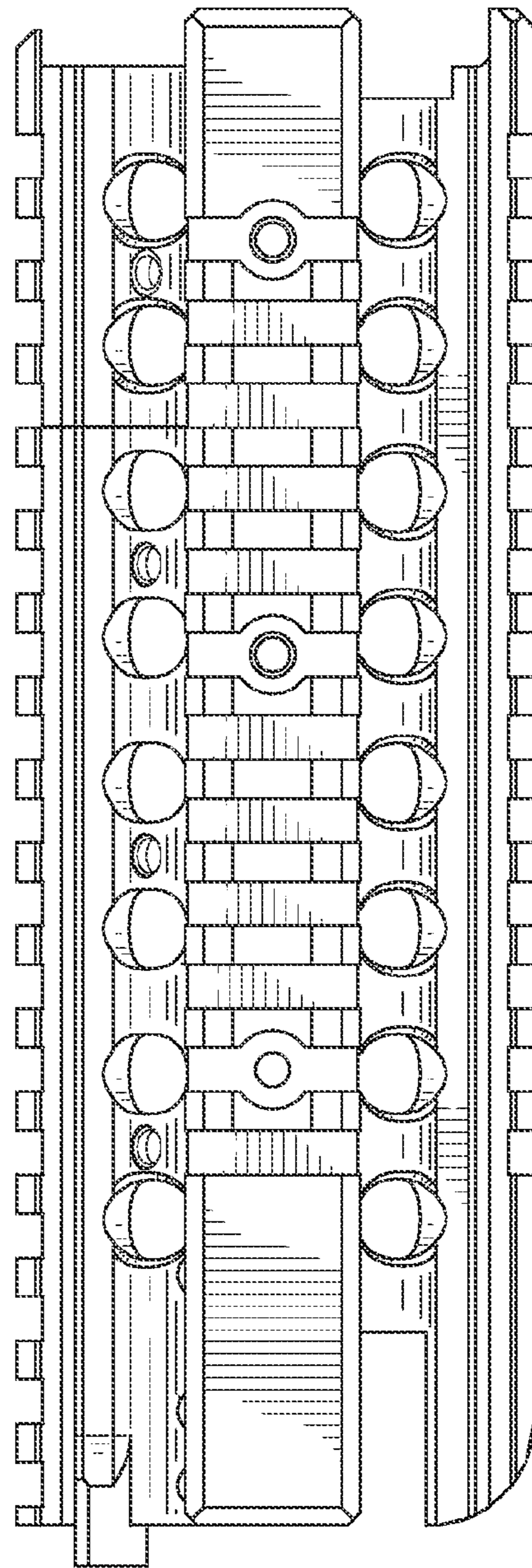


FIG. 3

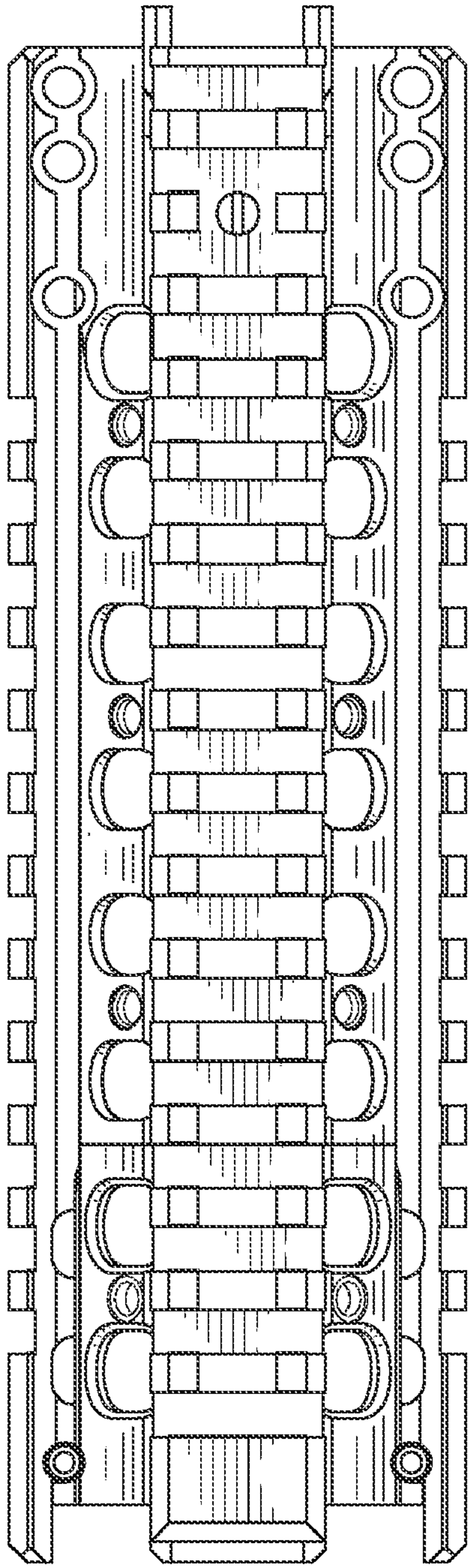


FIG. 4

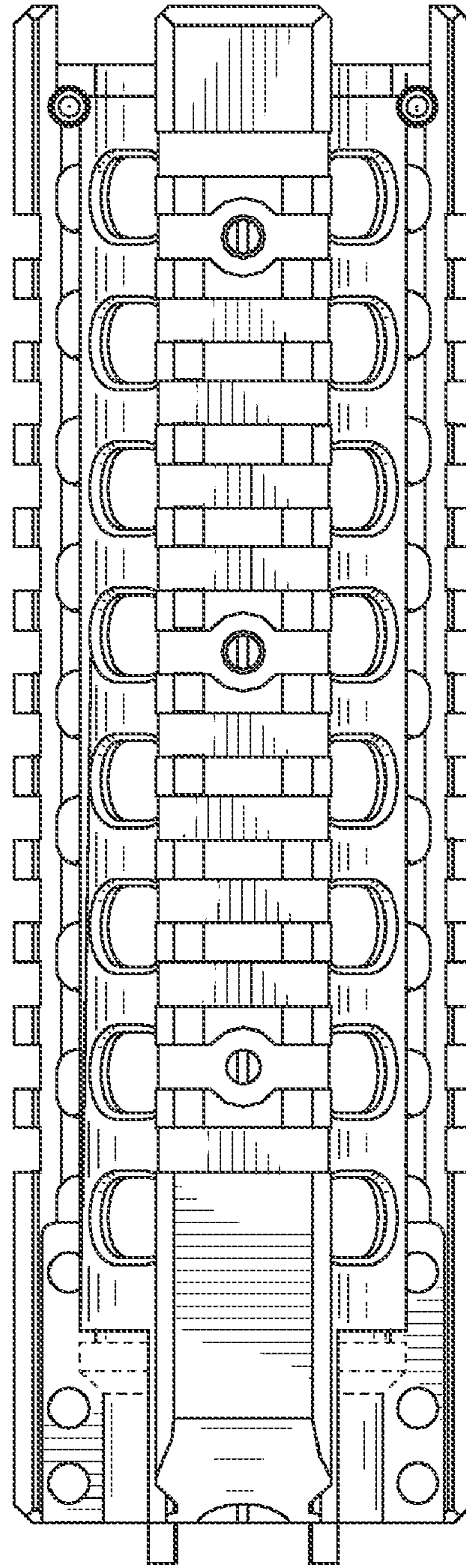


FIG. 5

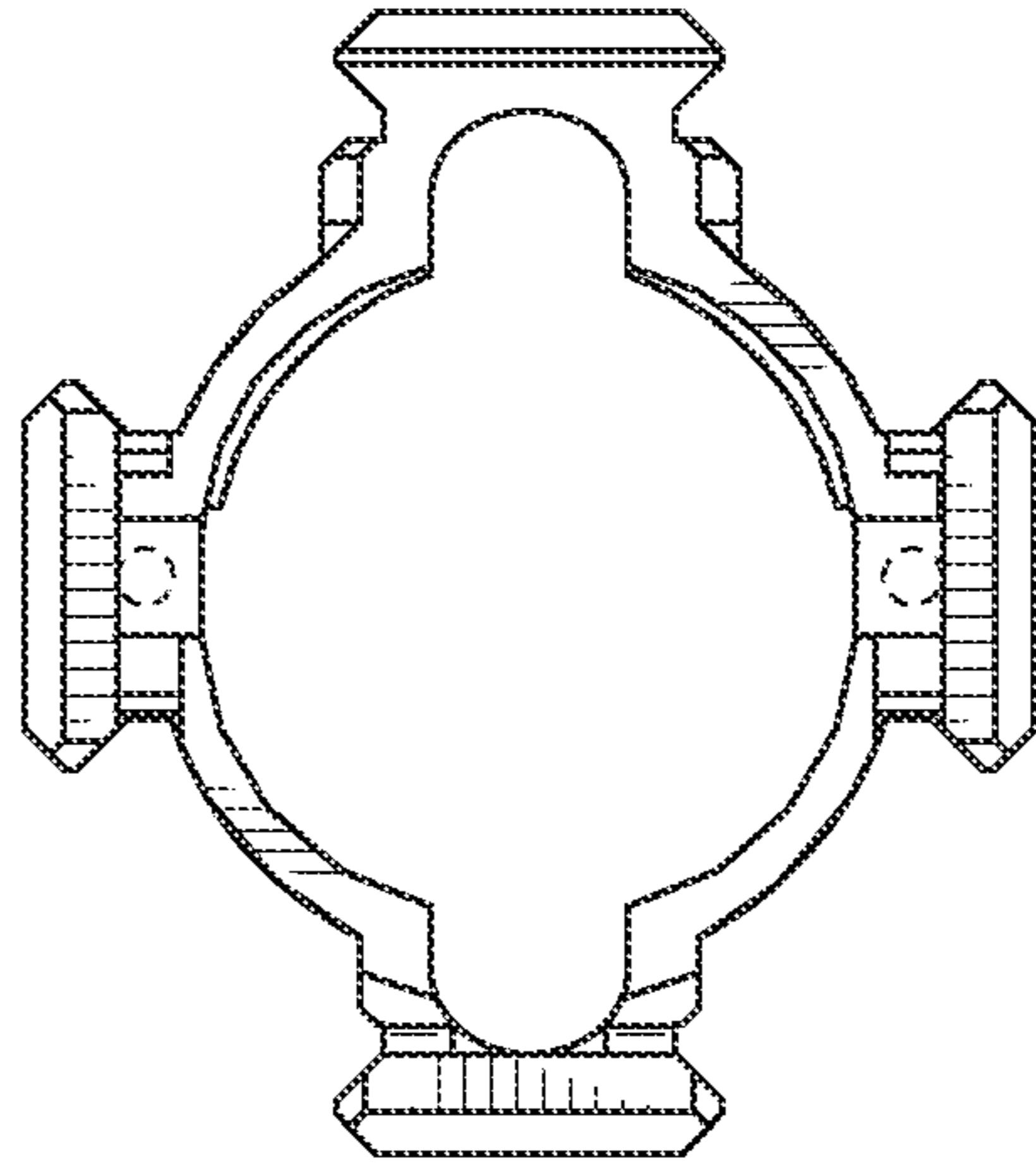


FIG. 6

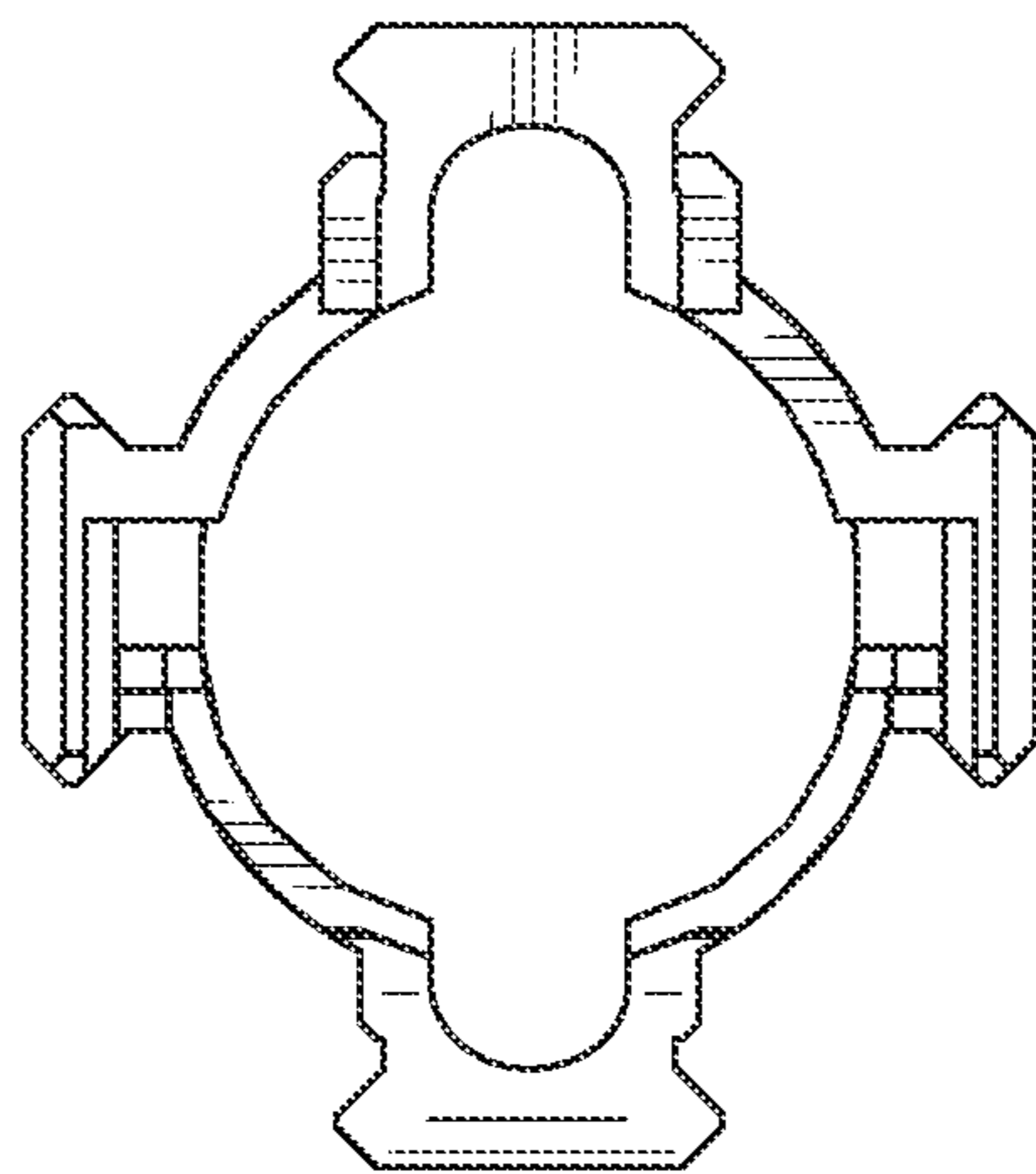


FIG. 7