



US00D613810S

(12) **United States Design Patent**  
**Gulledge**

(10) **Patent No.:** **US D613,810 S**  
(45) **Date of Patent:** **\*\* Apr. 13, 2010**

(54) **MUZZLE ATTACHMENT CLIP**

D534,235 S \* 12/2006 Price ..... D22/108  
D536,054 S \* 1/2007 Price ..... D22/108

(75) Inventor: **R. Scott Gulledge**, Snow Camp, NC  
(US)

\* cited by examiner

(73) Assignee: **DPH Arms, Inc**, Burlington, NC (US)

*Primary Examiner*—T. Chase Nelson  
*Assistant Examiner*—Michael A Pratt

(\*\*) Term: **14 Years**

(57) **CLAIM**

(21) Appl. No.: **29/329,319**

The ornamental design for a muzzle attachment clip, as shown and described.

(22) Filed: **Dec. 12, 2008**

(51) **LOC (9) Cl.** ..... **22-01**

(52) **U.S. Cl.** ..... **D22/108**

(58) **Field of Classification Search** ..... D22/100,  
D22/108, 199; 42/79, 90, 1.06; 89/14.3,  
89/14.4; 181/223

See application file for complete search history.

**DESCRIPTION**

FIG. 1 is a top, front, right side perspective view of a muzzle attachment clip embodying my design;

FIG. 2 is a rear elevational view thereof, the front elevational view being a mirror image thereof;

FIG. 3 is a left side elevational view thereof, the right side elevational view being a mirror image thereof;

FIG. 4 is a top plan view thereof; and,

FIG. 5 is a bottom plan view thereof.

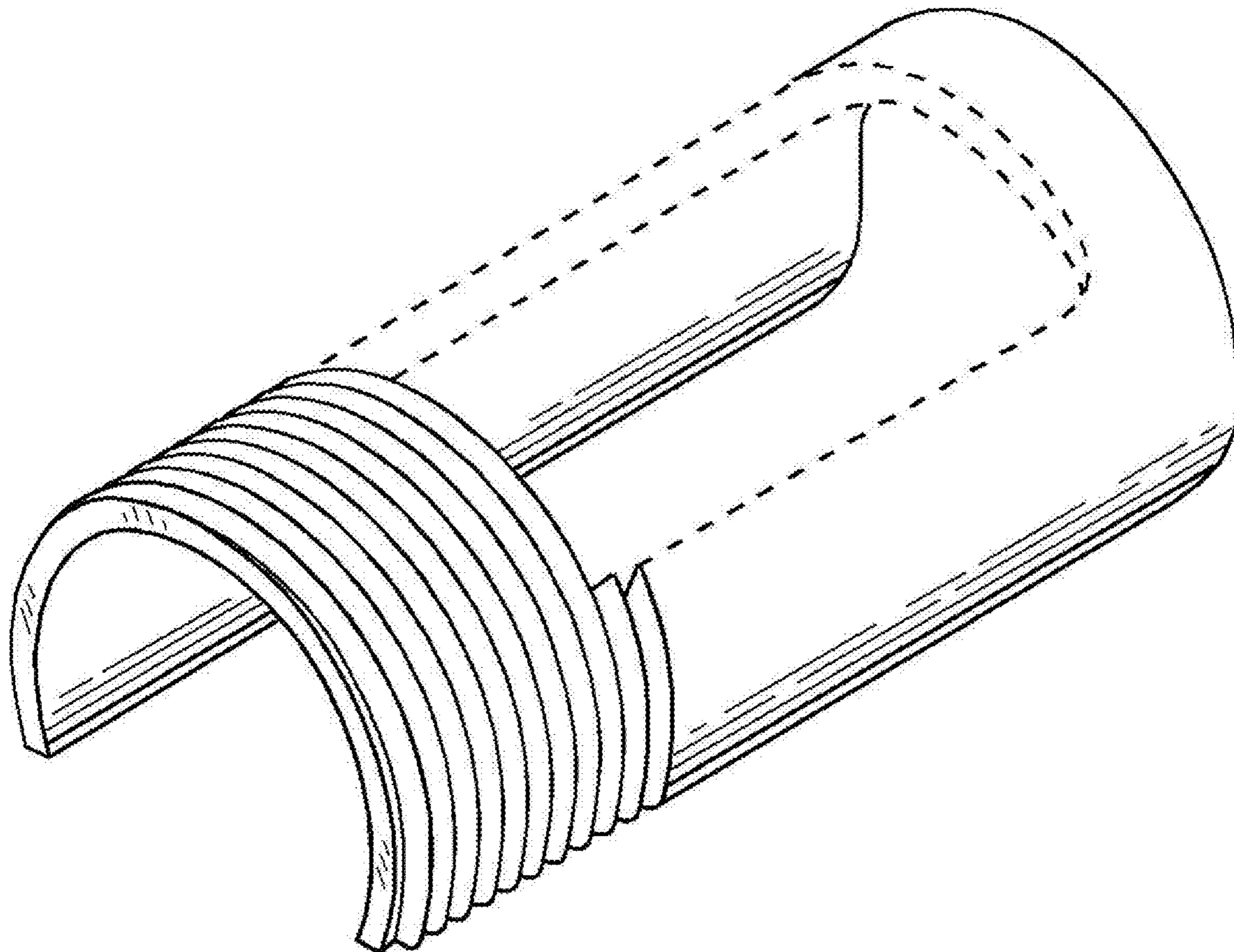
The broken lines demonstrate a slot and form no part of the claimed design.

(56) **References Cited**

**U.S. PATENT DOCUMENTS**

2,809,560	A *	10/1957	Matson et al.	.....	89/14.3
4,207,799	A *	6/1980	Tocco	.....	89/196
D268,861	S *	5/1983	Gwinn, Jr.	.....	D22/108
4,769,938	A *	9/1988	Chesnut et al.	.....	42/76.02
D532,072	S *	11/2006	Price	.....	D22/108

**1 Claim, 2 Drawing Sheets**



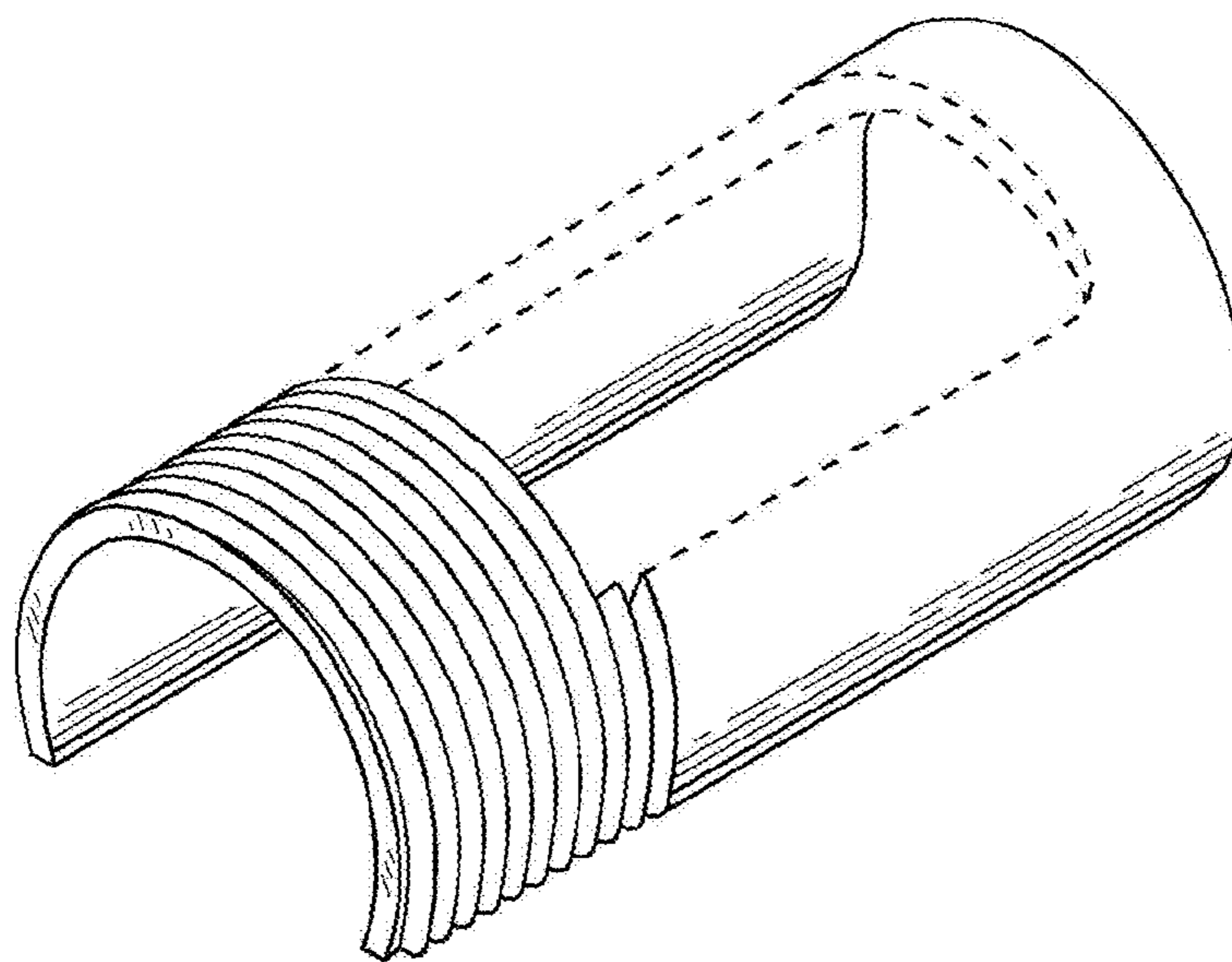


Fig. 1

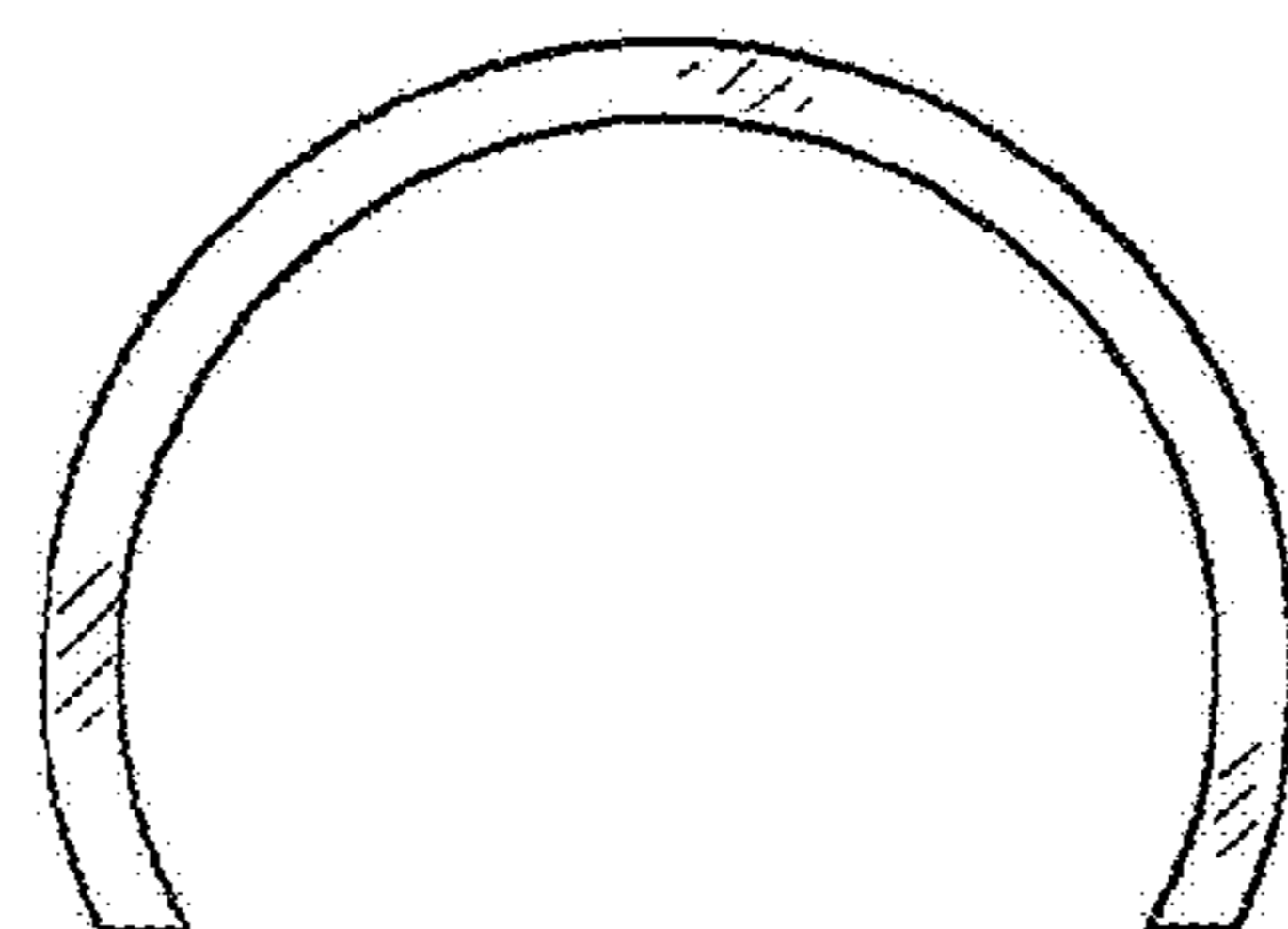


Fig. 2

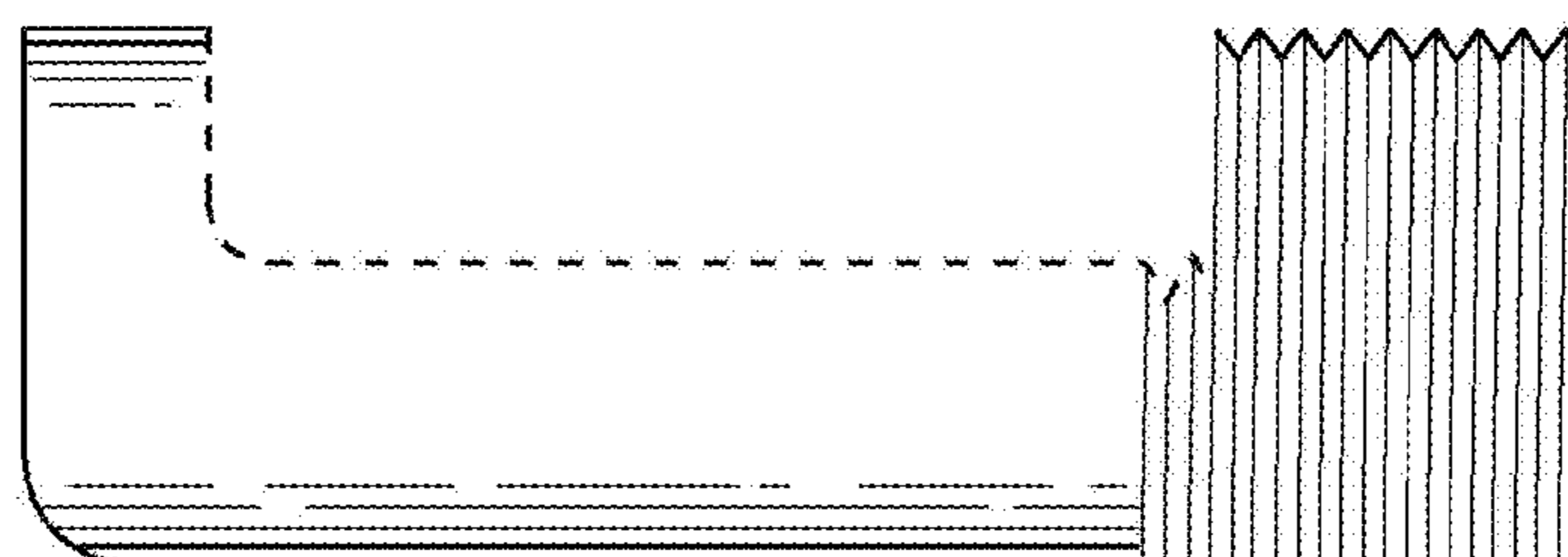


Fig. 3

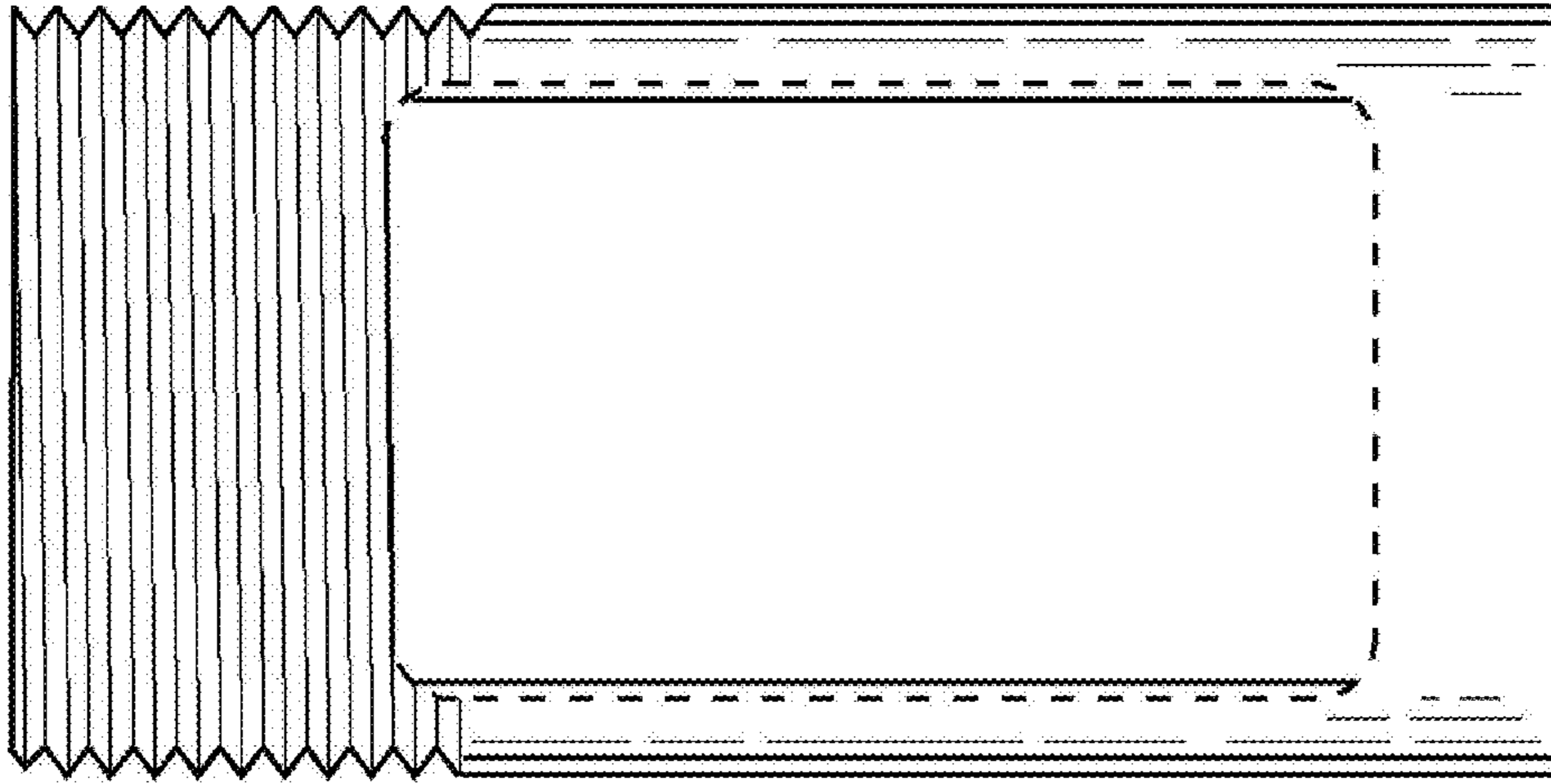


Fig. 4

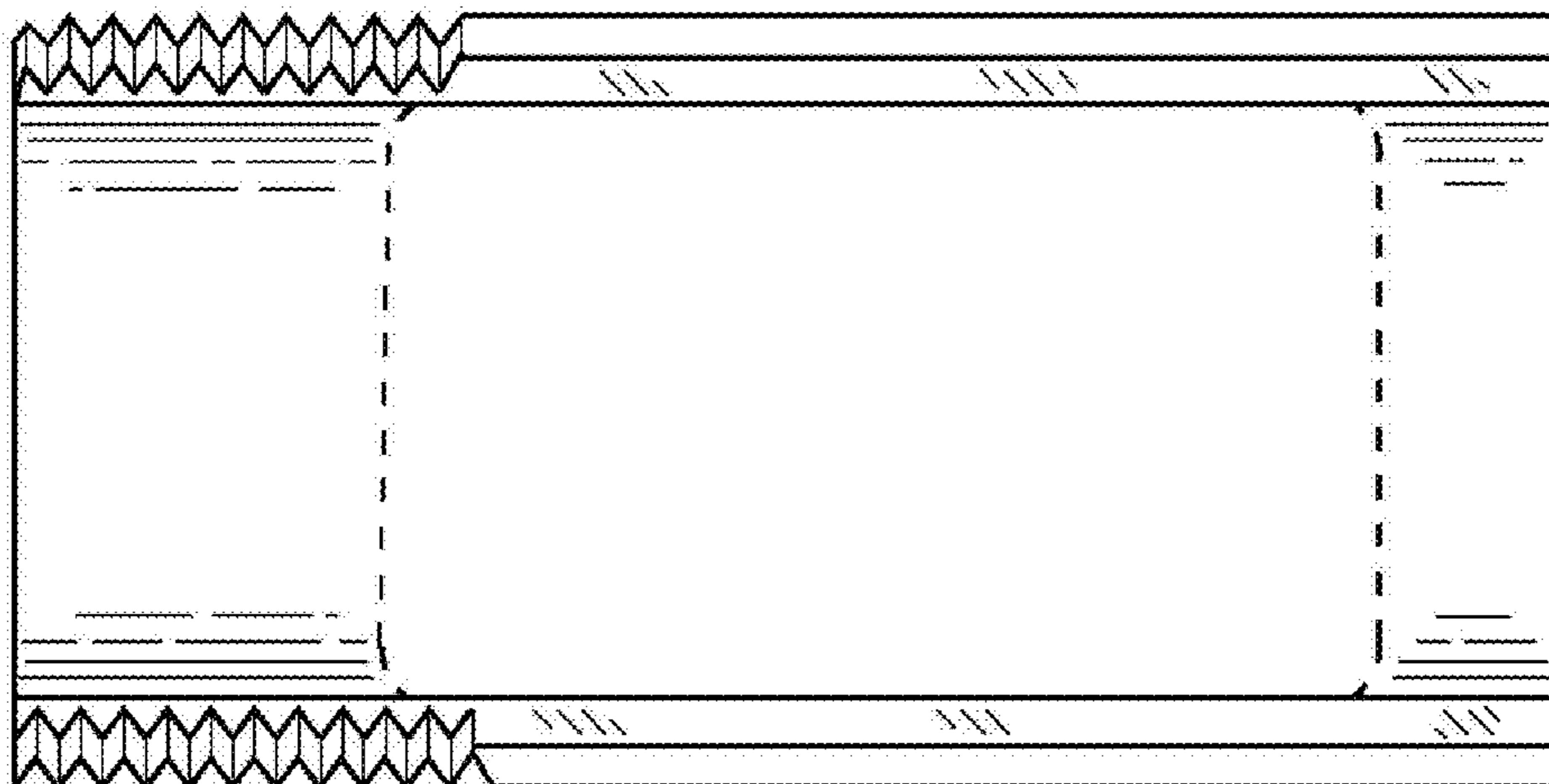


Fig. 5