



US00D613809S

(12) **United States Design Patent**
Barnes et al.

(10) **Patent No.:** **US D613,809 S**
(45) **Date of Patent:** **** Apr. 13, 2010**

(54) **ANTLER-SHAPED ARROW QUIVER**

(75) Inventors: **Michael E. Barnes**, Cadillac, MI (US);
Richard F. Mowery, Atlanta, MI (US)

(73) Assignee: **The Bohning Company, Ltd**, Lake City,
MI (US)

(**) Term: **14 Years**

(21) Appl. No.: **29/296,841**

(22) Filed: **Oct. 30, 2007**

(51) **LOC (9) Cl.** **22-01**

(52) **U.S. Cl.** **D22/107**

(58) **Field of Classification Search** D22/107;
124/89, 86, 87, 88; D10/96; D21/573, 753,
D21/789, 791; 473/300

See application file for complete search history.

(56) **References Cited**

U.S. PATENT DOCUMENTS

4,823,764 A * 4/1989 Knaack 124/88

(Continued)

Primary Examiner—T. Chase Nelson

Assistant Examiner—Michael A Pratt

(74) *Attorney, Agent, or Firm*—Smith Frohwein Tempel
Greenlee Blaha, LLC; Gregory Scott Smith

(57) **CLAIM**

The ornamental design for an antler-shaped arrow quiver, as
shown and described.

DESCRIPTION

FIG. 1 is a perspective view illustrating a first embodiment of
the design for an antler-shaped arrow quiver;

FIG. 2 is a top view of the first embodiment;

FIG. 3 is a bottom view of the first embodiment;

FIG. 4 is a front view thereof illustrating an arrow inserted
into the arrow quiver, the arrow being disclaimed as part of the
claim;

FIG. 5 is a right-side view of the first embodiment;

FIG. 6 is a back view of the first embodiment;

FIG. 7 is a left-side view of the first embodiment;

FIG. 8 is cross section view taken along 8—8;

FIG. 9 is a bottom view of the arrow holder, removed for
clarity;

FIG. 10 is a perspective view illustrating a second embodi-
ment of the design for an antler-shaped arrow quiver;

FIG. 11 is a top view of the second embodiment;

FIG. 12 is a bottom view of the second embodiment;

FIG. 13 is a front view thereof illustrating an arrow inserted
into the arrow quiver, the arrow being disclaimed as part of the
claim;

FIG. 14 is a right-side view of the second embodiment;

FIG. 15 is a back view of the second embodiment;

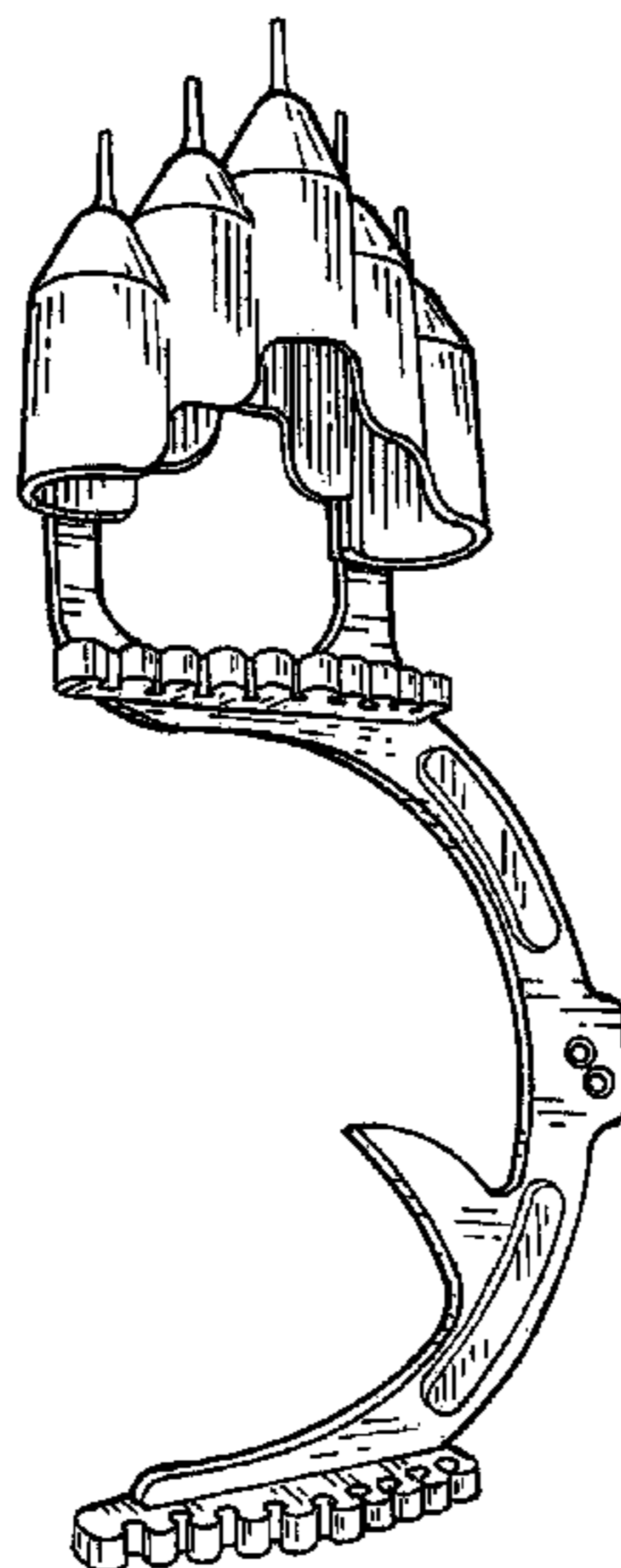
FIG. 16 is a left-side view of the second embodiment;

FIG. 17 is a cross section view taken along 17—17; and,

FIG. 18 is a bottom view of the arrow holder, removed for
clarity.

Two embodiments of the invention are provided. The first
illustrated embodiment (FIGS. 1–9) shows the structure of
the claimed antler-shaped arrow quiver with a first stem size.
The second illustrated embodiment (FIGS. 10–18) shows the
structure of the claimed antler-shaped arrow quiver with a
second stem size. The broken line showing of an arrow in
FIGS. 4 and 13 and indicia in FIGS. 2, 3, 9, 11, 12 and 18 is
included for the purpose of illustrating environment and
forms no part of the claimed design.

1 Claim, 8 Drawing Sheets



US D613,809 S

Page 2

U.S. PATENT DOCUMENTS

5,114,107 A *	5/1992	Mahn et al.	248/217.4	2003/0140913 A1*	7/2003	Stinson	124/86
5,190,022 A *	3/1993	Larson	124/25.7	2008/0302346 A1*	12/2008	Notestine	124/25.7

* cited by examiner

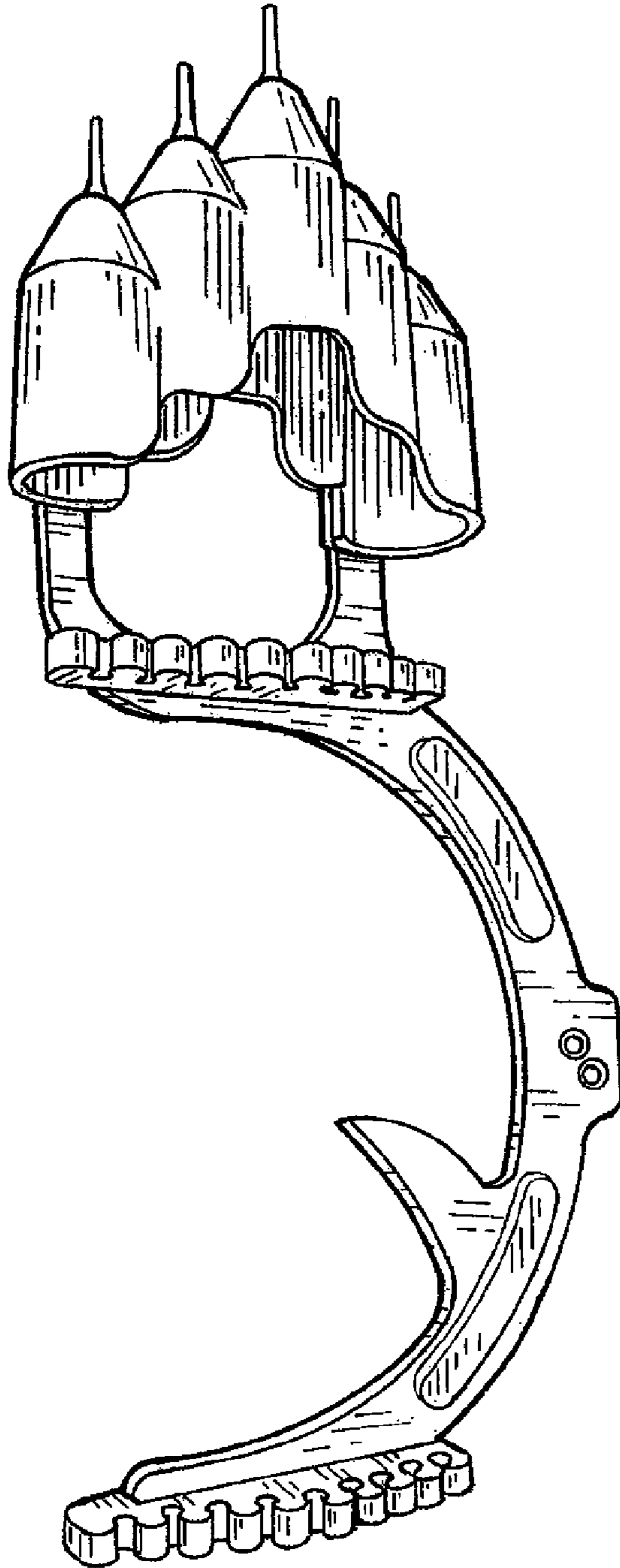


FIG. 1

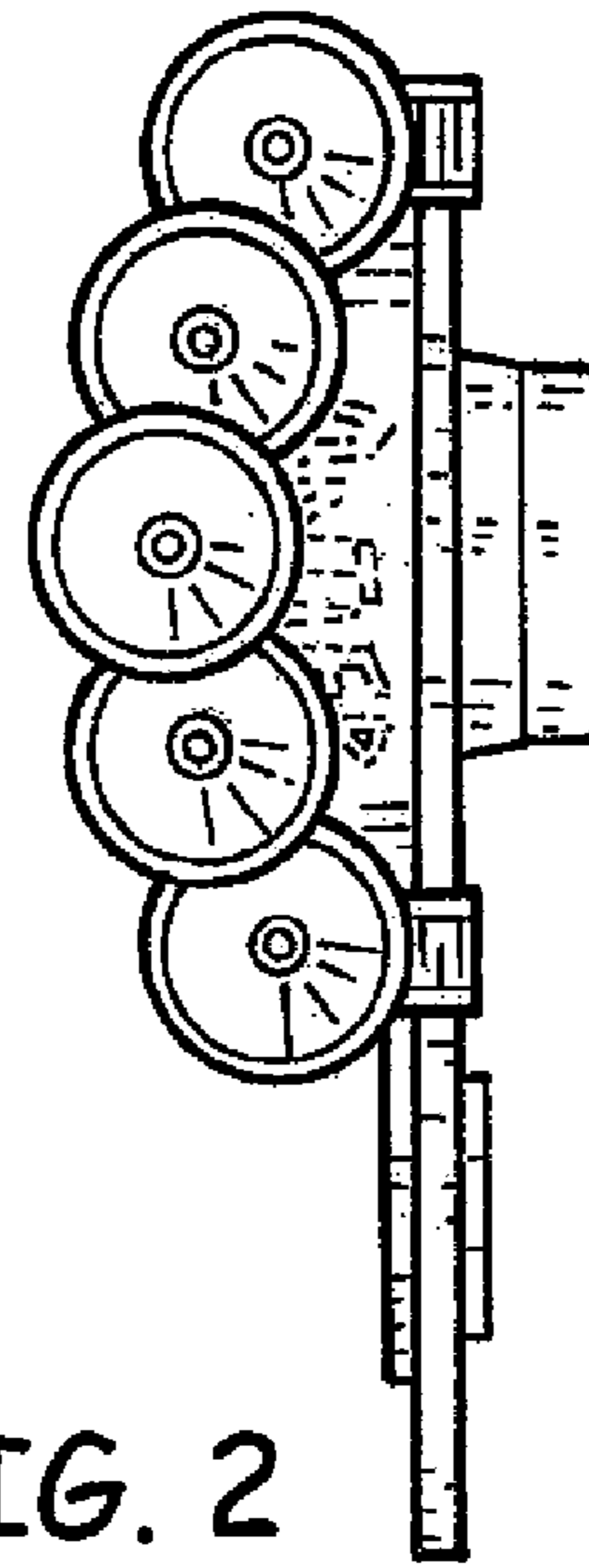


FIG. 2

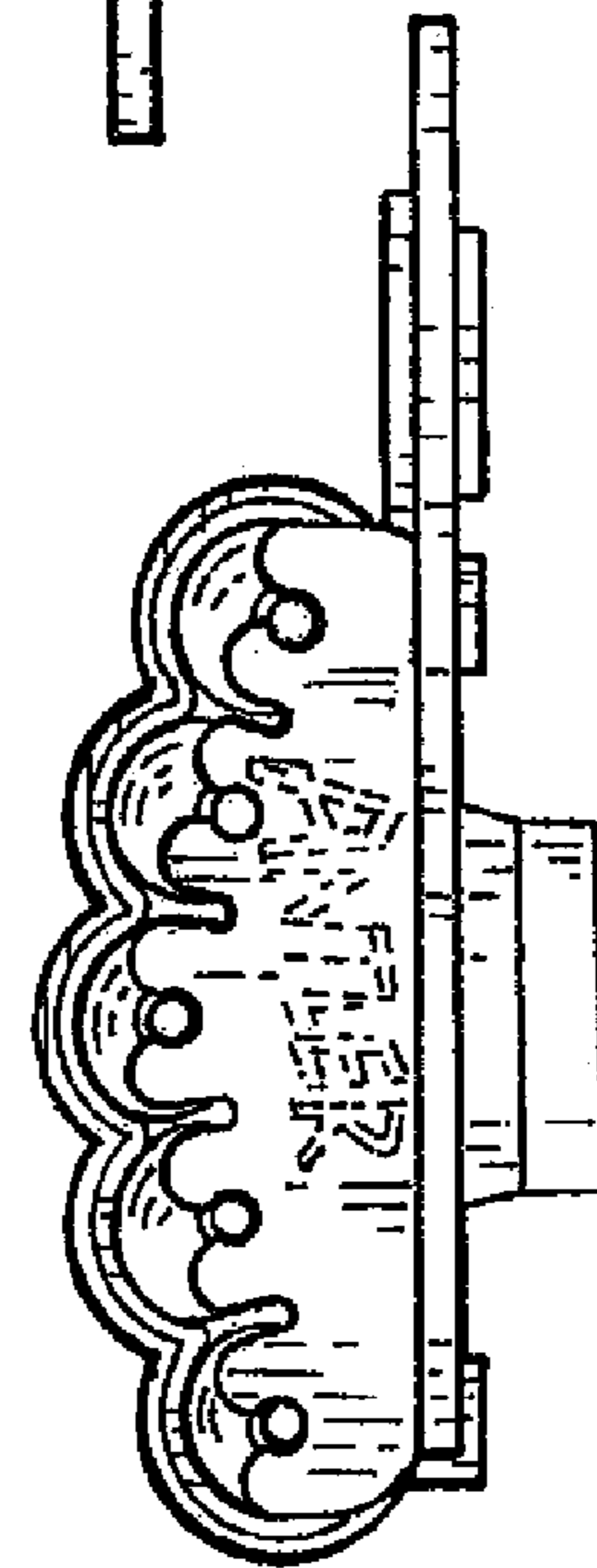
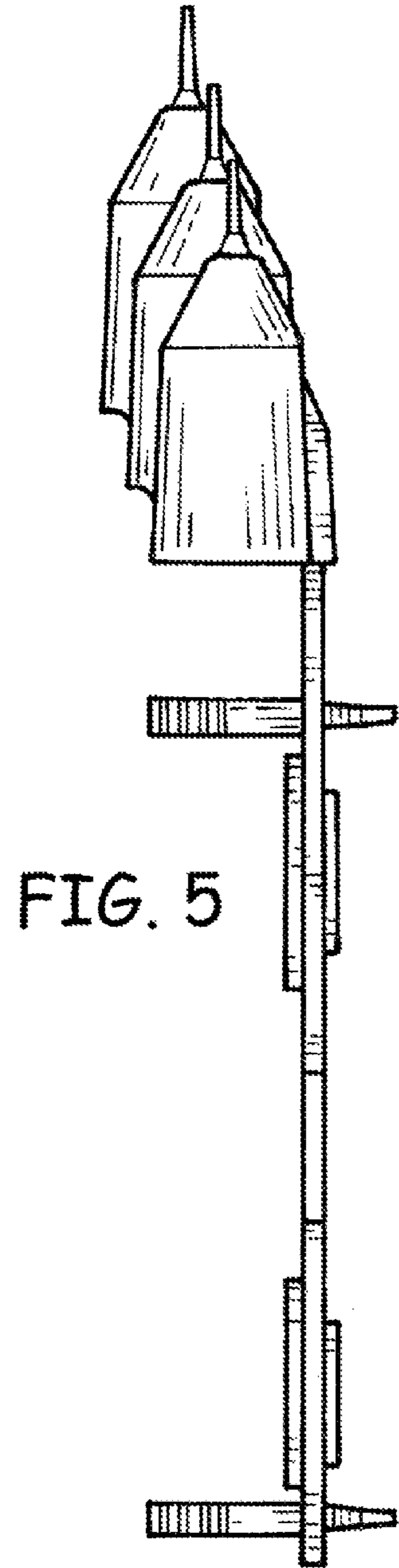
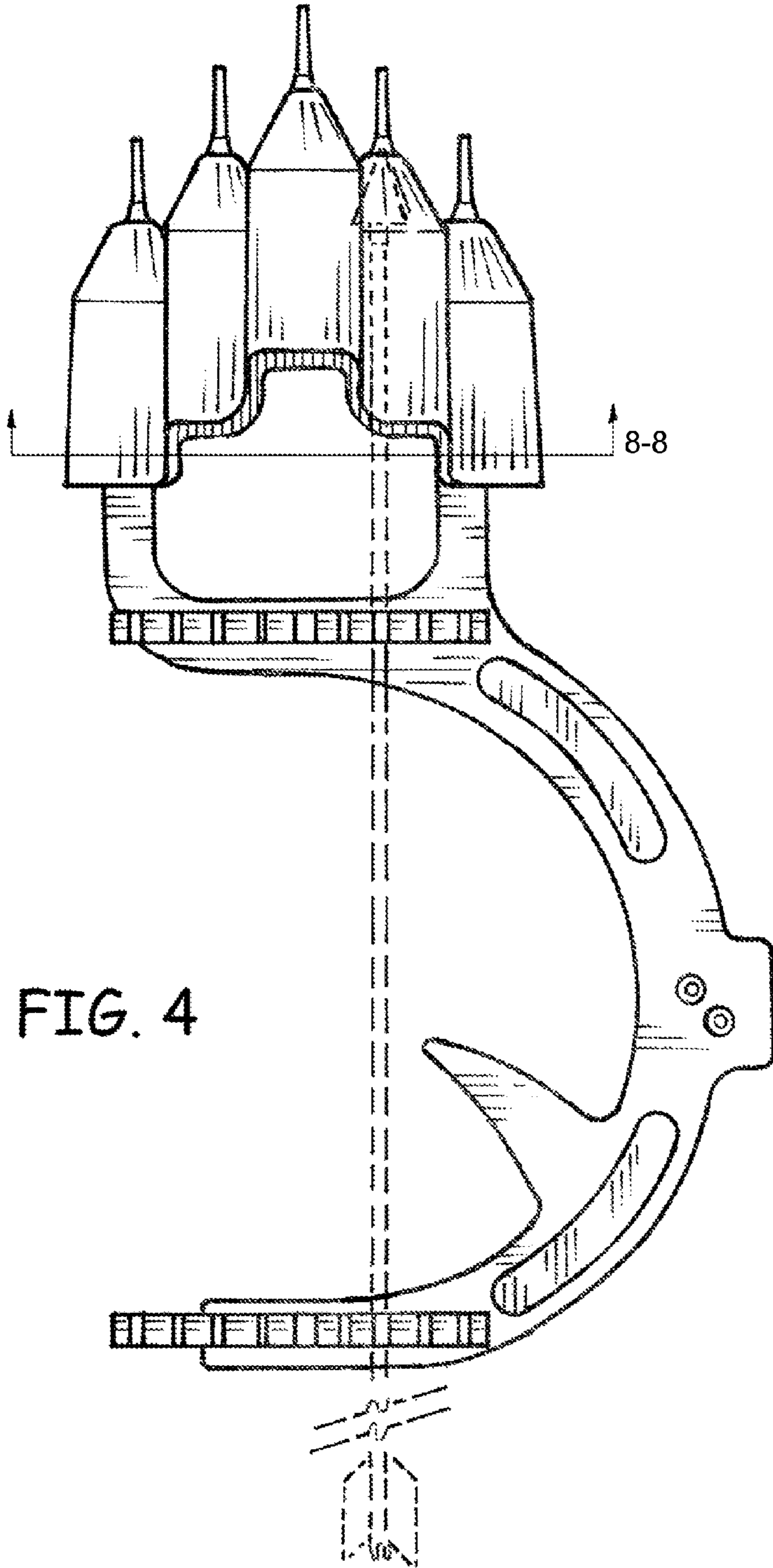


FIG. 3



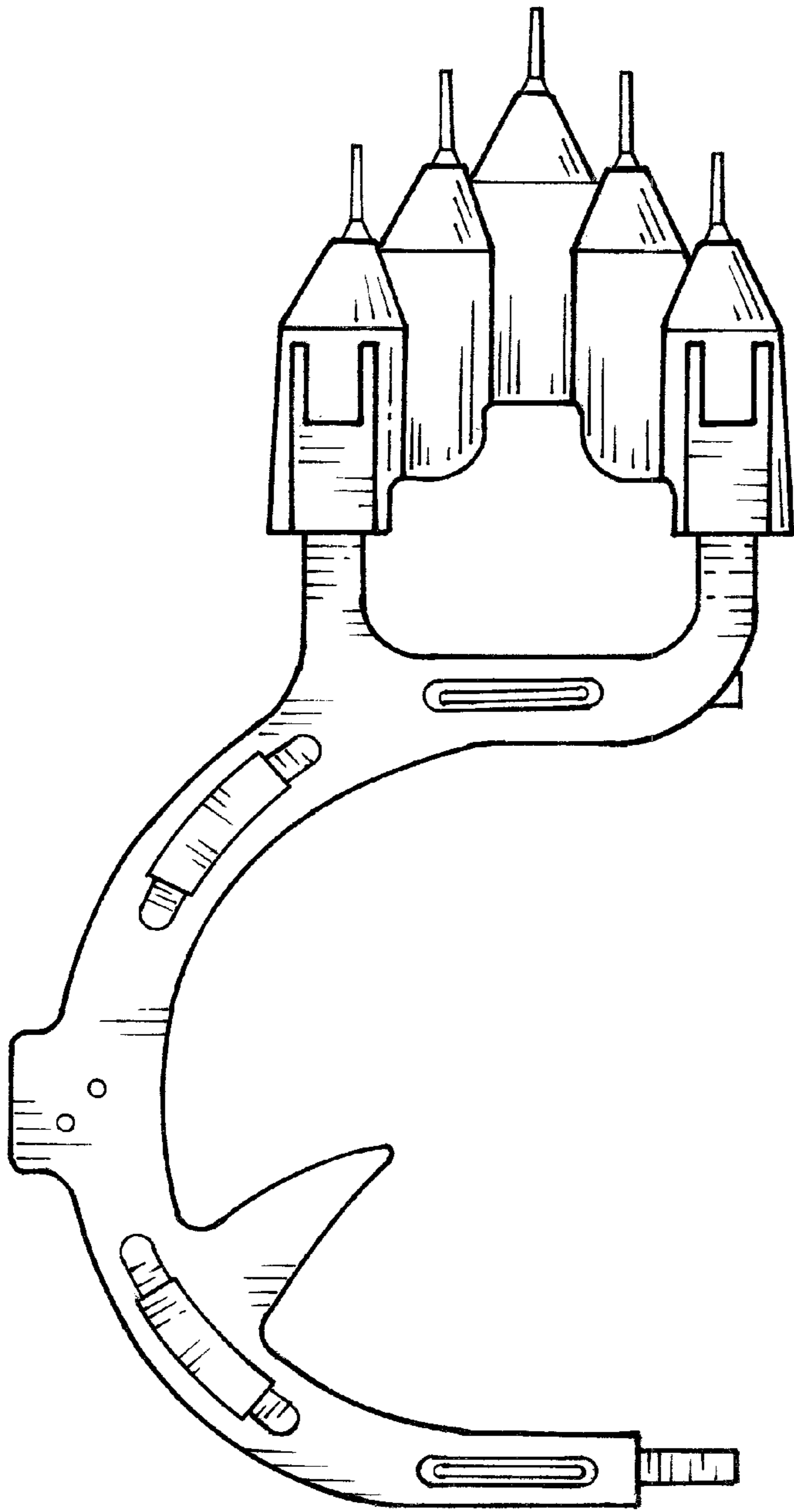


FIG. 6

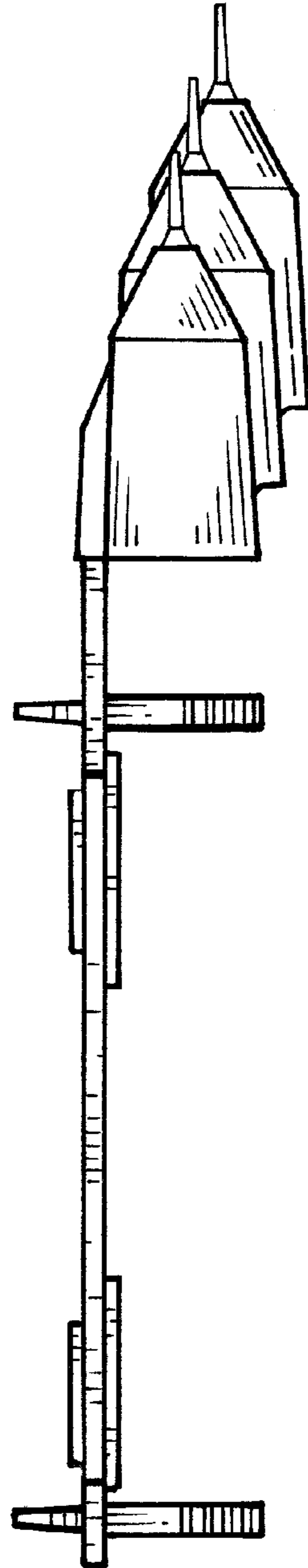
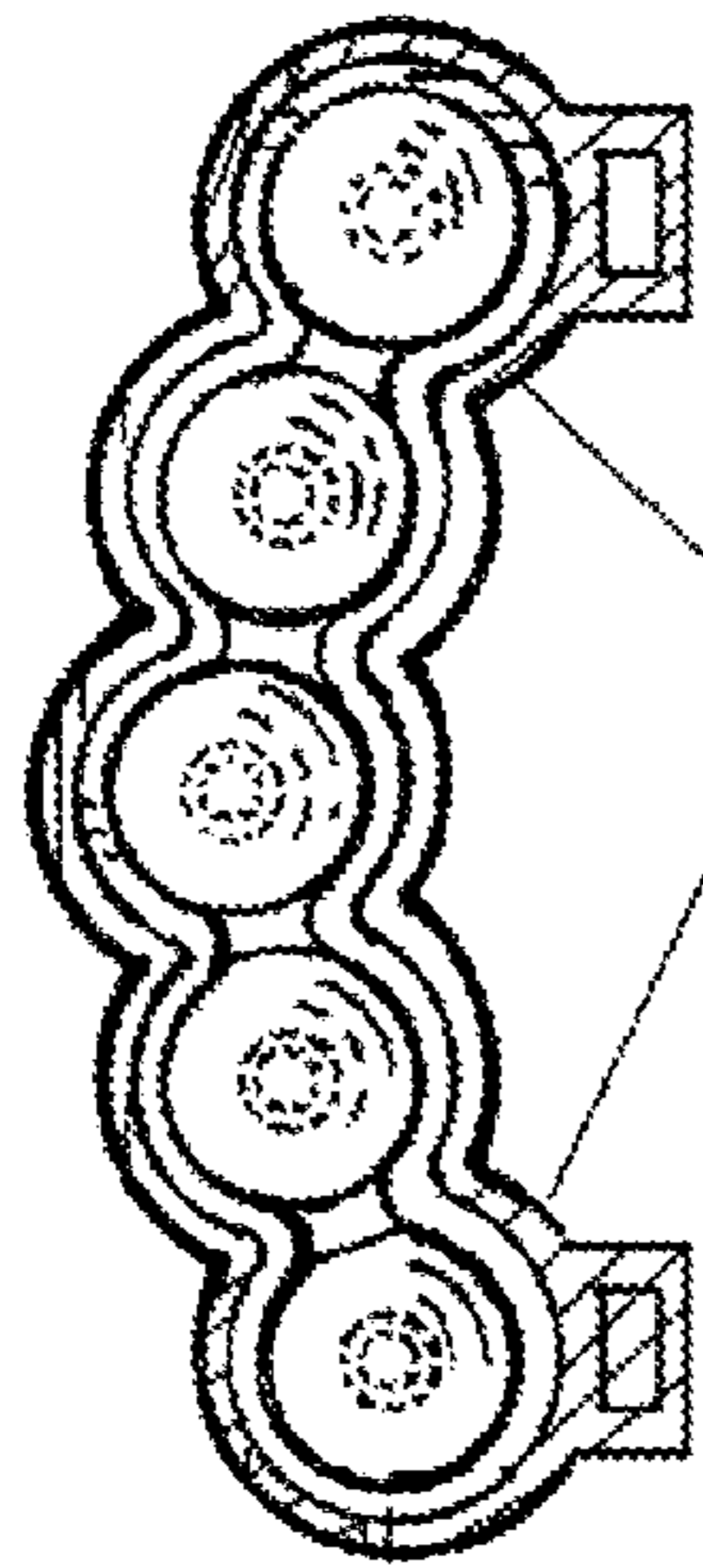


FIG. 7



Portions that are shown
in cross-section in Fig. 4

FIG. 8

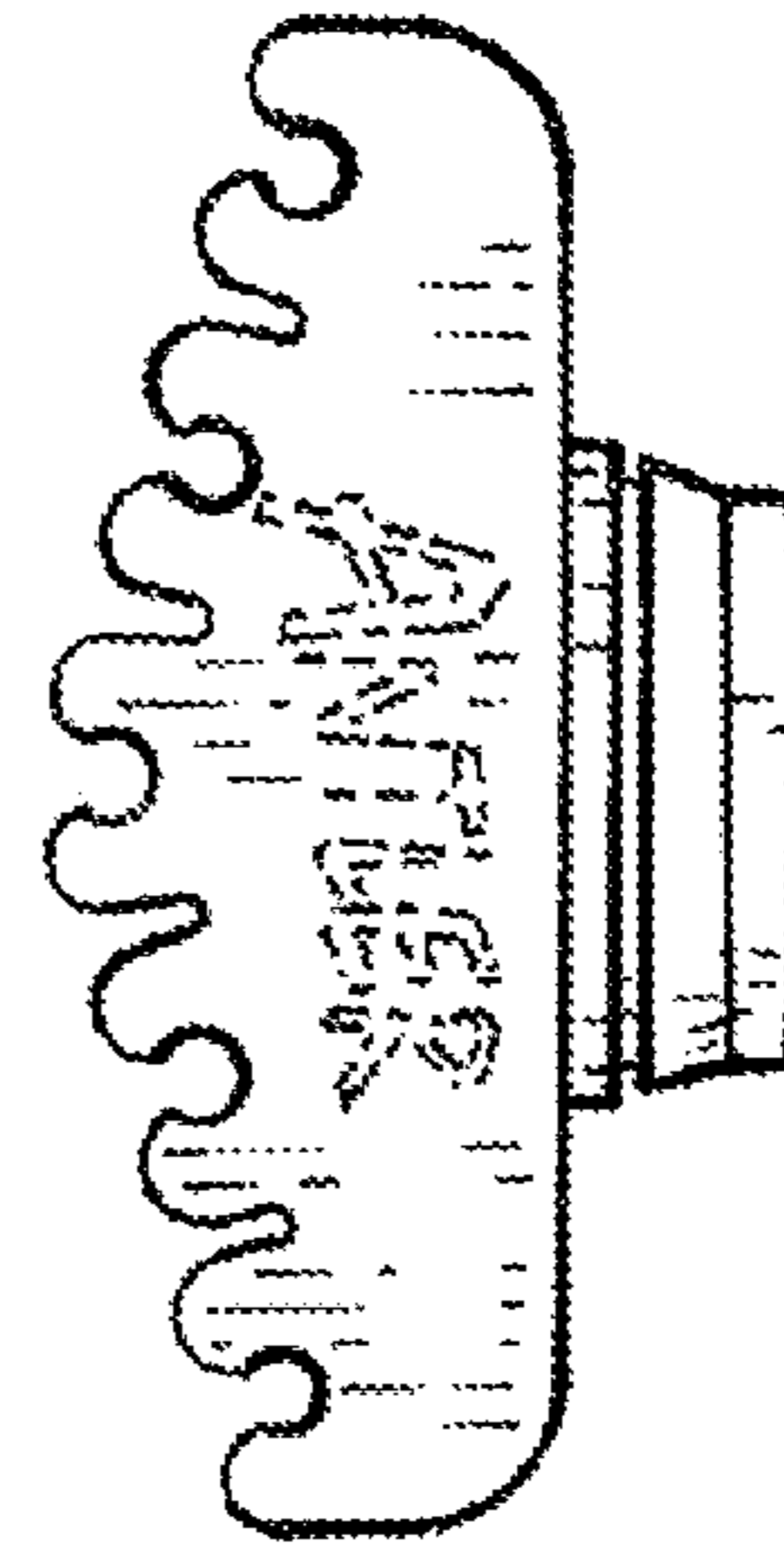


FIG. 9

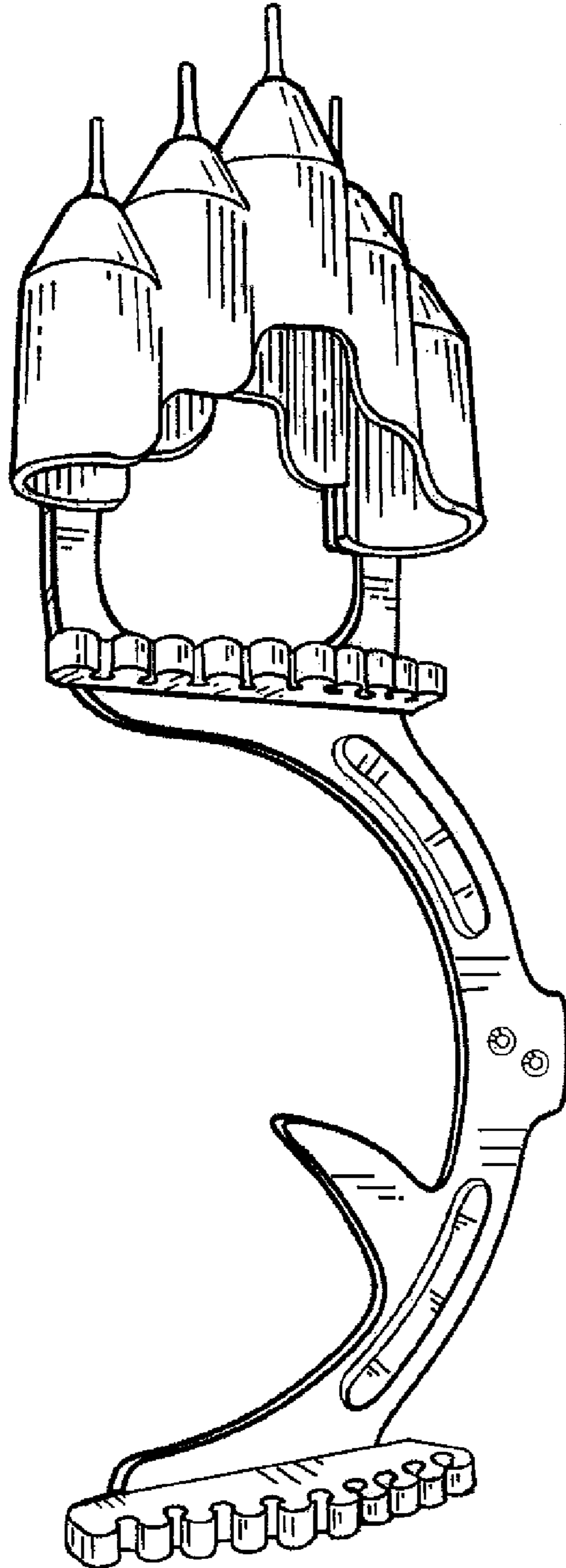


FIG. 10

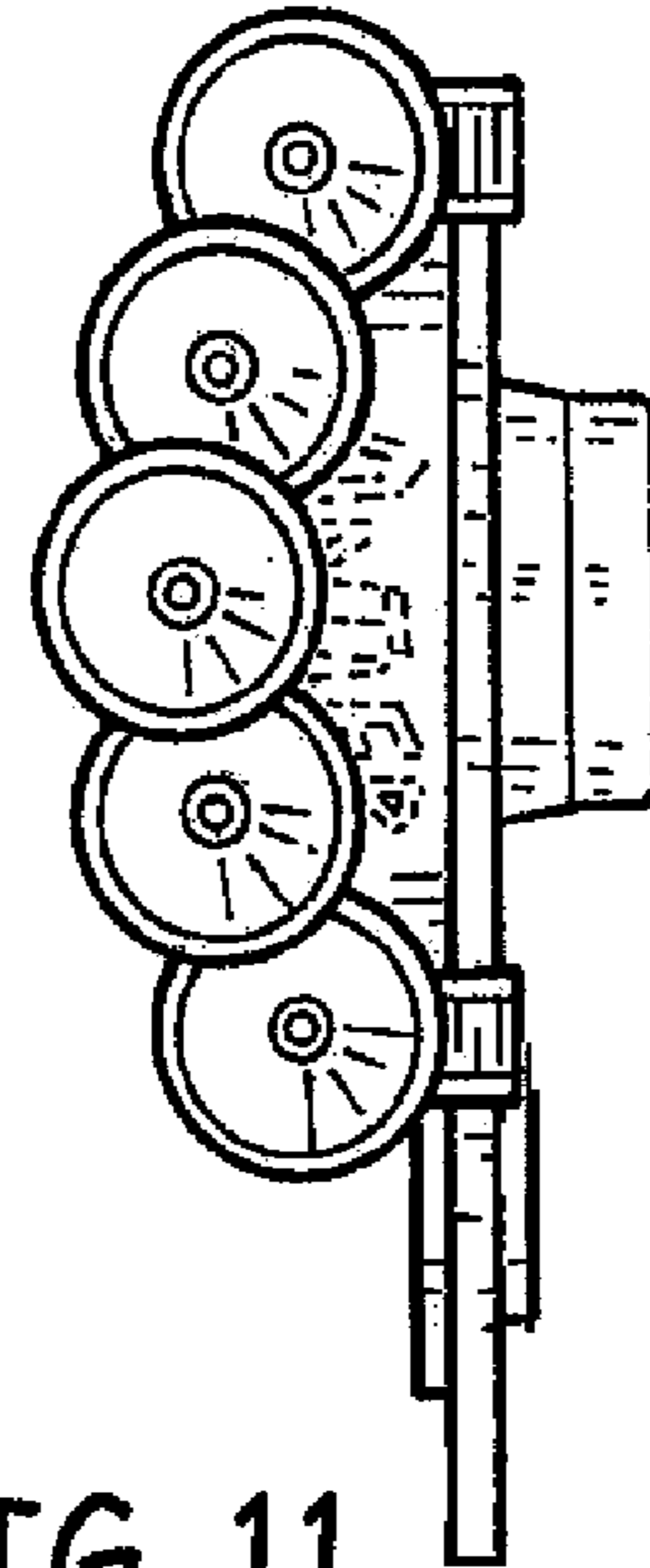


FIG. 11

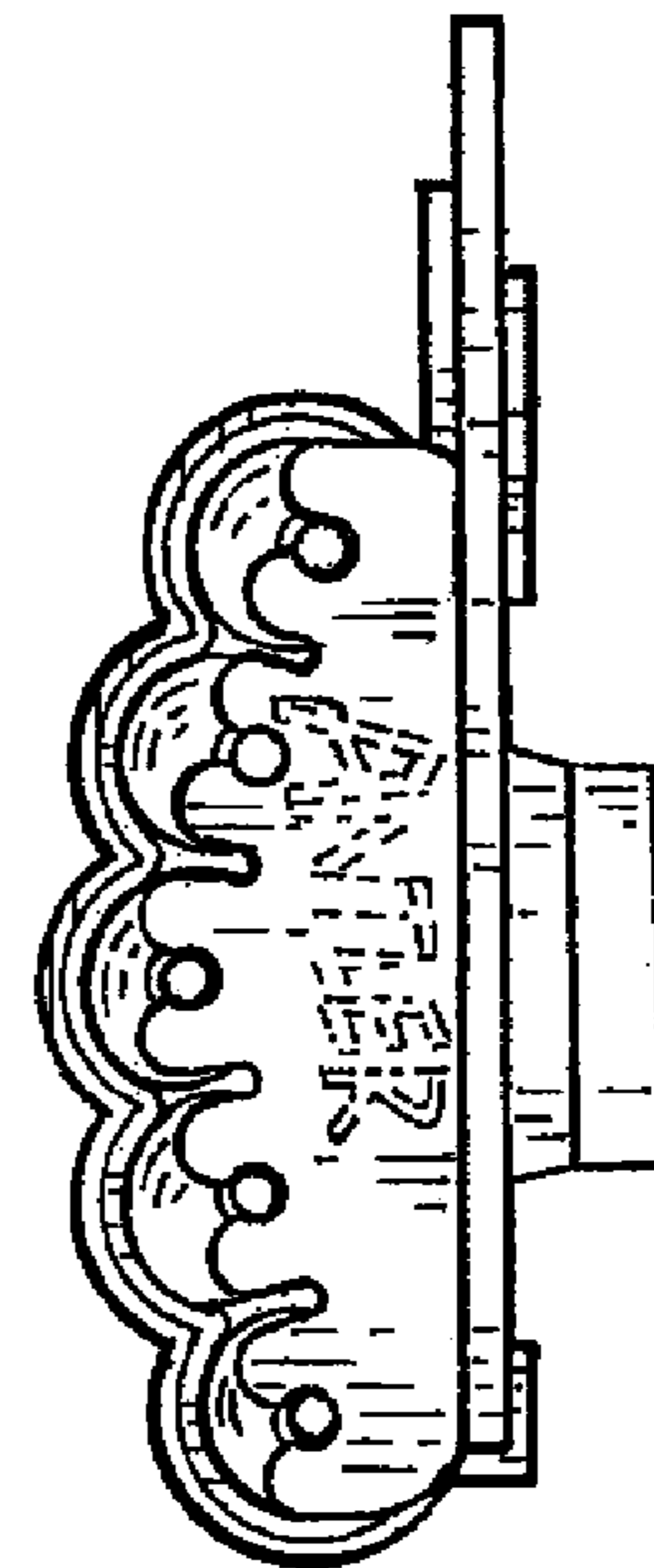
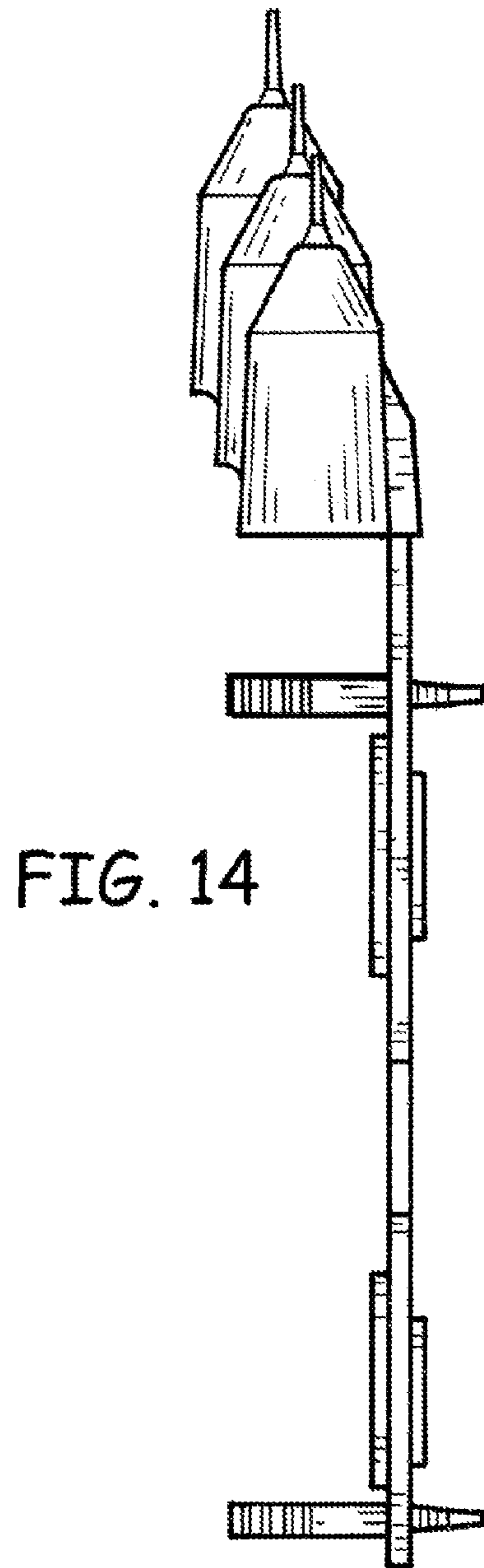
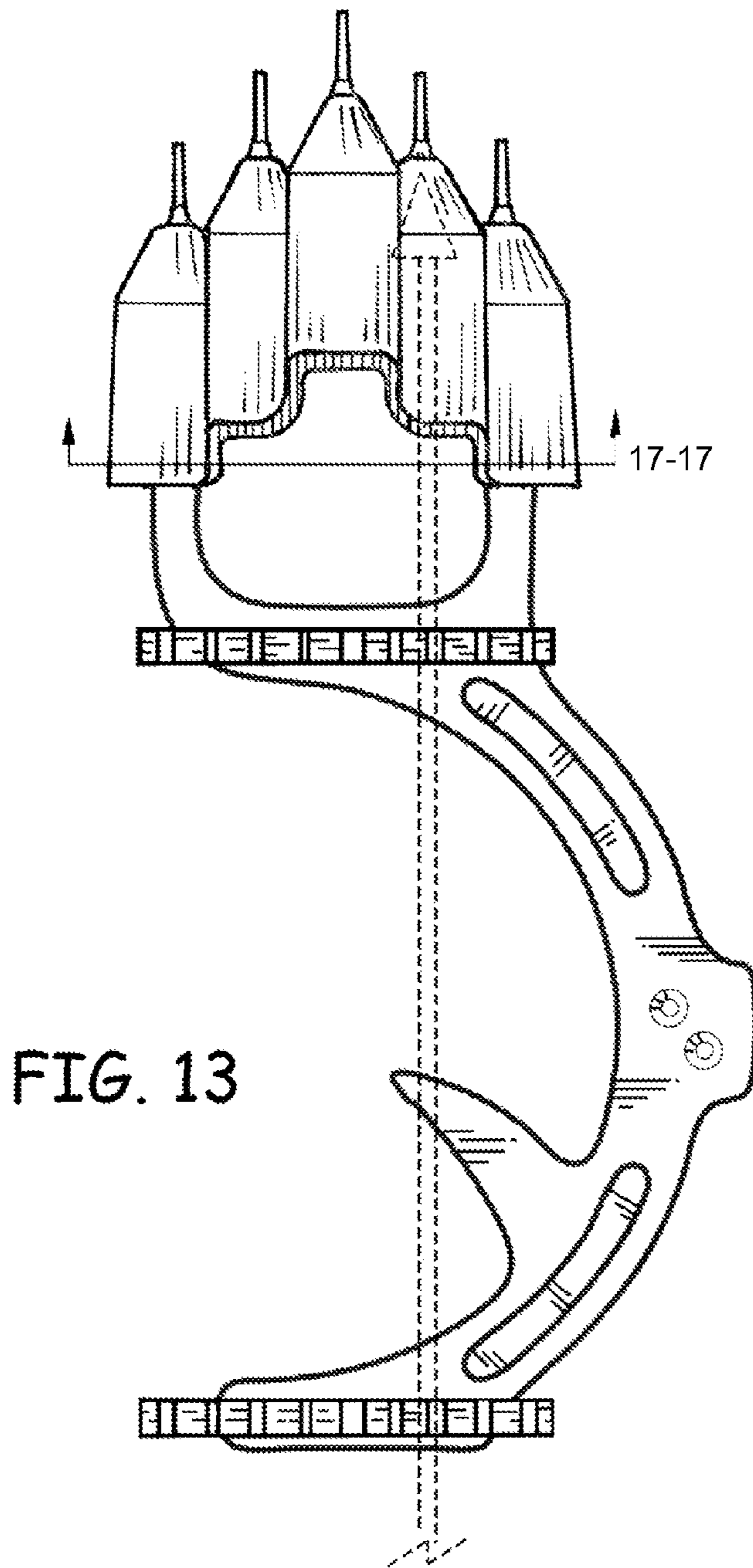


FIG. 12



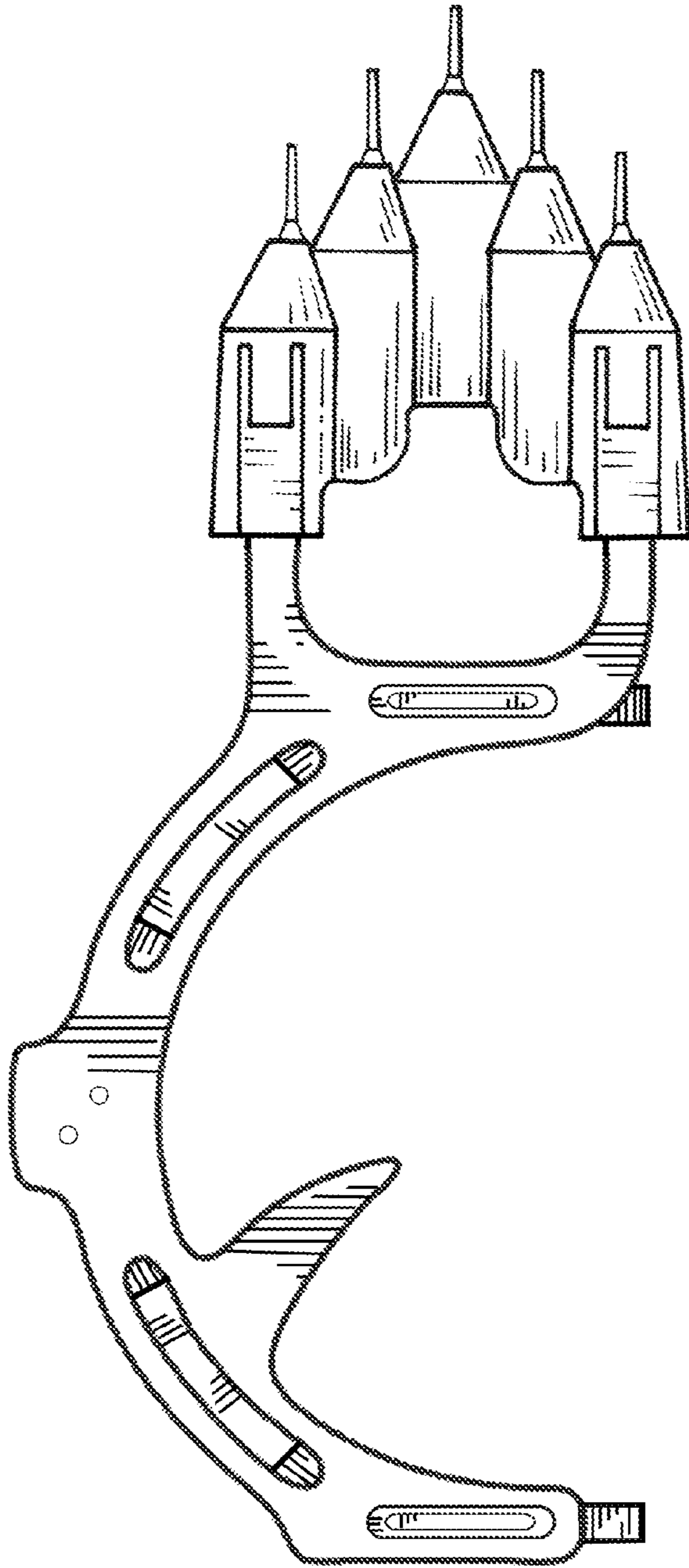


FIG. 15

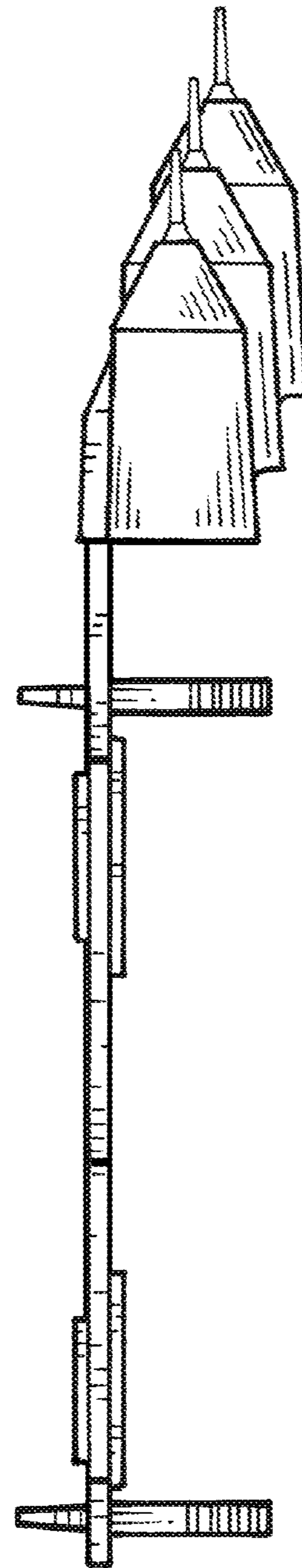
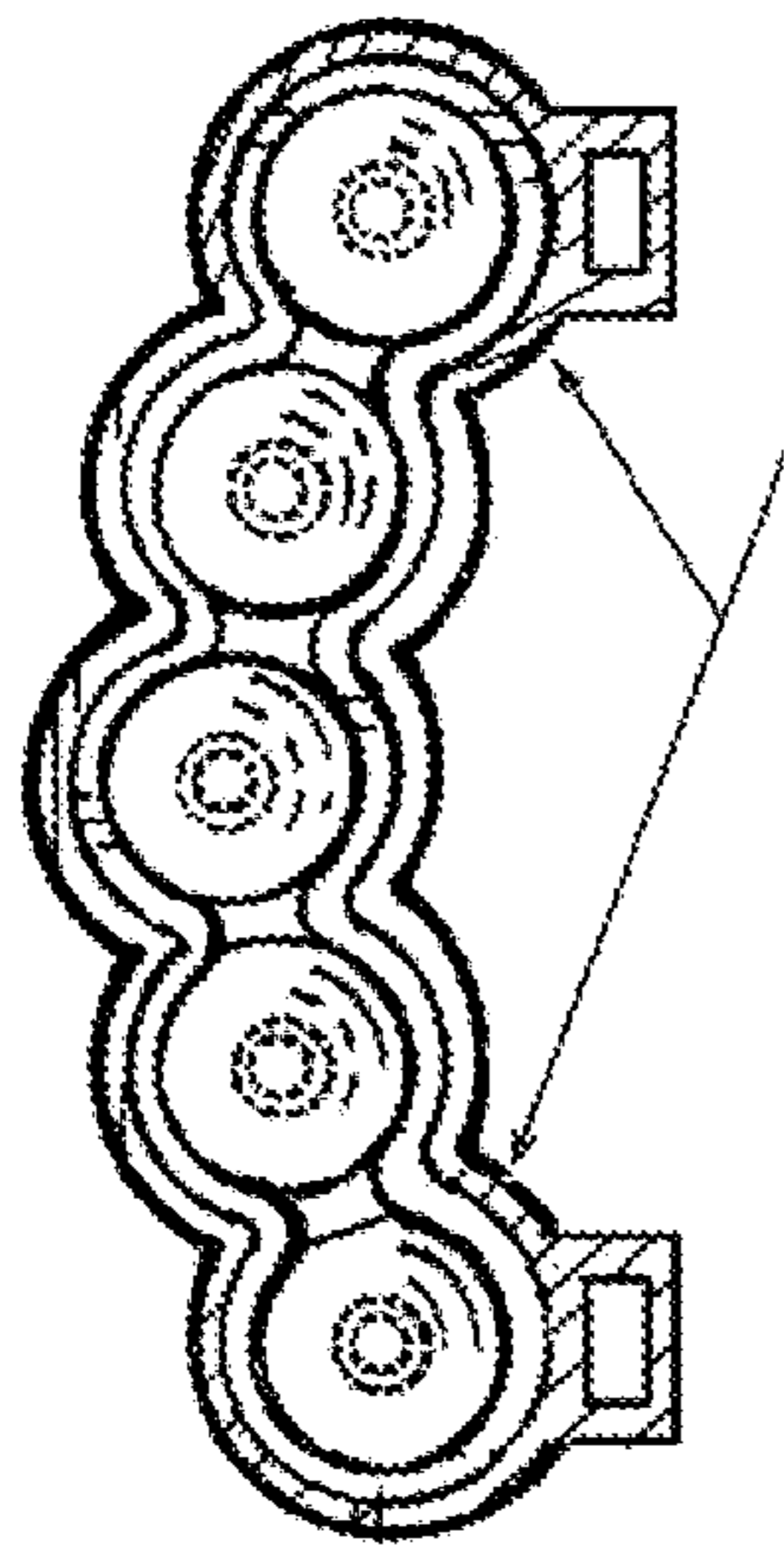


FIG. 16



Portions that are shown
in cross-section in Fig. 13

FIG. 17

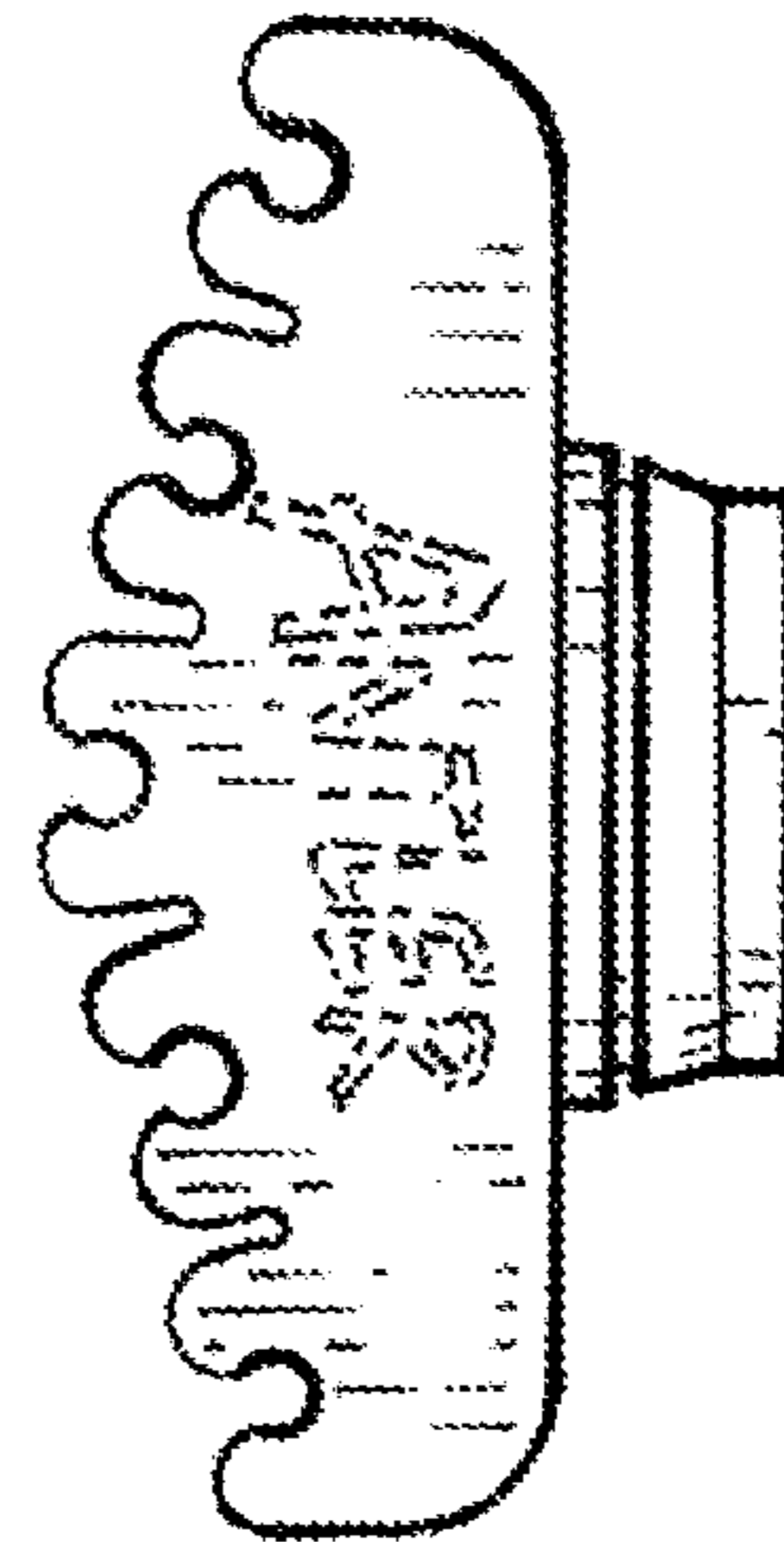


FIG. 18