



US00D613808S

(12) **United States Design Patent**
Vassallo

(10) **Patent No.:** **US D613,808 S**

(45) **Date of Patent:** **** *Apr. 13, 2010**

(54) **SWIM FIN**

(75) Inventor: **Shane Thomas Anthony Vassallo**,
Maroubra (AU)

(73) Assignee: **POD Ware Pty Ltd.**, Maroubra, New
South Wales (AU)

(*) Notice: This patent is subject to a terminal dis-
claimer.

(**) Term: **14 Years**

(21) Appl. No.: **29/338,261**

(22) Filed: **Jun. 8, 2009**

Related U.S. Application Data

(63) Continuation of application No. 29/328,345, filed on
Nov. 21, 2008, now Pat. No. Des. 594,077.

(30) **Foreign Application Priority Data**

May 29, 2008 (AU) 321272

(51) **LOC (9) Cl.** **21-01**

(52) **U.S. Cl.** **D21/806**

(58) **Field of Classification Search** D21/769,
D21/770, 801, 803, 804, 806, 807, 810; D2/731,
D2/732; 441/55, 56, 58, 60-66, 68, 69, 72-75,
441/79

See application file for complete search history.

(56) **References Cited**

U.S. PATENT DOCUMENTS

D263,615 S * 3/1982 Beuchat D21/806
D270,926 S * 10/1983 Simpson D21/806

D277,595 S * 2/1985 Simpson D21/806
D286,668 S * 11/1986 Berenson D21/806
D328,325 S * 7/1992 Mitchell D21/806
D329,269 S * 9/1992 Szabad et al. D21/806
D349,552 S * 8/1994 Fleming D21/806
5,387,145 A * 2/1995 Wagner 441/64
D363,105 S * 10/1995 Parr D21/806
D377,073 S * 12/1996 Chang D21/806
D594,077 S * 6/2009 Vassallo D21/806

* cited by examiner

Primary Examiner—Janice E Seeger

Assistant Examiner—Zenia I Bennett

(74) *Attorney, Agent, or Firm*—Knobbe Martens Olson &
Bear LLP

(57) **CLAIM**

The ornamental design for a swim fin, as shown and described
herein.

DESCRIPTION

FIG. 1 is a top perspective view of a swim fin showing my new
design.

FIG. 2 is a top plan view thereof.

FIG. 3 is a bottom perspective view thereof.

FIG. 4 is a bottom plan view thereof.

FIG. 5 is a right side elevational view thereof.

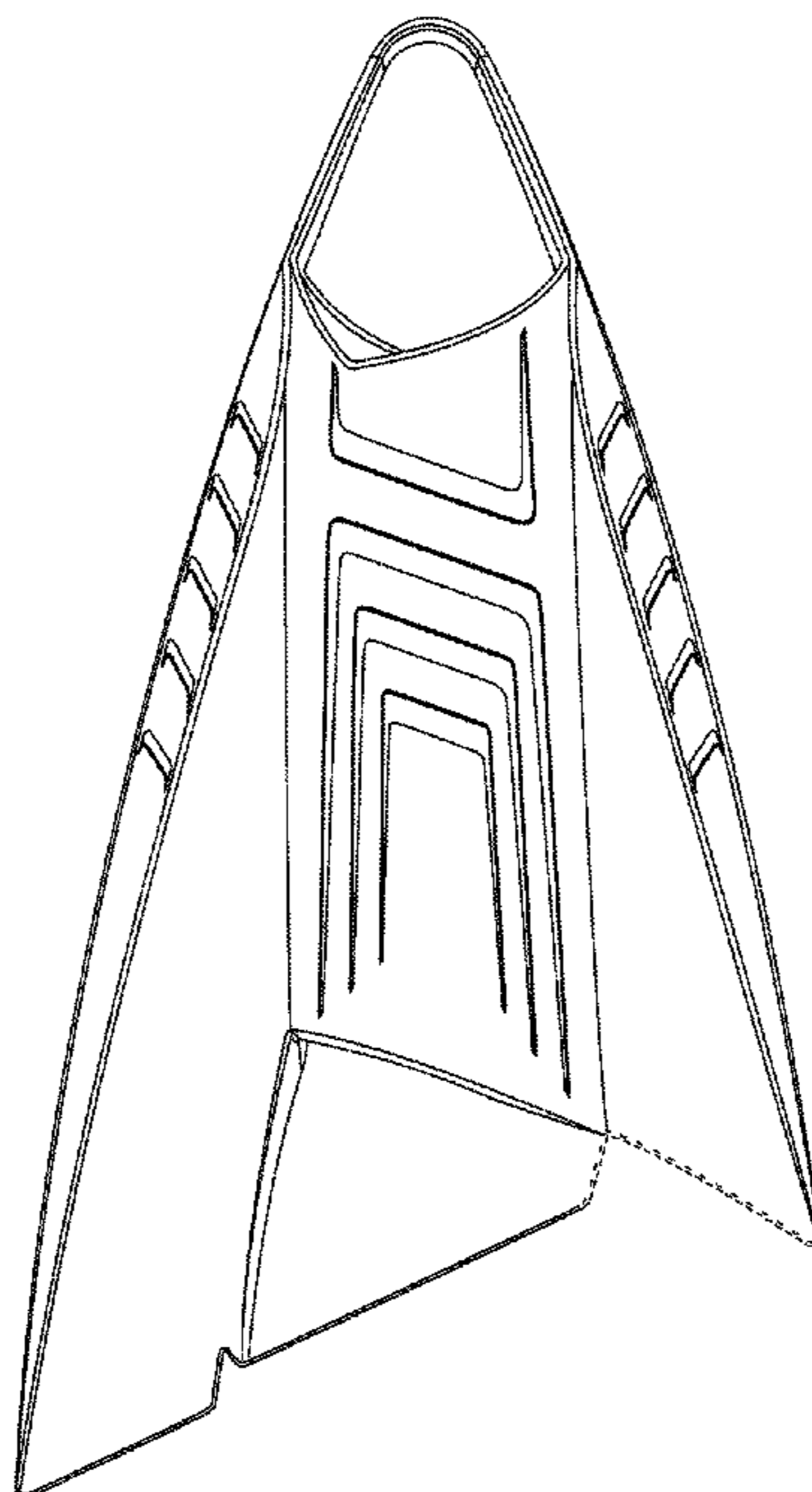
FIG. 6 is a left side elevational view thereof.

FIG. 7 is a front elevational view thereof; and,

FIG. 8 is a rear elevational view thereof.

The broken lines shown in the drawings are for illustrative
purposes only and form no part of the claimed design.

1 Claim, 6 Drawing Sheets



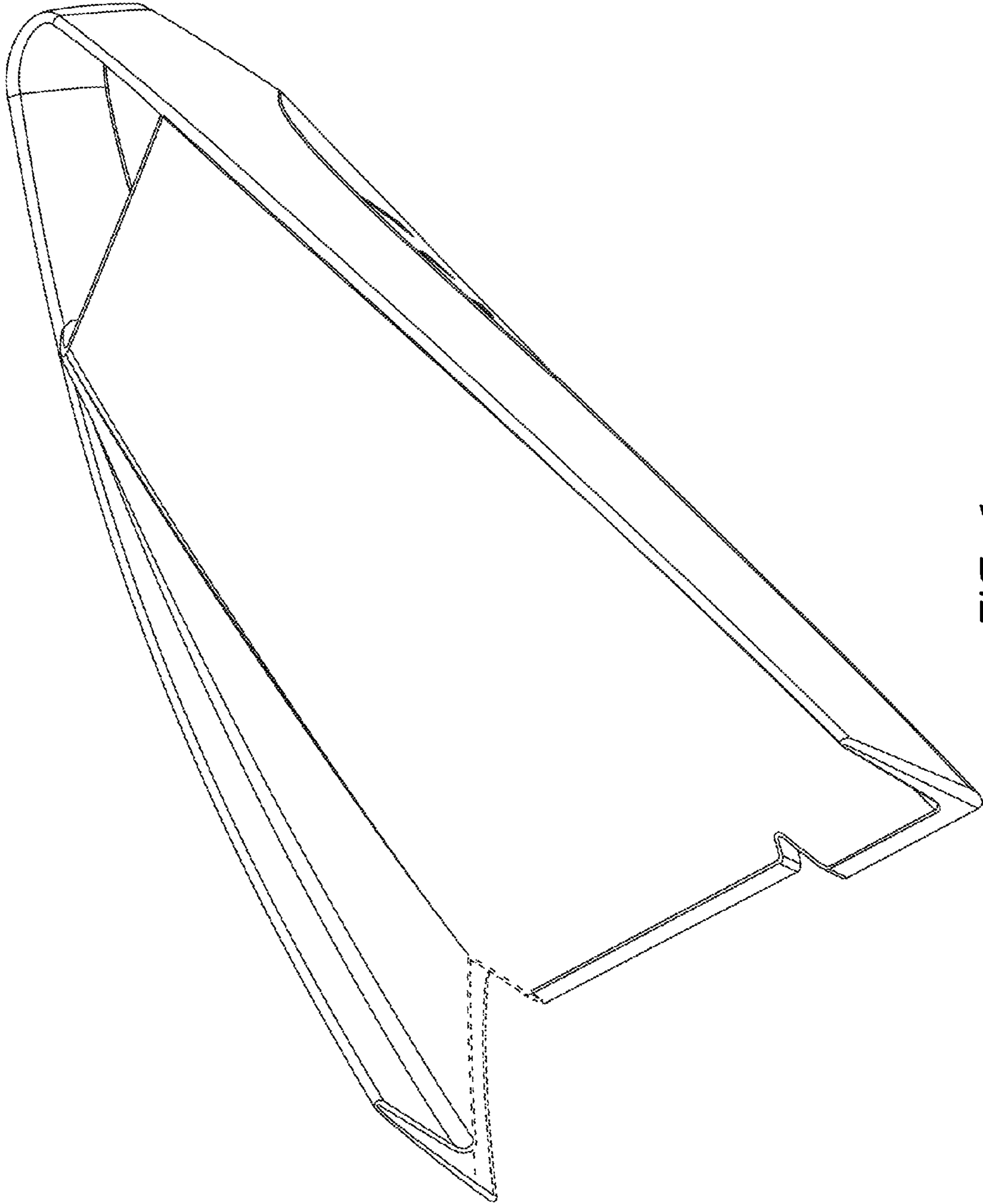


FIG. 1

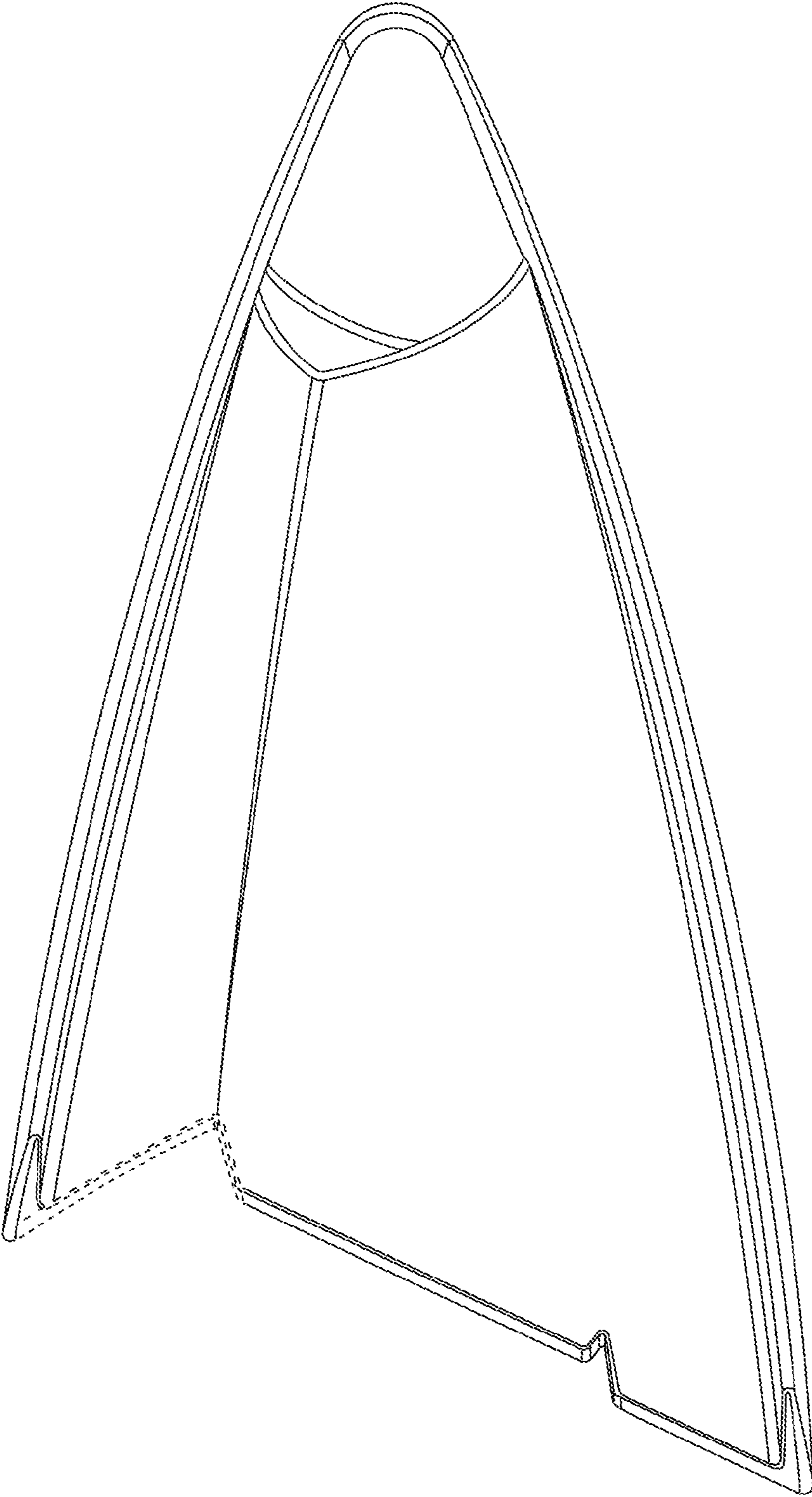


FIG. 2

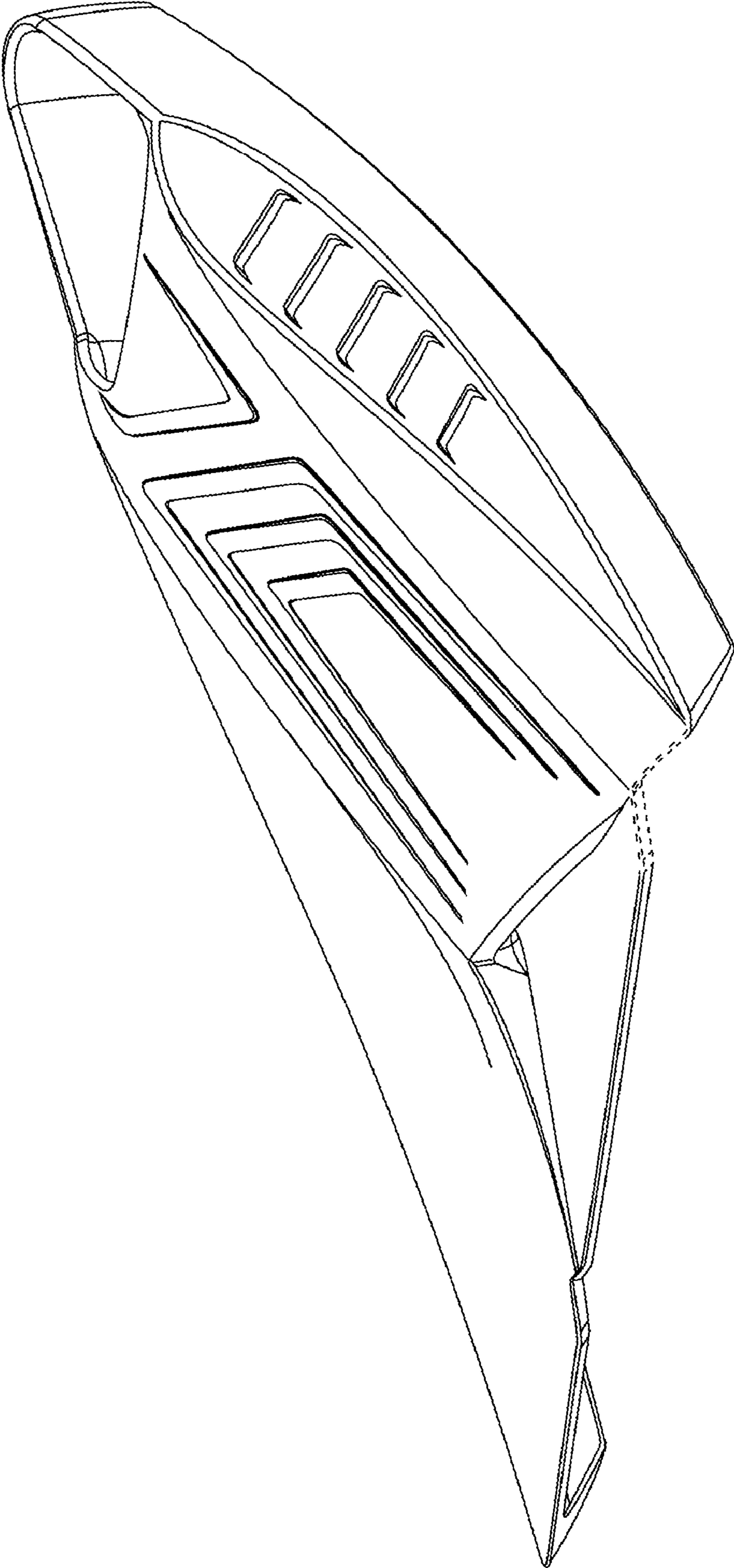


FIG. 3

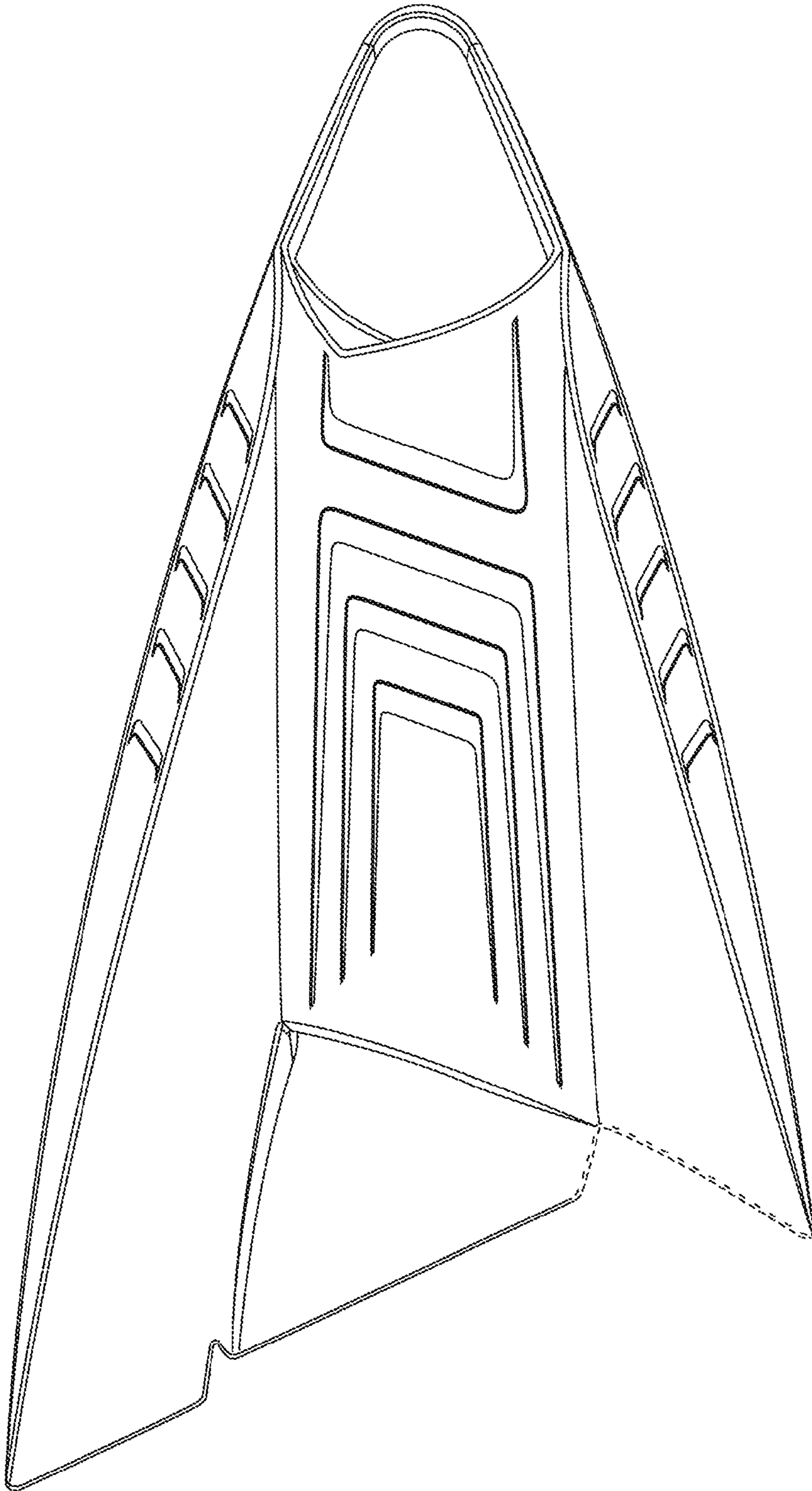


FIG. 4

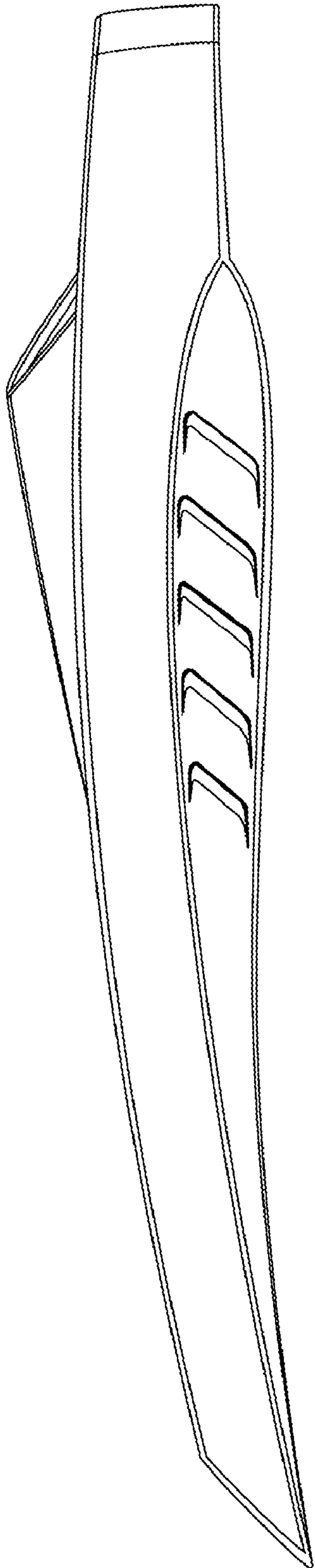


FIG. 5

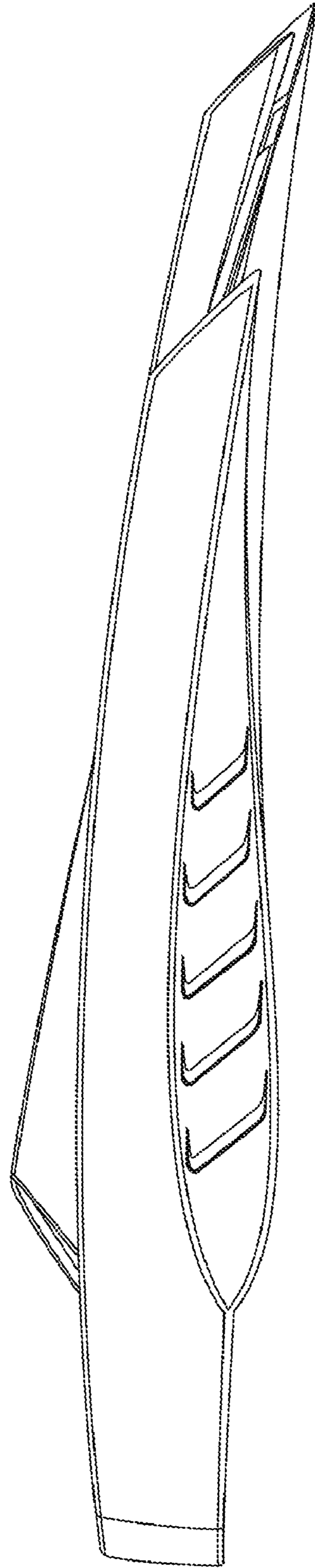


FIG. 6

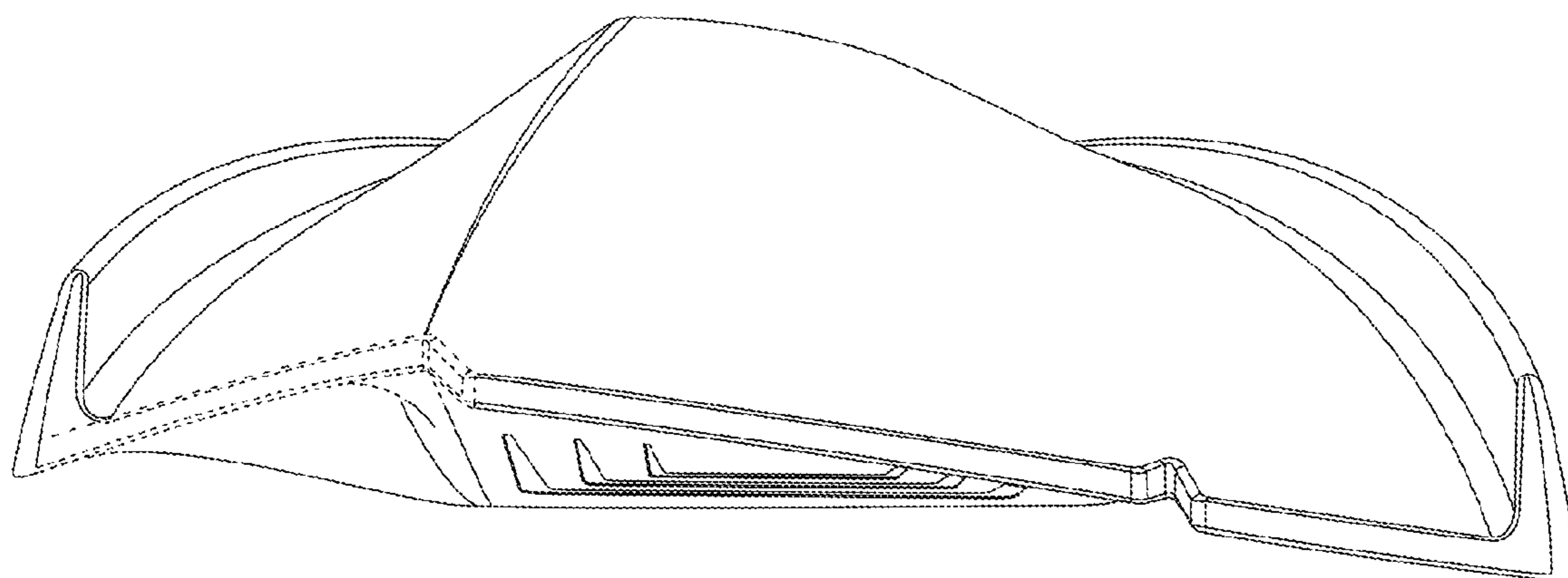


FIG. 7

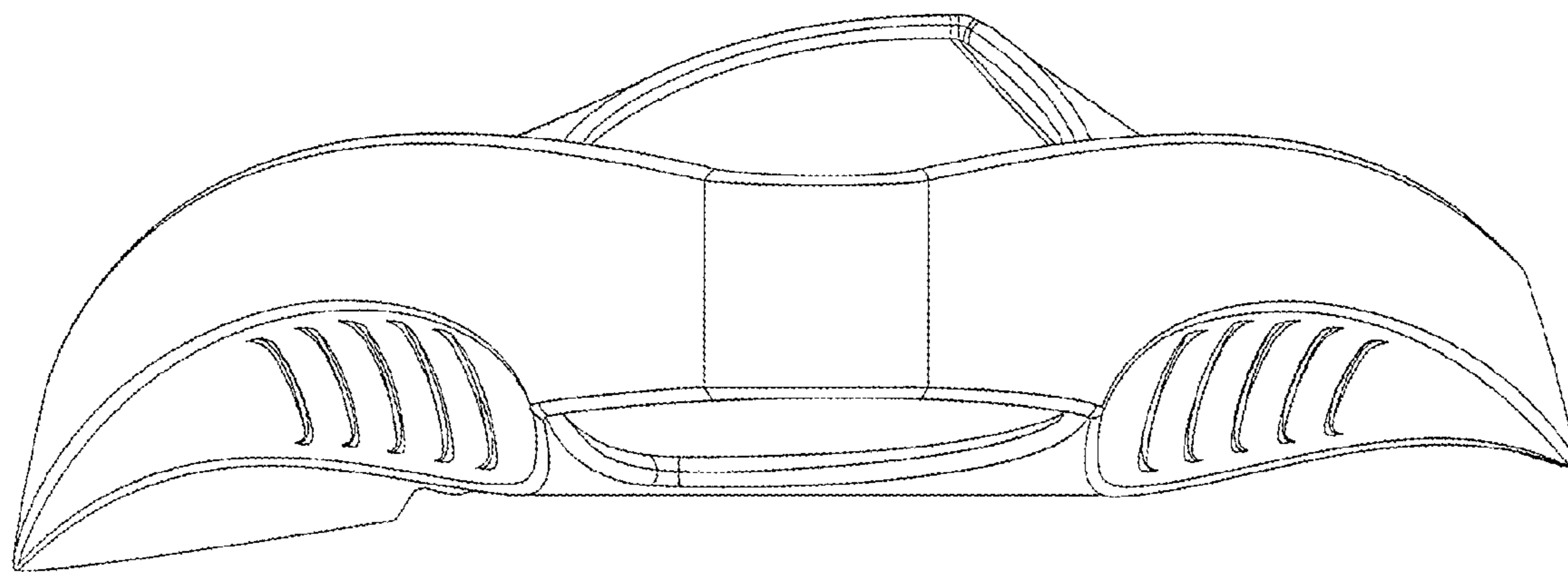


FIG. 8