



US00D613806S

(12) **United States Design Patent**
Donaldson

(10) **Patent No.:** **US D613,806 S**

(45) **Date of Patent:** **** *Apr. 13, 2010**

(54) **FOUR-SIDED GOLF CLUB GROOVE SHARPENING TOOL**

(76) **Inventor:** **Kurt Donaldson**, 9252 Grand Ave.,
Bloomington, MN (US) 55420

(*) **Notice:** This patent is subject to a terminal disclaimer.

(**) **Term:** **14 Years**

(21) **Appl. No.:** **29/333,587**

(22) **Filed:** **Mar. 12, 2009**

(51) **LOC (9) Cl.** **21-02**

(52) **U.S. Cl.** **D21/793**

(58) **Field of Classification Search** D21/789,
D21/793; 15/105, 236.01, 236.05, 236.08;
473/408; D8/91-93, 35

See application file for complete search history.

(56) **References Cited**

U.S. PATENT DOCUMENTS

D193,679 S *	9/1962	Baldwin et al.	D21/793
D212,712 S *	11/1968	Godfrey	D21/793
D225,655 S *	12/1972	Johnson	D21/793
D234,150 S *	1/1975	Yaudes	D21/793
D253,779 S *	12/1979	Krlevich	D21/793
D253,788 S *	12/1979	Krlevich	D21/793
D254,211 S *	2/1980	Gutknecht	D21/793

D306,060 S *	2/1990	Washburn	D21/793
5,121,519 A *	6/1992	Haugom	473/408
D328,117 S *	7/1992	Haugom	D21/793
6,182,324 B1 *	2/2001	Pagliuzza et al.	15/236.09
D595,799 S *	7/2009	Yang	D21/789

* cited by examiner

Primary Examiner—Mitchell I Siegel

(74) *Attorney, Agent, or Firm*—Michael A. Essien;
Fondungallah Kigham & Essien LLC

(57) **CLAIM**

The ornamental design for a four-sided golf club groove sharpening tool, as shown and described.

DESCRIPTION

FIG. 1 is a rear view of a four-sided golf club groove sharpening tool;

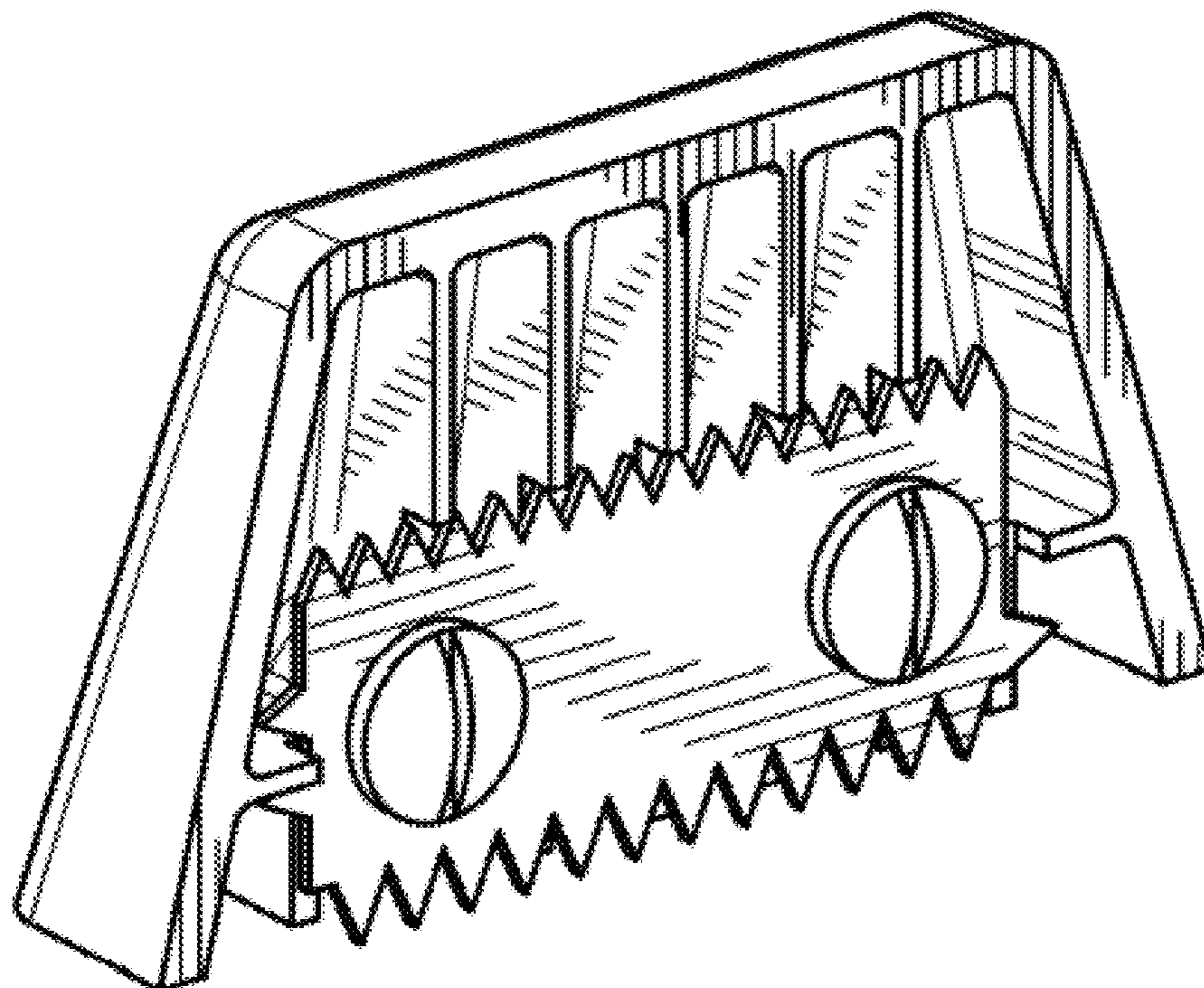
FIG. 2 is a side view of a four-sided golf club groove sharpening tool;

FIG. 3 is a front view of a four-sided golf club groove sharpening tool;

FIG. 4 is a side perspective view of a four-sided golf club groove sharpening tool; and,

FIG. 5 is another side perspective view of a four-sided golf club groove sharpening tool.

1 Claim, 1 Drawing Sheet



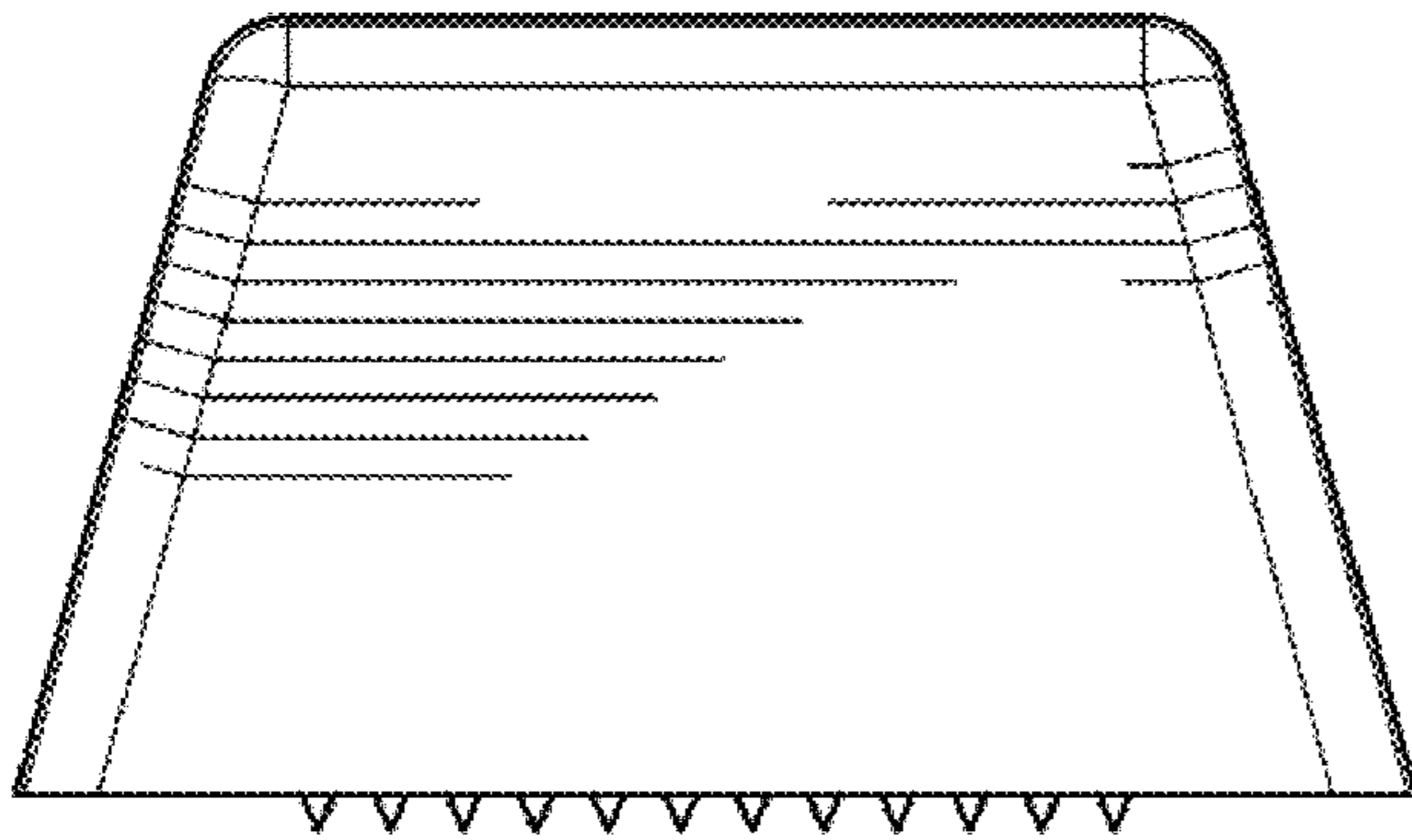


FIG. 1

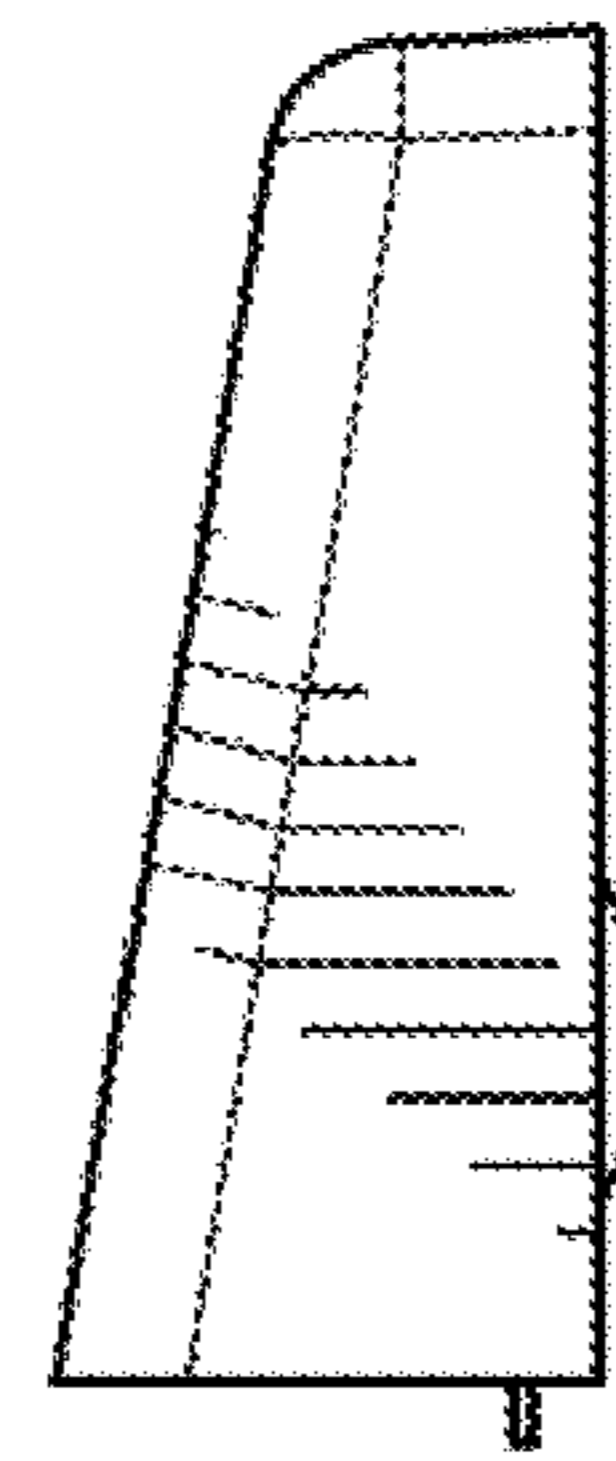


FIG. 2

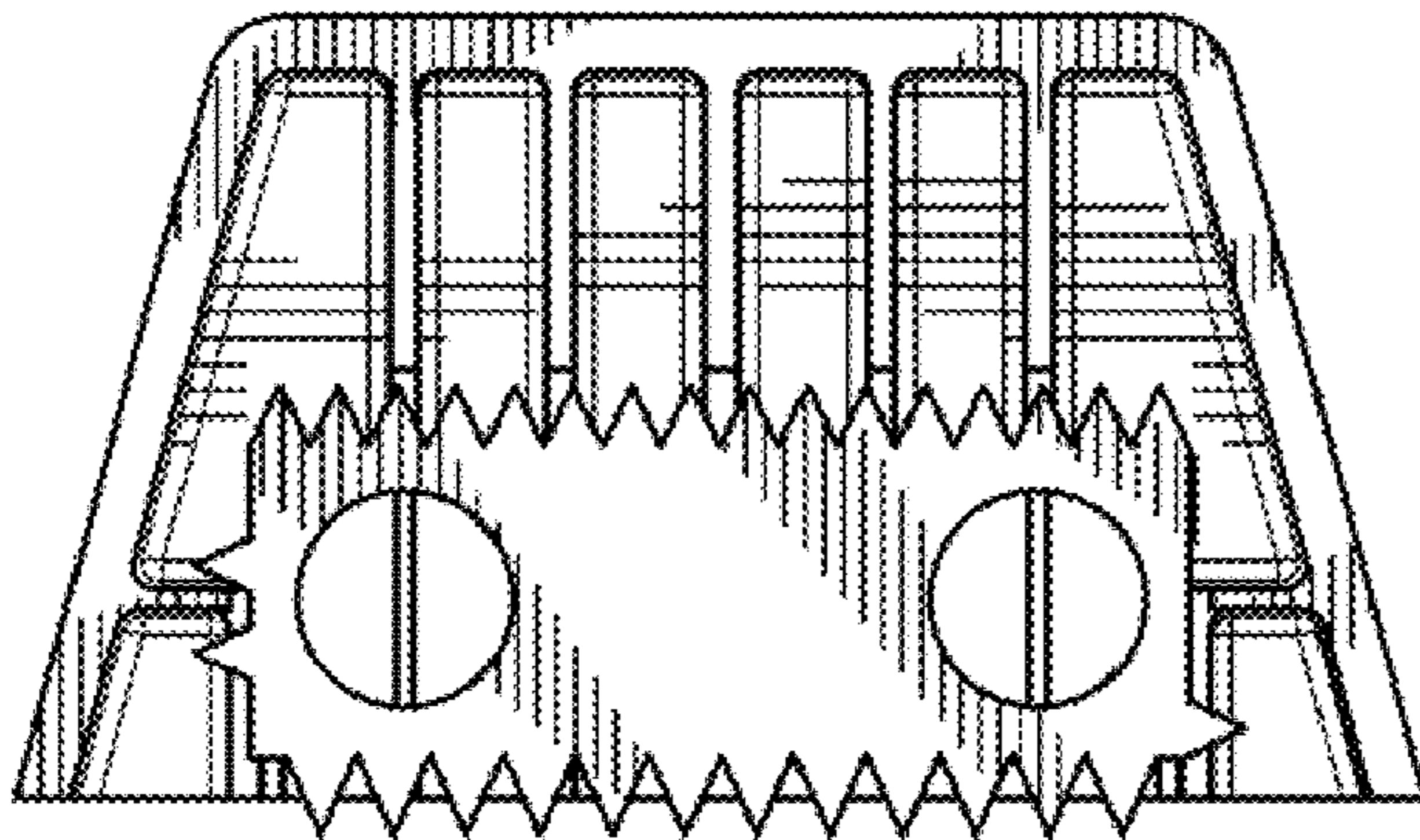


FIG. 3

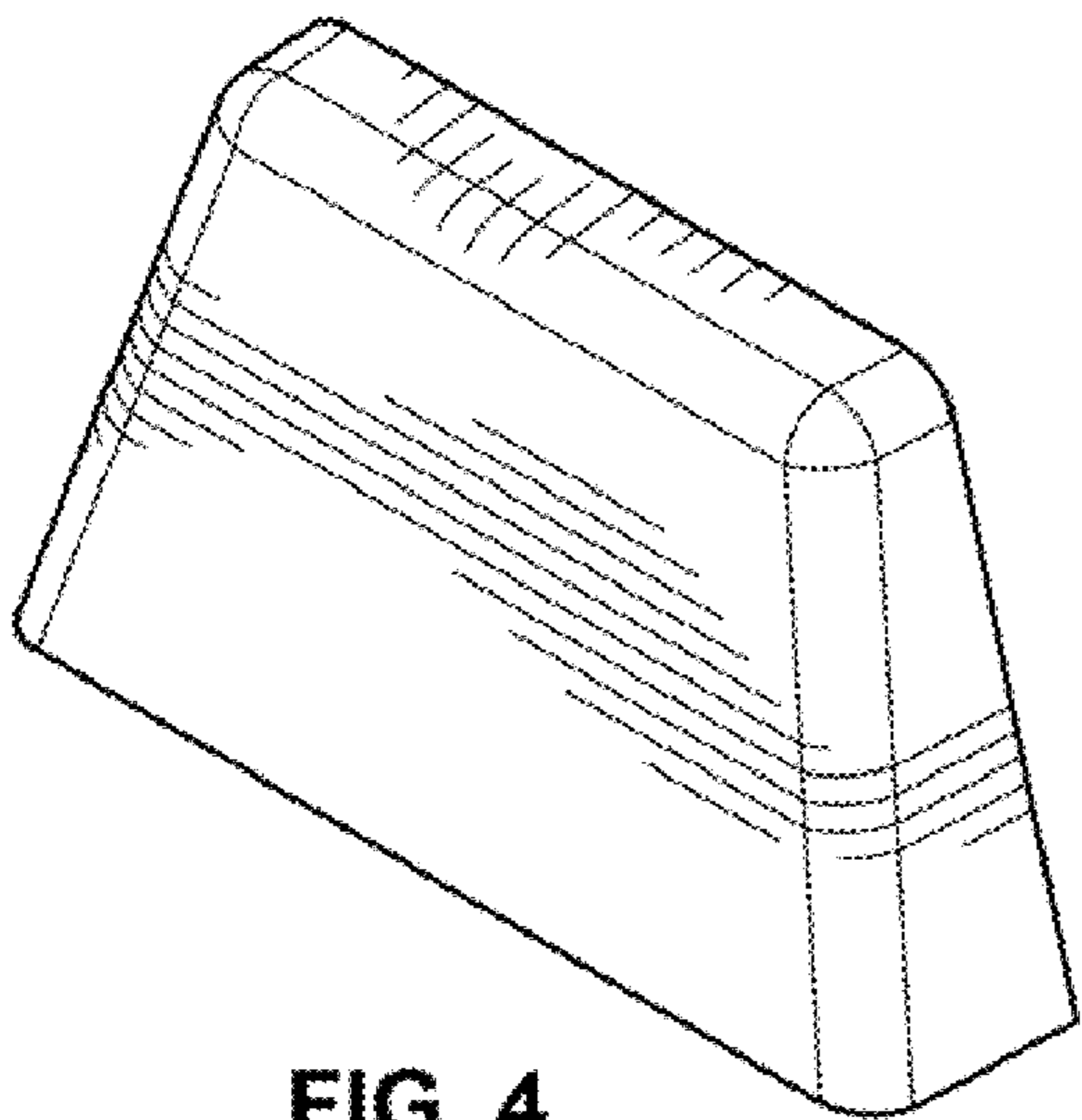


FIG. 4

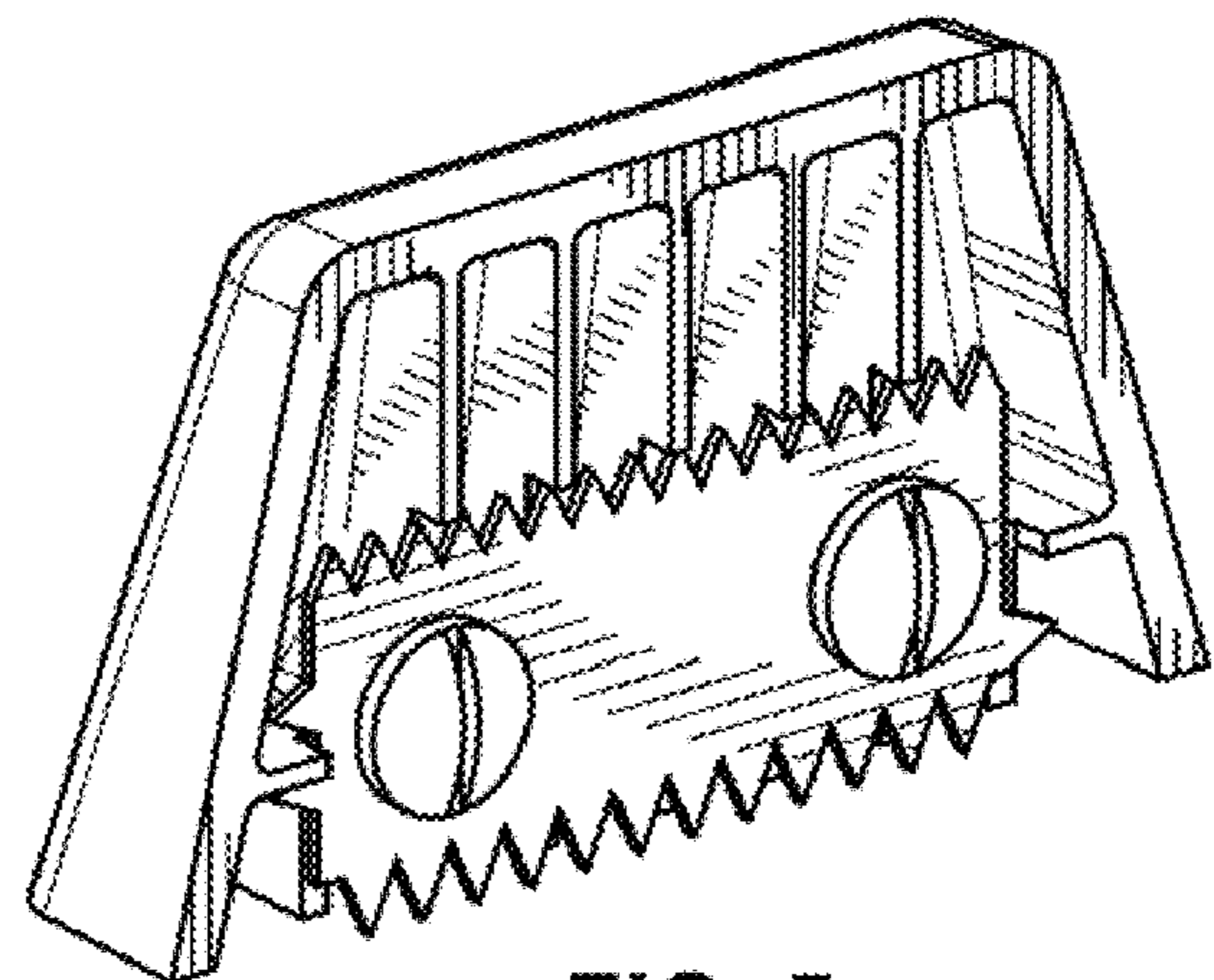


FIG. 5