



US00D613803S

(12) **United States Design Patent**  
**Weinman et al.**

(10) **Patent No.:** **US D613,803 S**  
(45) **Date of Patent:** **\*\* Apr. 13, 2010**

(54) **EXERCISE APPARATUS**

(75) Inventors: **Andrew Weinman**, Mont-Tremblant (CA); **Sylvain Morisette**, Waterville (CA); **Patrick Vincent**, Waterville (CA)

(73) Assignee: **Equator Fitness IP Holdings Inc.**, Quebec (CA)

(\*\*) Term: **14 Years**

(21) Appl. No.: **29/326,225**

(22) Filed: **Oct. 14, 2008**

(30) **Foreign Application Priority Data**

Apr. 14, 2008 (CA) ..... 125466

(51) **LOC (9) Cl.** ..... **21-02**

(52) **U.S. Cl.** ..... **D21/676**

(58) **Field of Classification Search** ..... D21/662, D21/673, 674, 676, 668, 670; 482/51, 52, 482/133, 134, 135, 137

See application file for complete search history.

(56) **References Cited**

**U.S. PATENT DOCUMENTS**

5,254,067 A \* 10/1993 Habing et al. .... 482/137  
5,354,248 A \* 10/1994 Rawls et al. .... 482/6  
D355,684 S \* 2/1995 Rawls et al. .... D21/676

D358,624 S \* 5/1995 Wang et al. .... D21/673  
D392,702 S \* 3/1998 Sands et al. .... D21/676  
D404,444 S \* 1/1999 Sands et al. .... D21/676  
D413,947 S \* 9/1999 Gvoich ..... D21/676  
6,077,197 A \* 6/2000 Stearns et al. .... 482/52  
D452,719 S \* 1/2002 Lin et al. .... D21/673

\* cited by examiner

*Primary Examiner*—Philip S Hyder

*Assistant Examiner*—Susan E Krakower

(74) *Attorney, Agent, or Firm*—Knobbe, Martens, Olson & Bear LLP

(57) **CLAIM**

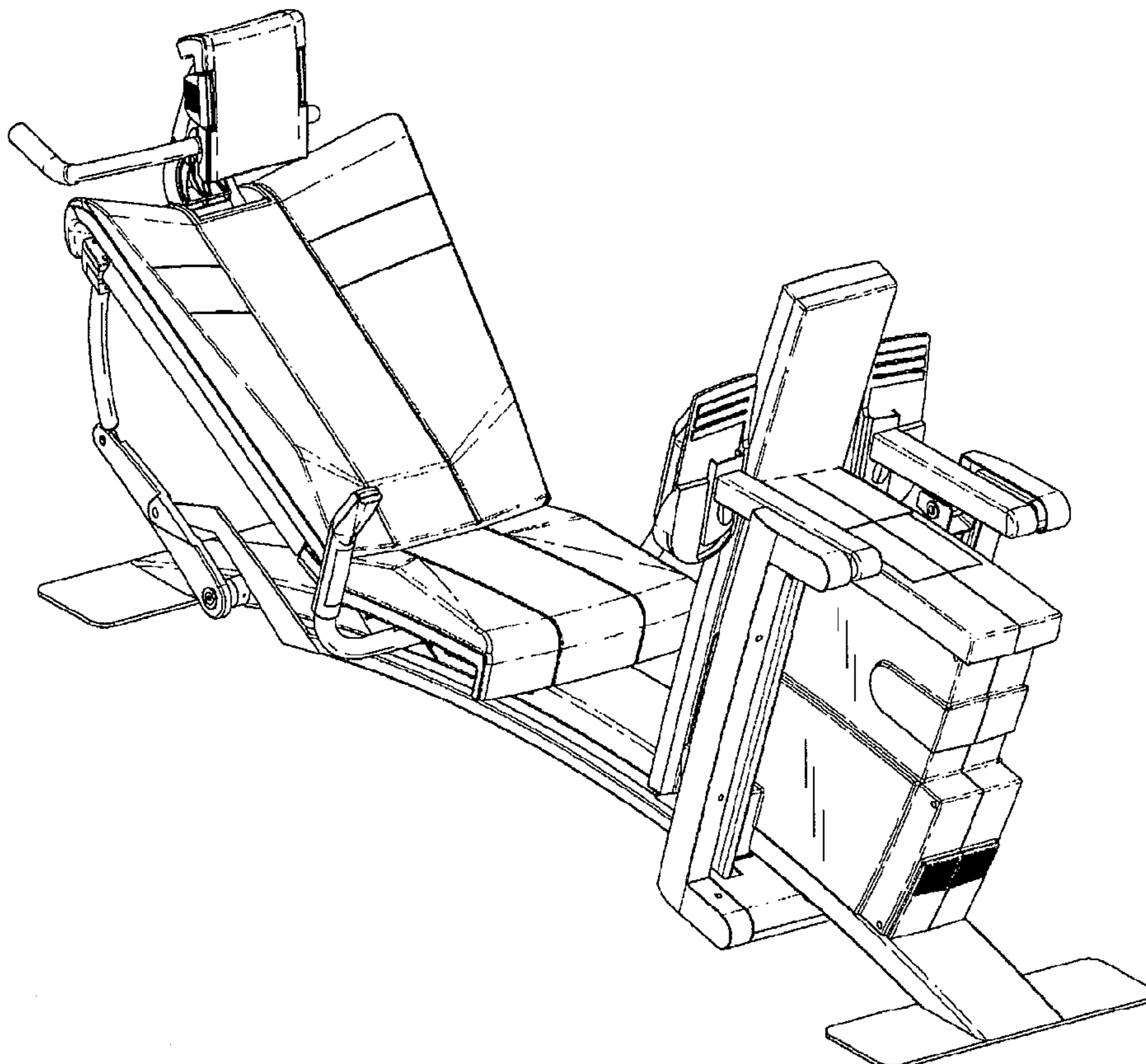
The ornamental design for an exercise apparatus, as shown and described.

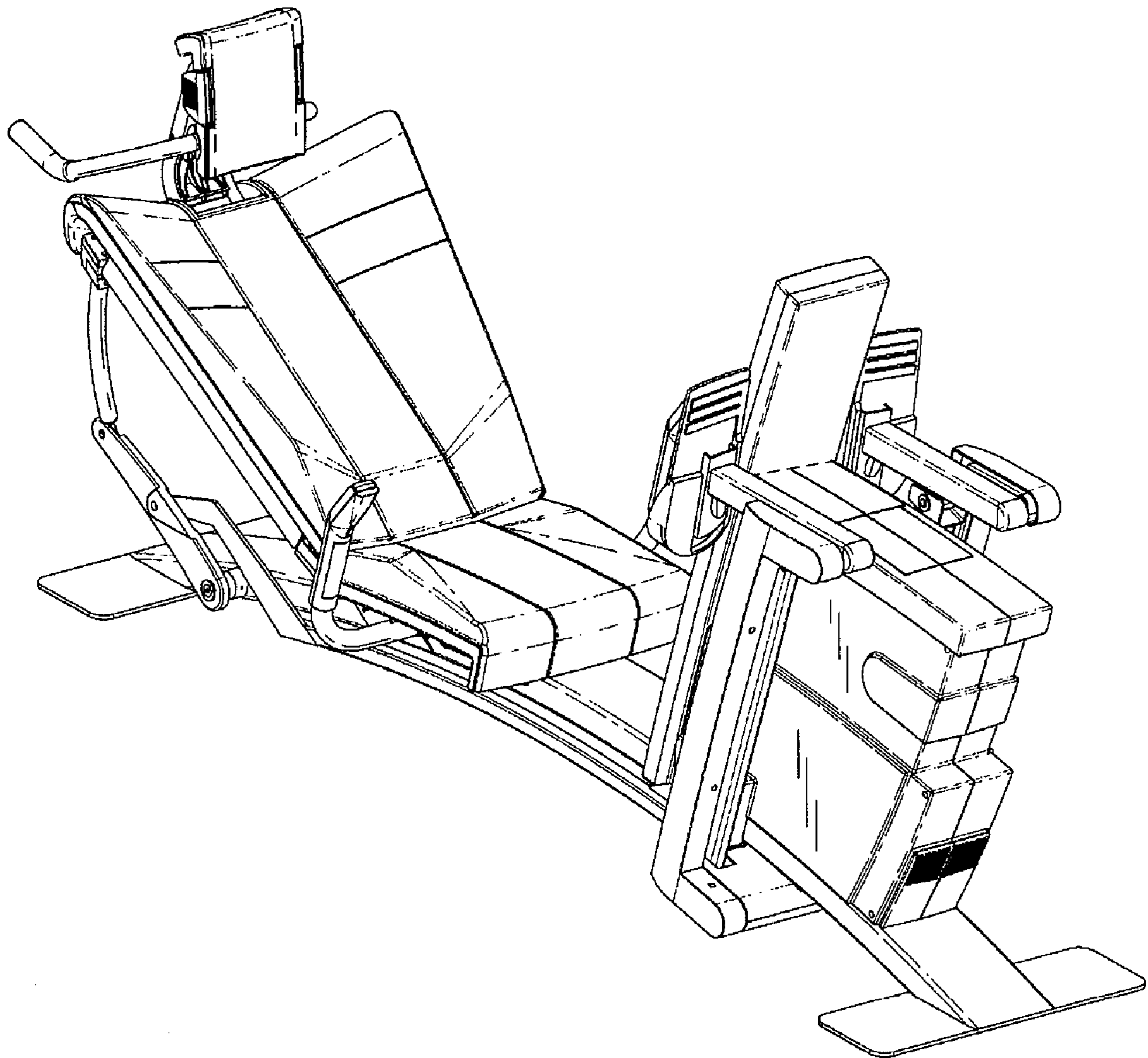
**DESCRIPTION**

FIG. 1 is the front perspective view of the exercise apparatus; FIG. 2 is the right side view of the exercise apparatus; FIG. 3 is the top view of the exercise apparatus; FIG. 4 is the front view of the exercise apparatus; and, FIG. 5 is the rear view of the exercise apparatus.

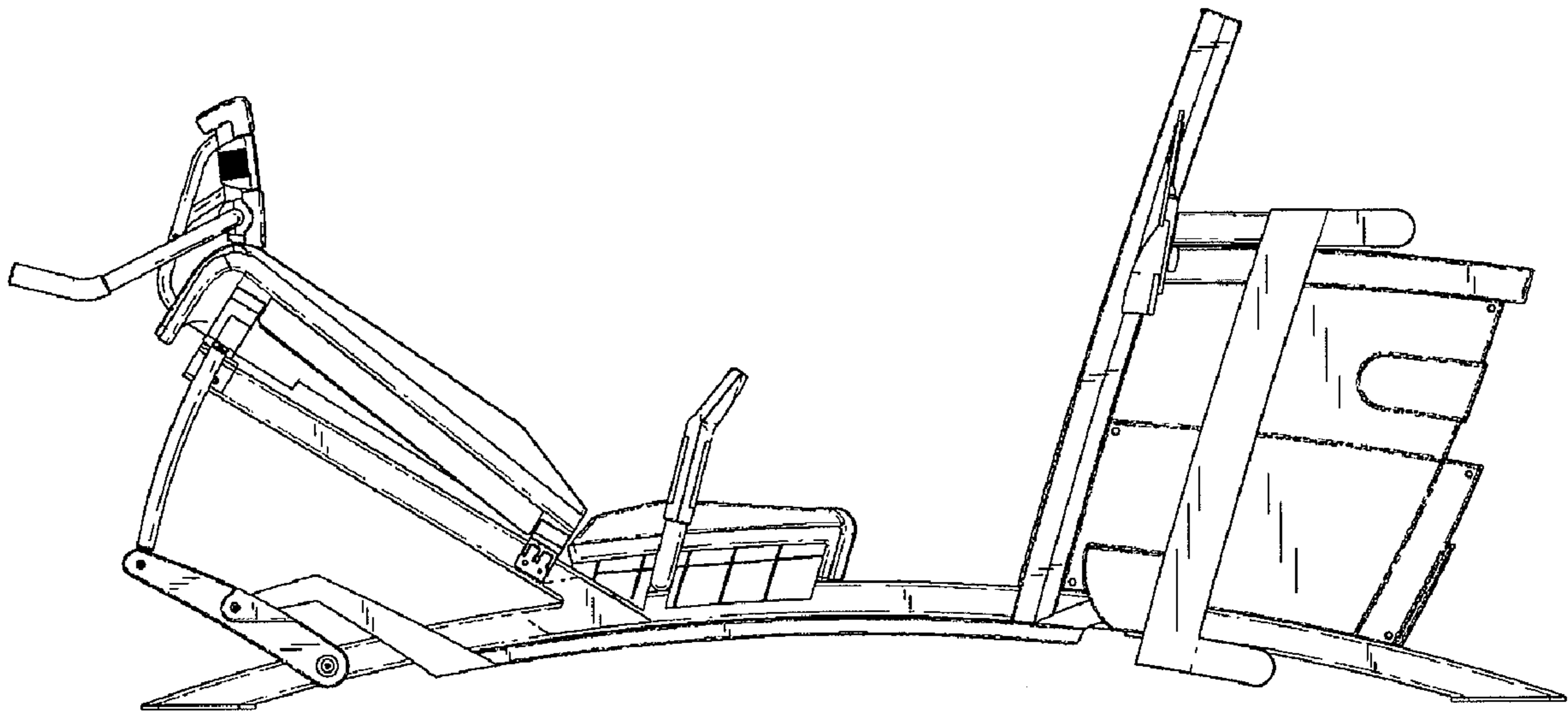
Broken lines, where utilized, are for illustrative purposes only and are not intended to limit the claimed design to the features shown in broken lines.

**1 Claim, 5 Drawing Sheets**

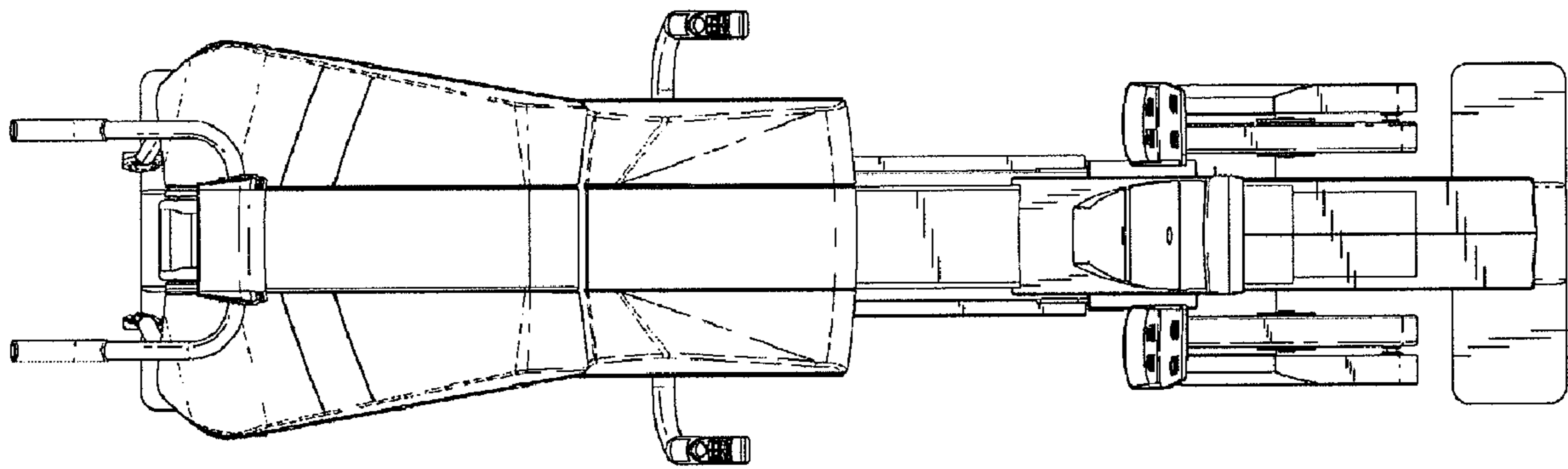




*FIG. 1*

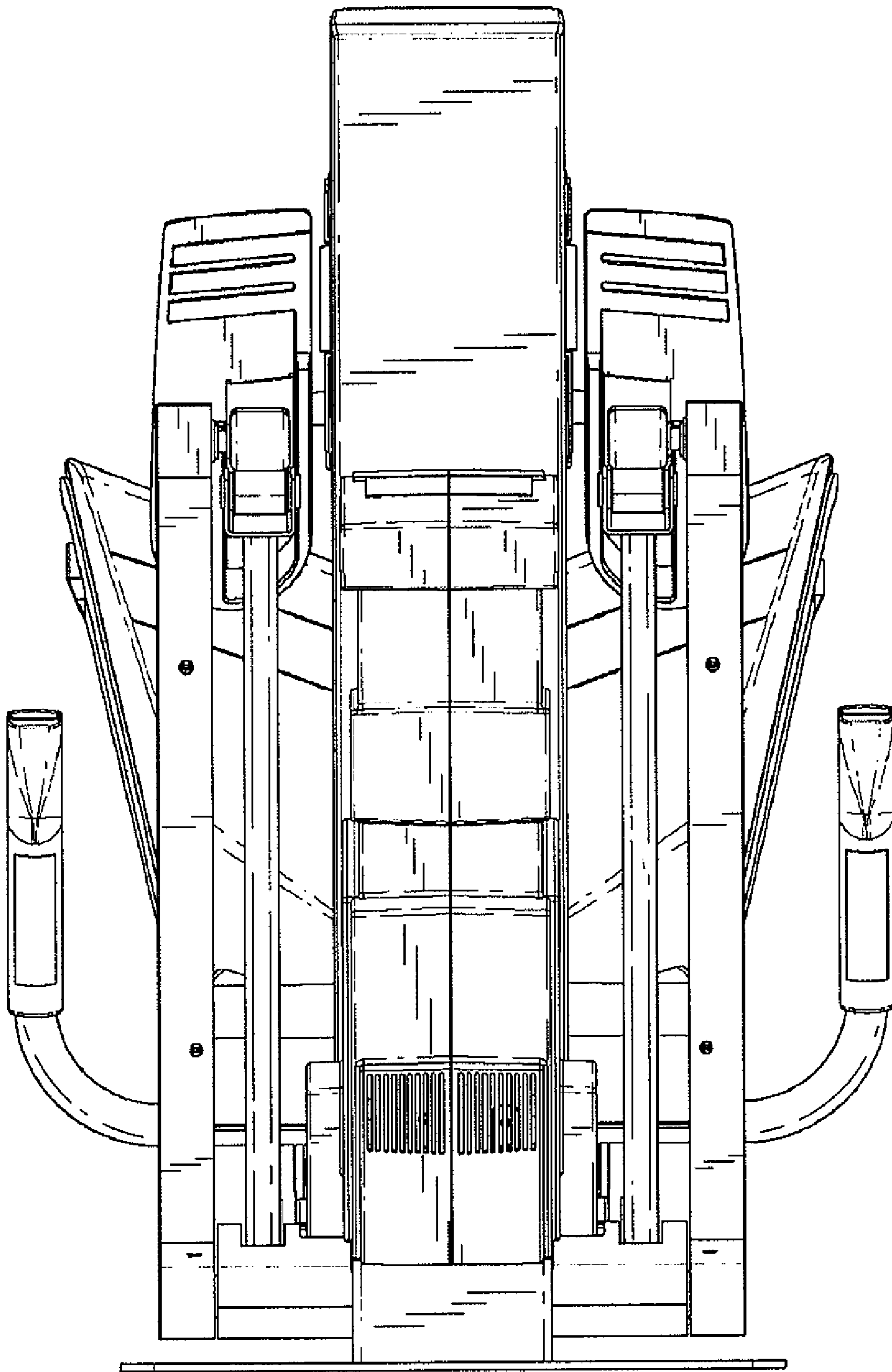


*FIG. 2*

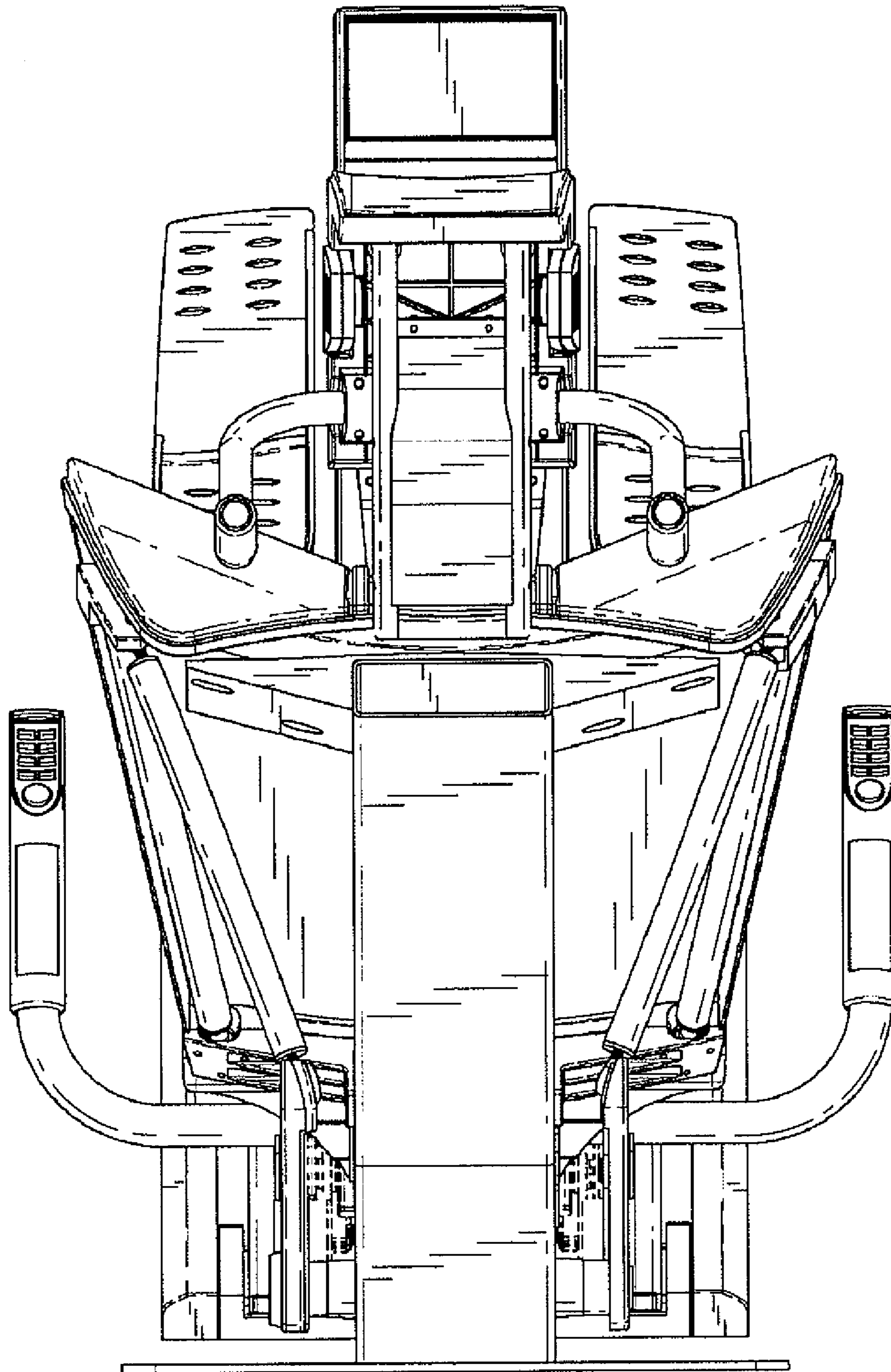


*FIG. 3*





*FIG. 4*



*FIG. 5*