



US00D613801S

(12) **United States Design Patent**
Kawanobe et al.

(10) **Patent No.:** **US D613,801 S**
(45) **Date of Patent:** **** Apr. 13, 2010**

(54) **PORTION OF A COMMUNICATION
CARTRIDGE FOR AN ELECTRONIC GAME
MACHINE**

(75) Inventors: **Naoya Kawanobe**, Kyoto (JP); **Yuji
Kawanobe**, legal representative, Sapporo
(JP); **Masaki Amano**, Kyoto (JP)

(73) Assignee: **Nintendo Co., Ltd.**, Kyoto (JP)

(**) Term: **14 Years**

(21) Appl. No.: **29/336,070**

(22) Filed: **Apr. 28, 2009**

Related U.S. Application Data

(62) Division of application No. 29/287,435, filed on Aug.
6, 2007, now Pat. No. Des. 608,397.

(30) **Foreign Application Priority Data**

Feb. 8, 2007 (JP) 2007-002968
Jun. 27, 2007 (JP) 2007-017103
Jun. 27, 2007 (JP) 2007-017105

(51) **LOC (9) Cl.** **21-01**

(52) **U.S. Cl.** **D21/333**

(58) **Field of Classification Search** D21/324,
D21/328, 332, 333; 273/148 B; 463/40-47,
463/30-34, 1; 345/156; D14/130, 238, 230;
343/803, 880, 881, 882

See application file for complete search history.

(56) **References Cited**

U.S. PATENT DOCUMENTS

D315,351 S 3/1991 Velazquez
D324,244 S 2/1992 Stamper
D330,018 S 10/1992 Miller
D348,886 S * 7/1994 Watanabe D14/238
D349,526 S 8/1994 Nakanishi
5,429,363 A 7/1995 Hayashi
D372,274 S 7/1996 Douglas et al.
5,809,520 A 9/1998 Edwards et al.

(Continued)

Primary Examiner—Prabhakar Deshmukh
(74) *Attorney, Agent, or Firm*—Nixon & Vanderhye, P.C.

(57) **CLAIM**

The ornamental design for a portion of a communication
cartridge for an electronic game machine, as shown and
described.

DESCRIPTION

FIG. 1 is a top, right and rear perspective view of a portion of
a communication cartridge for electronic game machine in its
extended state, showing our new design;

FIG. 2 is a bottom, left and front perspective view thereof;

FIG. 3 is a front view thereof;

FIG. 4 is a rear view thereof;

FIG. 5 is a top plan view thereof;

FIG. 6 is a bottom plan view thereof;

FIG. 7 is a right side view thereof;

FIG. 8 is a left side view thereof;

FIG. 9 is a top, right and rear perspective view of a portion of
a communication cartridge for electronic game machine in its
folded state, showing our new design;

FIG. 10 is a bottom, left and front perspective view thereof;

FIG. 11 is a front view thereof;

FIG. 12 is a rear view thereof;

FIG. 13 is a top plan view thereof;

FIG. 14 is a bottom plan view thereof;

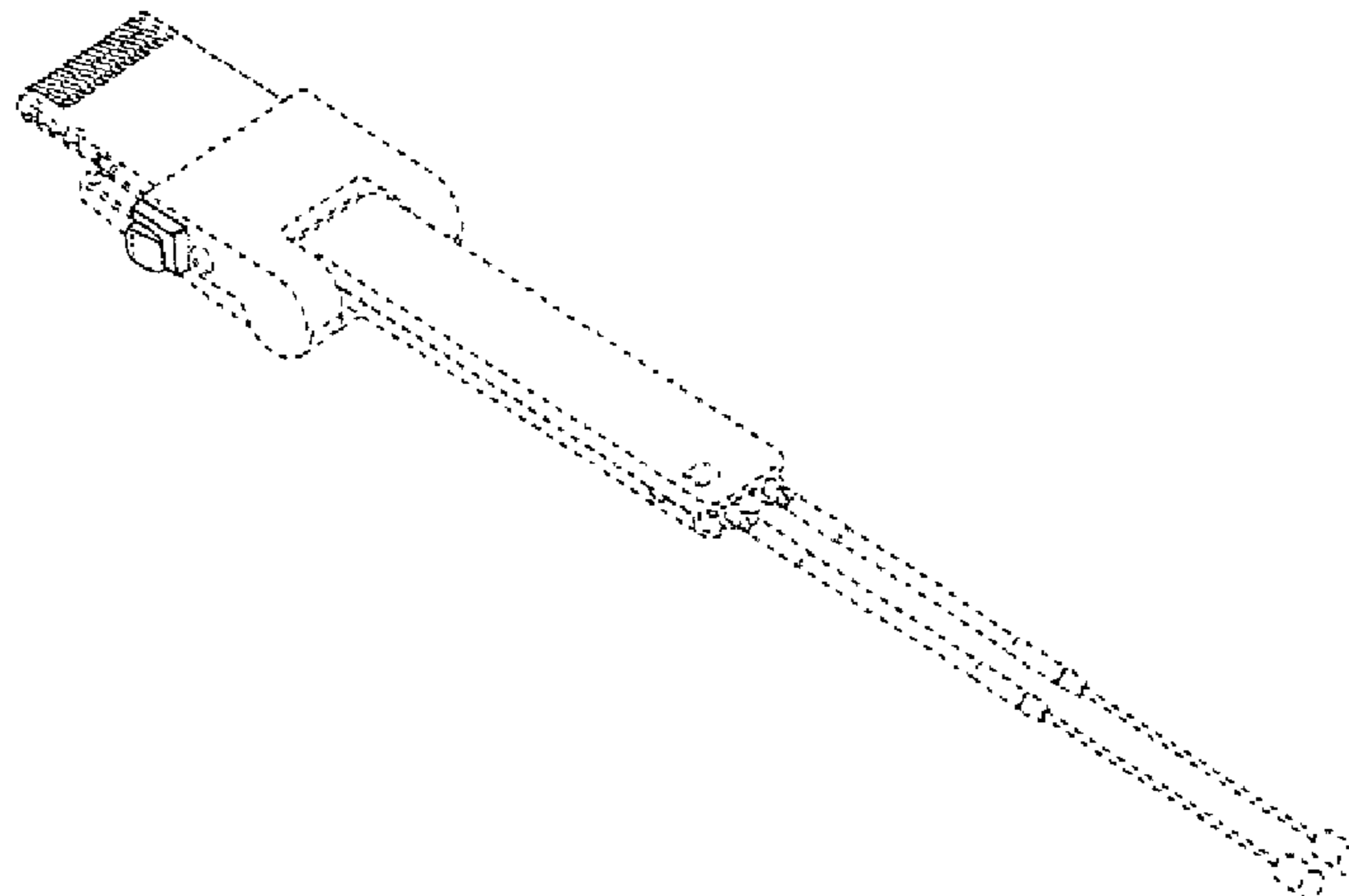
FIG. 15 is a right side view thereof;

FIG. 16 is a left side view thereof; and,

FIG. 17 is a reference perspective view showing a state where
the communication cartridge is attached to an electronic
game machine.

The broken lines are for illustrative purpose only and form no
part of the claimed design.

1 Claim, 4 Drawing Sheets



US D613,801 S

Page 2

| U.S. PATENT DOCUMENTS | | | | | | | |
|-----------------------|------|---------|-------------------------|--------------|------|---------|--------------------------|
| | | | | 7,429,956 | B2 * | 9/2008 | Park et al. 343/702 |
| | | | | D583,364 | S | 12/2008 | Ito et al. |
| 5,963,179 | A * | 10/1999 | Chavez 343/892 | 2003/0008709 | A1 * | 1/2003 | Higashida 463/39 |
| D442,170 | S * | 5/2001 | Mou D14/238 | 2006/0247050 | A1 * | 11/2006 | Mathis 463/39 |
| 6,238,291 | B1 | 5/2001 | Fujimoto et al. | 2006/0293102 | A1 * | 12/2006 | Kelsey 463/37 |
| 6,264,558 | B1 | 7/2001 | Nishiumi et al. | 2008/0119269 | A1 | 5/2008 | Nonaka et al. |
| D470,838 | S * | 2/2003 | Kim D14/234 | | | | |
| 6,929,543 | B1 | 8/2005 | Ueshima | | | | |
| 7,345,646 | B1 * | 3/2008 | Lin et al. 343/882 | | | | |

* cited by examiner

FIG. 1

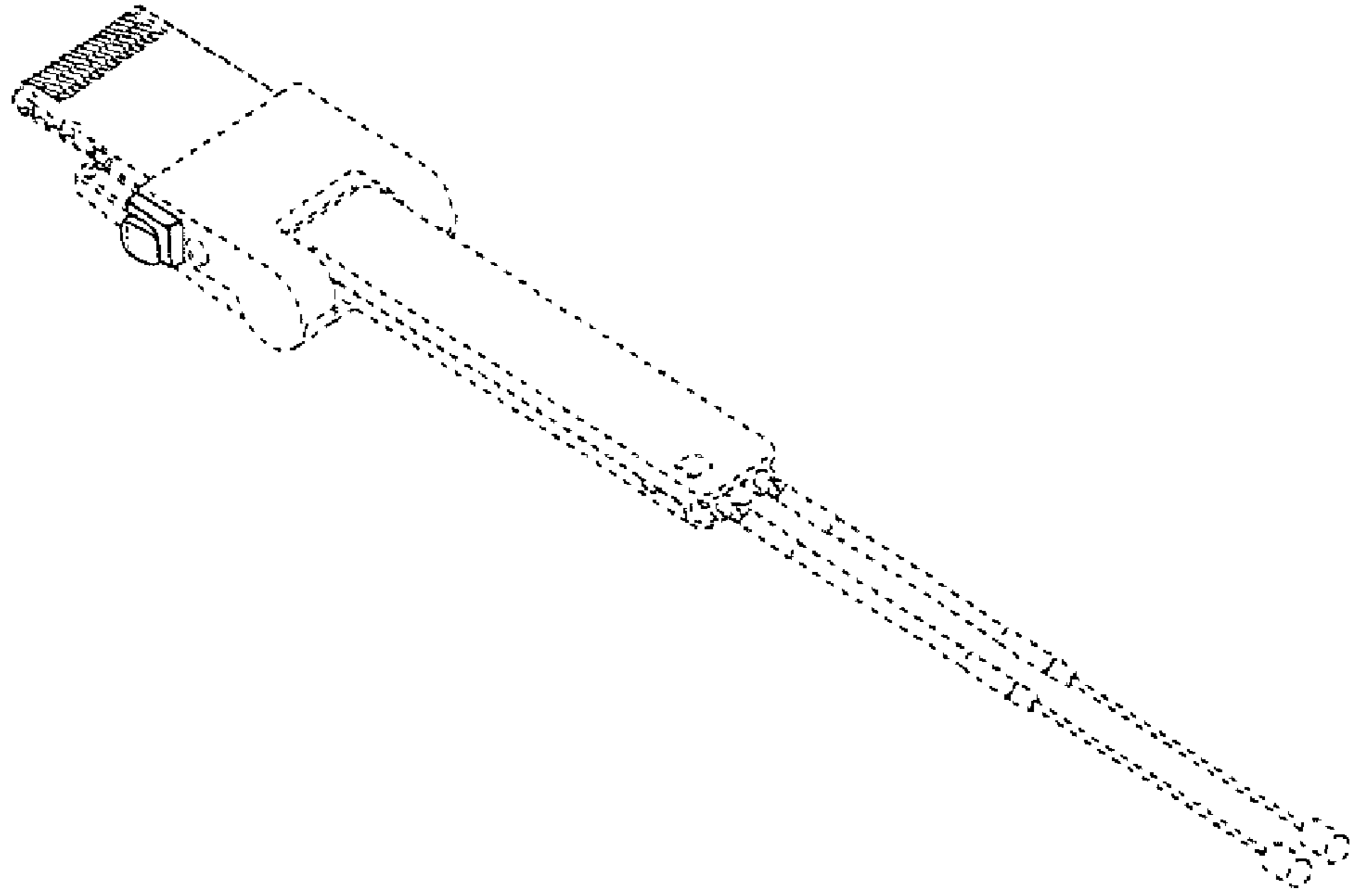


FIG. 2

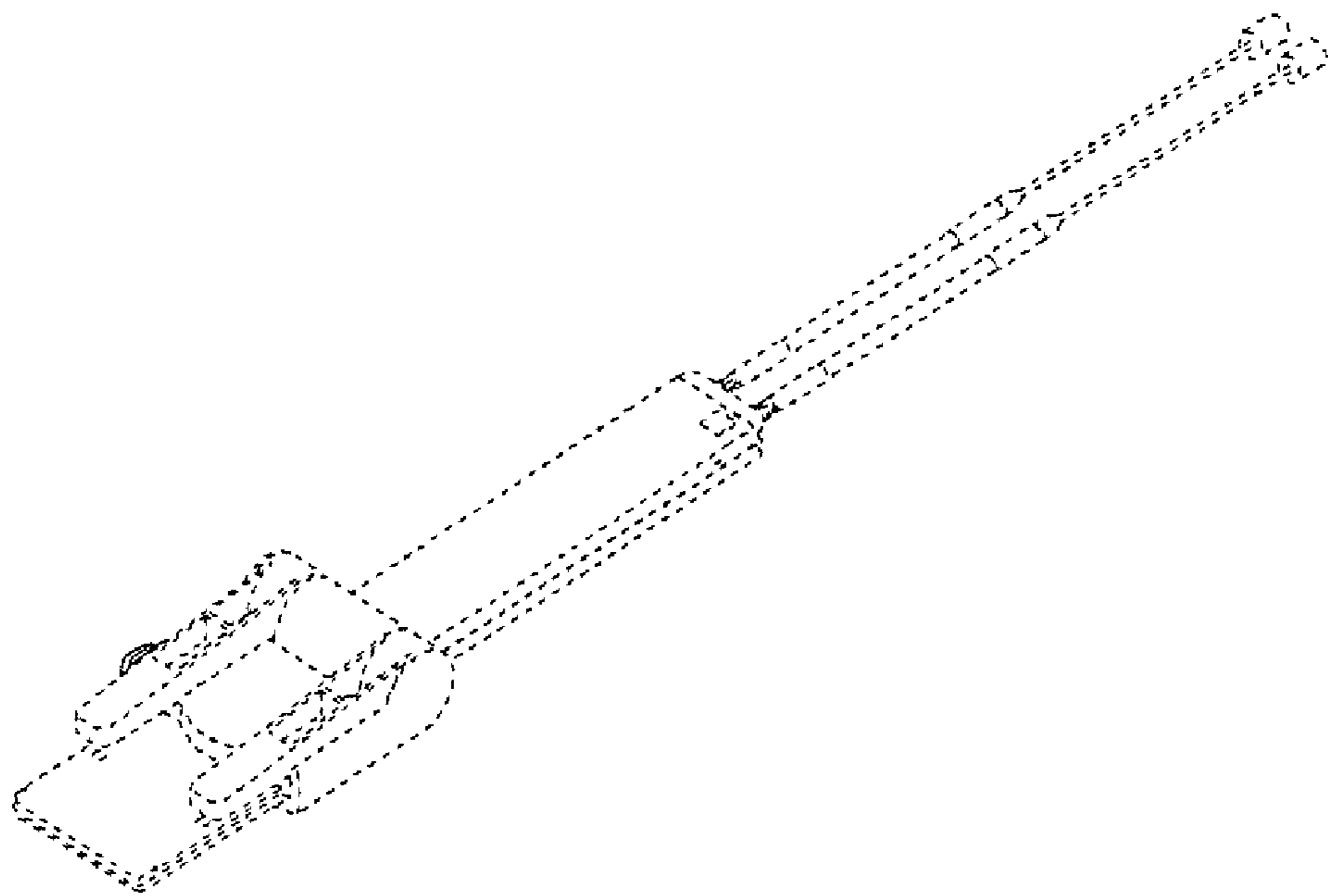


FIG. 3

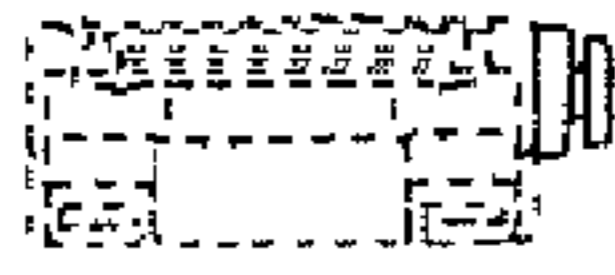


FIG. 4

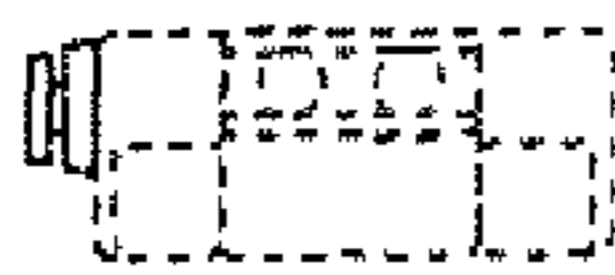


FIG. 5

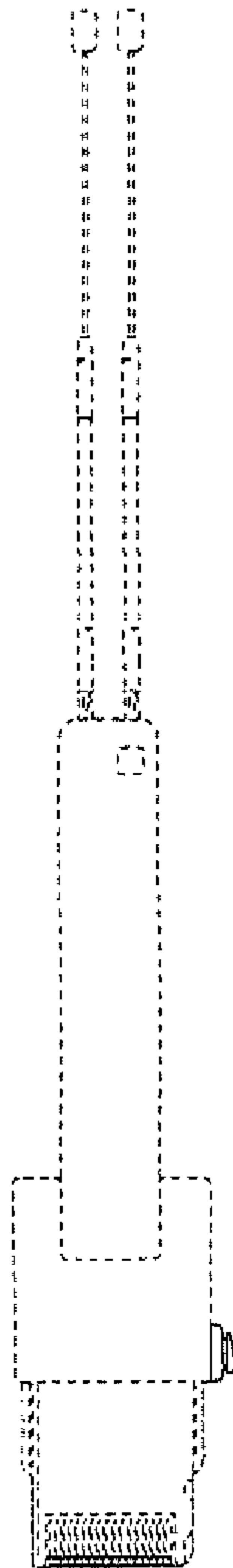


FIG. 6

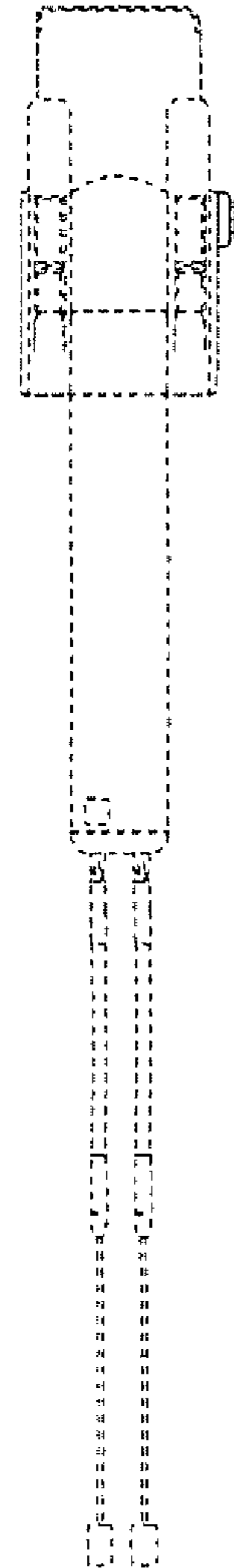


FIG. 7

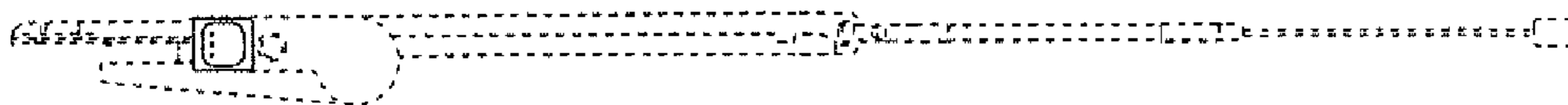


FIG. 8

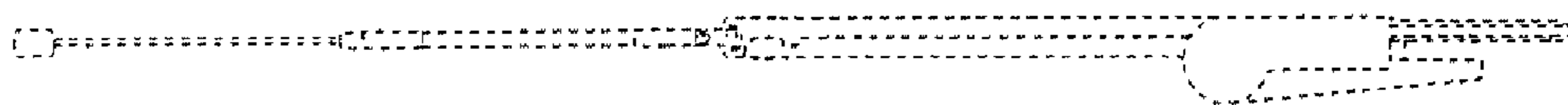


FIG. 9

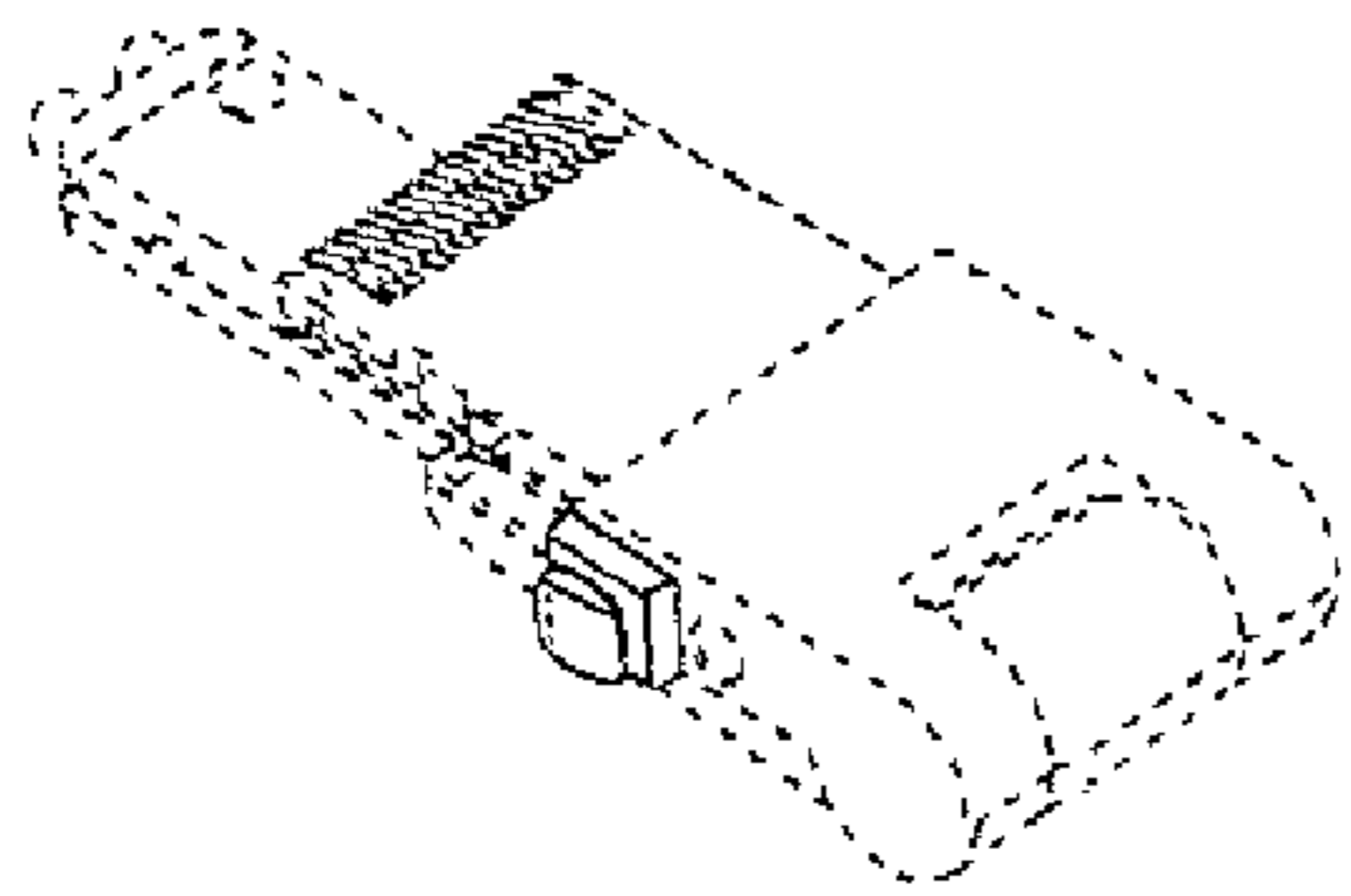


FIG. 10

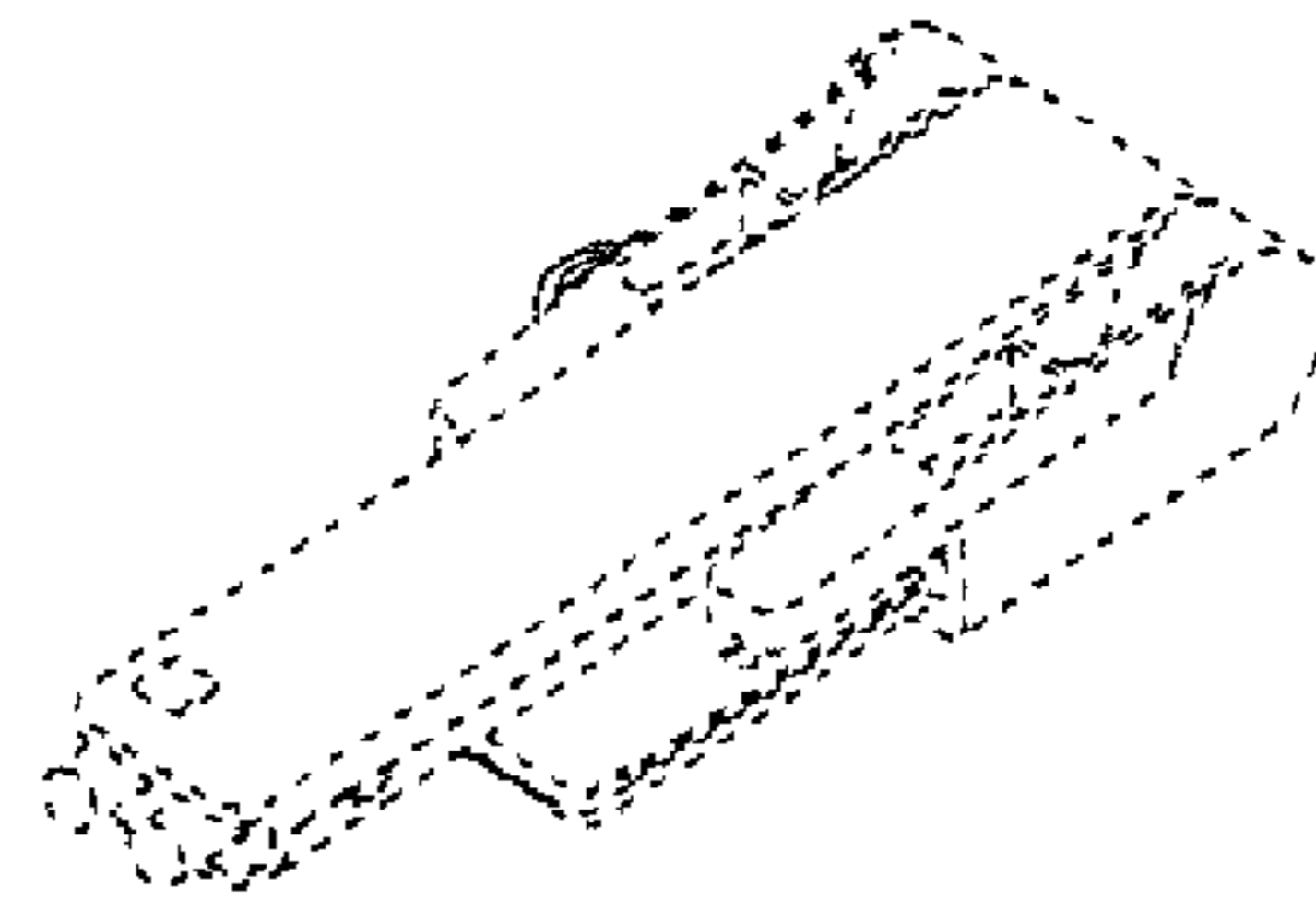


FIG. 11

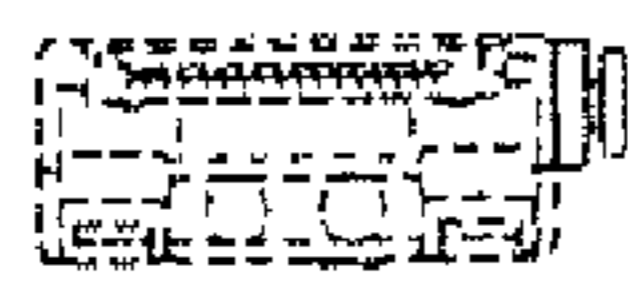


FIG. 12



FIG. 13

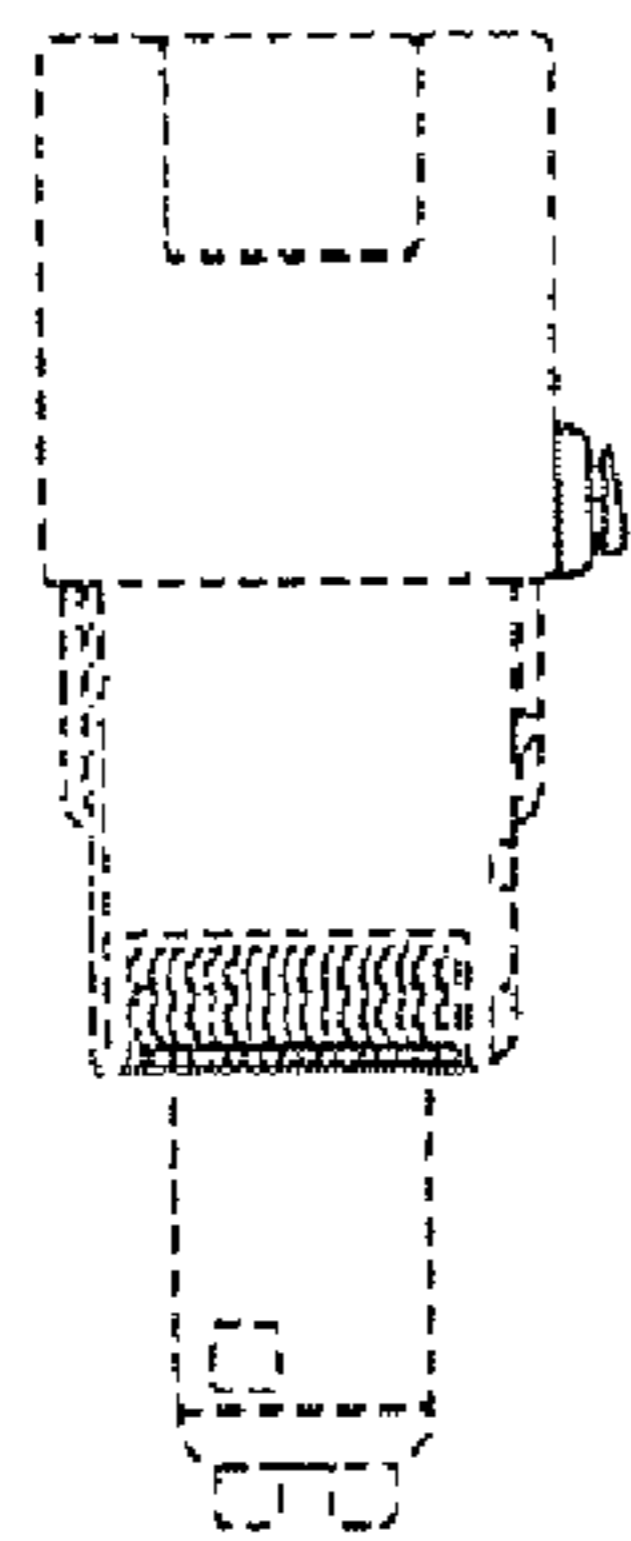


FIG. 14

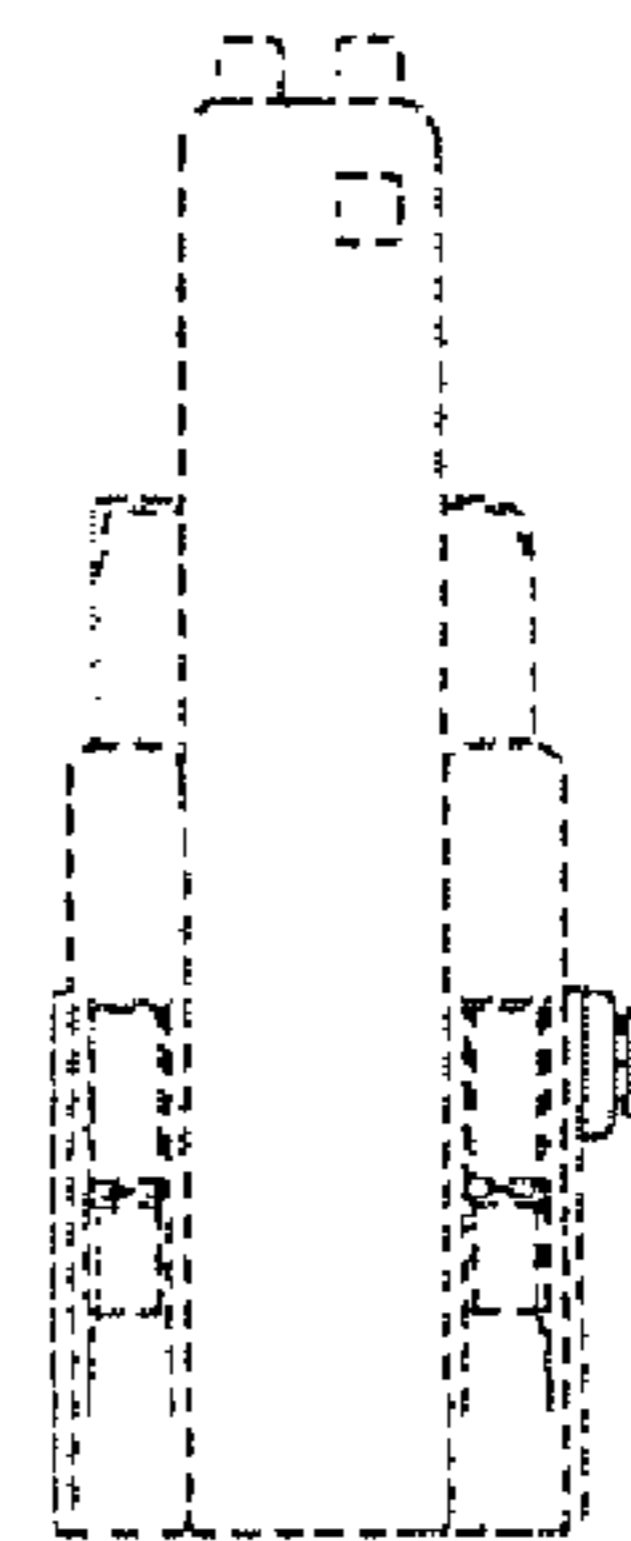


FIG. 15

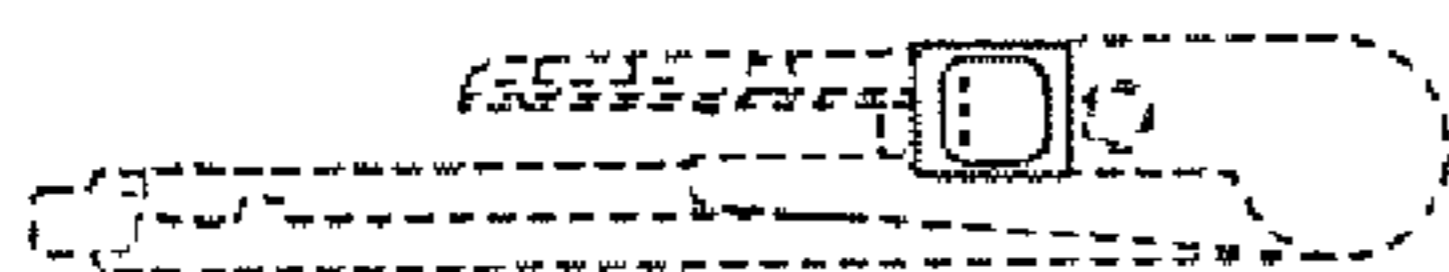


FIG. 16

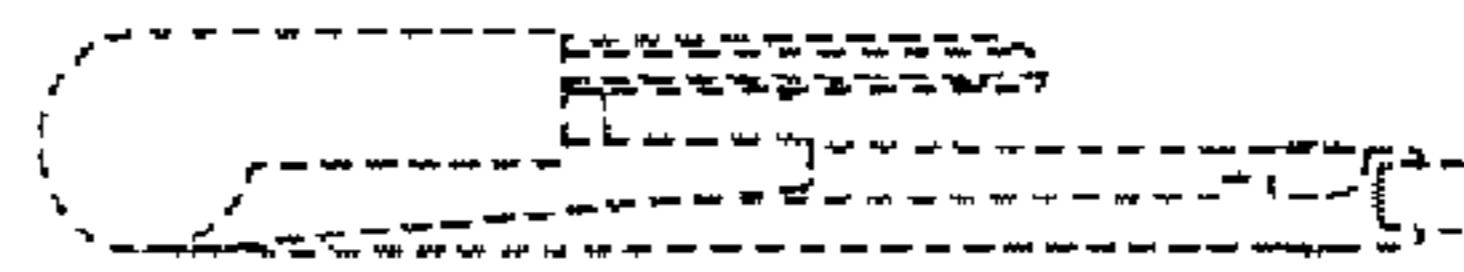


FIG. 17

