



US00D613797S

(12) **United States Design Patent**
Krapf et al.

(10) **Patent No.:** **US D613,797 S**

(45) **Date of Patent:** **** Apr. 13, 2010**

(54) **MAGNET POINTER**

(75) Inventors: **Wallace A. Krapf**, Macedon, NY (US);
John Deats, Brockport, NY (US); **Ryan O'Connell**, Rochester, NY (US)

(73) Assignee: **W.A. Krapf, Inc.**, Macedon, NY (US)

(**) Term: **14 Years**

(21) Appl. No.: **29/335,392**

(22) Filed: **Apr. 15, 2009**

(51) **LOC (9) Cl.** **19-99**

(52) **U.S. Cl.** **D19/99**

(58) **Field of Classification Search** D8/394,
D8/395, 396; D10/122; D13/183; D19/65,
D19/99, 100; 33/574, DIG. 1; 116/288,
116/328, 329, 332

See application file for complete search history.

(56) **References Cited**

U.S. PATENT DOCUMENTS

| | | | | |
|-----------|-----|---------|-------------------|------------|
| 3,262,705 | A * | 7/1966 | Nunziato | 473/238 |
| 3,347,551 | A * | 10/1967 | Dreyfus | 473/257 |
| D227,742 | S * | 7/1973 | Logsdon | D8/354 |
| 4,068,121 | A * | 1/1978 | Bringhurst et al. | 250/227.28 |
| 4,300,470 | A * | 11/1981 | Furukawa | 116/332 |
| 4,707,892 | A * | 11/1987 | Nelson | 24/336 |
| 4,723,504 | A * | 2/1988 | Griffin et al. | 116/332 |
| 4,860,170 | A * | 8/1989 | Sakakibara et al. | 362/26 |
| 4,959,759 | A * | 9/1990 | Kohler | 362/489 |
| 5,044,304 | A * | 9/1991 | Tomita | 116/286 |
| 5,142,274 | A * | 8/1992 | Murphy et al. | 345/7 |
| D339,840 | S * | 9/1993 | Coconate | D21/717 |
| D347,457 | S * | 5/1994 | Armstrong, III | D21/791 |
| 5,458,082 | A * | 10/1995 | Cookingham | 116/288 |
| 5,609,415 | A * | 3/1997 | Protz, Jr. | 362/396 |

| | | | | |
|--------------|------|---------|------------------|---------|
| D385,939 | S * | 11/1997 | Suk | D21/794 |
| 5,803,013 | A * | 9/1998 | Joshi et al. | 116/328 |
| 5,842,435 | A * | 12/1998 | Tsukamoto et al. | 116/288 |
| D484,783 | S * | 1/2004 | Woodhall | D8/395 |
| D487,482 | S * | 3/2004 | Disher | D19/65 |
| D490,133 | S * | 5/2004 | Hadala | D21/791 |
| 6,955,438 | B2 * | 10/2005 | Ishii | 362/29 |
| D535,699 | S | 1/2007 | Krapf | |
| 2002/0135995 | A1 * | 9/2002 | Fujita et al. | 362/27 |
| 2004/0212977 | A1 * | 10/2004 | Ishii | 362/23 |

* cited by examiner

Primary Examiner—Elizabeth A Albert

(74) *Attorney, Agent, or Firm*—Hiscock & Barclay, LLP

(57) **CLAIM**

The ornamental design for a magnet pointer, as shown and described.

DESCRIPTION

FIG. 1 is a top perspective view of a magnet pointer, illustrating our new design;

FIG. 2 is a top view thereof;

FIG. 3 is a left side view, the right side view being a mirror image thereof;

FIG. 4 is a bottom view thereof;

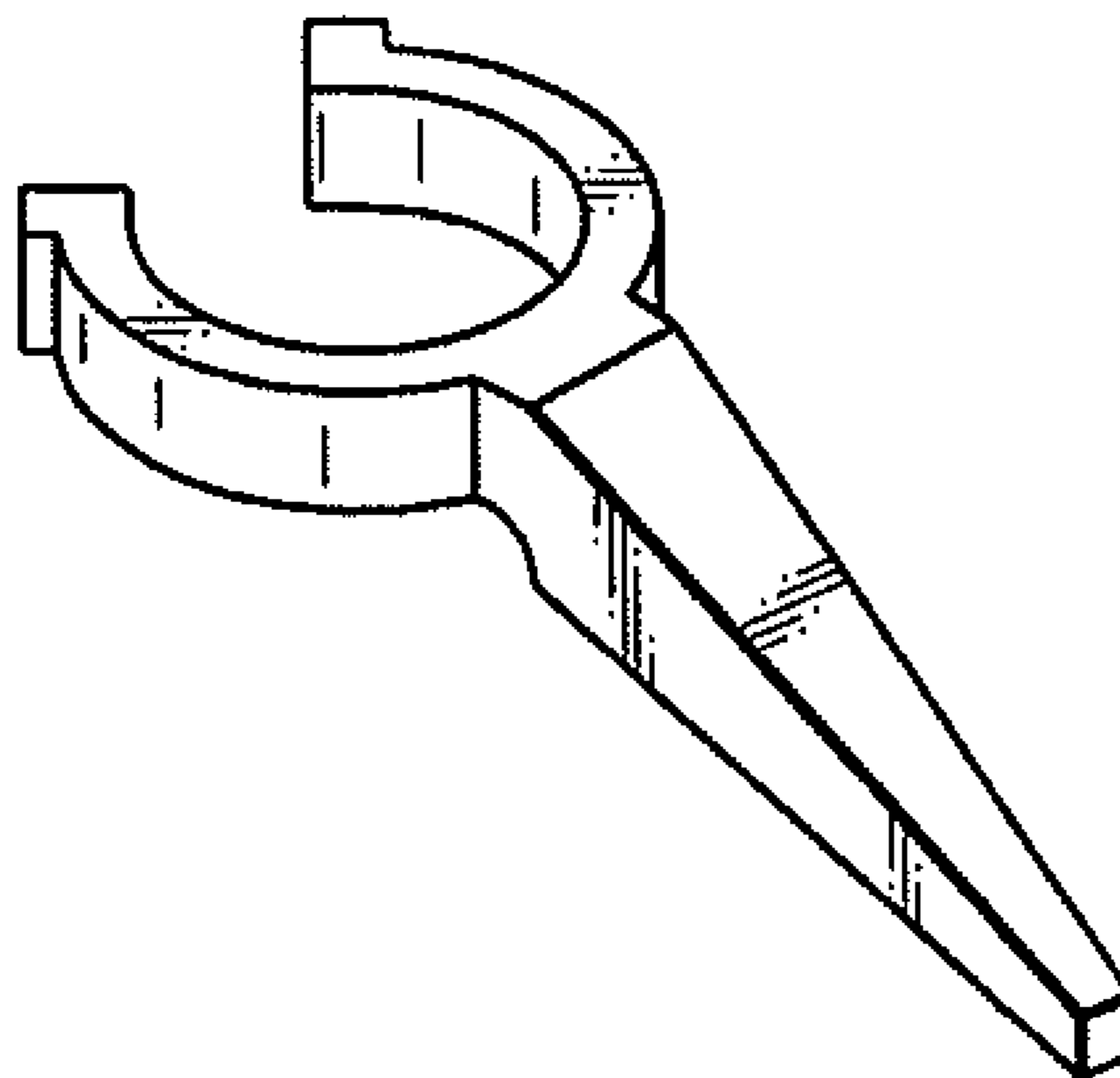
FIG. 5 is a front end view thereof;

FIG. 6 is a rear end view thereof; and,

FIG. 7 is a perspective view thereof depicting an exemplary in use condition.

The broken lines showing a magnetic tack in FIG. 7 are included for the purpose of illustrating environmental structure and form no part of the claimed design.

1 Claim, 1 Drawing Sheet



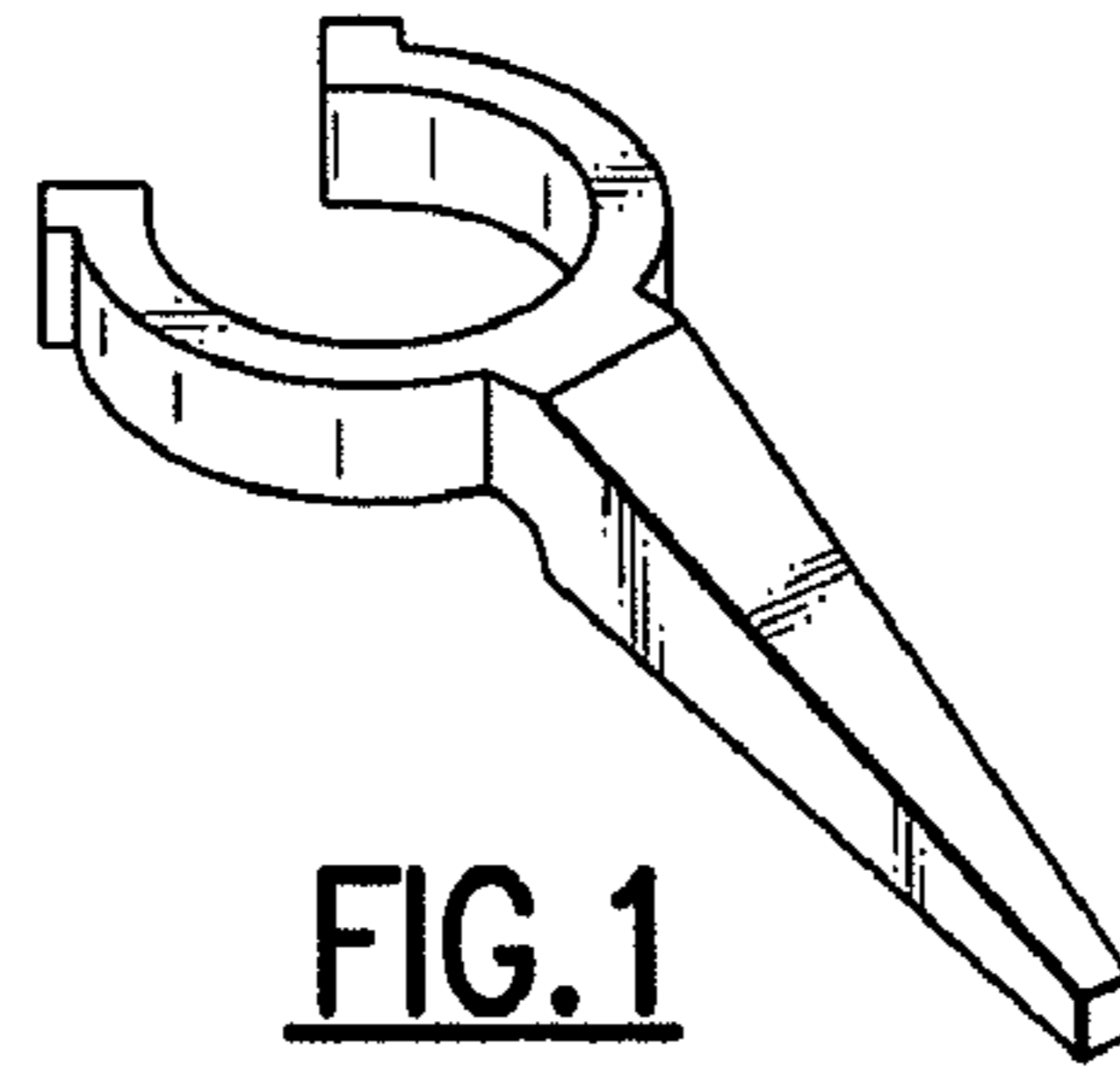


FIG. 1

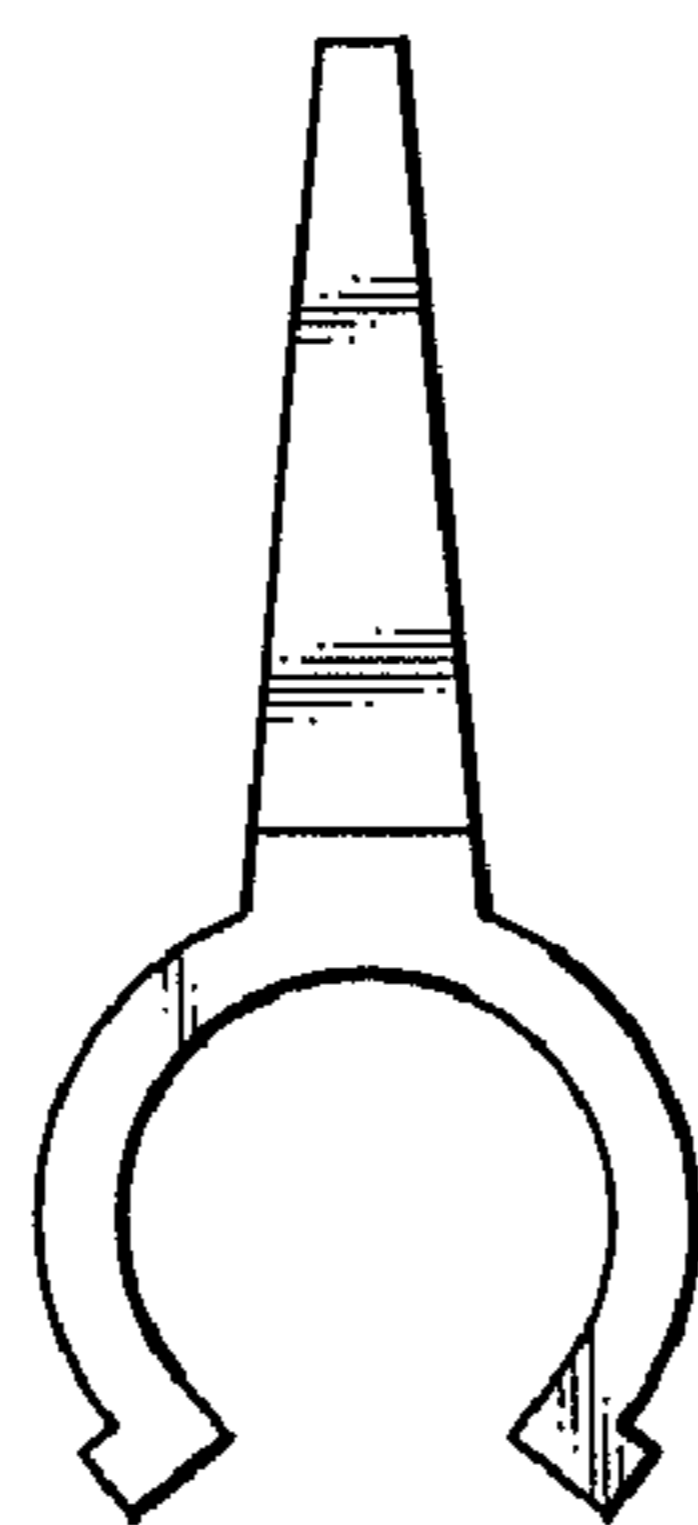


FIG. 2

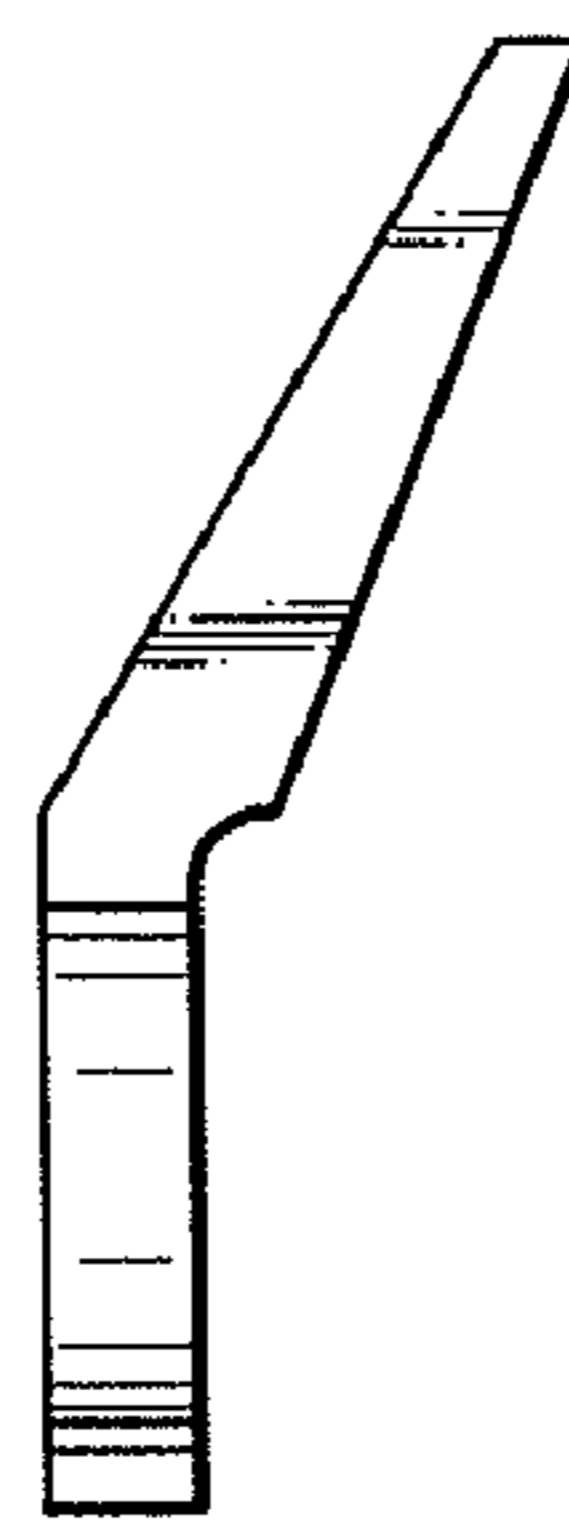


FIG. 3

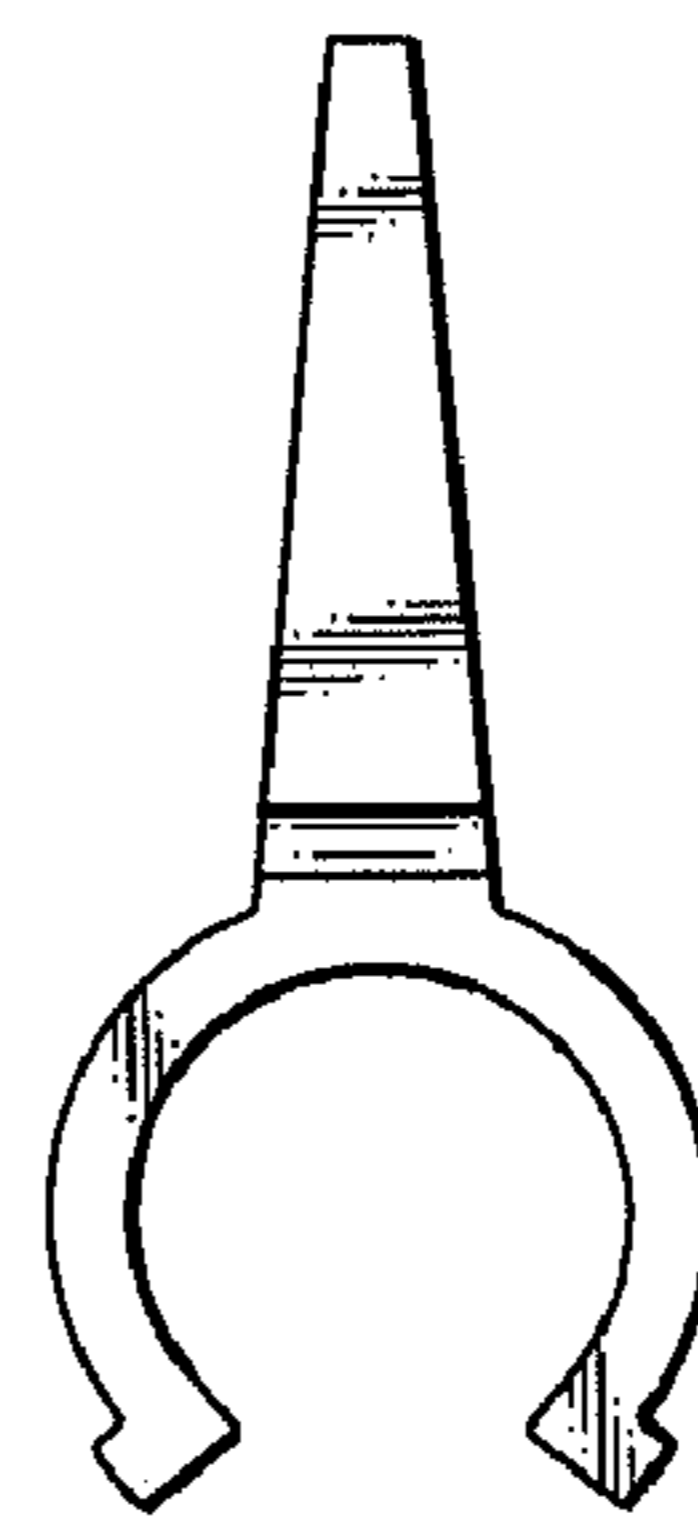


FIG. 4

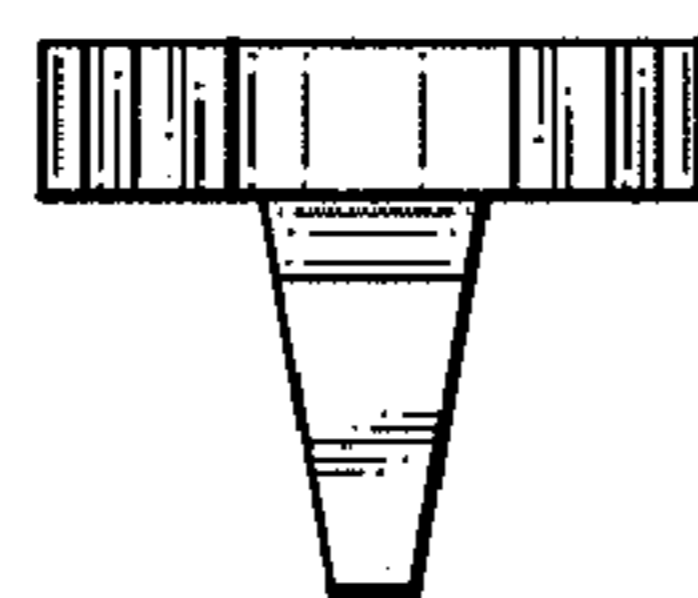


FIG. 5

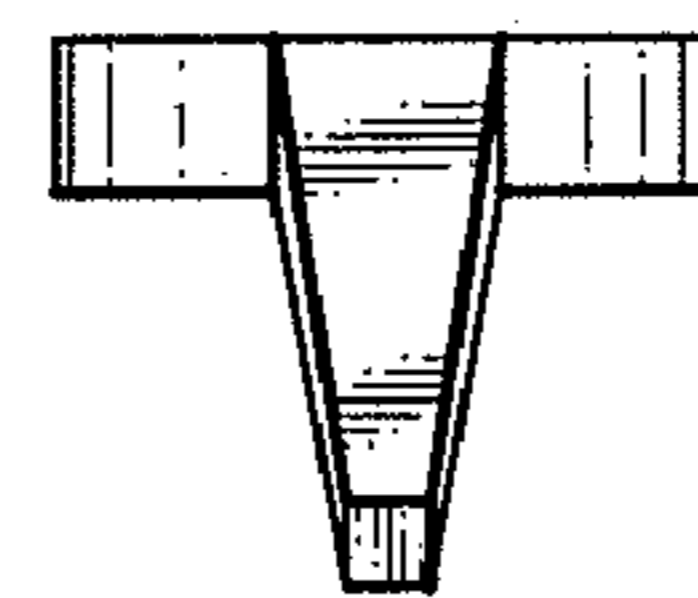


FIG. 6

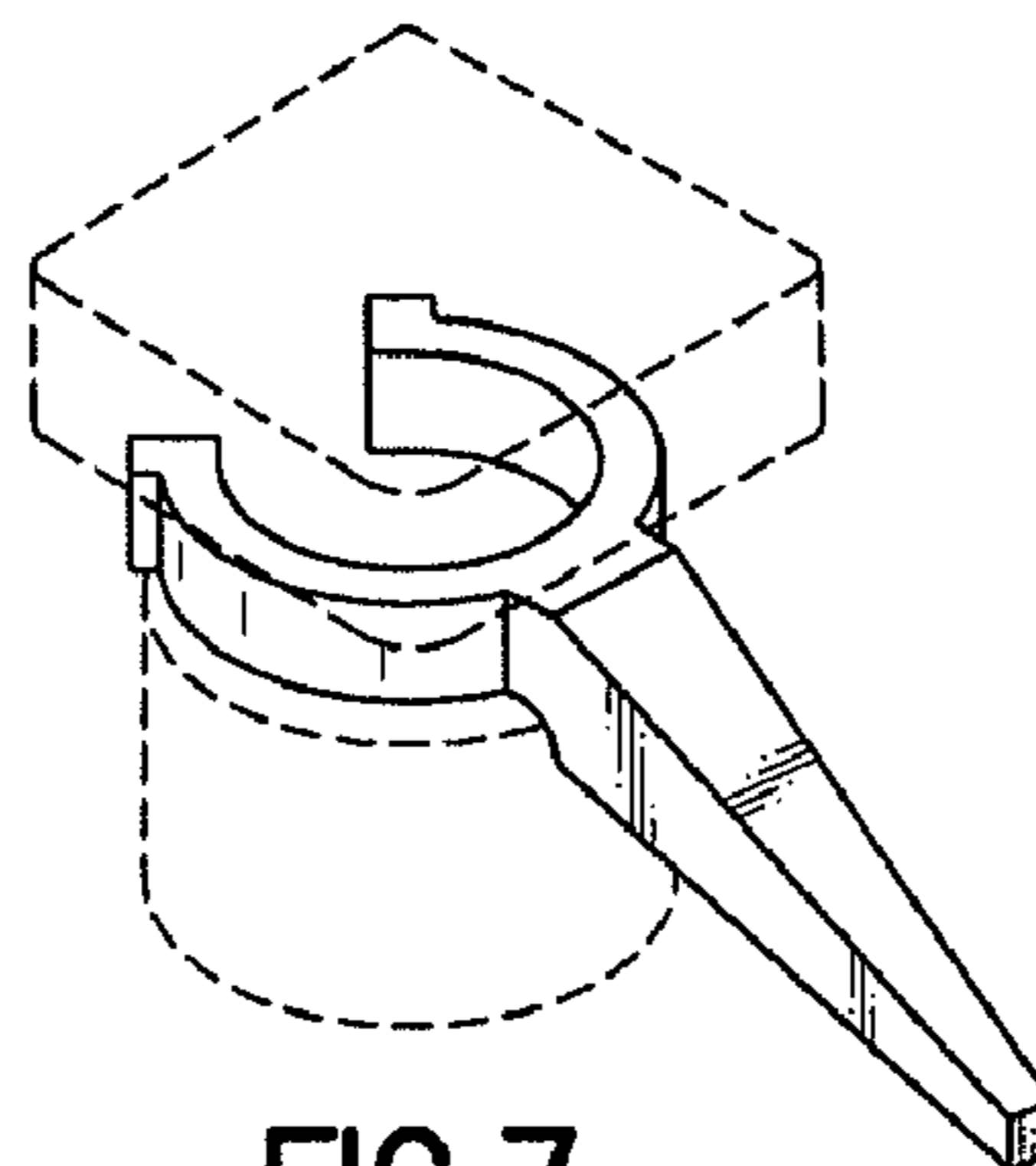


FIG. 7