



US00D613795S

(12) **United States Design Patent**
Exley

(10) **Patent No.:** **US D613,795 S**

(45) **Date of Patent:** **** Apr. 13, 2010**

(54) **PAPER PUNCH**

(76) Inventor: **Ross James Exley**, 700 Bloomfield St.,
Hoboken, NJ (US) 07030

(**) Term: **14 Years**

(21) Appl. No.: **29/312,370**

(22) Filed: **Oct. 16, 2008**

(51) **LOC (9) Cl.** **19-02**

(52) **U.S. Cl.** **D19/72**

(58) **Field of Classification Search** D8/98;
D19/72; 30/358; 83/167, 467.1, 468, 468.2,
83/549, 588, 618, 620, 633, 651, 684
See application file for complete search history.

(56) **References Cited**

U.S. PATENT DOCUMENTS

1,728,475	A *	9/1929	Cavill	83/468
2,778,420	A *	1/1957	Simon	83/549
4,288,018	A *	9/1981	Taniguchi	227/76
4,879,932	A *	11/1989	Scalise et al.	83/30
D330,049	S *	10/1992	Lathrop et al.	D19/72
2007/0180969	A1 *	8/2007	Kanasashi et al.	83/684

OTHER PUBLICATIONS

Paper Shapers Slim and Compact 1" Round Punch, as shown on
www.etsy.com, dated Jun. 26, 2009 (2 pages).*

EK Success Slim Profile Border and Shape Punches, as shown on
www.craftcritique.com, dated May 08, 2009 (p. 3 of 16).*

* cited by examiner

Primary Examiner—Elizabeth A Albert

Assistant Examiner—Karen E Eldridge Powers

(74) *Attorney, Agent, or Firm*—Sofer & Haroun, LLP

(57) **CLAIM**

I claim the ornamental design for a paper punch, as shown and
described.

DESCRIPTION

FIG. 1 is a drawing of a top perspective view showing my
design of a paper punch;

FIG. 2 shows the paper punch of FIG. 1 in a bottom perspec-
tive view;

FIG. 3 shows the paper punch of FIG. 1 in a left side view, the
right side having an identical design to the left side, reversed;

FIG. 4 shows the paper punch of FIG. 1 in a top view;

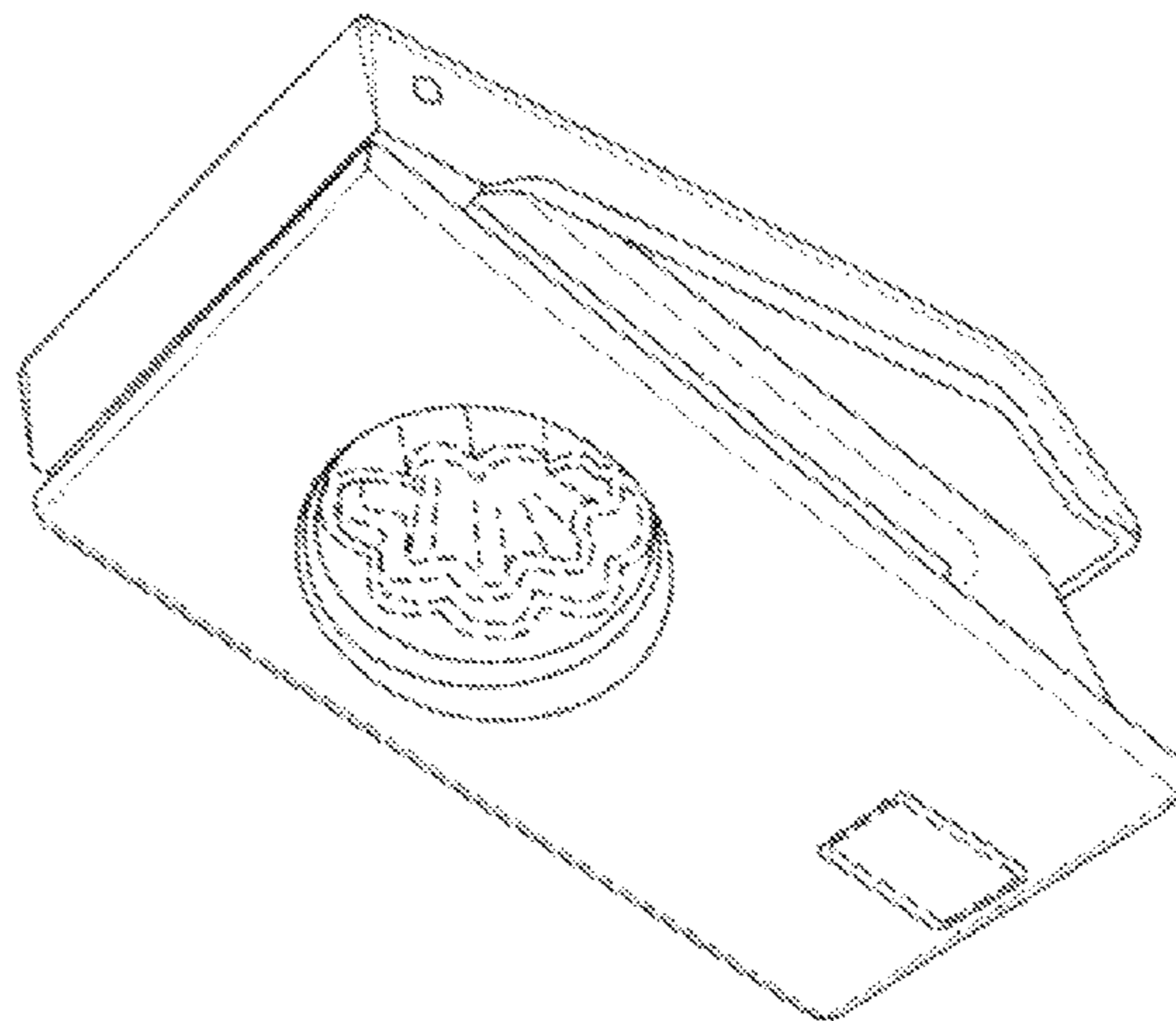
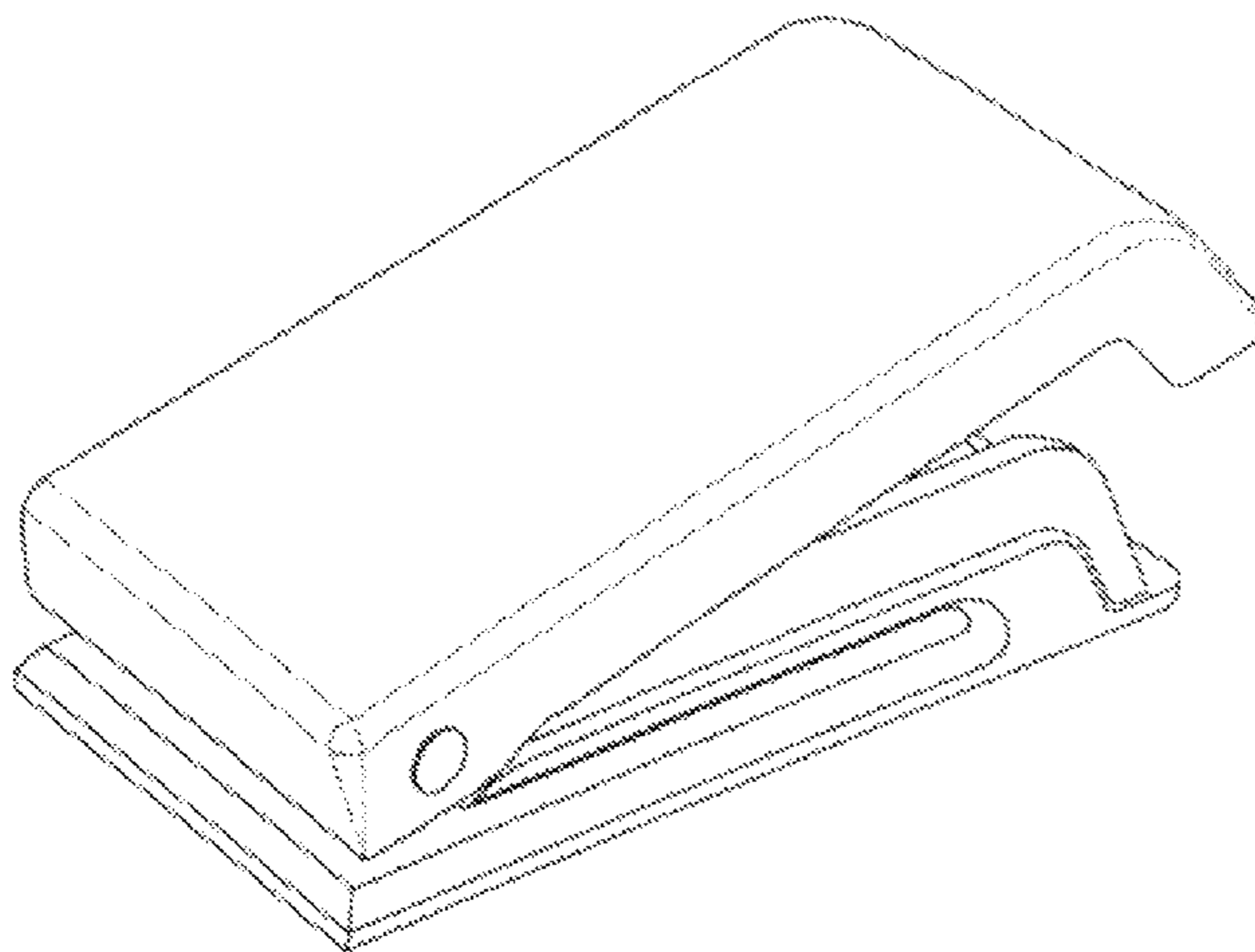
FIG. 5 shows the paper punch of FIG. 1 in a front view;

FIG. 6 shows the paper punch of FIG. 1 in a back view; and,

FIG. 7 shows the paper punch of FIG. 1 in a bottom view.

The shapes shown in broken lines within the circular recesses of
FIGS. 2 and 7 illustrate environmental matter and form no
part of the claimed design. The broken lines shown just inside
the rectangle in FIGS. 2 and 7, which define the bounds of the
claimed design, form no part thereof.

1 Claim, 7 Drawing Sheets



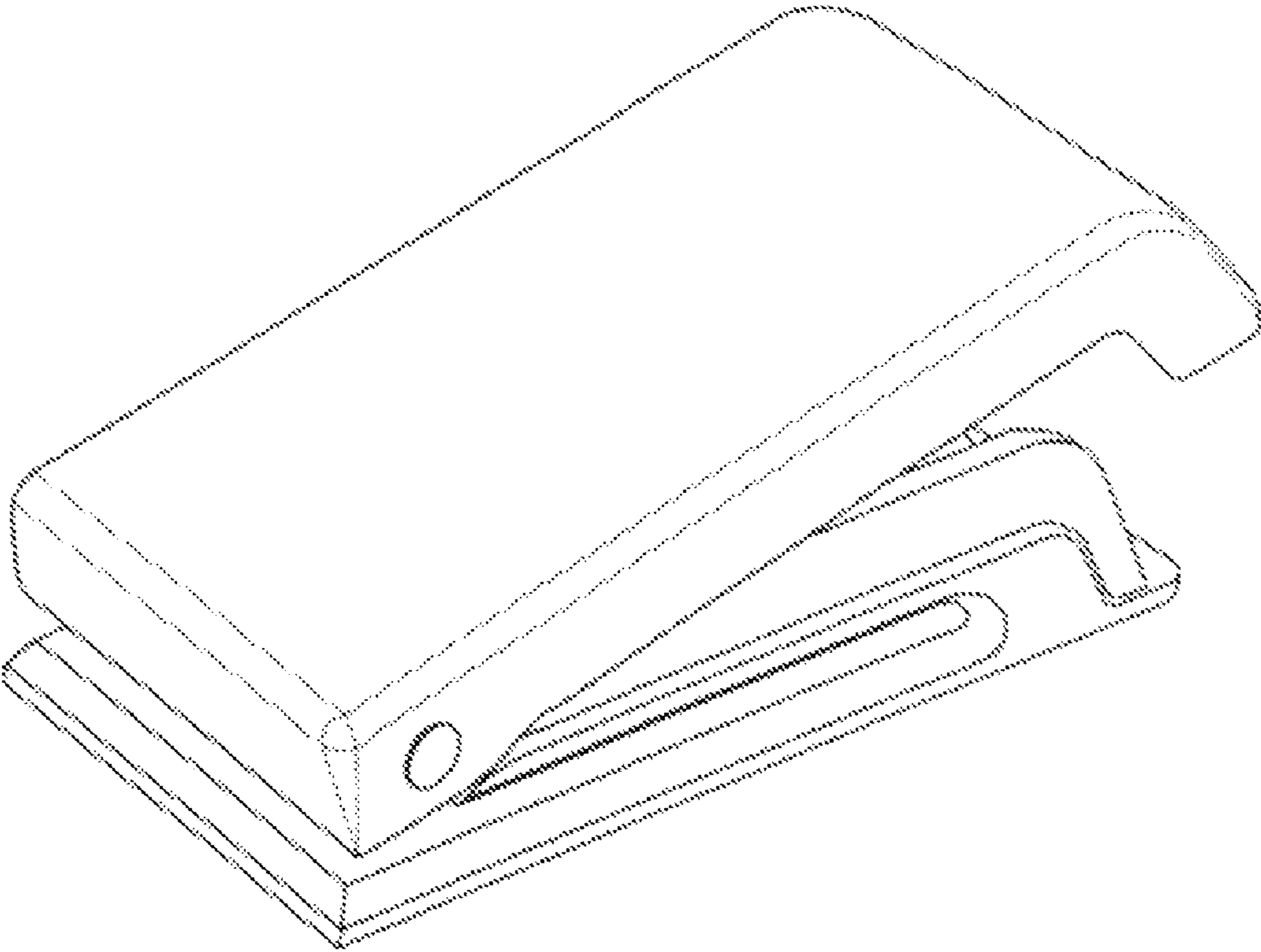


FIG. 1

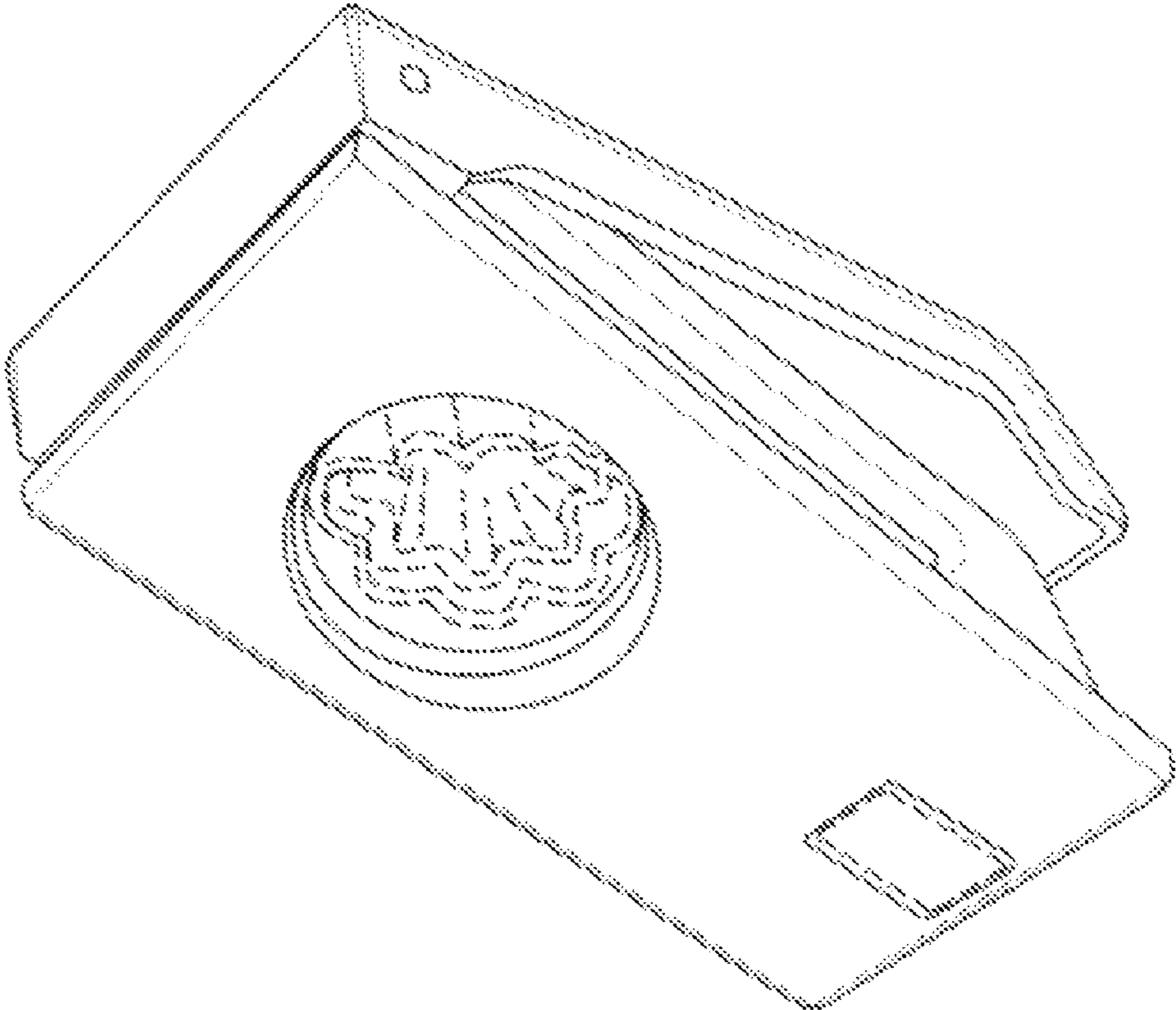


FIG. 2

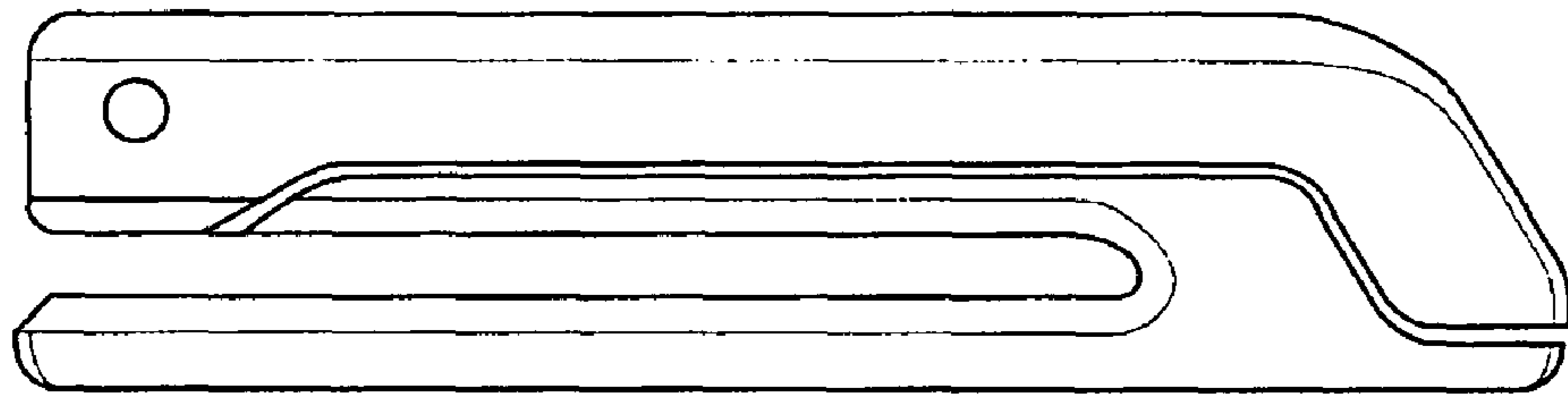


FIG. 3

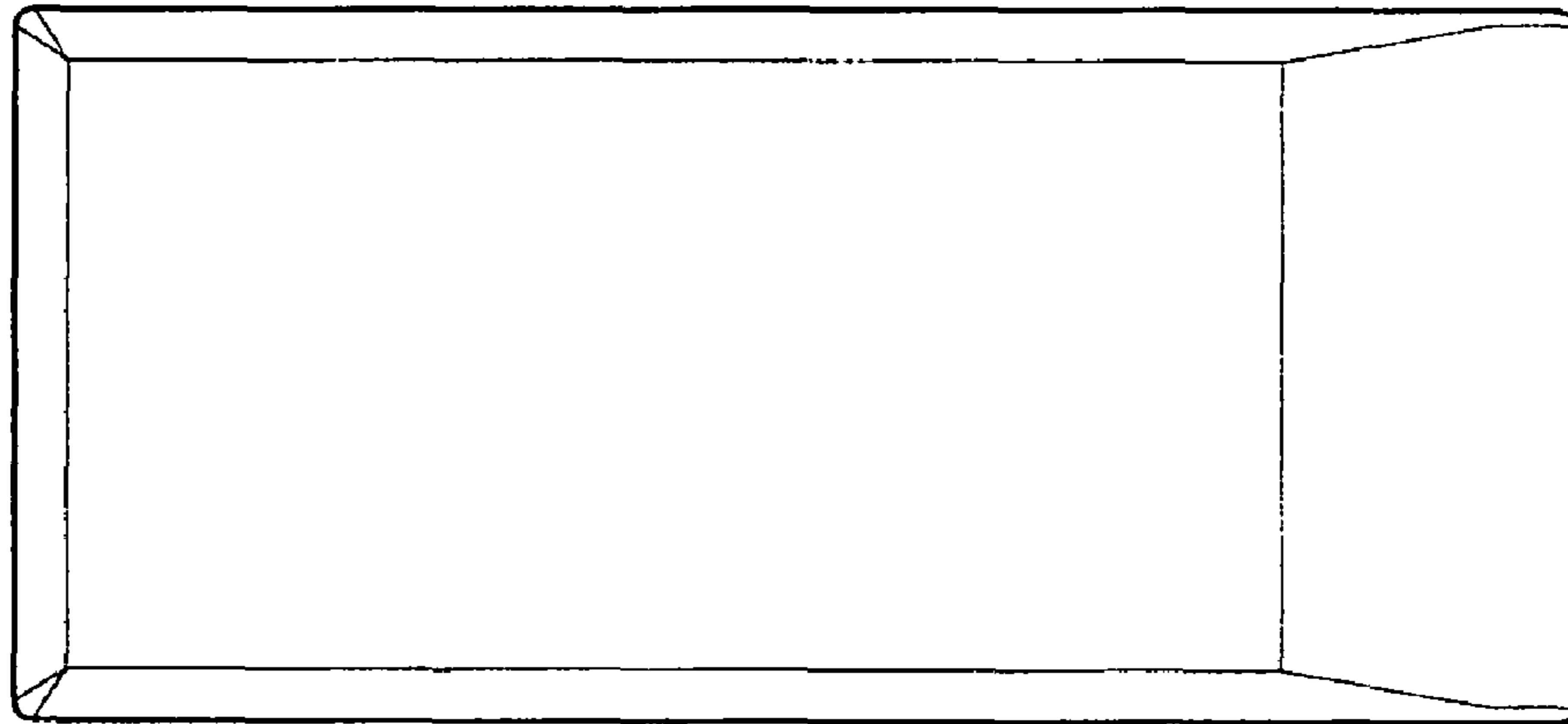


FIG. 4

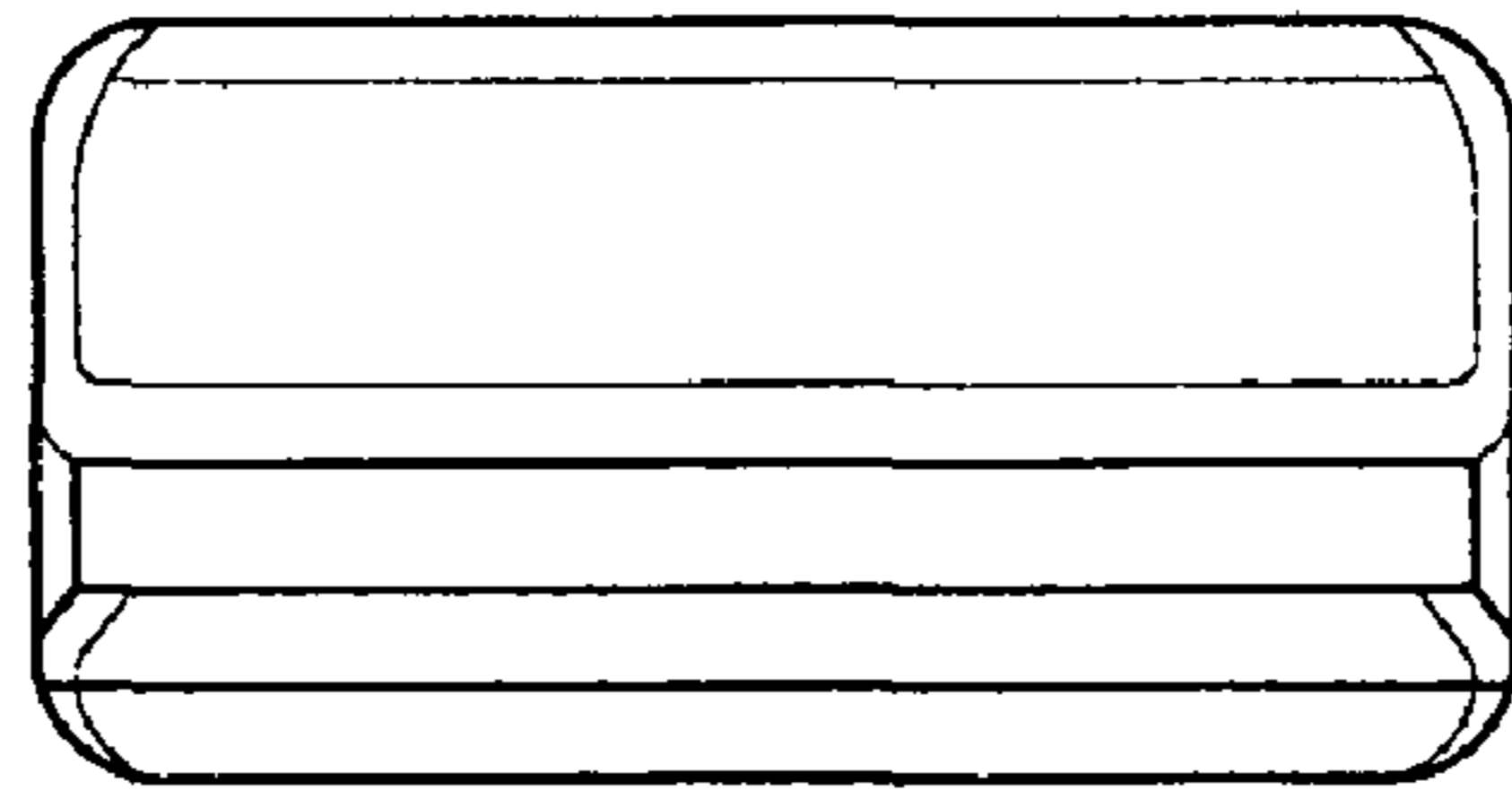


FIG. 5

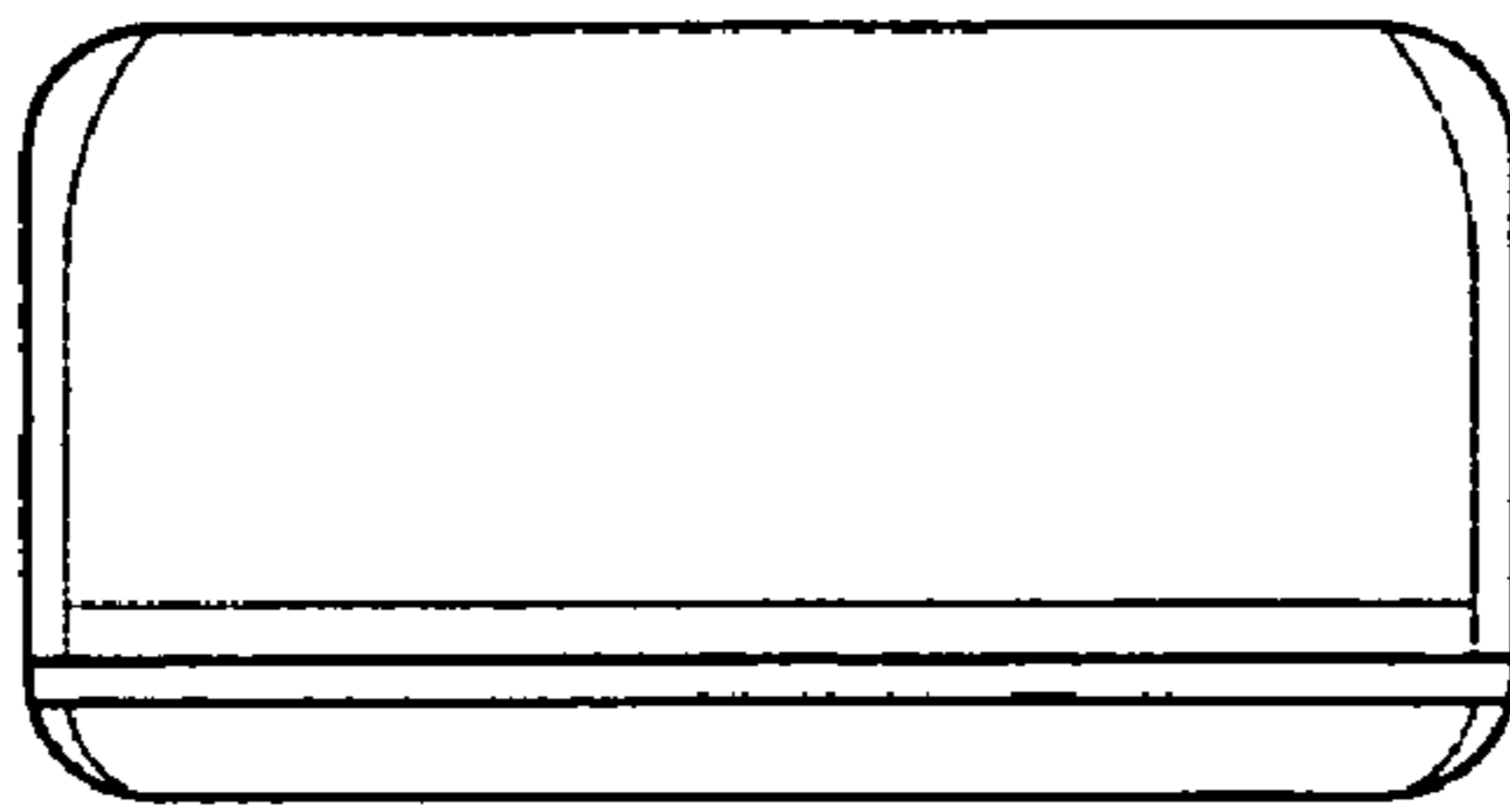


FIG. 6

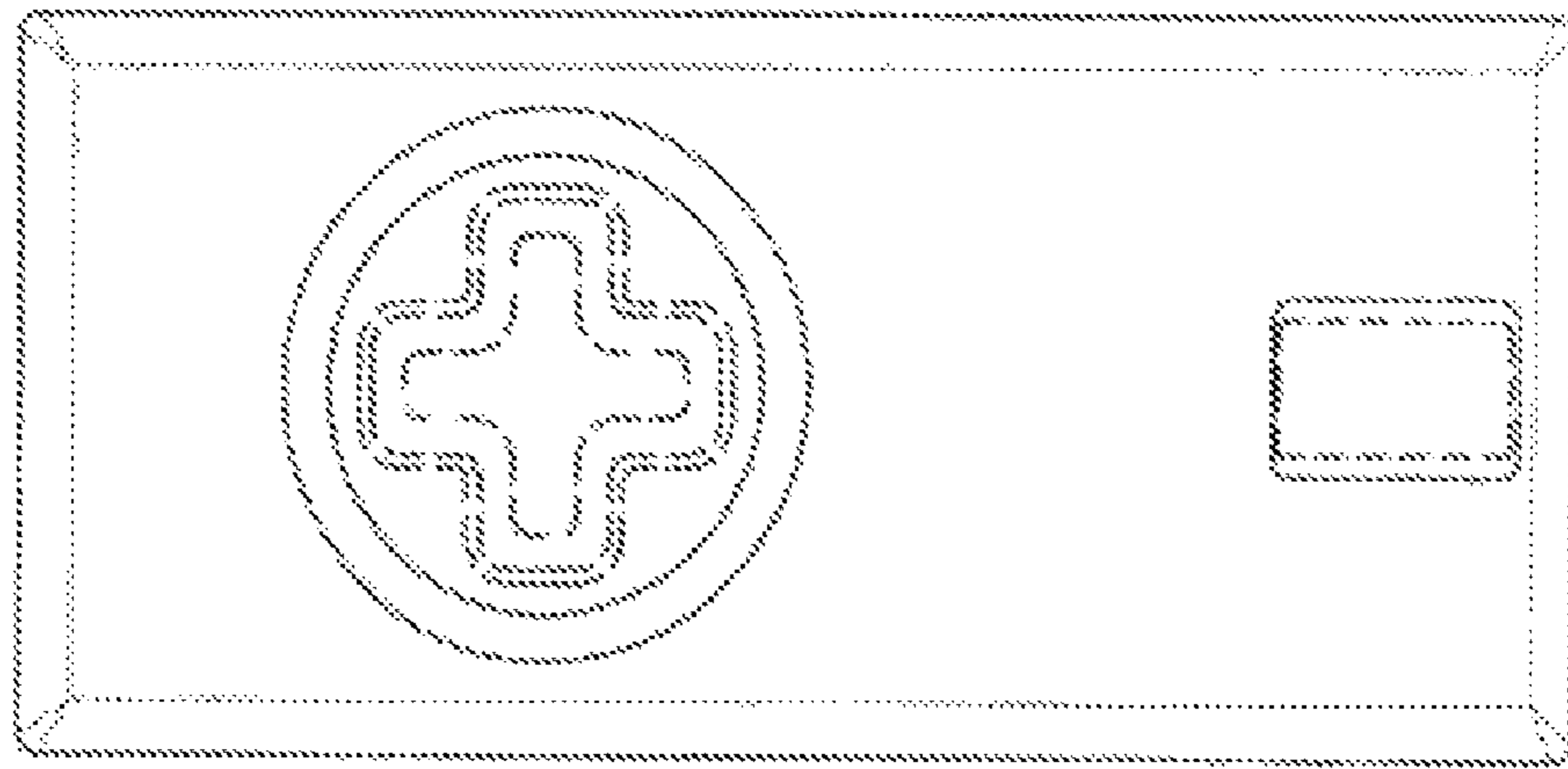


FIG. 7