



US00D613790S

(12) **United States Design Patent**  
**Rizzi**

(10) **Patent No.:** **US D613,790 S**  
(45) **Date of Patent:** **\*\* Apr. 13, 2010**

(54) **EASY-PLAY GUITAR**

D551,695 S \* 9/2007 Gage ..... D17/14

(76) Inventor: **Leonard R. Rizzi**, 106 C Lakes End Dr.,  
Fort Pierce, FL (US) 34982

\* cited by examiner

*Primary Examiner*—Ian Simmons  
*Assistant Examiner*—R. Johnson

(\*\*) Term: **14 Years**

(21) Appl. No.: **29/329,955**

(57) **CLAIM**

(22) Filed: **Dec. 23, 2008**

I claim, the ornamental design for the easy-play guitar, as shown and described.

(51) **LOC (9) Cl.** ..... **17-03**

(52) **U.S. Cl.** ..... **D17/14**

(58) **Field of Classification Search** ..... D17/14,  
D17/18–20; 84/267–269, 290–293; D21/405  
See application file for complete search history.

**DESCRIPTION**

FIG. 1 is a front elevational view of the easy-play guitar showing my new design;

FIG. 2 is a rear elevational view of the easy-play guitar thereof;

FIG. 3 is a left-side elevational view of the easy-play guitar thereof;

FIG. 4 is right side elevational view of the easy-play guitar thereof;

FIG. 5 is a top plan view of the easy-play guitar thereof; and,

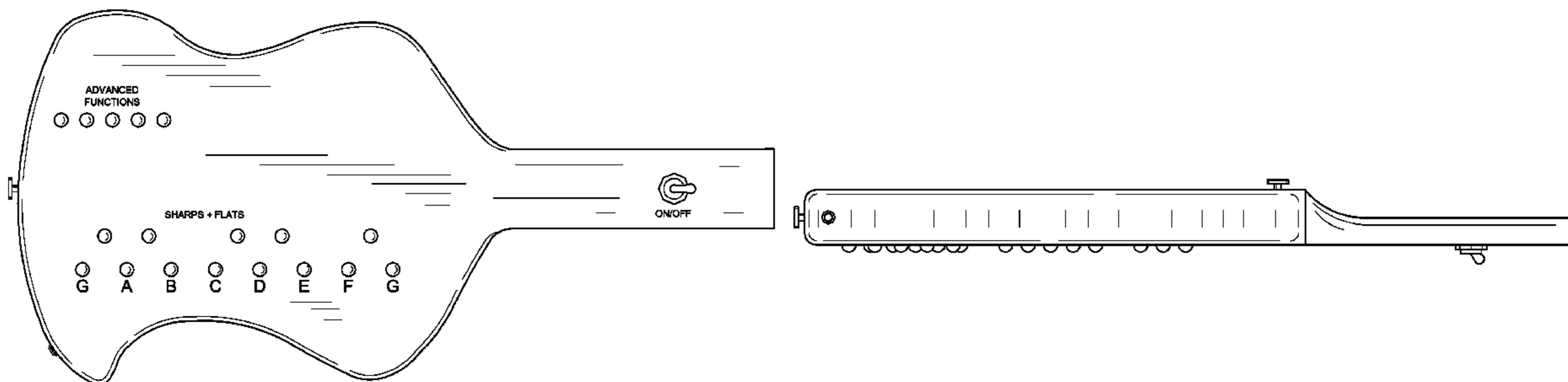
FIG. 6 is a bottom plan view of the easy-play guitar thereof.

(56) **References Cited**

U.S. PATENT DOCUMENTS

2,498,926	A *	2/1950	Mitchell	84/267
3,174,380	A *	3/1965	Cookerly et al.	84/307
3,538,807	A *	11/1970	Louis	84/267
3,831,485	A *	8/1974	Dopera	84/275
4,213,370	A *	7/1980	Jones	84/291
5,763,808	A *	6/1998	Thomson	84/728
6,982,372	B2 *	1/2006	England	84/290

**1 Claim, 4 Drawing Sheets**



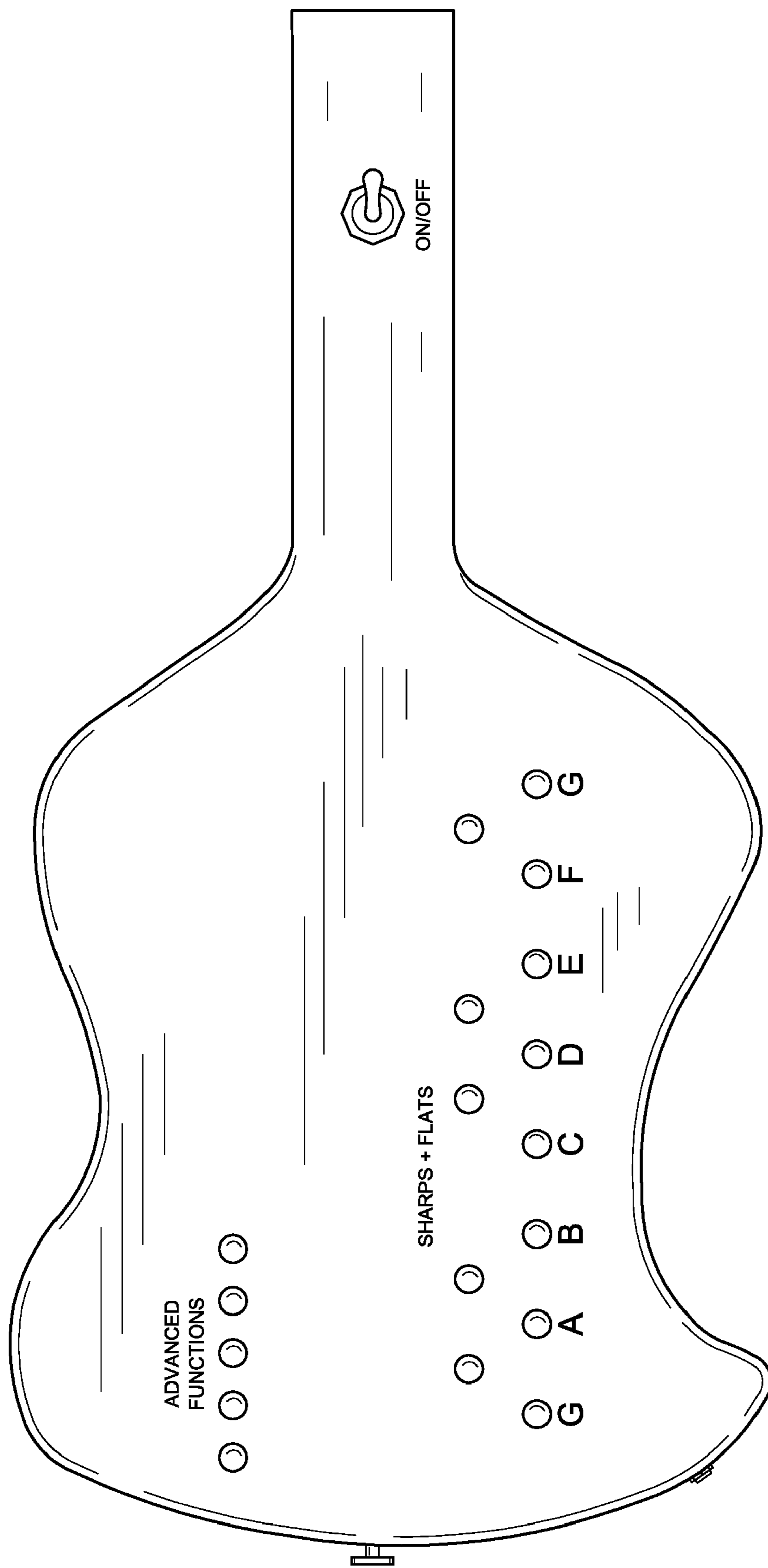


FIG. 1

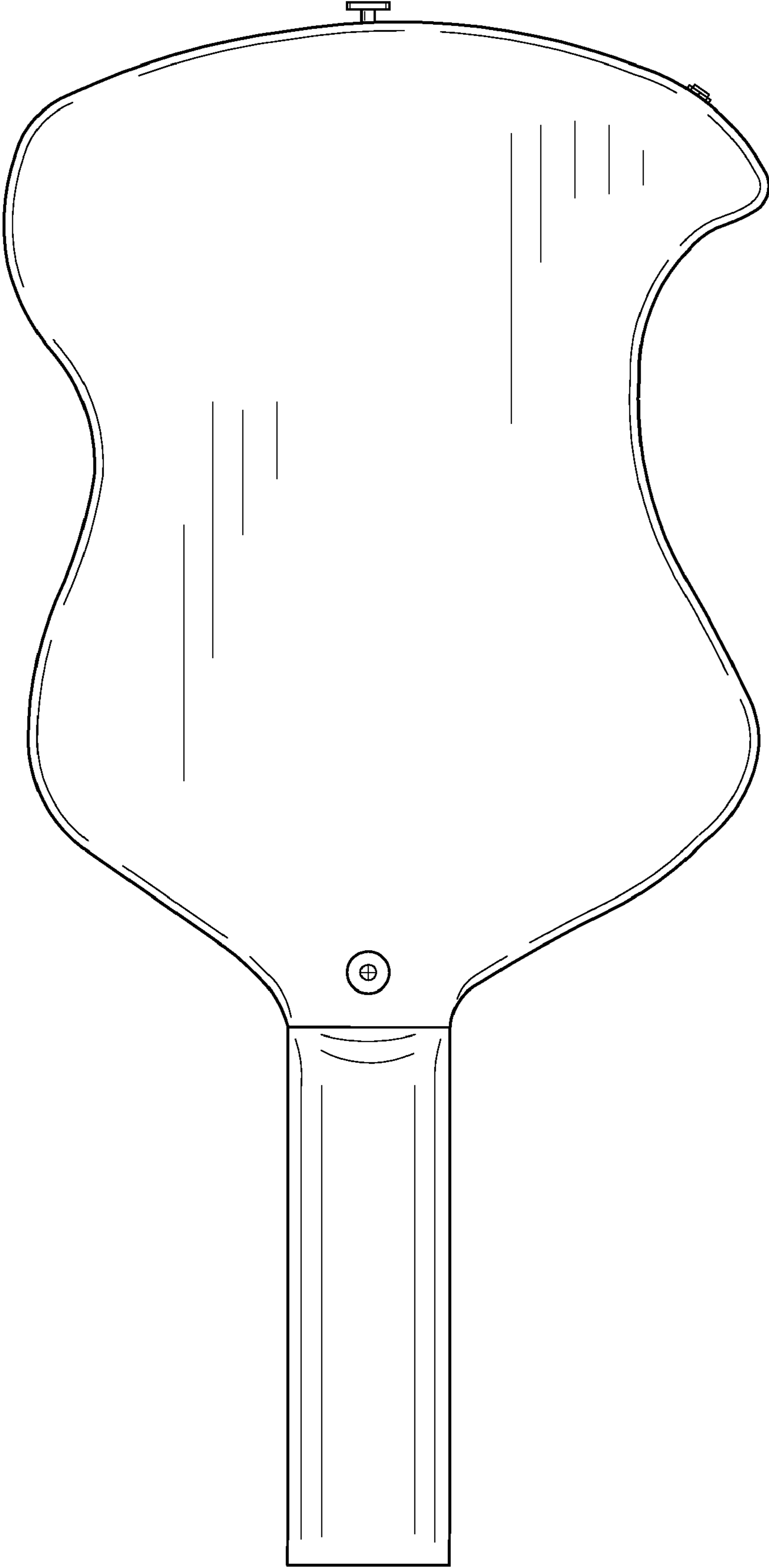


FIG. 2

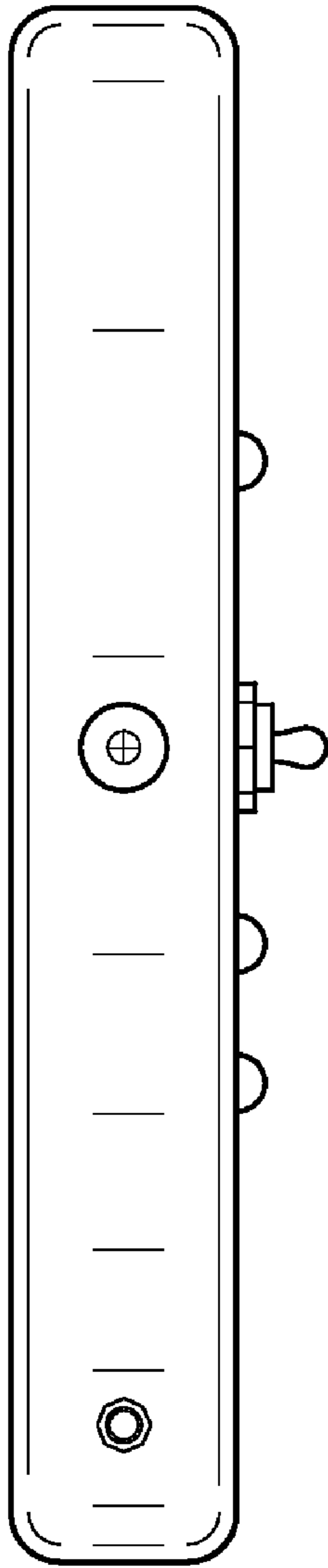


FIG. 3

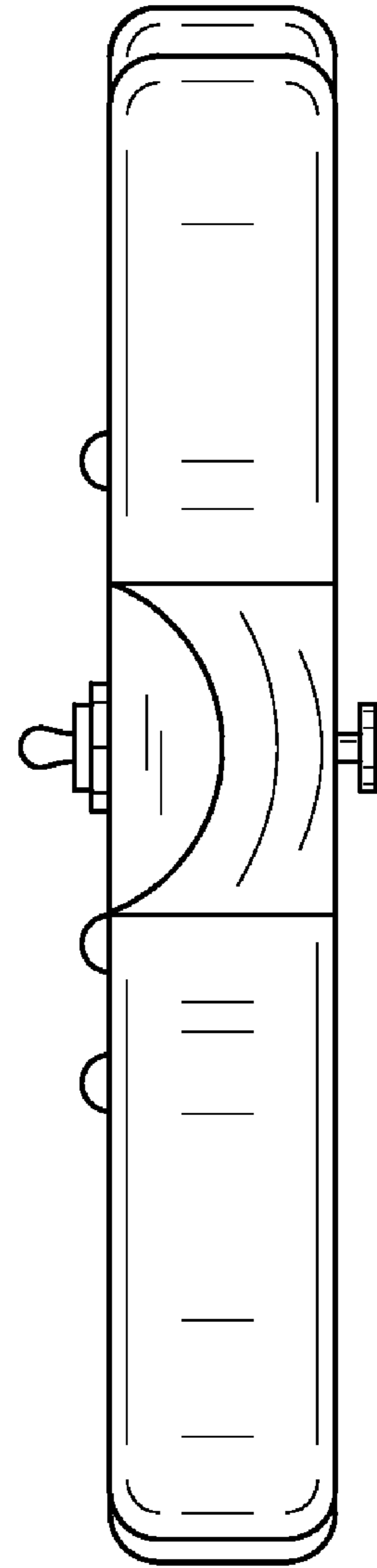


FIG. 4

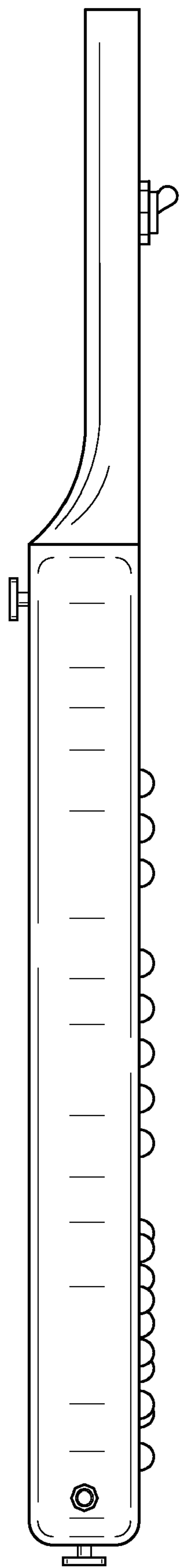


FIG. 5

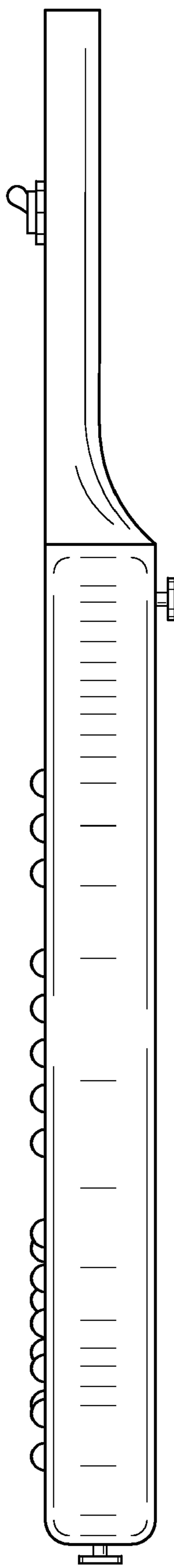


FIG. 6