



US00D613789S

(12) **United States Design Patent**  
**Friedman**

(10) **Patent No.:** **US D613,789 S**  
(45) **Date of Patent:** **\*\* Apr. 13, 2010**

(54) **CLIP FOR CLIP-ON SUNGLASSES**

(75) Inventor: **Sidney Friedman**, Oceanside, NY (US)

(73) Assignee: **Opsales, Inc.**, Island Park, NY (US)

(\*\*) Term: **14 Years**

(21) Appl. No.: **29/301,528**

(22) Filed: **Mar. 5, 2008**

(51) **LOC (9) Cl.** ..... **16-06**

(52) **U.S. Cl.** ..... **D16/330**

(58) **Field of Classification Search** ..... D16/101,  
D16/300-342, 900; D29/109, 110; D24/110.2;  
351/41-158; 2/426-432, 447-449, 441,  
2/434-437, 13, 15, 247, 248; D21/483, 659-661  
See application file for complete search history.

(56) **References Cited**

**U.S. PATENT DOCUMENTS**

|               |         |              |         |
|---------------|---------|--------------|---------|
| 3,010,107 A   | 11/1961 | Linblom      |         |
| 3,147,488 A   | 9/1964  | Maxson       |         |
| 3,575,497 A   | 4/1971  | LeBlanc      |         |
| 3,876,295 A   | 4/1975  | Loughner     |         |
| 4,451,127 A   | 5/1984  | Moffitt, Jr. |         |
| D301,250 S    | 5/1989  | Stephens     |         |
| 5,164,749 A   | 11/1992 | Shelton      |         |
| D336,308 S *  | 6/1993  | Shelton      | D16/330 |
| 5,258,786 A * | 11/1993 | Penrod       | 351/47  |
| D345,367 S *  | 3/1994  | Wulf         | D16/316 |
| D350,359 S    | 9/1994  | Friedman     |         |

|                |         |          |         |
|----------------|---------|----------|---------|
| D373,782 S *   | 9/1996  | Shelton  | D16/332 |
| D400,556 S *   | 11/1998 | Friedman | D16/330 |
| D411,854 S *   | 7/1999  | Friedman | D16/330 |
| 6,325,506 B1 * | 12/2001 | Cooper   | 351/47  |
| D480,102 S *   | 9/2003  | Bertieri | D16/330 |

\* cited by examiner

*Primary Examiner*—Robert M Spear

*Assistant Examiner*—Randall H Gholson

(74) *Attorney, Agent, or Firm*—Robert L. Epstein; Epstein Drangel Bazerman & James, LLP

(57) **CLAIM**

The ornamental design for a clip for clip-on sunglasses, substantially as shown and described.

**DESCRIPTION**

FIG. 1 is a perspective view showing the clip for clip-on sunglasses shown in dot and dash;

FIG. 2 is a perspective view showing the clip of my invention;

FIG. 3 is an elevation view of one side of my invention, the other side being the mirror image thereof;

FIG. 4 is an elevation view of the front of my invention;

FIG. 5 is an elevation view showing the rear of my invention;

FIG. 6 is an elevation view of the top of my invention; and,

FIG. 7 is an elevation view of the bottom of my invention.

The sunglass lenses depicted in dot and dash in FIG. 1 do not form part of the claimed design.

**1 Claim, 5 Drawing Sheets**

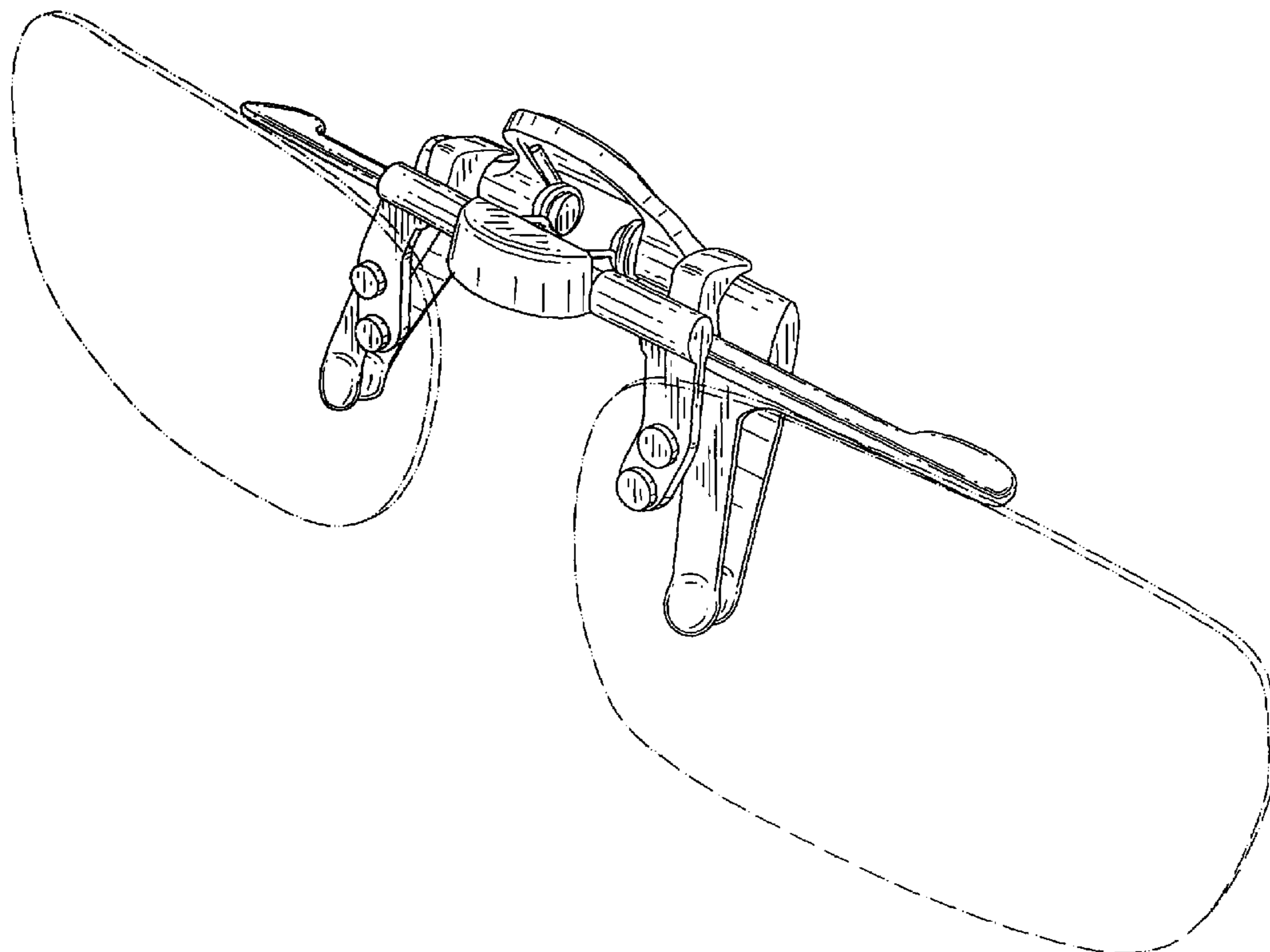


FIG. 1

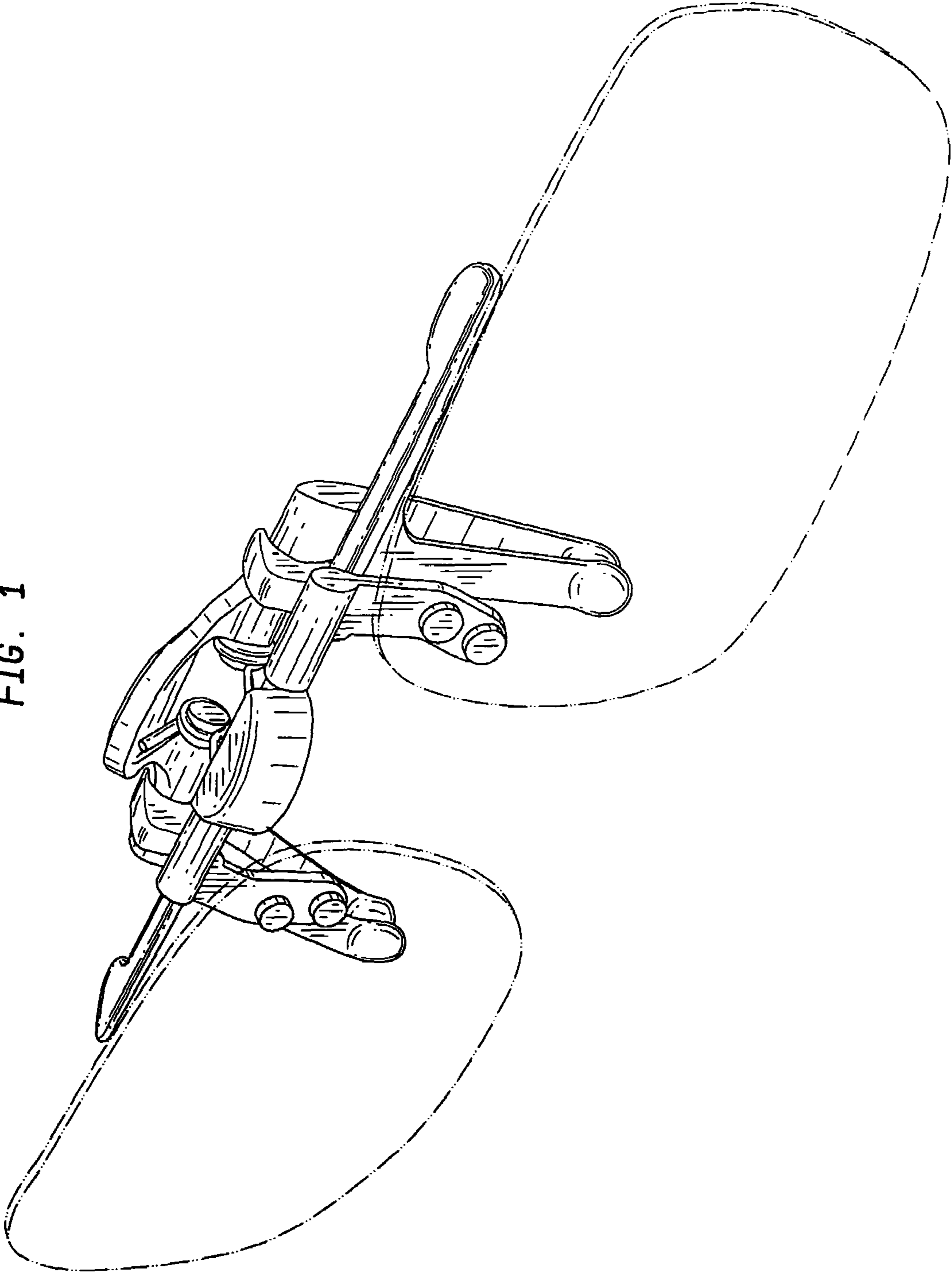


FIG. 2

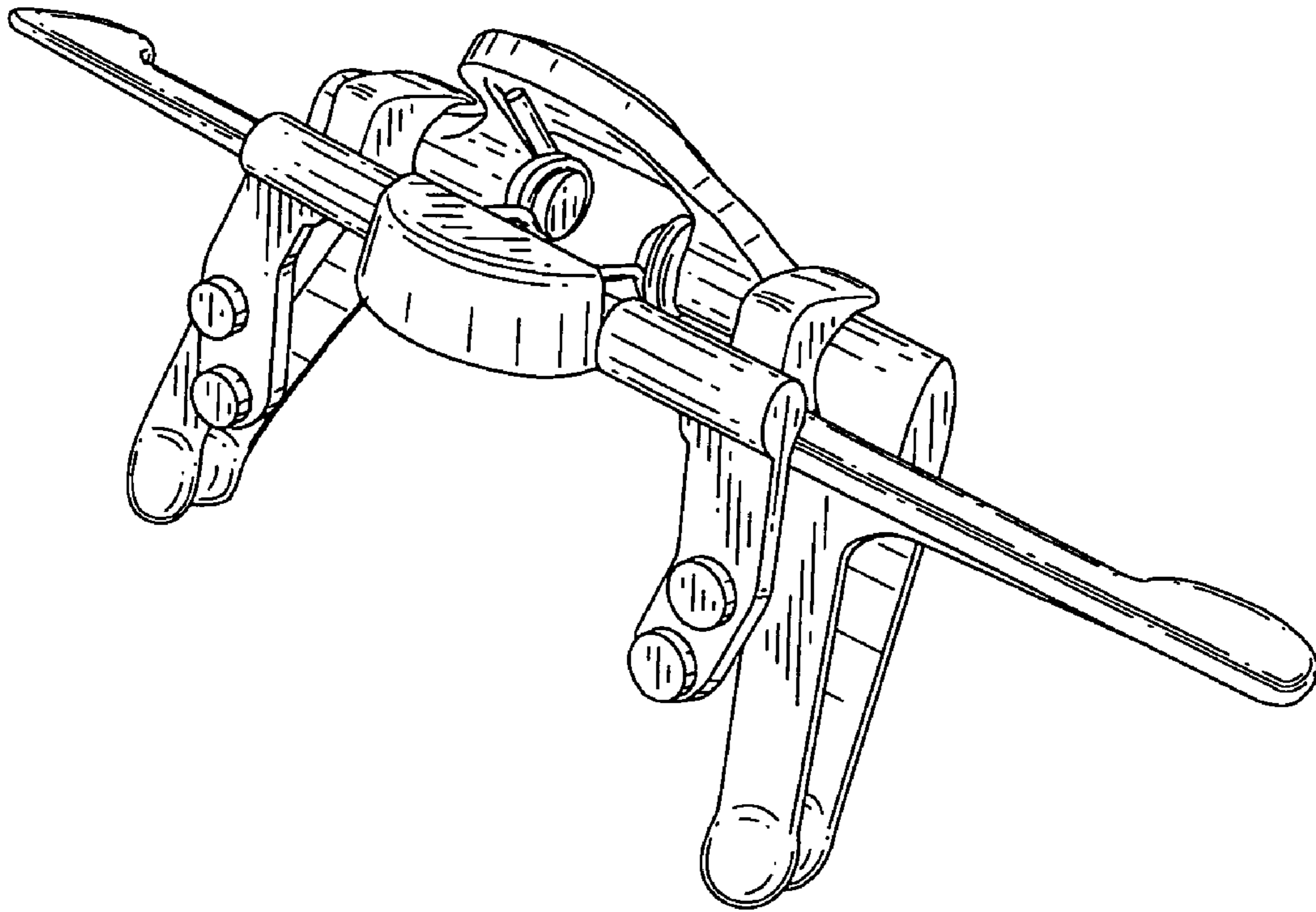


FIG. 3

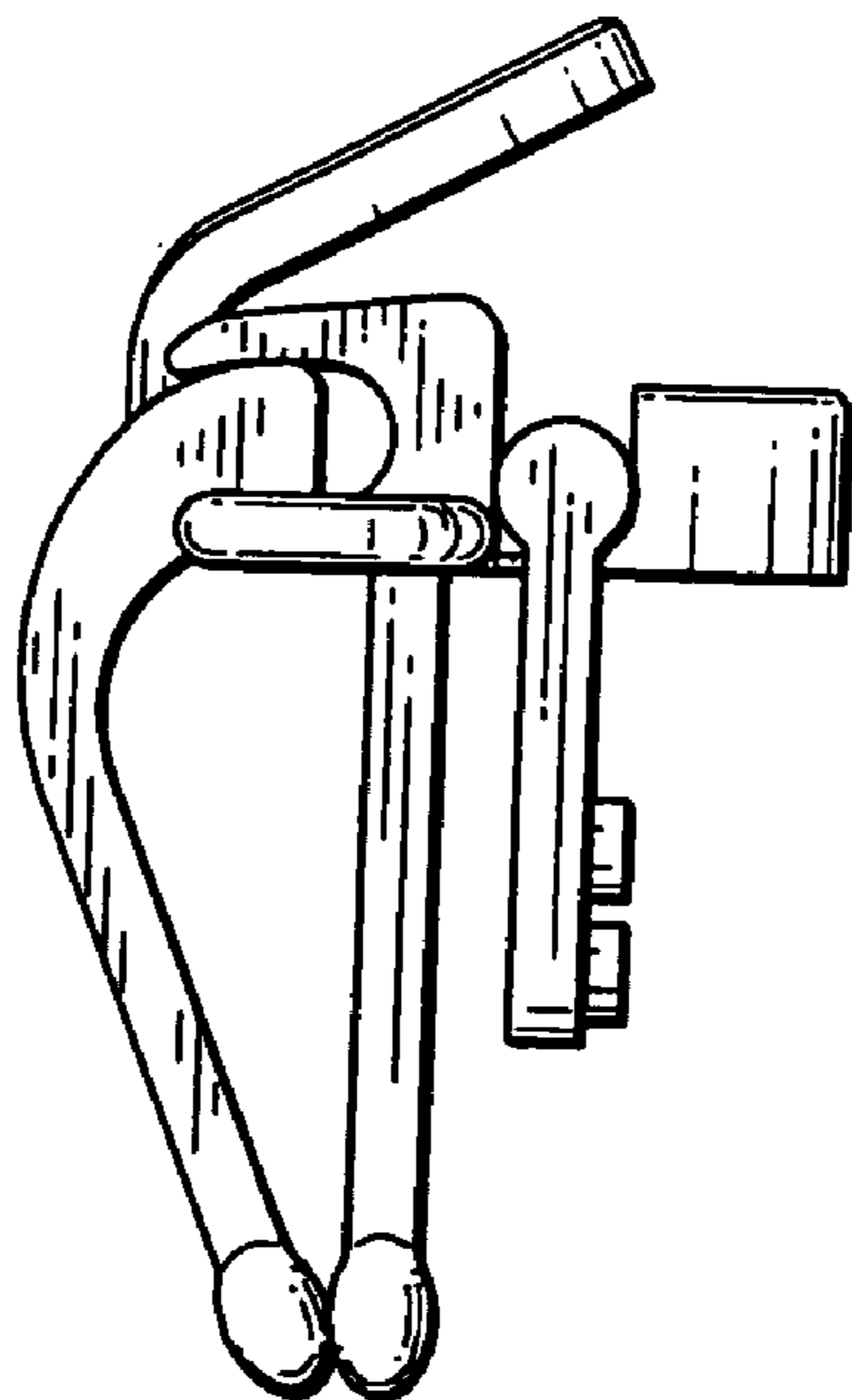


FIG. 4

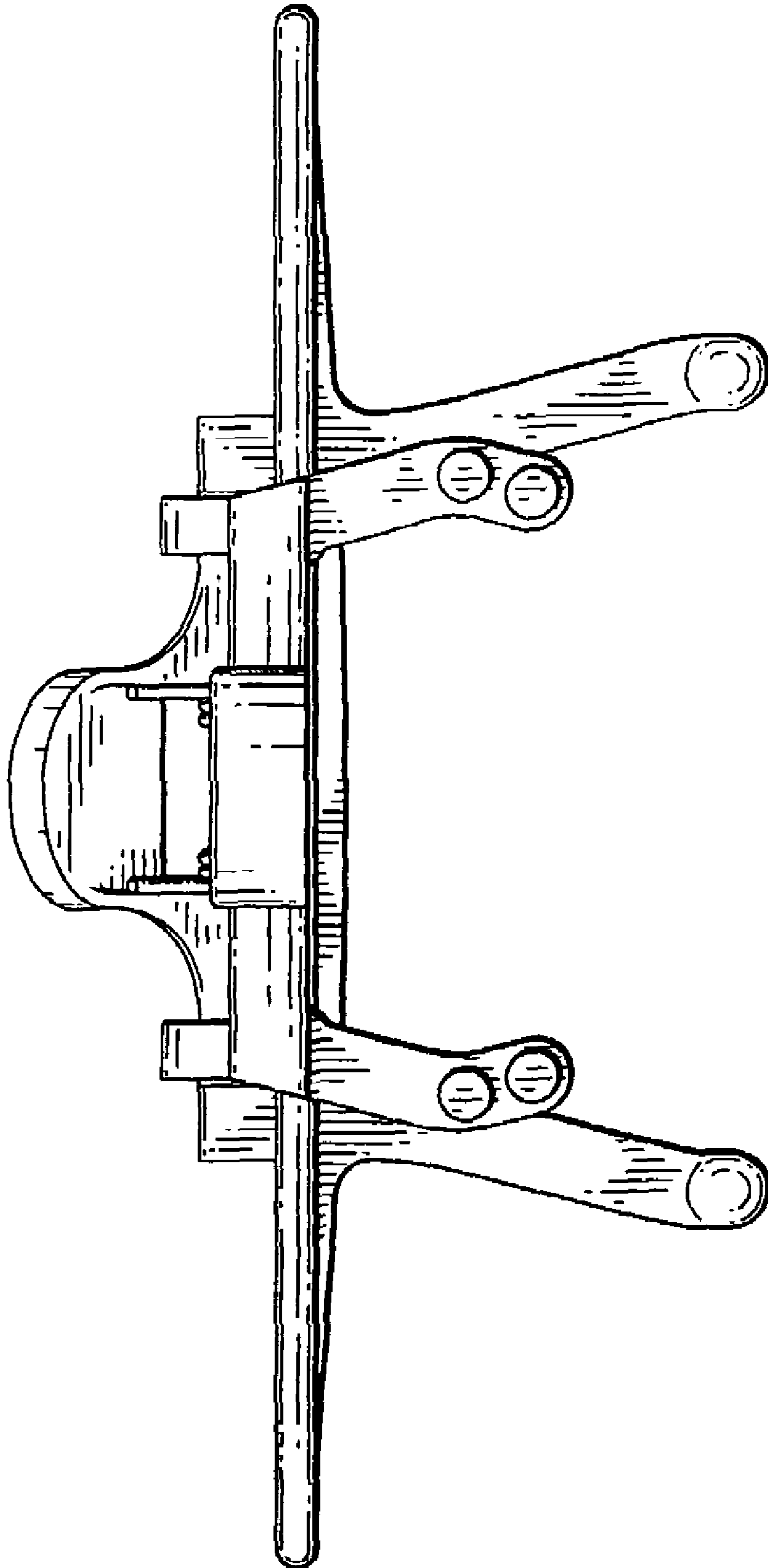


FIG. 5

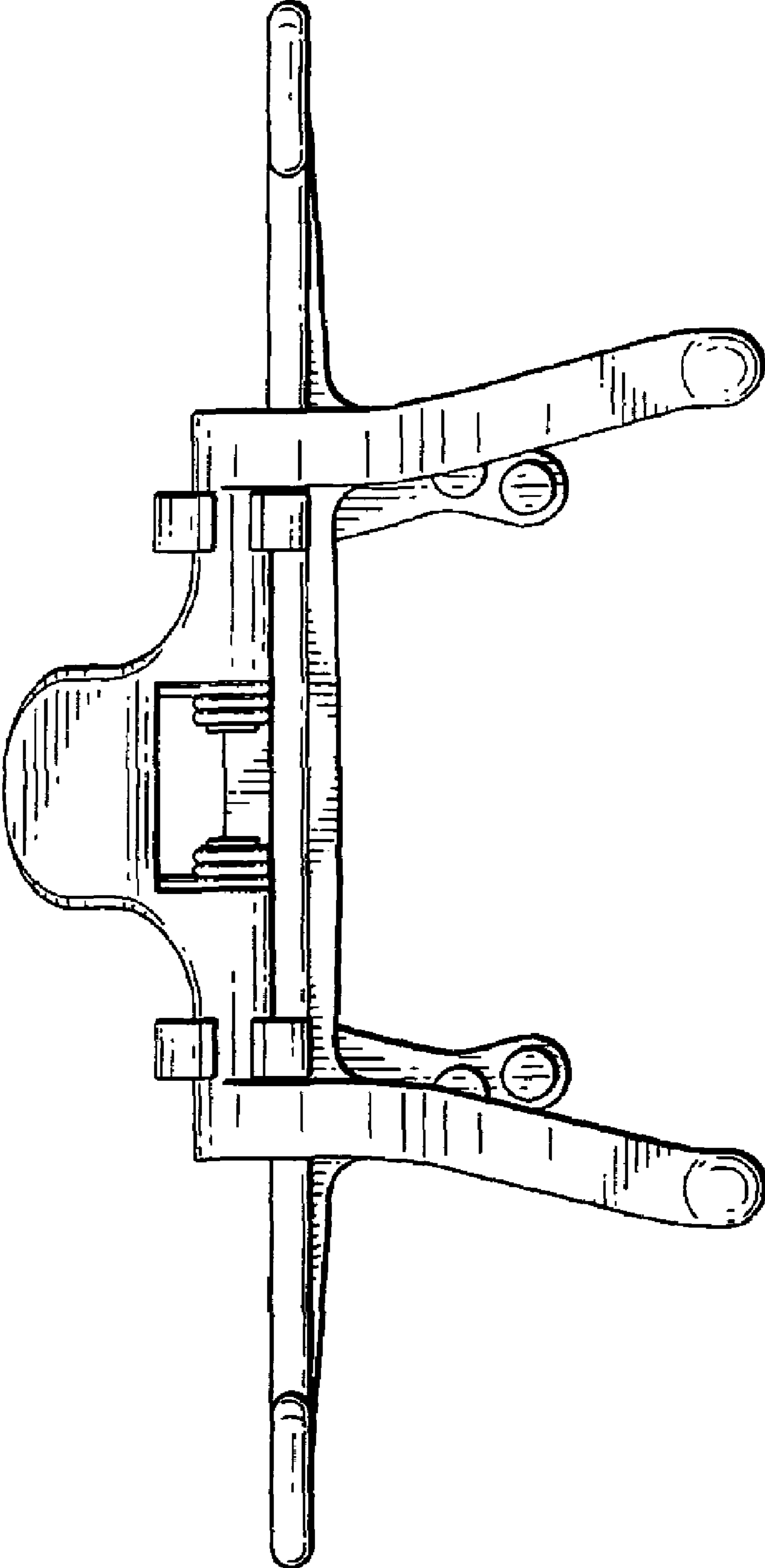


FIG. 6

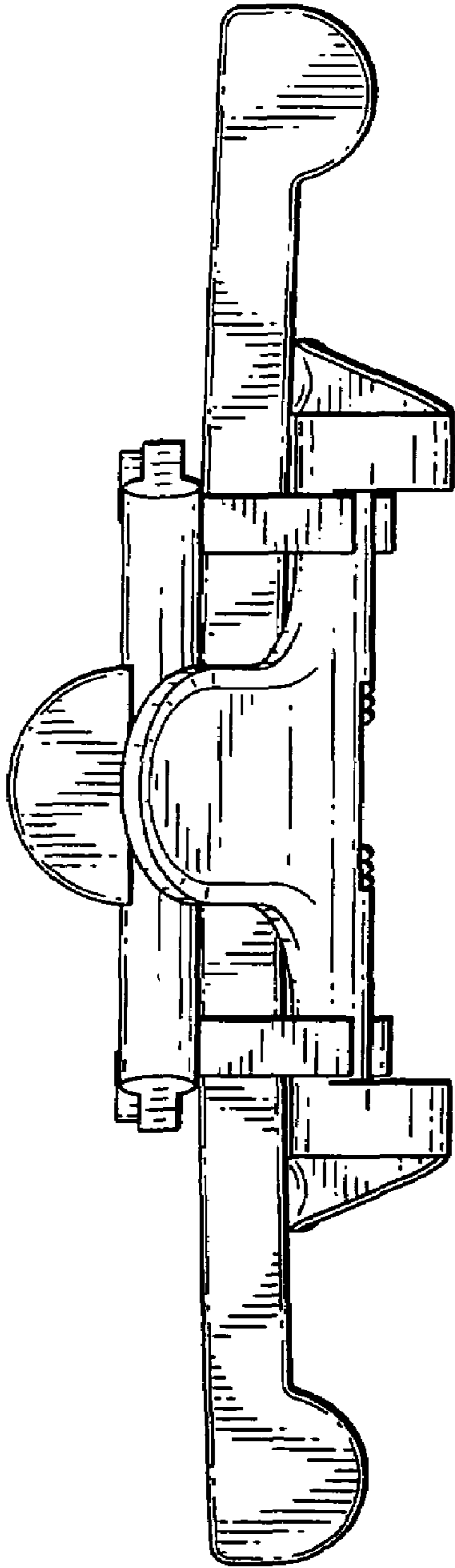


FIG. 7

