



US00D613784S

(12) **United States Design Patent**
Wang et al.

(10) **Patent No.:** **US D613,784 S**
(45) **Date of Patent:** **** Apr. 13, 2010**

(54) **NETWORK CAMERA**

(75) Inventors: **Na Wang**, Shenzhen (CN); **Guang-Yao Lee**, Taipei Hsien (TW); **Chao-Chi Chang**, Taipei Hsien (TW); **Yun-Dong Xu**, Shenzhen (CN); **Xue-Cheng Kuang**, Shenzhen (CN)

(73) Assignee: **Hon Hai Precision Industry Co., Ltd.**, Tu-Cheng, Tapei Hsien (TW)

(**) Term: **14 Years**

(21) Appl. No.: **29/342,045**

(22) Filed: **Aug. 18, 2009**

(30) **Foreign Application Priority Data**

Aug. 5, 2009 (CN) 2009 3 0311241

(51) **LOC (9) Cl.** **16-01**

(52) **U.S. Cl.** **D16/203**

(58) **Field of Classification Search** D16/200–205,
D16/208, 218; 348/373–376; 358/906; 396/427,
396/535–541

See application file for complete search history.

(56) **References Cited**

U.S. PATENT DOCUMENTS

D426,844 S * 6/2000 Fujii D16/203
D446,801 S * 8/2001 Adachi et al. D16/203
D470,520 S * 2/2003 Yamakawa et al. D16/203
6,728,480 B1 * 4/2004 Maeda et al. 348/373

D489,744 S * 5/2004 Muto D16/203
D522,035 S * 5/2006 Muto D16/203
D529,063 S * 9/2006 Cheng D16/203
D531,200 S * 10/2006 Taneno et al. D16/203
7,221,402 B2 * 5/2007 Cheng 348/375
D563,448 S * 3/2008 Yamakawa D16/202
D563,450 S * 3/2008 Cheng D16/203
D565,073 S * 3/2008 Jeon D16/203

* cited by examiner

Primary Examiner—Adir Aronovich

(74) *Attorney, Agent, or Firm*—Zhigang Ma

(57) **CLAIM**

The ornamental design for a network camera, as shown and described.

DESCRIPTION

FIG. 1 is a perspective view of a network camera showing our design.

FIG. 2 is a front elevational view thereof.

FIG. 3 is a back elevational view thereof.

FIG. 4 is a left-side, elevational view thereof.

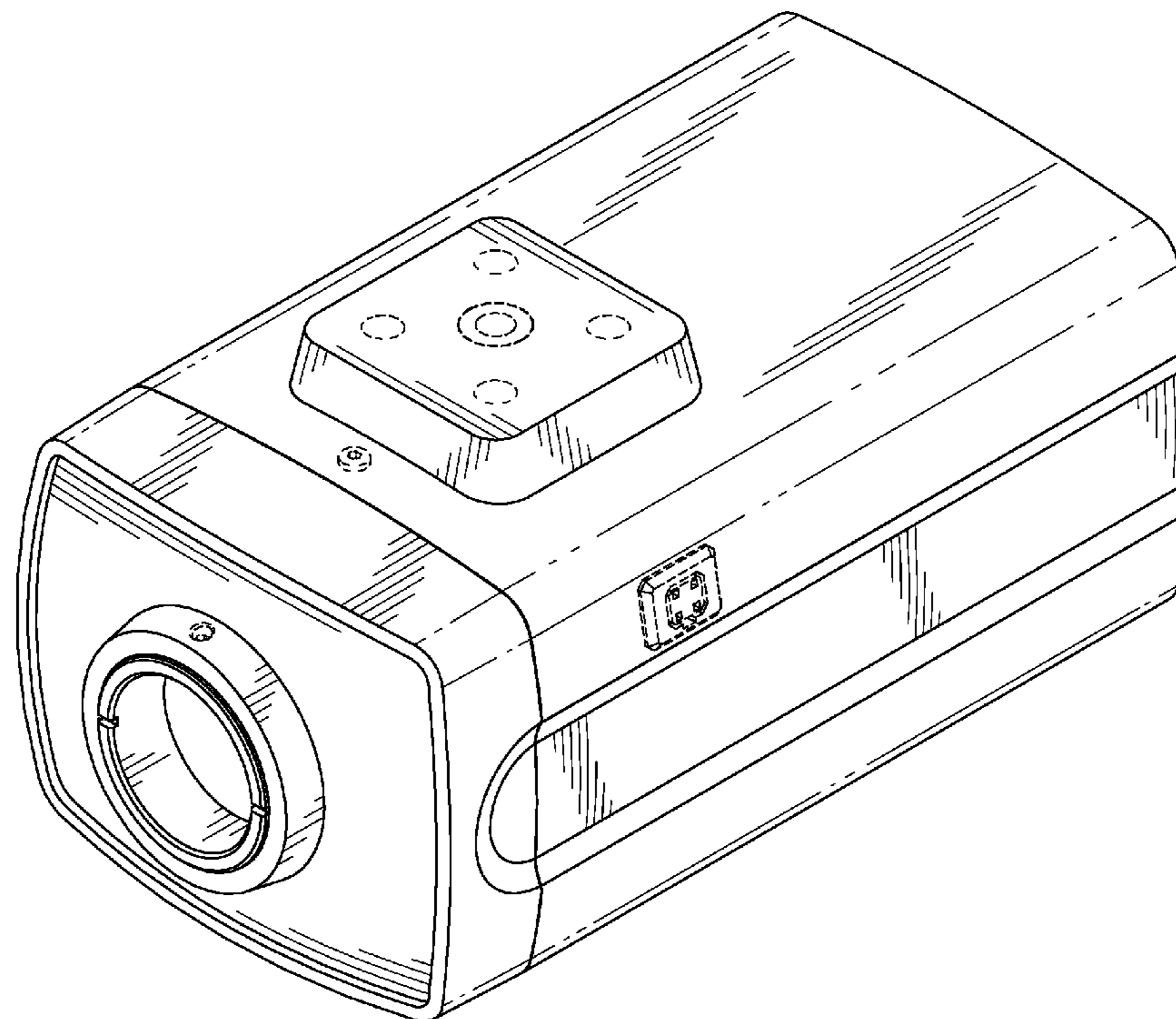
FIG. 5 is a right-side, elevational view thereof

FIG. 6 is a top plan view thereof; and,

FIG. 7 is a bottom plan view thereof.

The broken lines of the figures are for showing environmental features and are not part of the design.

1 Claim, 7 Drawing Sheets



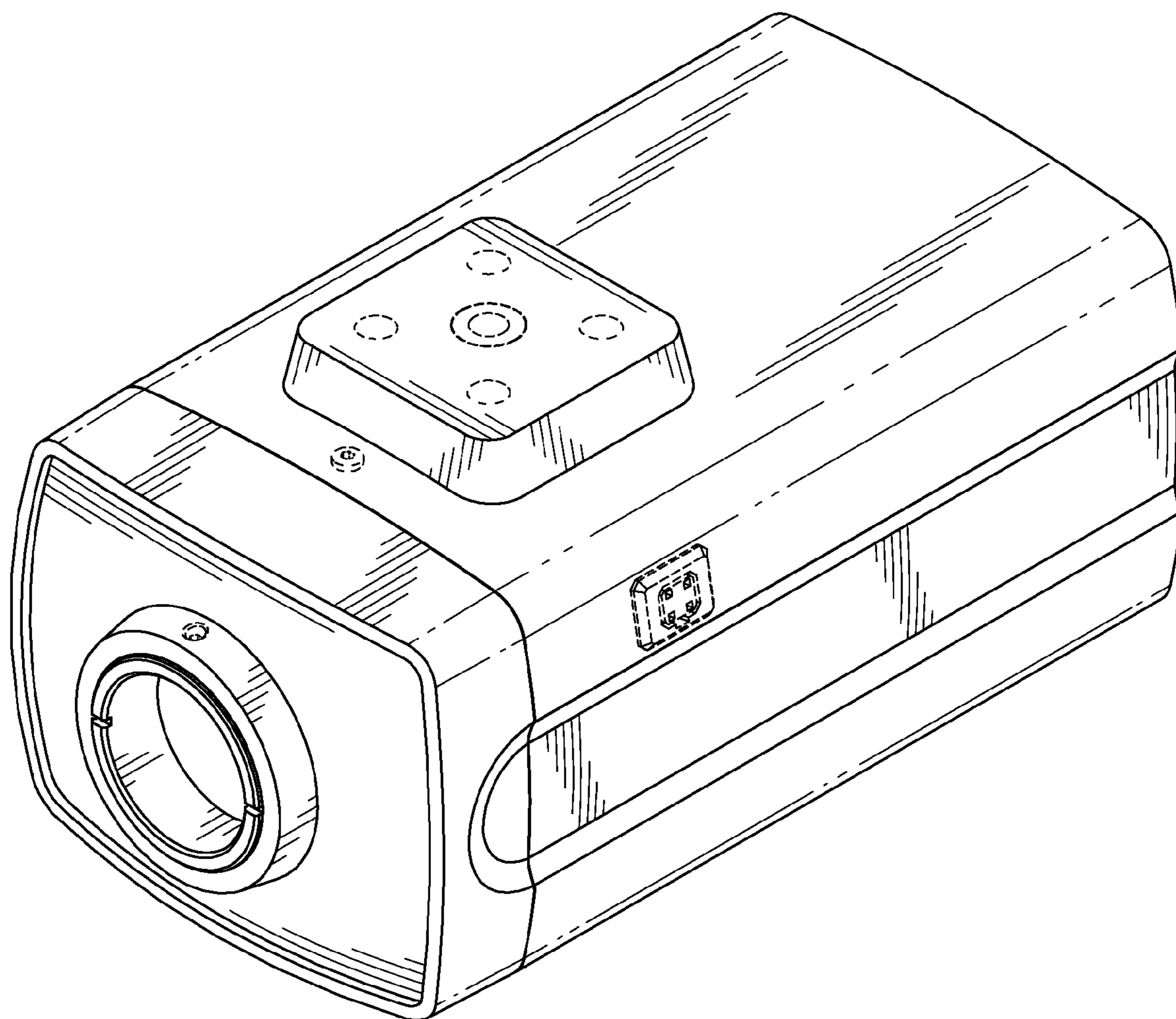


FIG. 1

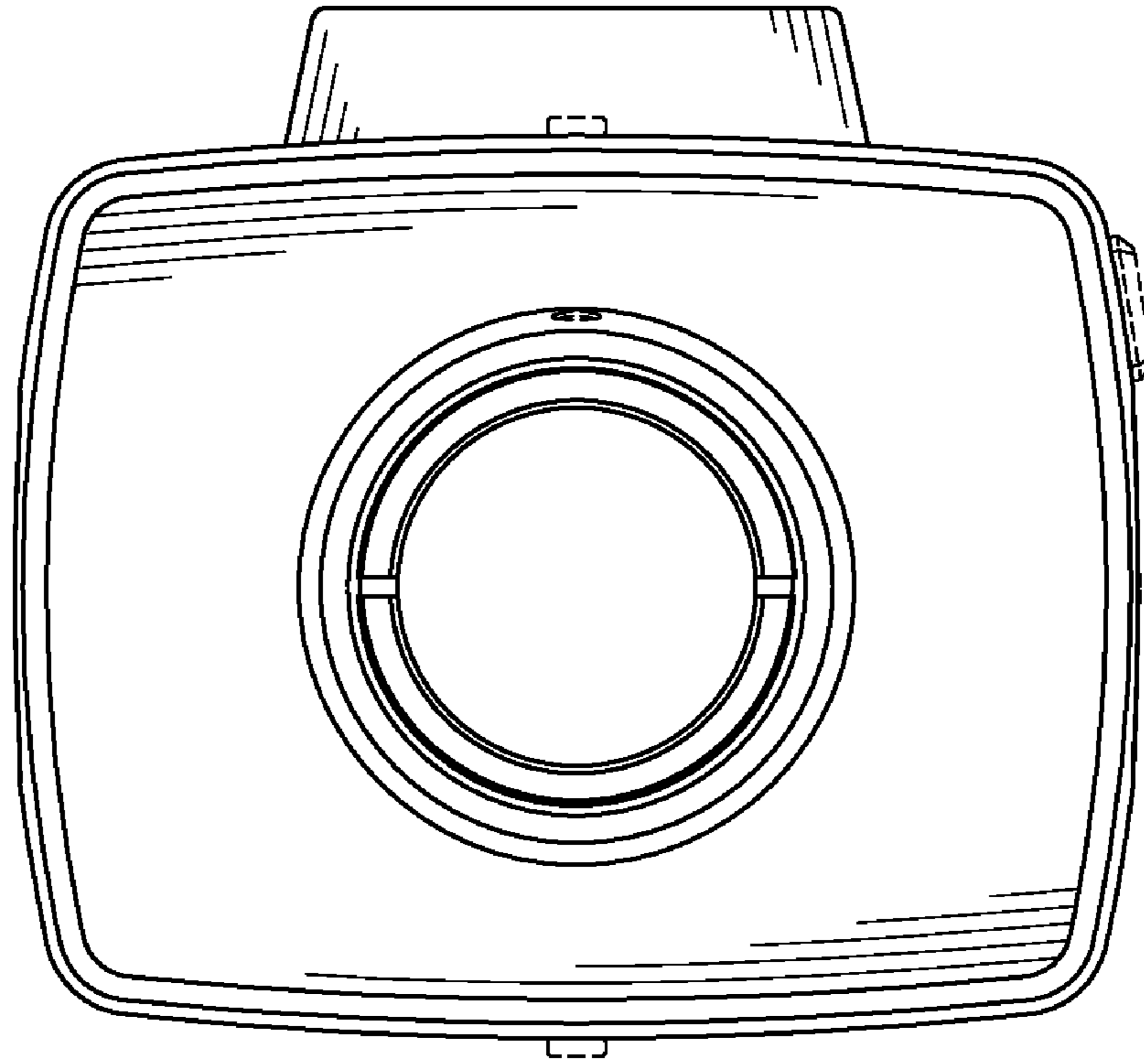


FIG. 2

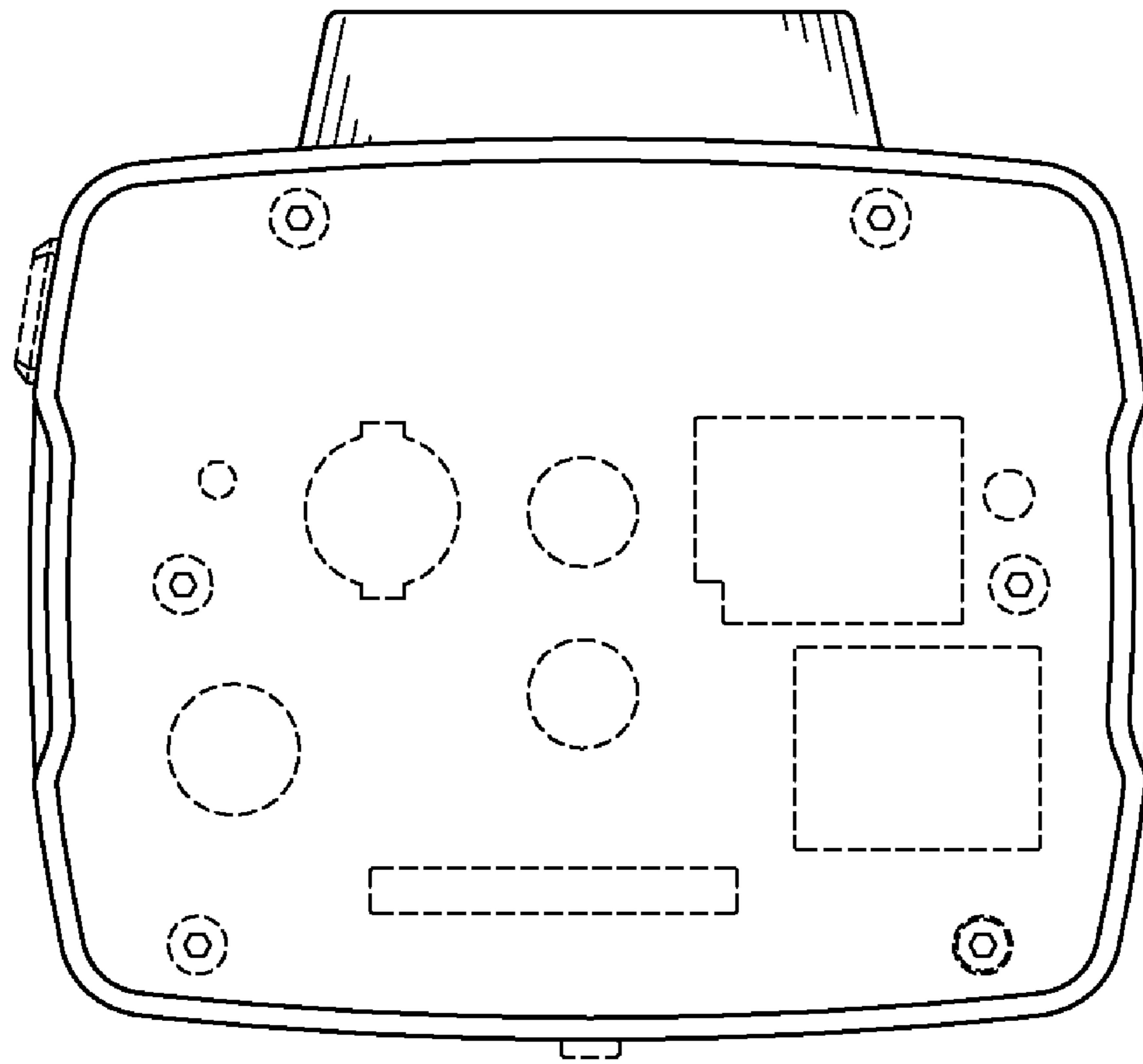


FIG. 3

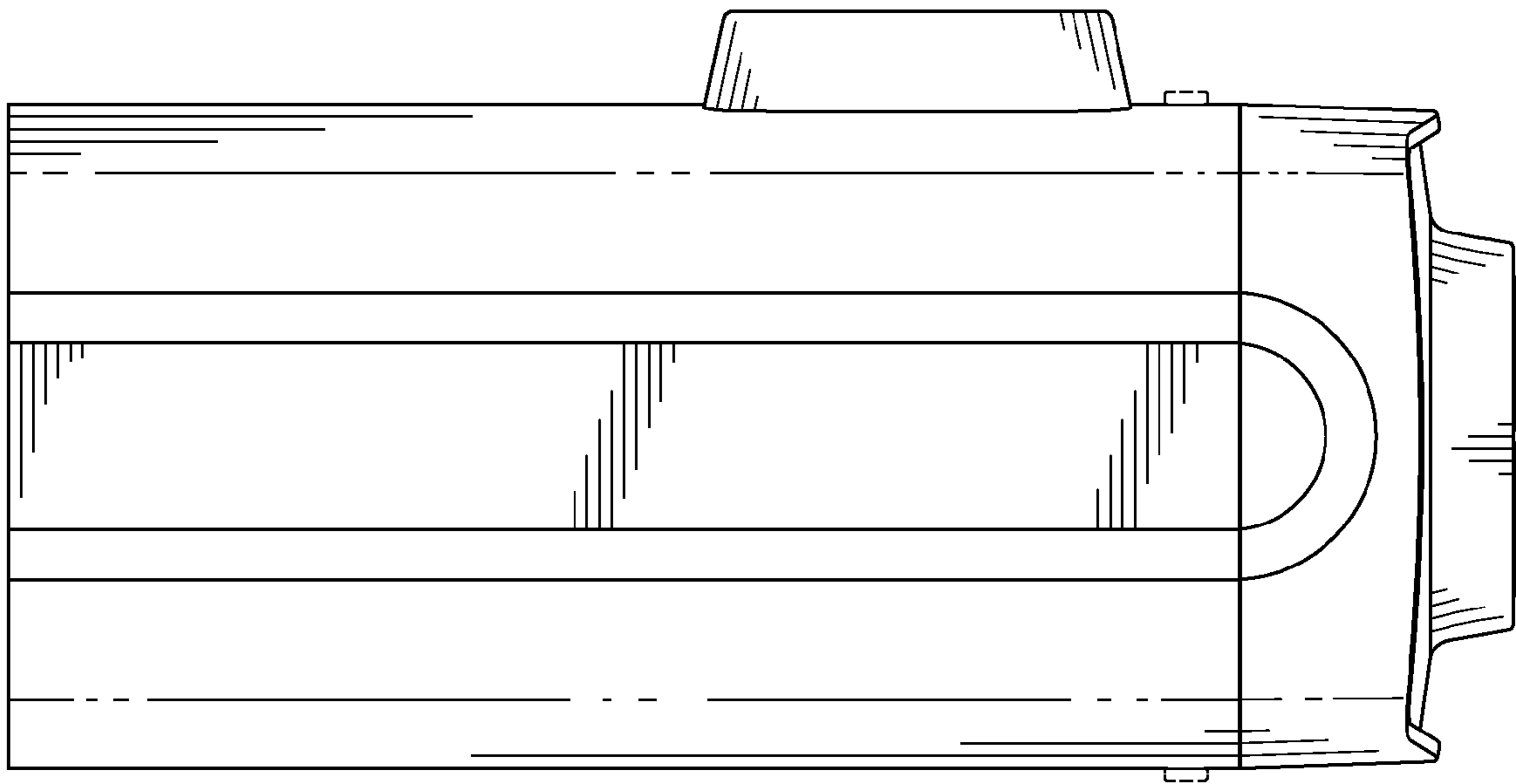


FIG. 4

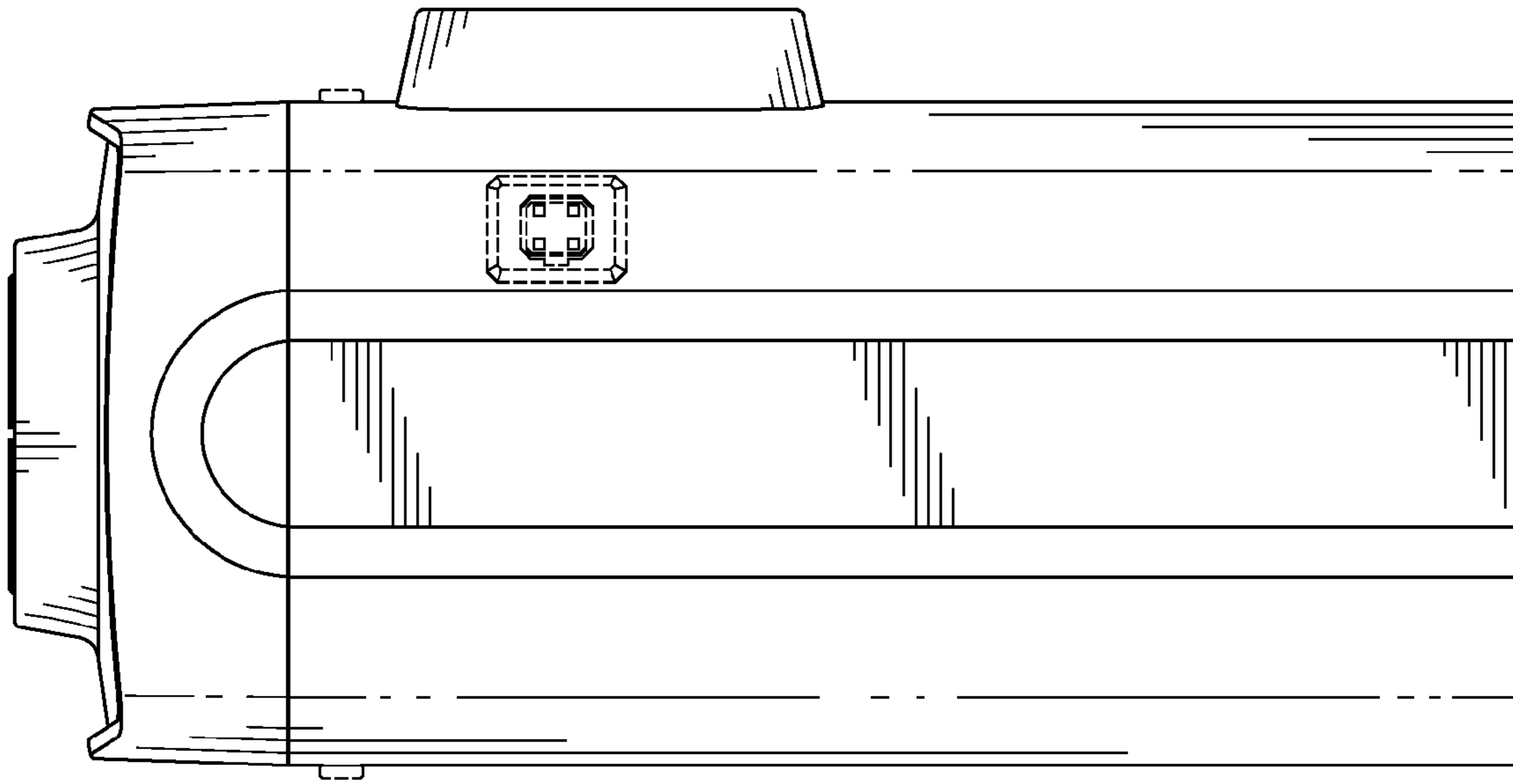


FIG. 5

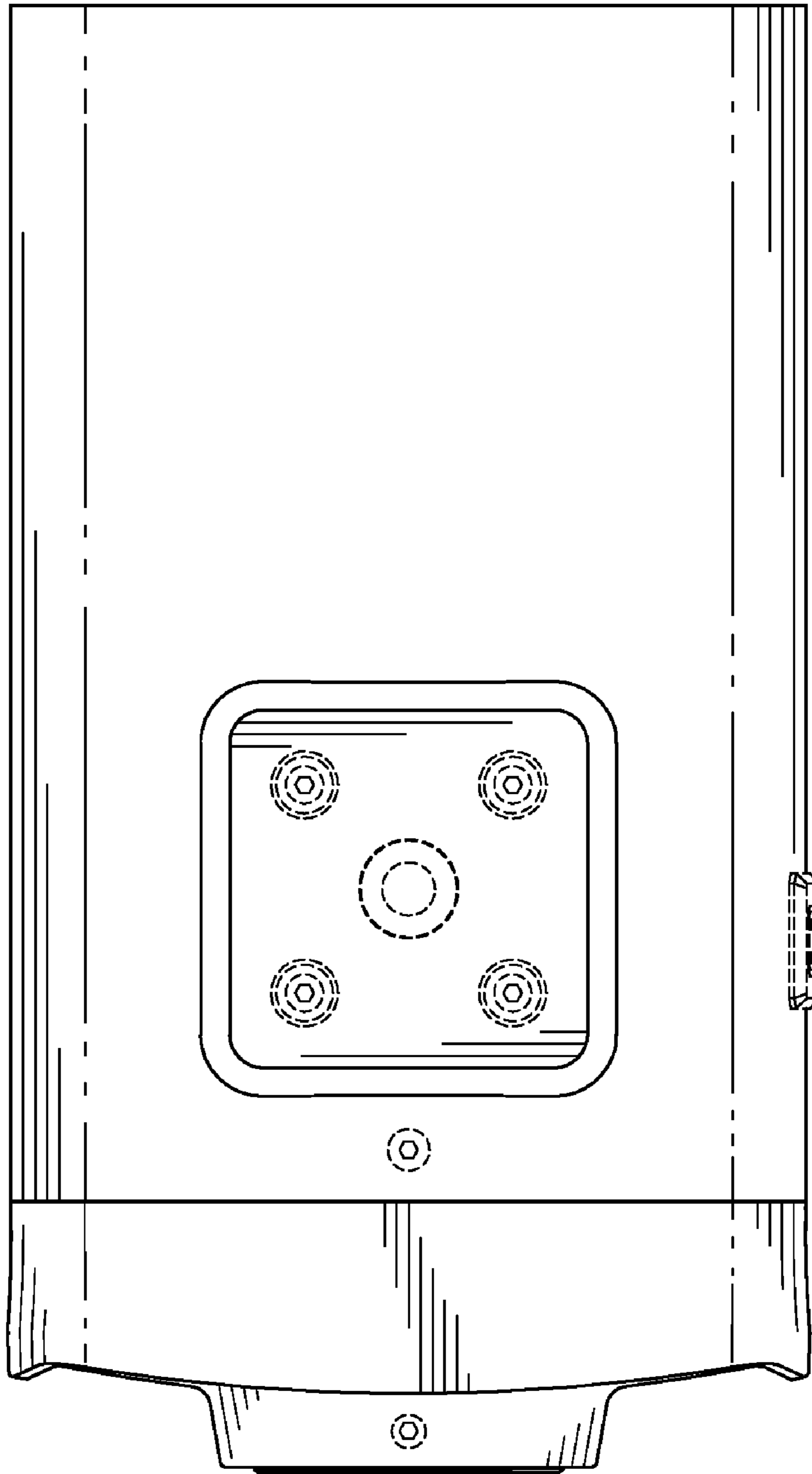


FIG. 6

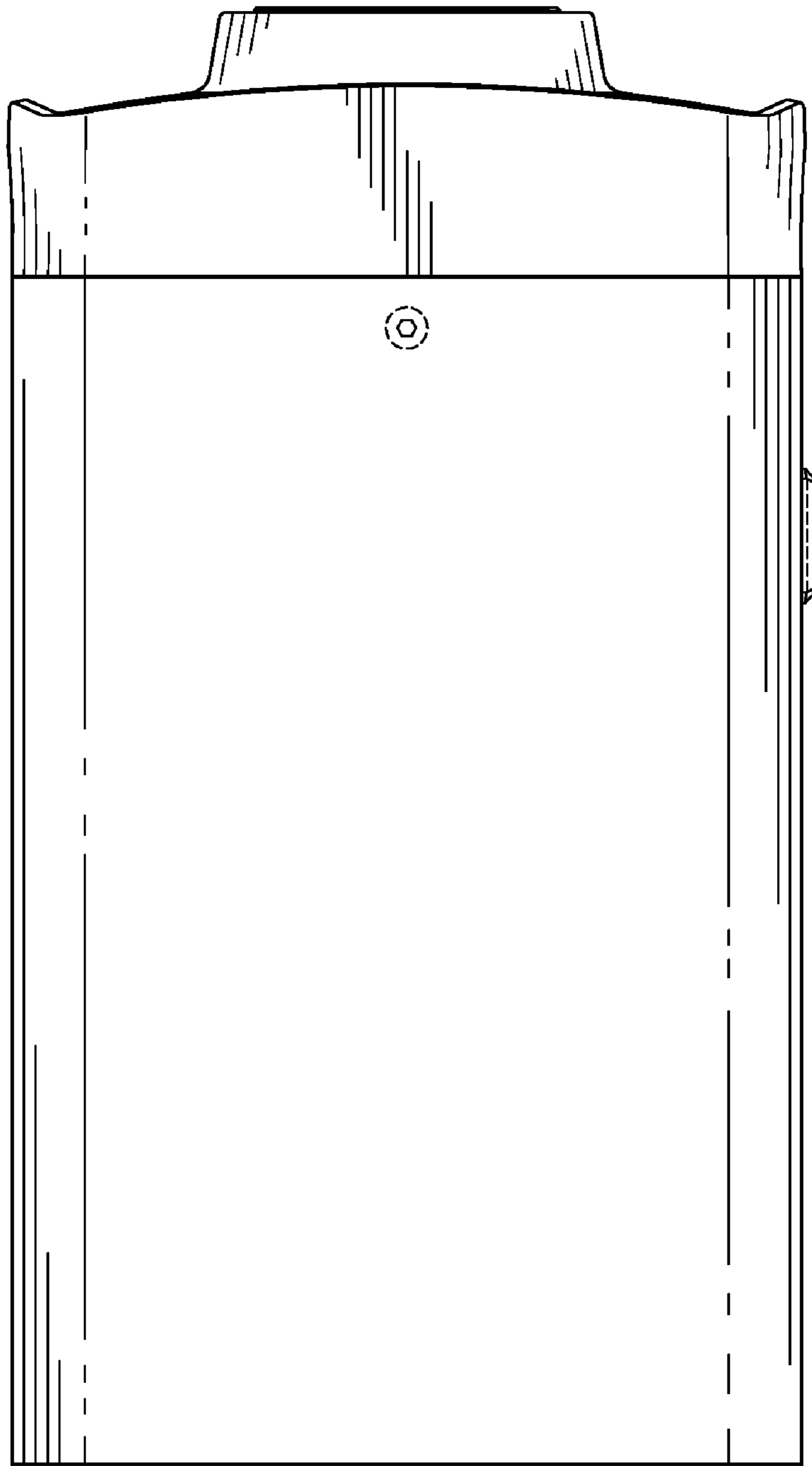


FIG. 7