



US00D613783S

(12) **United States Design Patent**  
**Hansen et al.**

(10) **Patent No.:** **US D613,783 S**  
(45) **Date of Patent:** **\*\* Apr. 13, 2010**

(54) **CAMERA**

(75) Inventors: **Eskild Timme Hansen**, Copenhagen OE (DK); **Jonathon Timothy Lister**, East Yorkshire (GB); **Nicola Girotti**, Copenhagen OE (DK)

(73) Assignee: **Cisco Technology, Inc.**, San Jose, CA (US)

(\*\*) Term: **14 Years**

(21) Appl. No.: **29/339,706**

(22) Filed: **Jul. 6, 2009**

(51) **LOC (9) Cl.** ..... **16-01**

(52) **U.S. Cl.** ..... **D16/203; D16/219**

(58) **Field of Classification Search** ..... D16/200,  
D16/202–206, 208, 218, 219; 348/143, 373–376;  
358/906; 396/427, 535–541

See application file for complete search history.

(56) **References Cited**

**U.S. PATENT DOCUMENTS**

4,394,692	A *	7/1983	Randmae et al. ....	348/374
D277,961	S *	3/1985	Shimizu et al. ....	D16/202
D307,915	S *	5/1990	Kuester, III ....	D16/203
5,631,699	A *	5/1997	Saito ....	348/373
D416,272	S *	11/1999	Adachi ....	D16/203

6,683,654	B1 *	1/2004	Haijima .....	348/374
D528,143	S *	9/2006	Walter et al. ....	D16/203
D544,009	S *	6/2007	Alm et al. ....	D16/203
D556,804	S *	12/2007	Ishida .....	D16/203

\* cited by examiner

*Primary Examiner*—Adir Aronovich

(74) *Attorney, Agent, or Firm*—Haynes and Boone, LLP.

(57) **CLAIM**

The ornamental design for a camera, as shown and described.

**DESCRIPTION**

FIG. 1 is a top, rear and left side perspective view of a camera showing our new design;

FIG. 2 is a top plan view thereof;

FIG. 3 is left side elevational view thereof;

FIG. 4 is right side elevational view thereof;

FIG. 5 is front elevational view thereof;

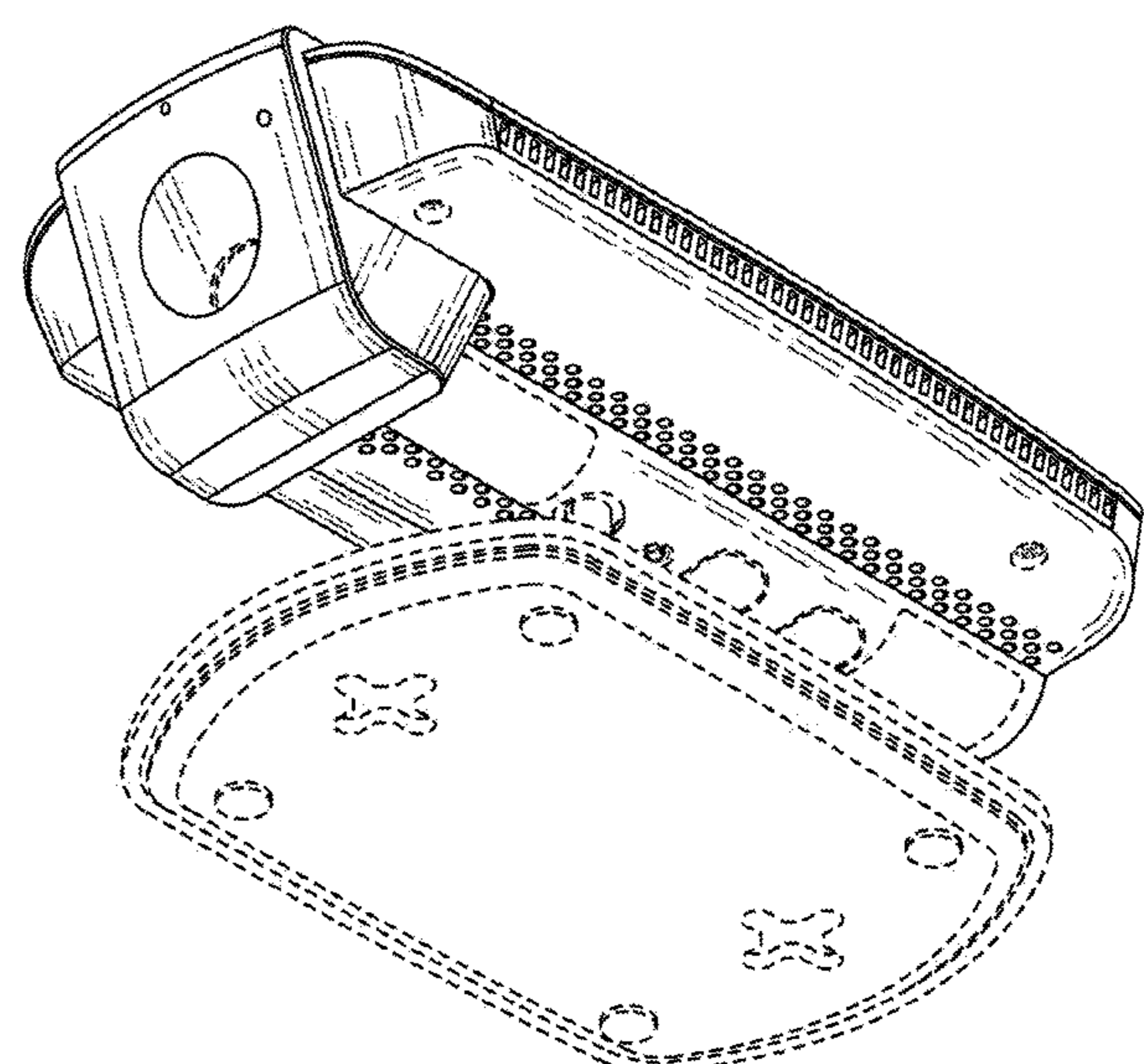
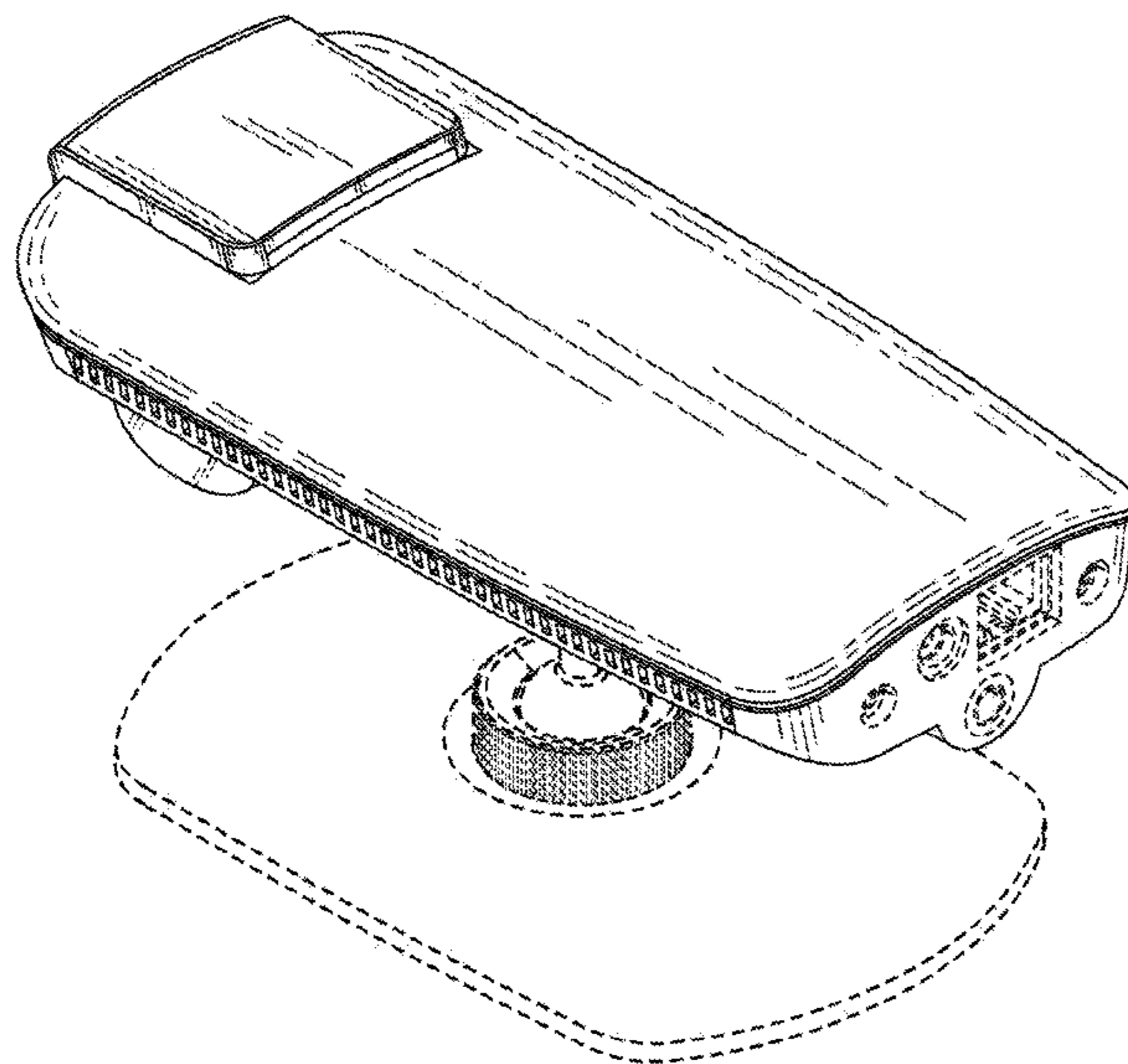
FIG. 6 is rear elevational view thereof;

FIG. 7 is a bottom plan view thereof; and,

FIG. 8 is bottom, front and right side perspective view thereof.

The broken lines shown in the drawings are for illustrative purposes only and form no part of the claimed design.

**1 Claim, 7 Drawing Sheets**



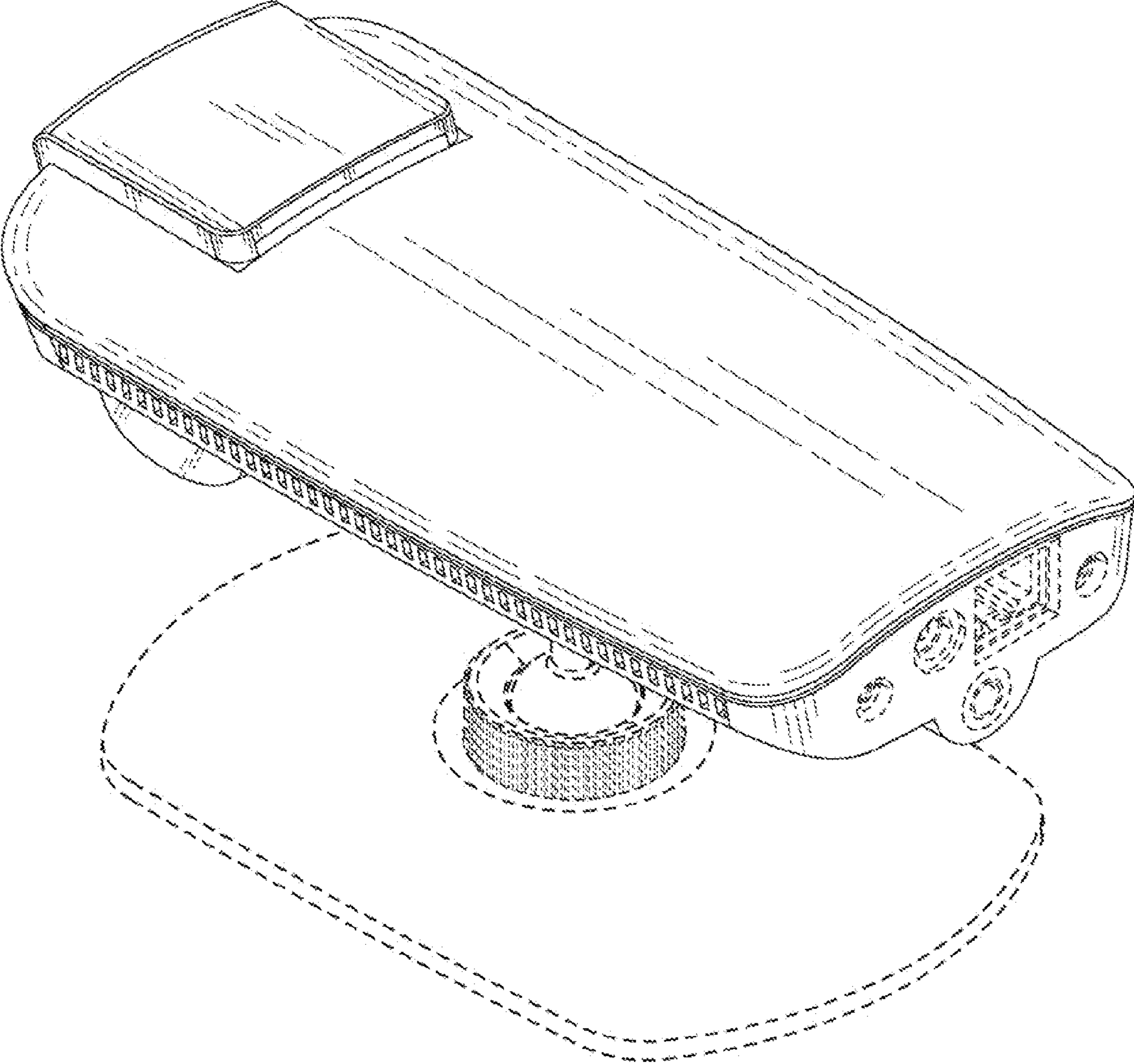


FIG. 1

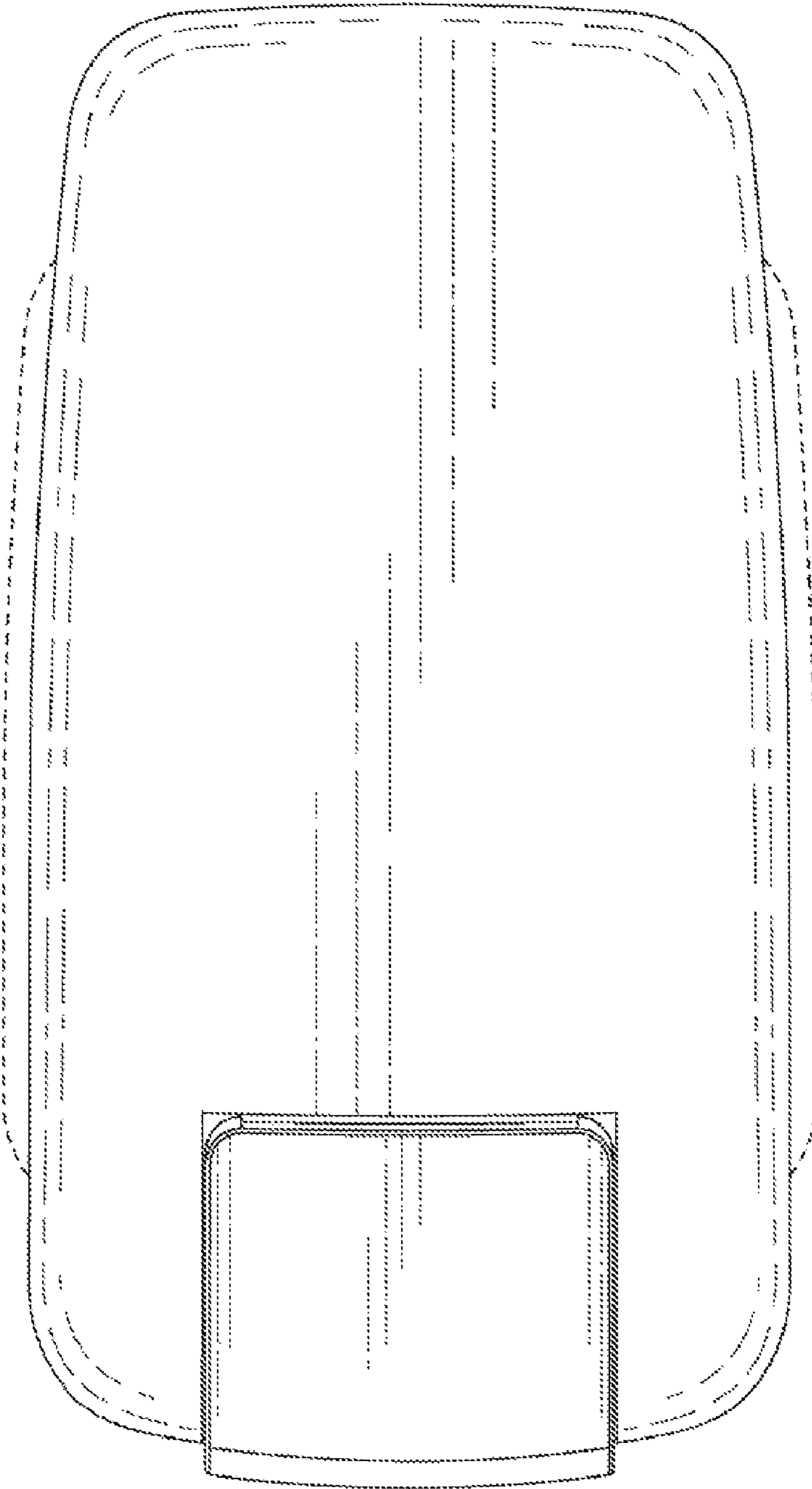


FIG. 2

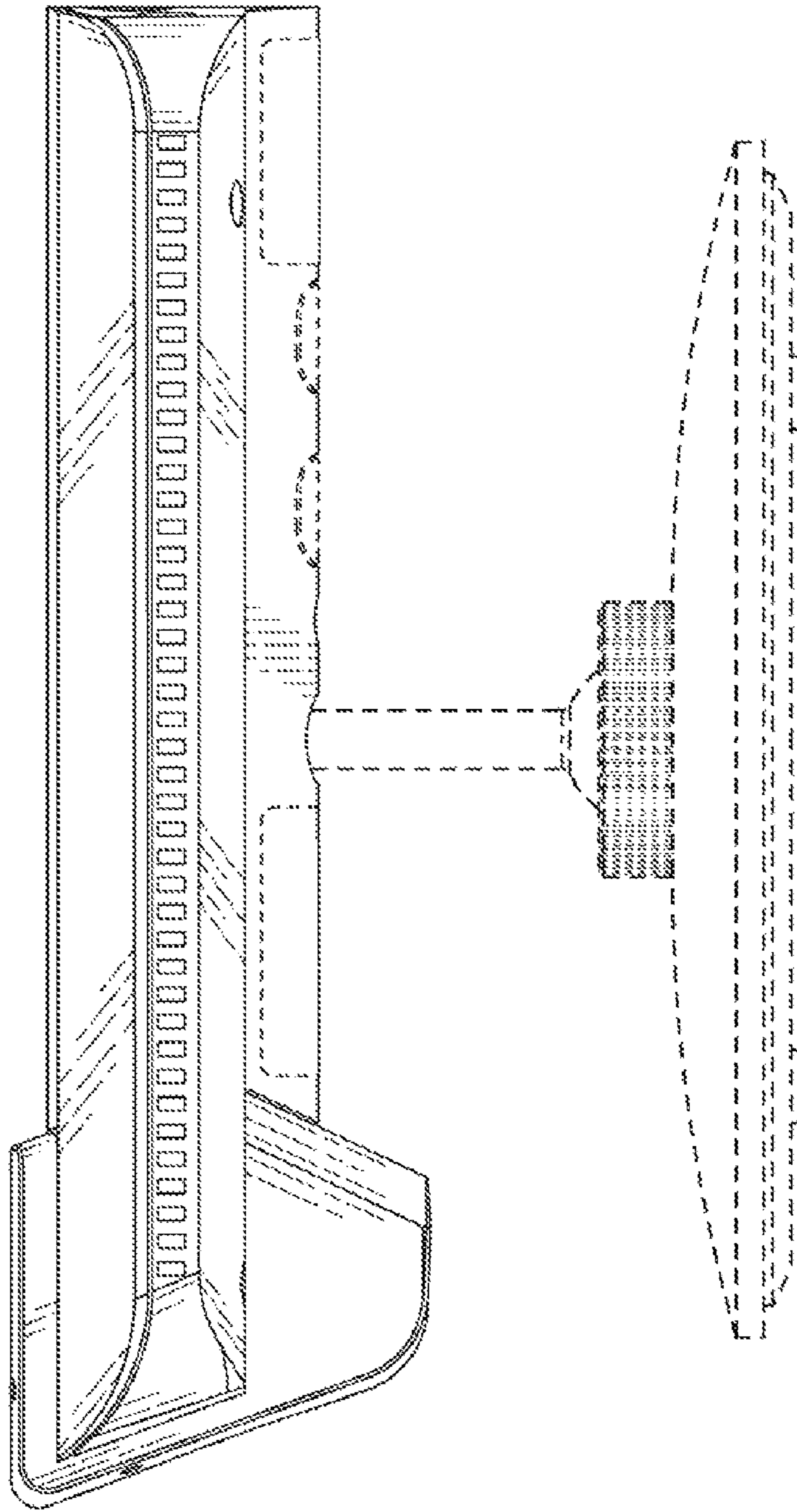


FIG. 3

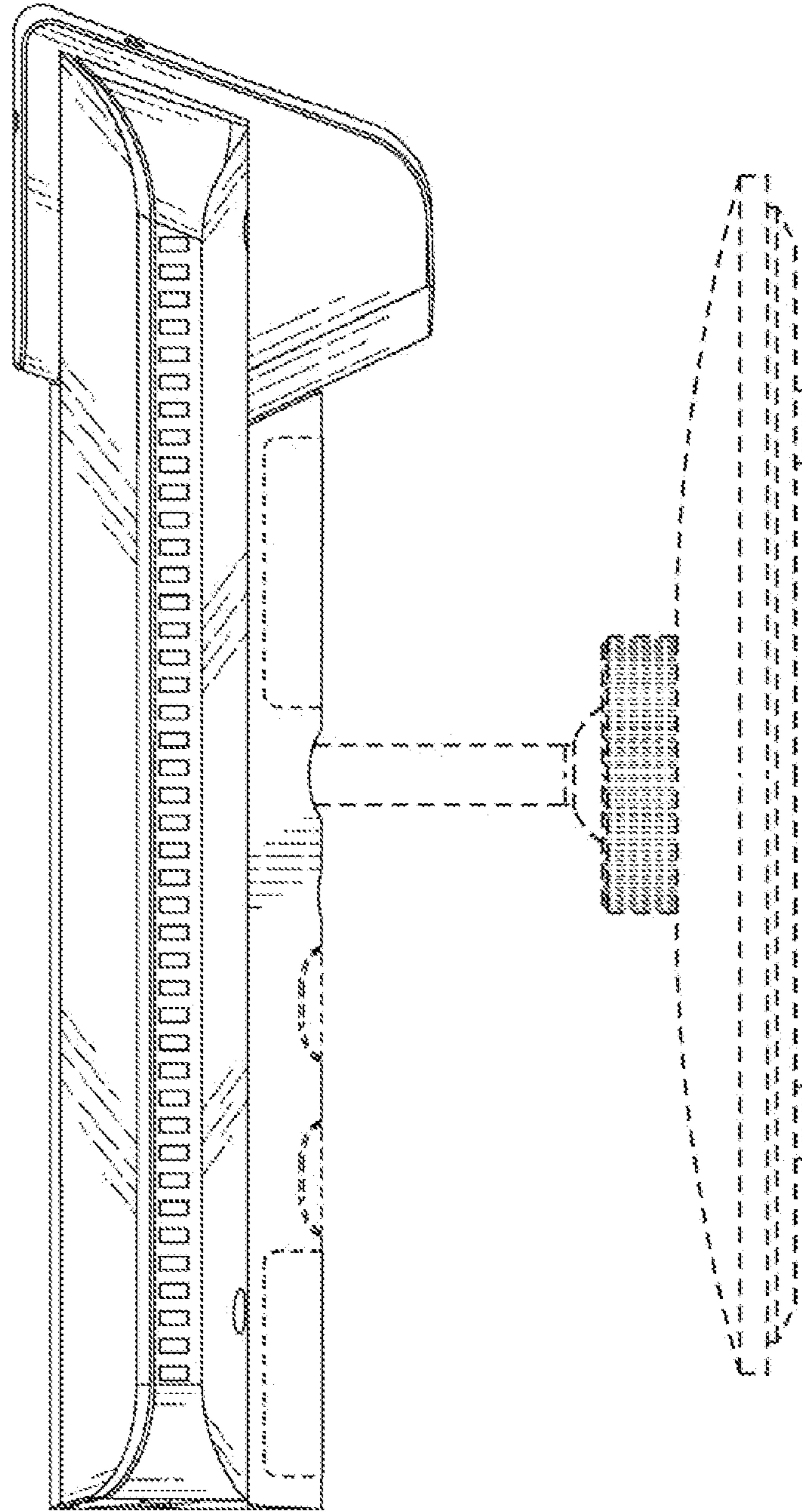


FIG. 4

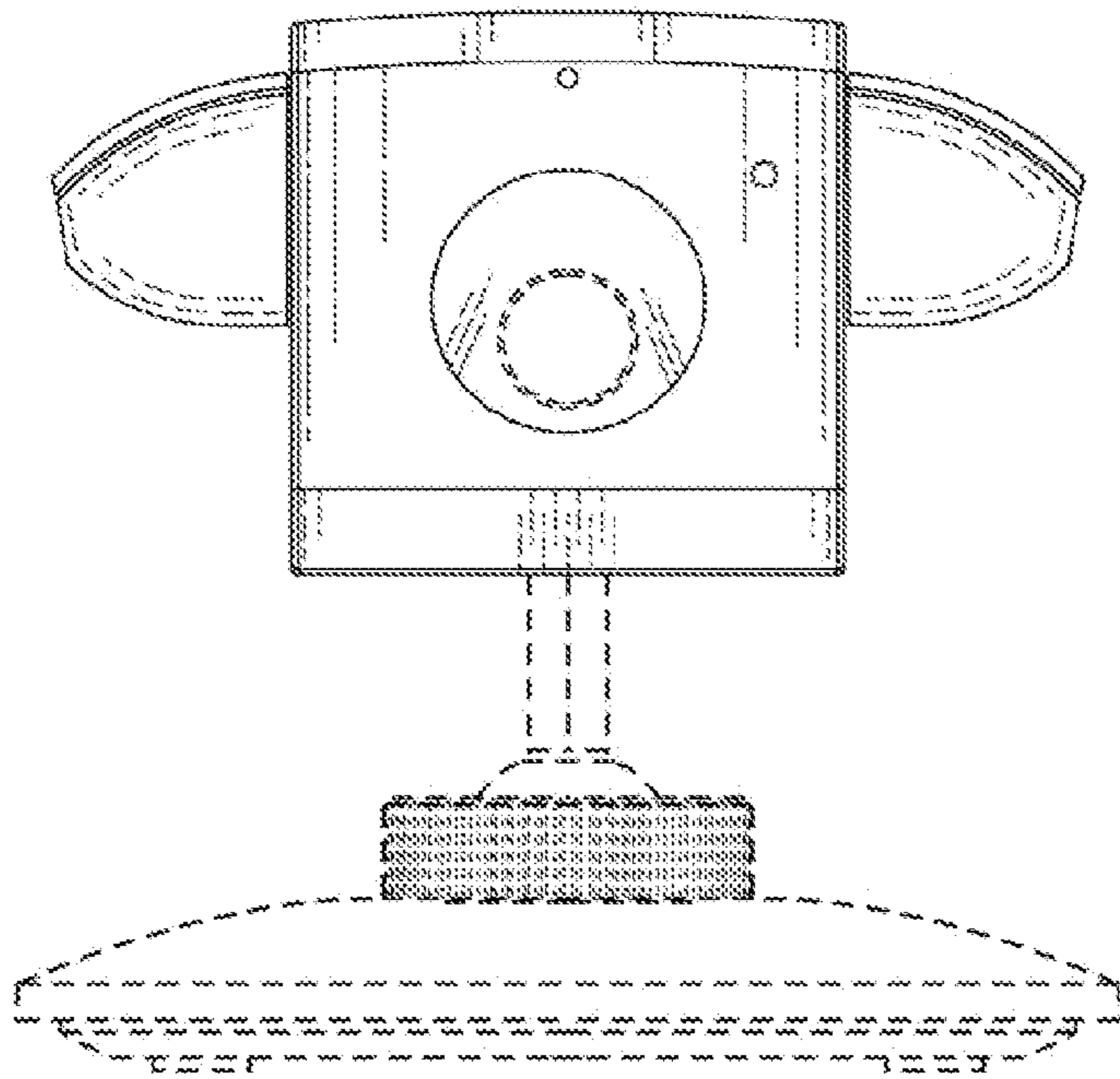


FIG. 5

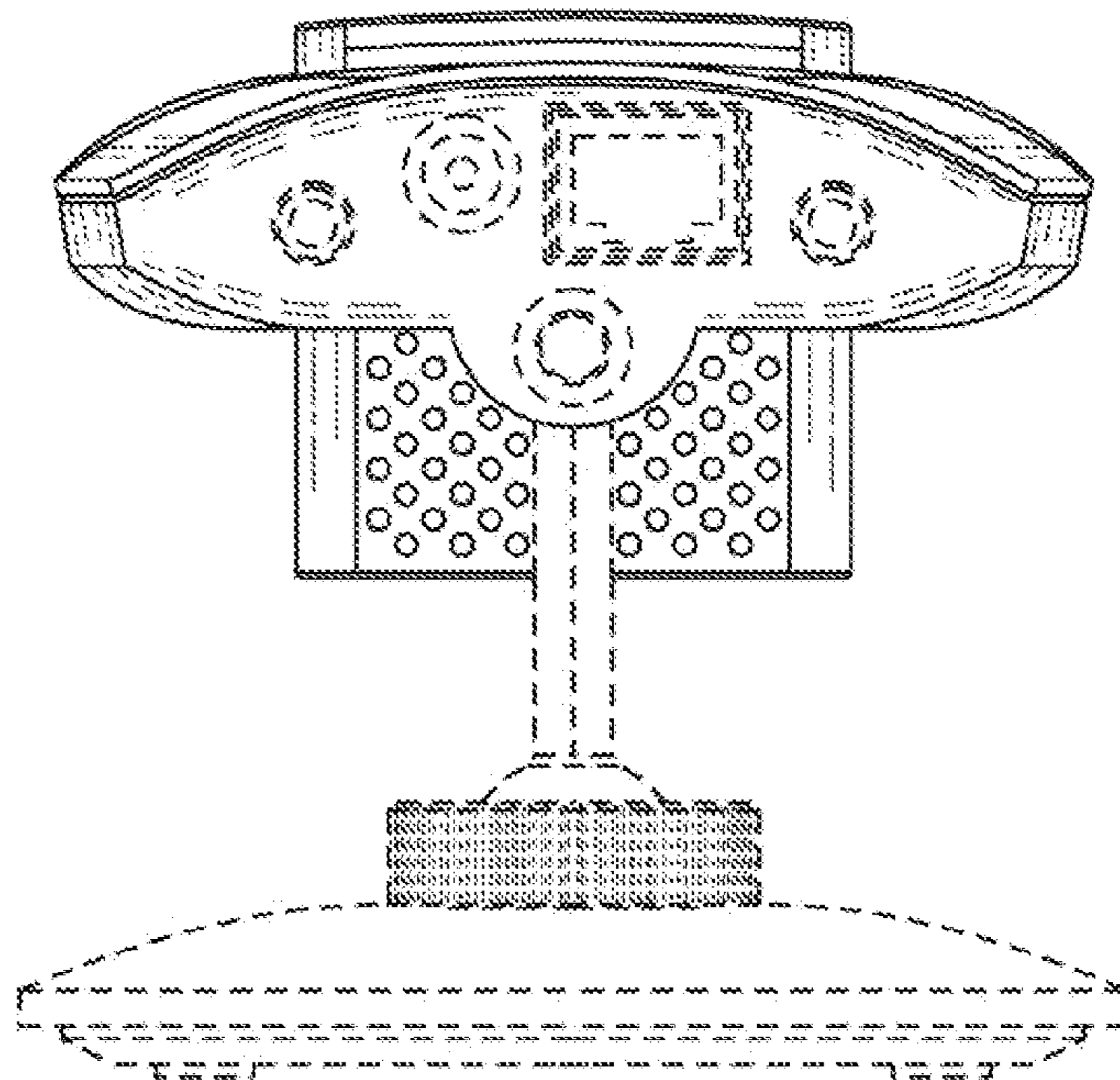


FIG. 6

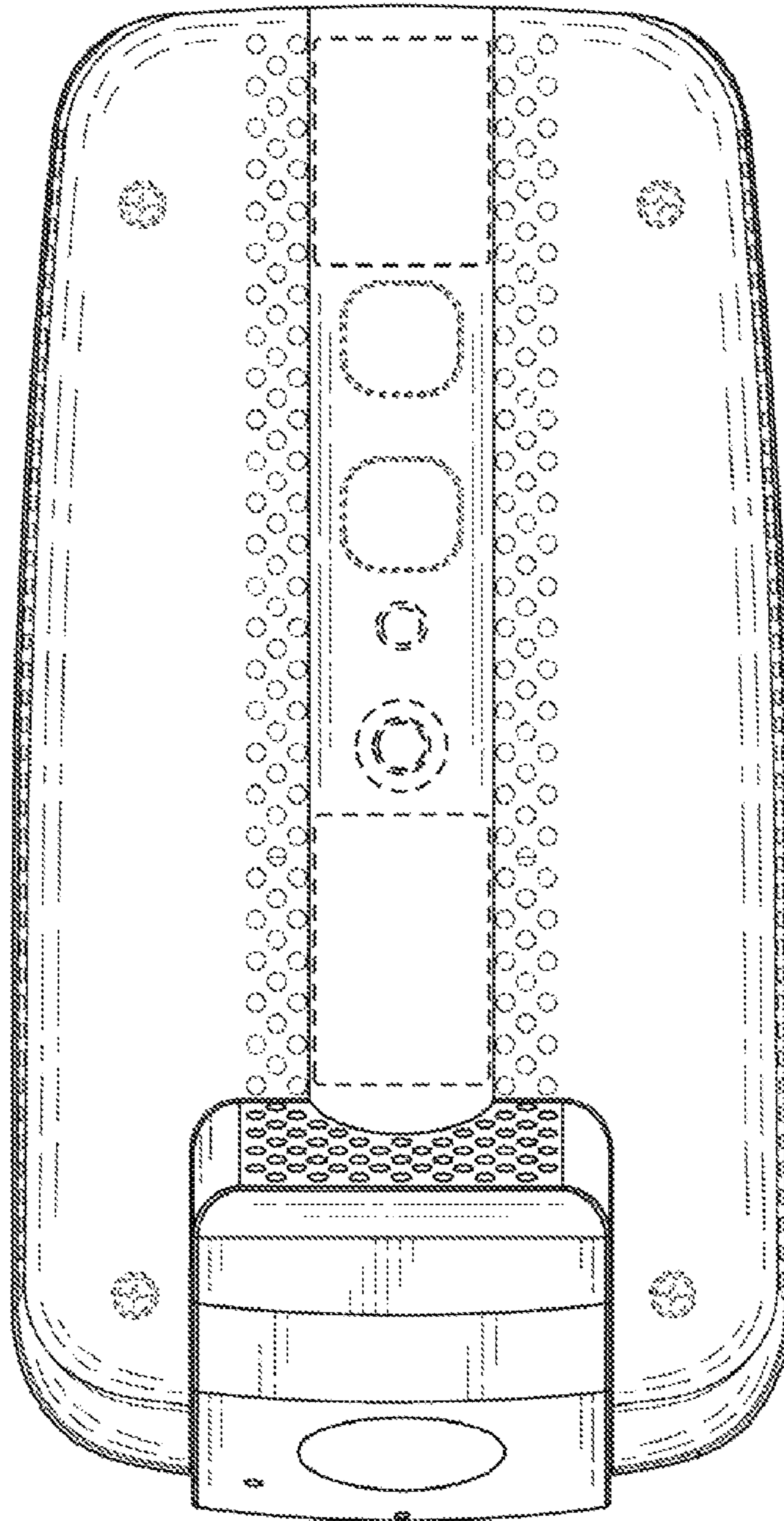


FIG. 7

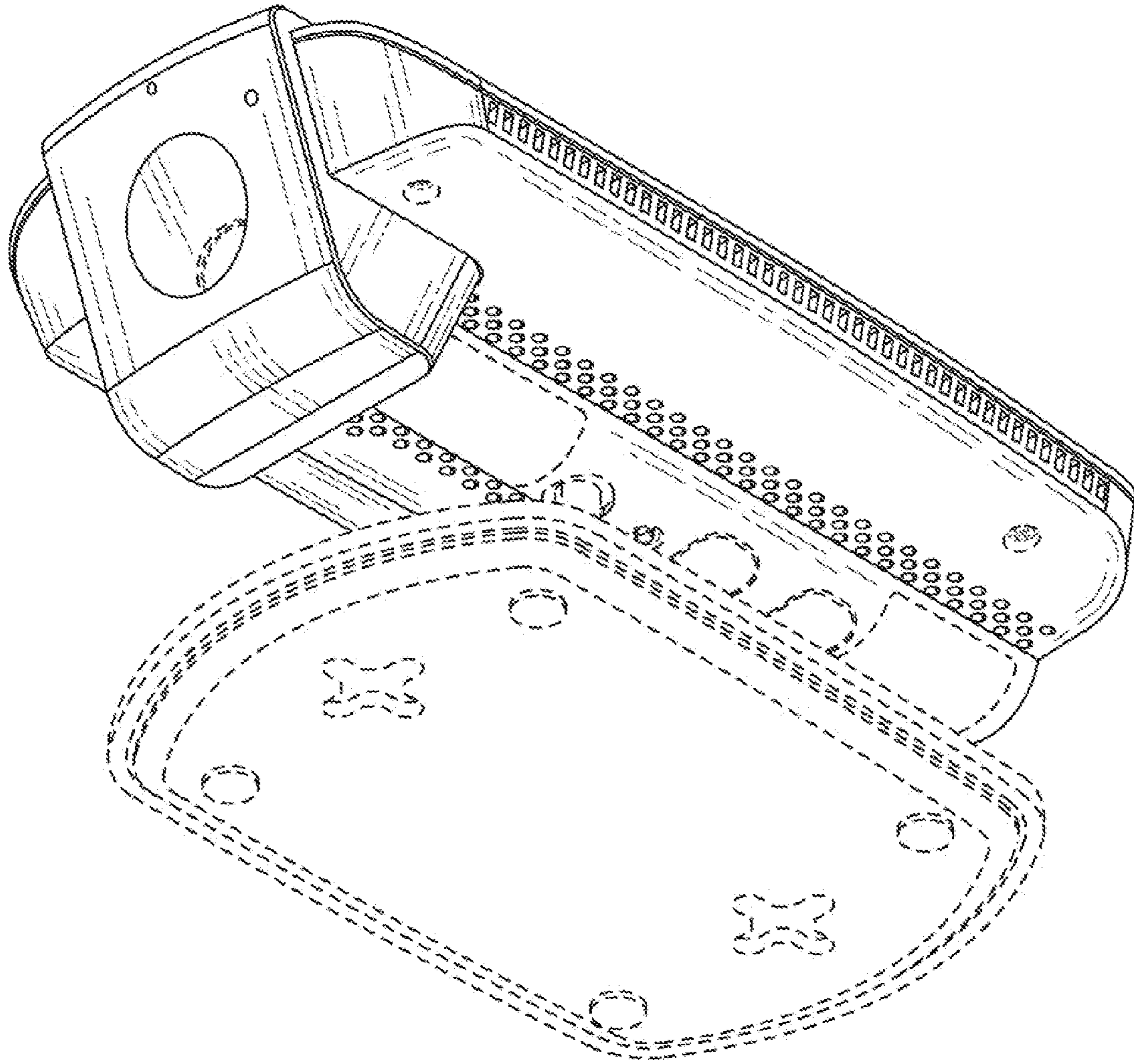


FIG. 8