



US00D613782S

(12) **United States Design Patent**
Lager

(10) **Patent No.:** **US D613,782 S**
(45) **Date of Patent:** **** Apr. 13, 2010**

(54) **IDENTIFICATION CARD MAGNIFIER**

(76) Inventor: **Shaun Lager**, 3905 State St., Suite
7-139, Santa Barbara, CA (US) 93105

(**) Term: **14 Years**

(21) Appl. No.: **29/333,434**

(22) Filed: **Mar. 10, 2009**

(51) **LOC (9) Cl.** **16-06**

(52) **U.S. Cl.** **D16/135**

(58) **Field of Classification Search** D16/130,
D16/134, 135; D12/193; D6/300; 40/625,
40/643, 570, 546, 209, 204, 205; 283/109,
283/904; 359/802, 803, 808, 809, 807, 810,
359/811, 813; 235/487; 428/13, 14
See application file for complete search history.

(56) **References Cited**

U.S. PATENT DOCUMENTS

294,171	A *	2/1884	Watts	359/810
1,566,167	A *	12/1925	Petersen et al.	40/643
1,664,302	A *	3/1928	Lewis et al.	40/205
1,752,080	A *	3/1930	Hedglon	40/209
1,886,352	A *	11/1932	Nickerson, Jr.	40/209
2,190,571	A *	2/1940	Salducco	40/209
2,361,479	A *	10/1944	Joffo	40/204
2,551,622	A *	5/1951	Mohr	40/546
2,827,722	A *	3/1958	Leclerc	40/209
2,831,281	A *	4/1958	Nayman	40/209
2,935,281	A *	5/1960	Huffman	248/475.1

3,197,902	A *	8/1965	Buzan	40/546
3,409,343	A *	11/1968	Zapp	359/431
3,409,347	A *	11/1968	Vogel	359/808
3,413,171	A *	11/1968	Hannon	156/277
D236,028	S *	7/1975	Schroeder	D16/135
D288,746	S *	3/1987	Allekotte	D6/300
4,648,189	A *	3/1987	Michel	40/546
D327,710	S *	7/1992	Hofman	D20/40
6,441,974	B1 *	8/2002	Miranda et al.	359/811
D491,211	S *	6/2004	Giampavolo et al.	D16/135

* cited by examiner

Primary Examiner—Paula Greene

(74) *Attorney, Agent, or Firm*—Laura Tunnell

(57) **CLAIM**

The ornamental design for an identification card magnifier, as shown and described.

DESCRIPTION

FIG. 1 is an exploded view of the identification card magnifier showing my new design; the two outermost sections shown in FIG. 1 are mirror images of each other, the interior of the front outermost section omits the holes;

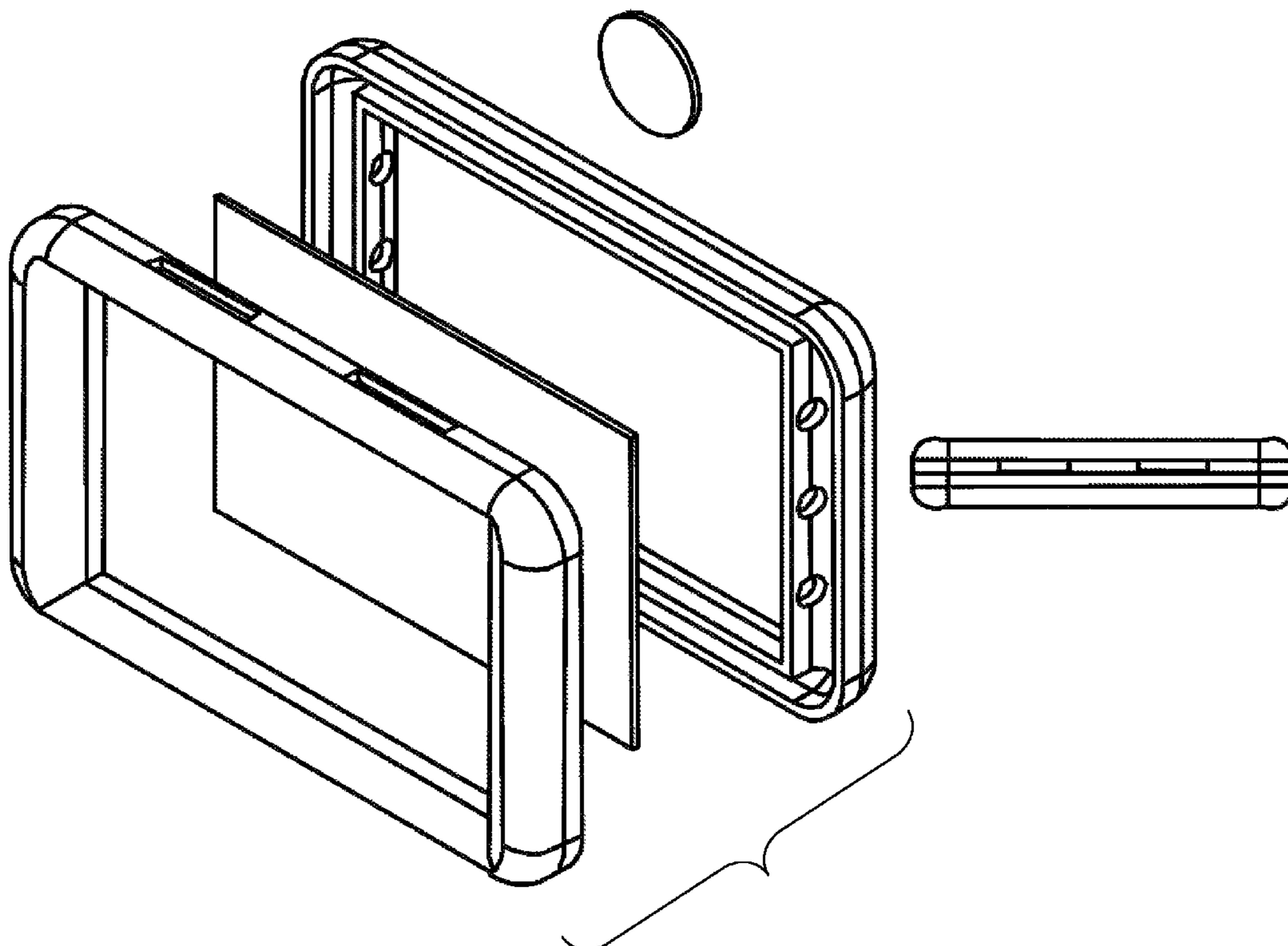
FIG. 2 is a front view thereof;

FIG. 3 is a top view thereof;

FIG. 4 is a bottom view thereof; and,

FIG. 5 is a side view thereof, the opposite side is a mirror image.

1 Claim, 2 Drawing Sheets



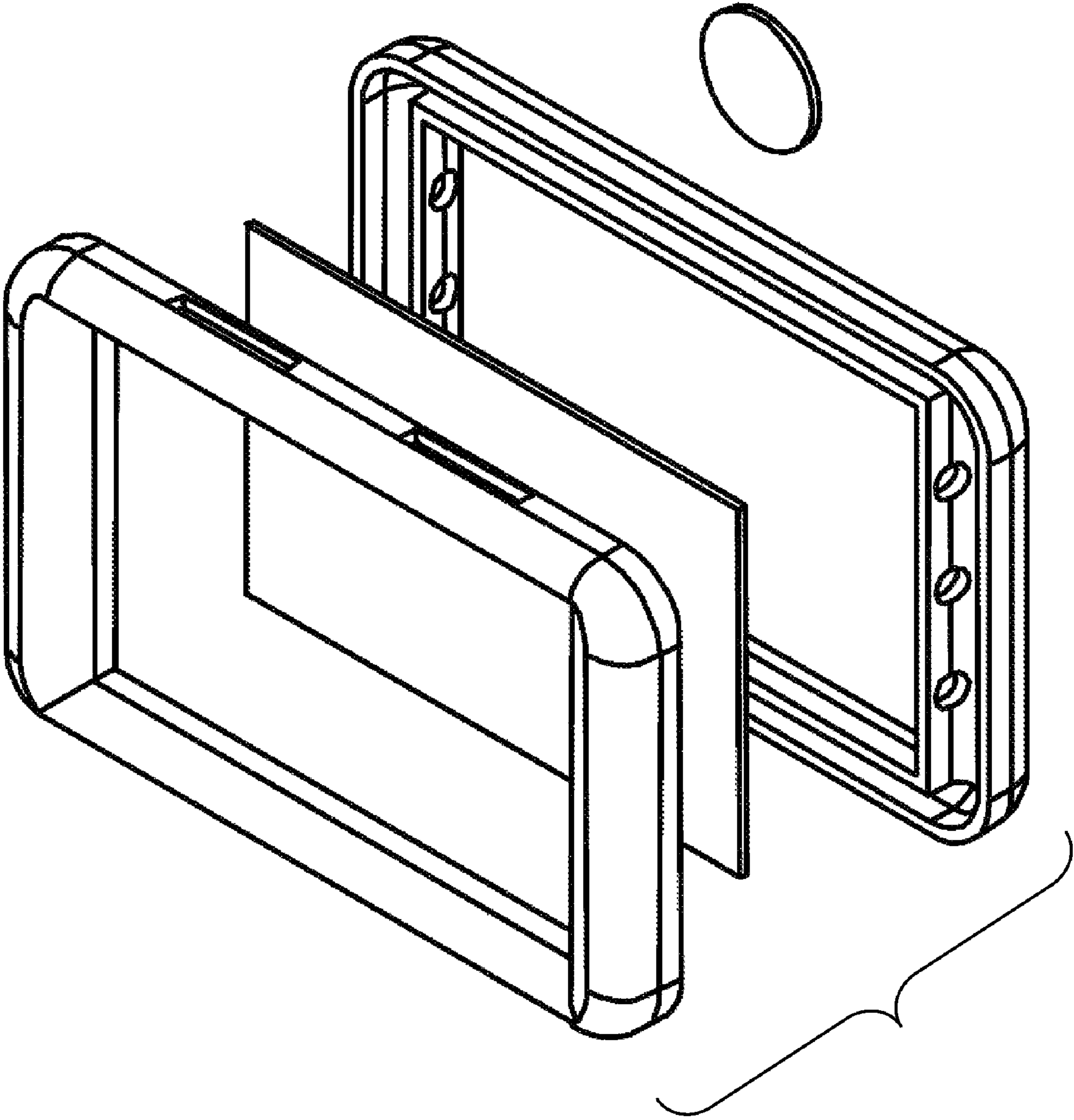


Figure 1

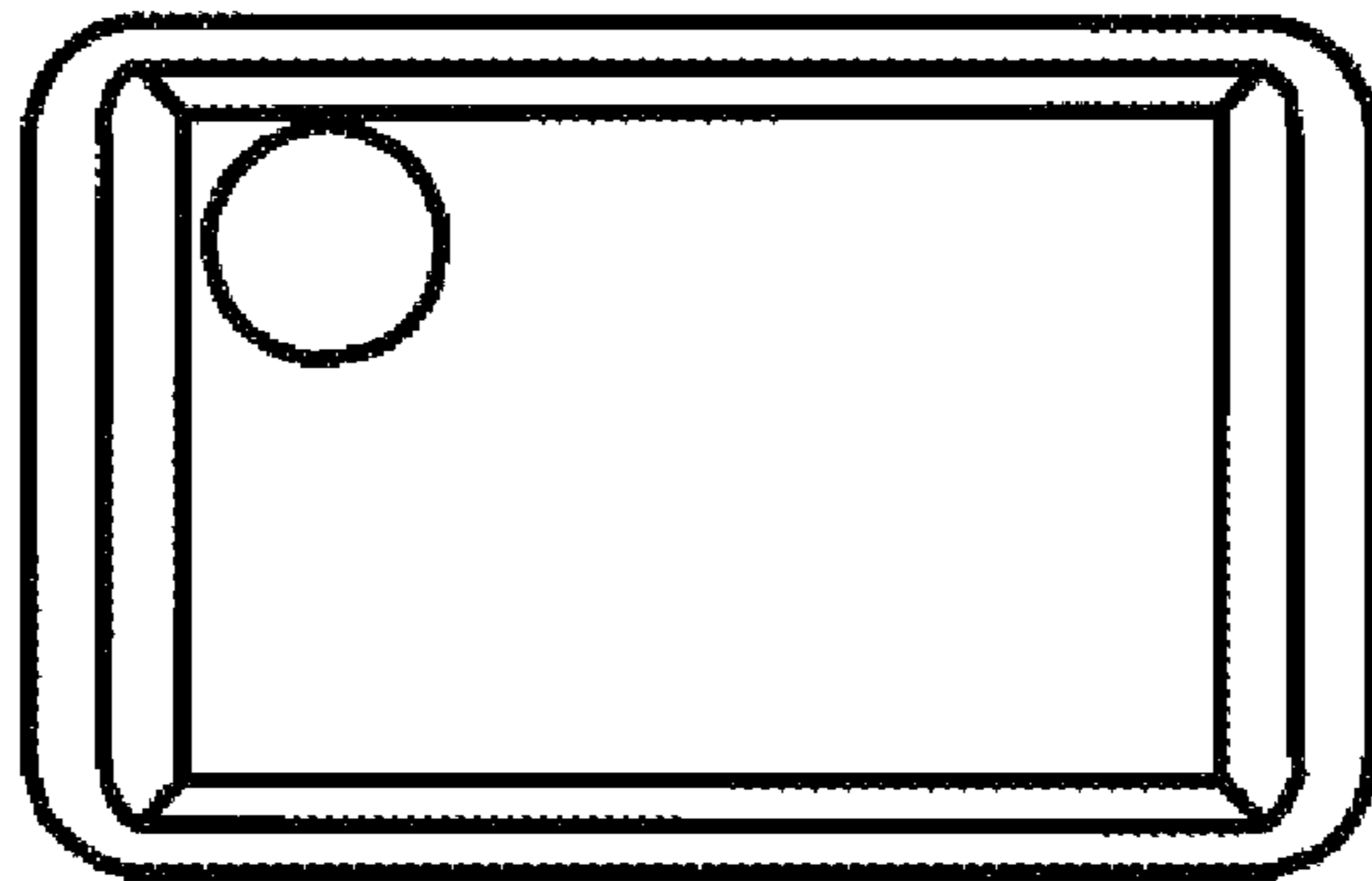


Figure 2

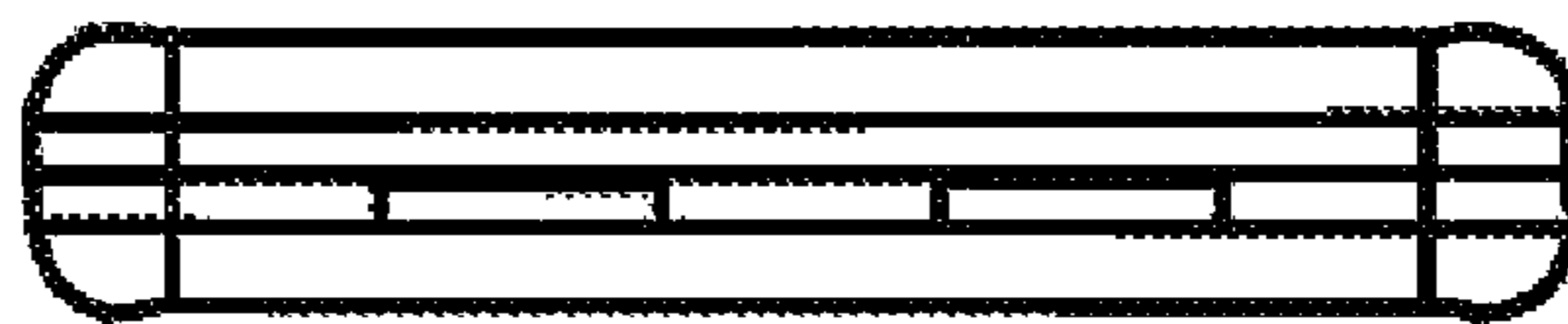


Figure 3

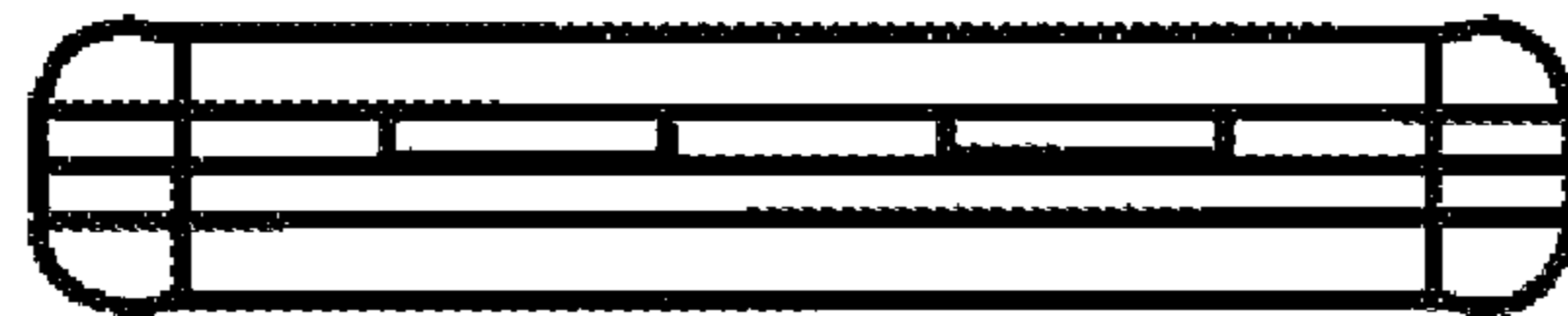


Figure 4

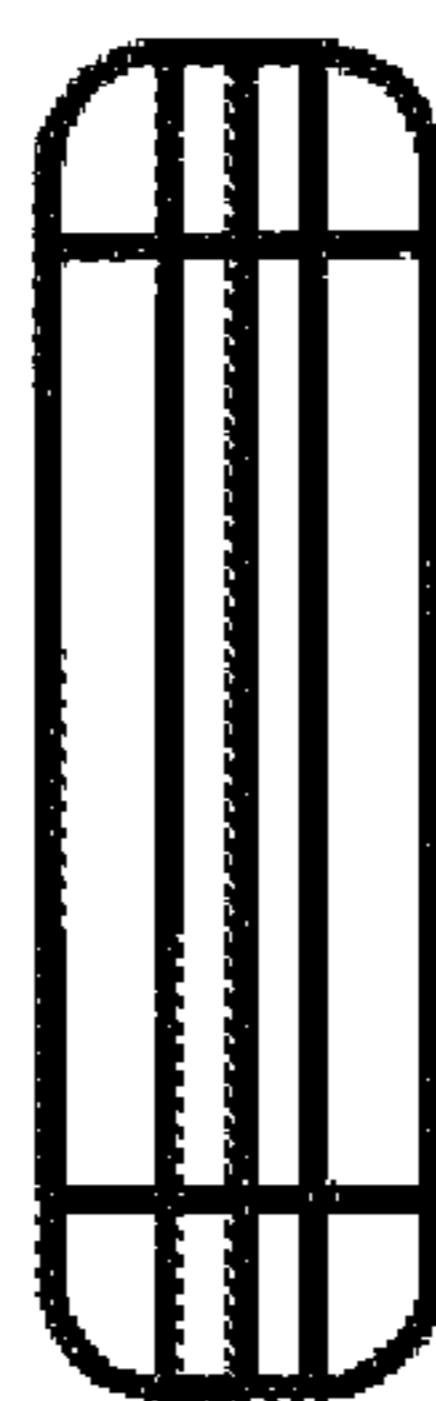


Figure 5