

US00D613781S

(12) **United States Design Patent**
Liu et al.

(10) **Patent No.:** **US D613,781 S**
(45) **Date of Patent:** **** Apr. 13, 2010**

(54) **ROBOT**

(75) Inventors: **Zhen-Xing Liu**, Shenzhen (CN); **Yong Zhang**, Shenzhen (CN)

(73) Assignee: **Hon Hai Precision Industry Co., Ltd.**, Tu-Cheng, Taipei Hsien (TW)

(**) Term: **14 Years**

(21) Appl. No.: **29/341,591**

(22) Filed: **Aug. 9, 2009**

(30) **Foreign Application Priority Data**

Jun. 29, 2009 (CN) 2009 3 0307840

(51) **LOC (9) Cl.** **15-99**

(52) **U.S. Cl.** **D15/199**

(58) **Field of Classification Search** D15/199;
74/490.01, 490.02, 490.03, 490.05; 219/124.34,
219/639; 318/560; 700/99, 150

See application file for complete search history.

(56) **References Cited**

U.S. PATENT DOCUMENTS

- 4,076,131 A * 2/1978 Dahlstrom et al. 414/730
- D268,033 S * 2/1983 Stackhouse D15/199
- D269,681 S * 7/1983 Morser et al. D15/199
- D279,571 S * 7/1985 Arai et al. D15/199
- D279,572 S * 7/1985 Yasuoka et al. D15/199
- D287,368 S * 12/1986 Shibayama et al. D15/199
- D293,324 S * 12/1987 Gotou et al. D15/199
- D334,581 S * 4/1993 Yoshikawa et al. D15/199

- D545,334 S * 6/2007 Kraft D15/199
- D548,759 S * 8/2007 Kraft D15/199
- 2005/0092122 A1 * 5/2005 Markert et al. 74/490.01
- 2008/0271561 A1 * 11/2008 Ohara et al. 74/490.01

* cited by examiner

Primary Examiner—Sandra Snapp

Assistant Examiner—Patricia Palasik

(74) *Attorney, Agent, or Firm*—Clifford O. Chi

(57) **CLAIM**

The ornamental design for a robot, as shown and described.

DESCRIPTION

FIG. 1 is a perspective view of a robot in an upright position showing my design;

FIG. 2 is a front elevational view thereof;

FIG. 3 is a rear elevational view thereof;

FIG. 4 is a left-side elevational view thereof;

FIG. 5 is a right-side elevational view thereof;

FIG. 6 is a top plan view thereof;

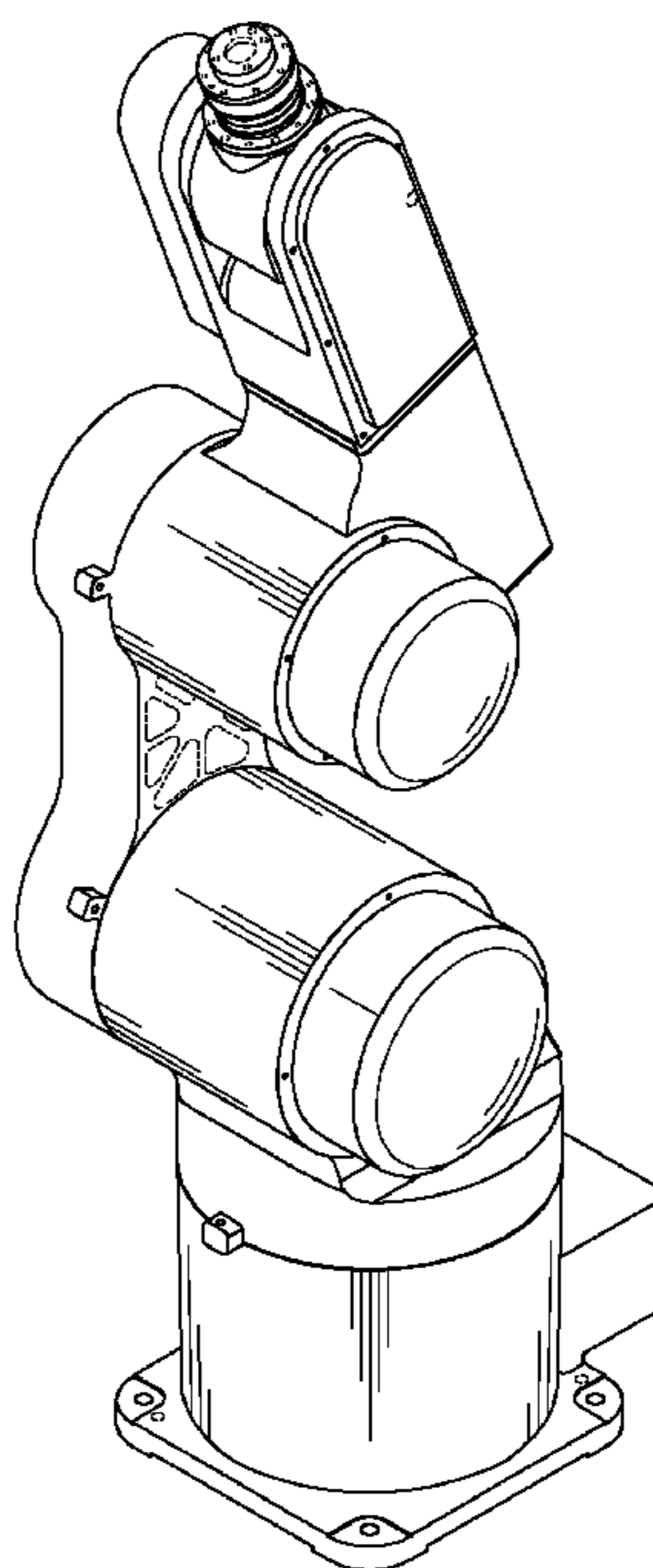
FIG. 7 is a bottom view thereof;

FIG. 8 is a perspective view of the robot of FIG. 1, showing a second state; and,

FIG. 9 is a perspective view of the robot of FIG. 1, showing a third state.

The broken lines in the drawings depict unclaimed environmental subject matter.

1 Claim, 9 Drawing Sheets



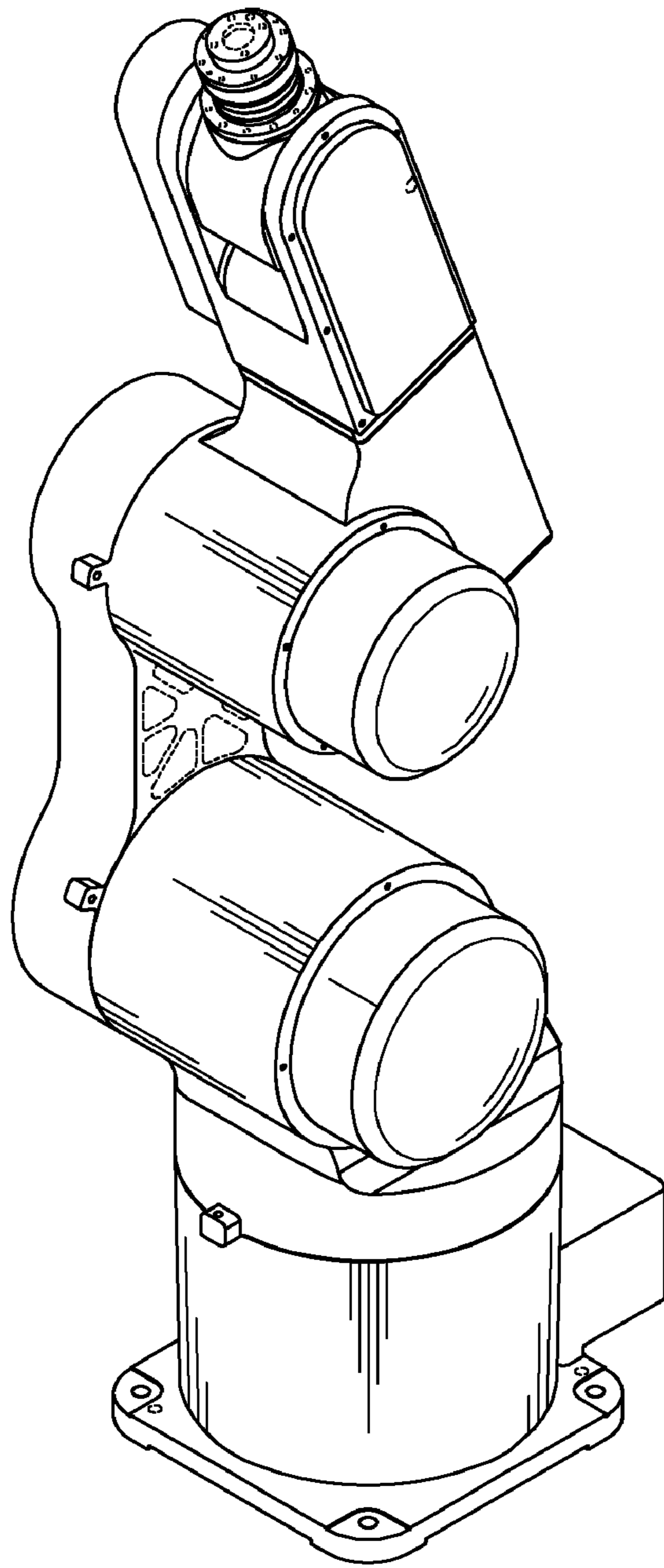


FIG. 1

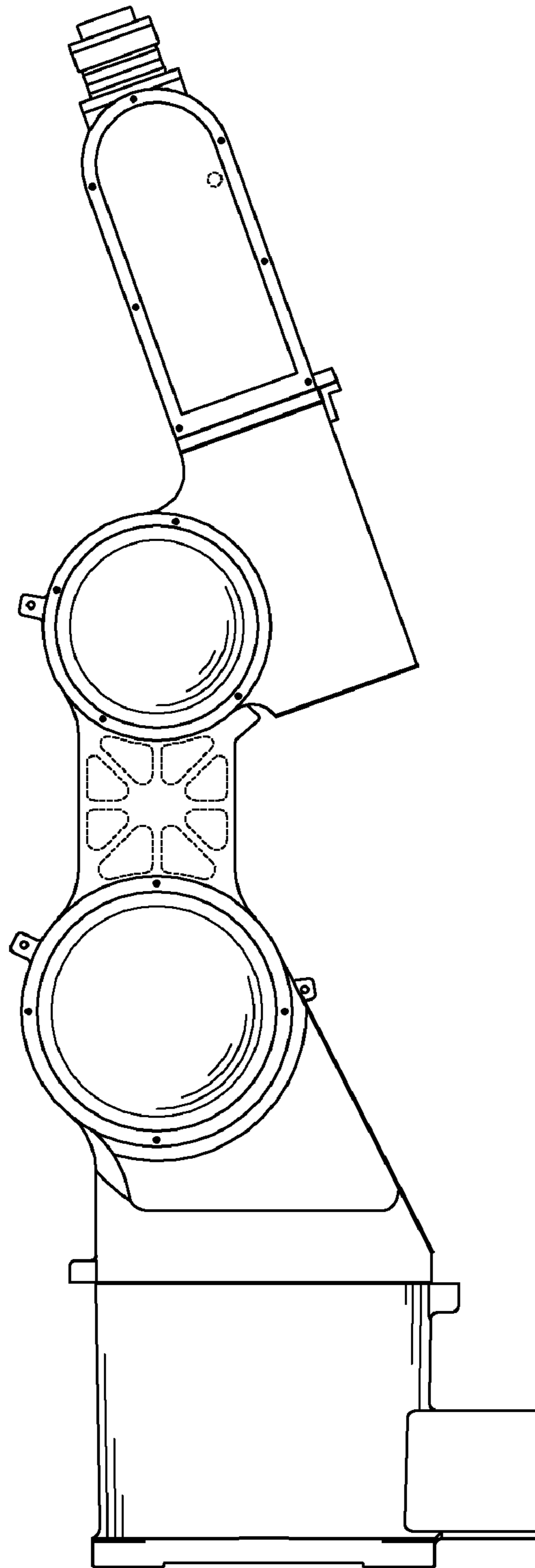


FIG. 2

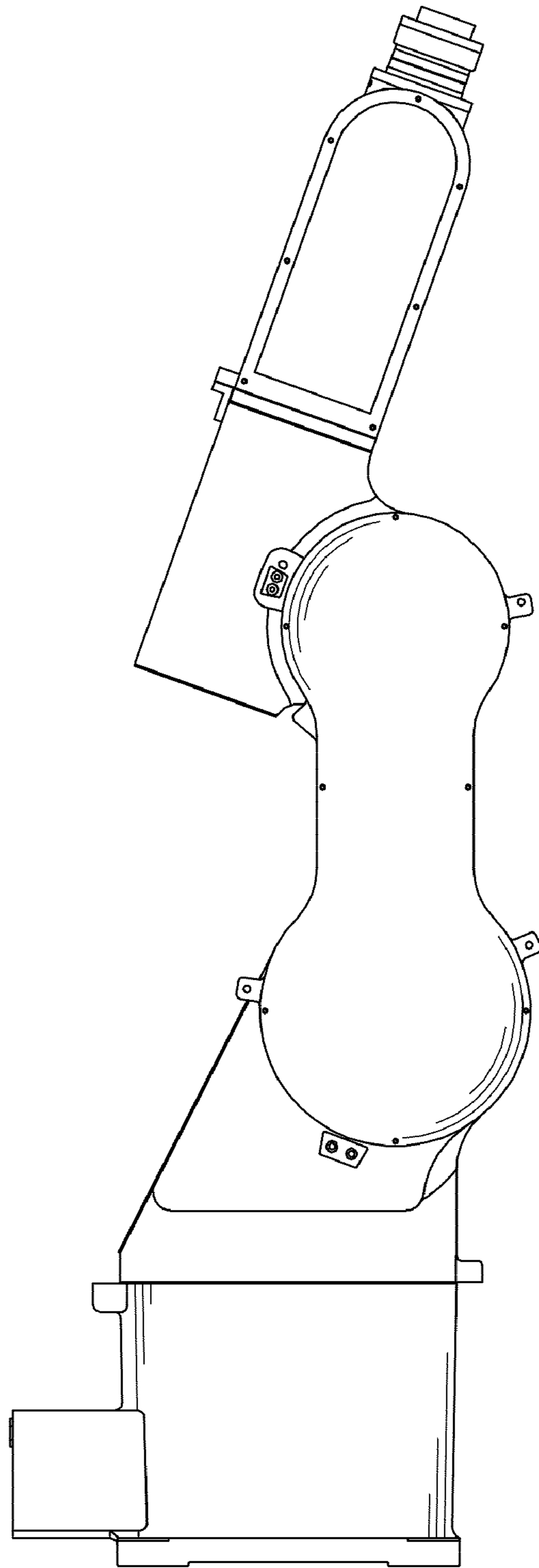


FIG. 3

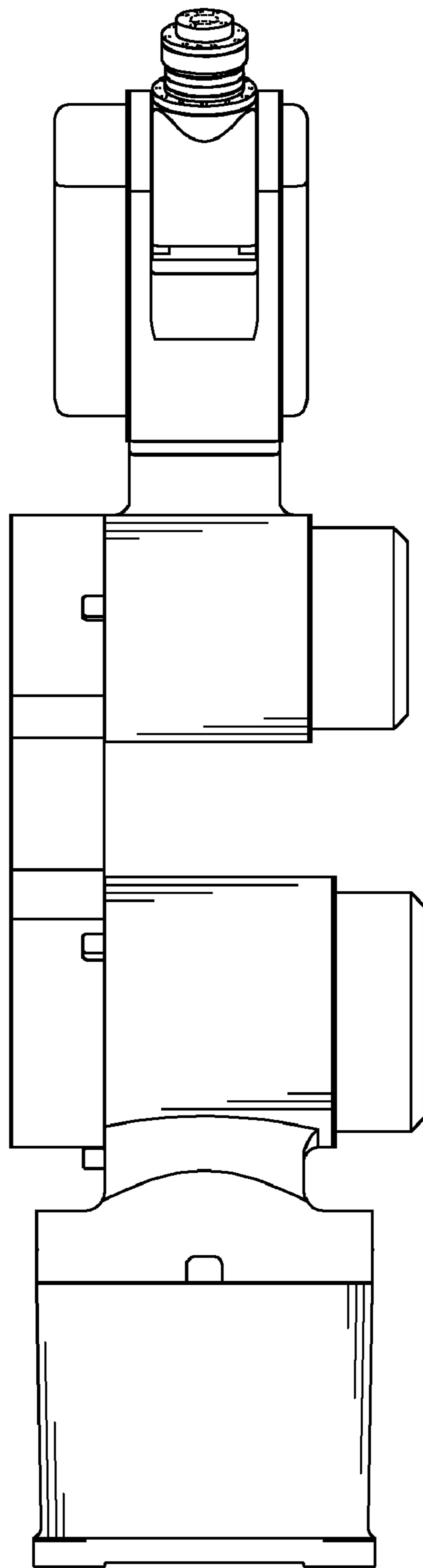


FIG. 4

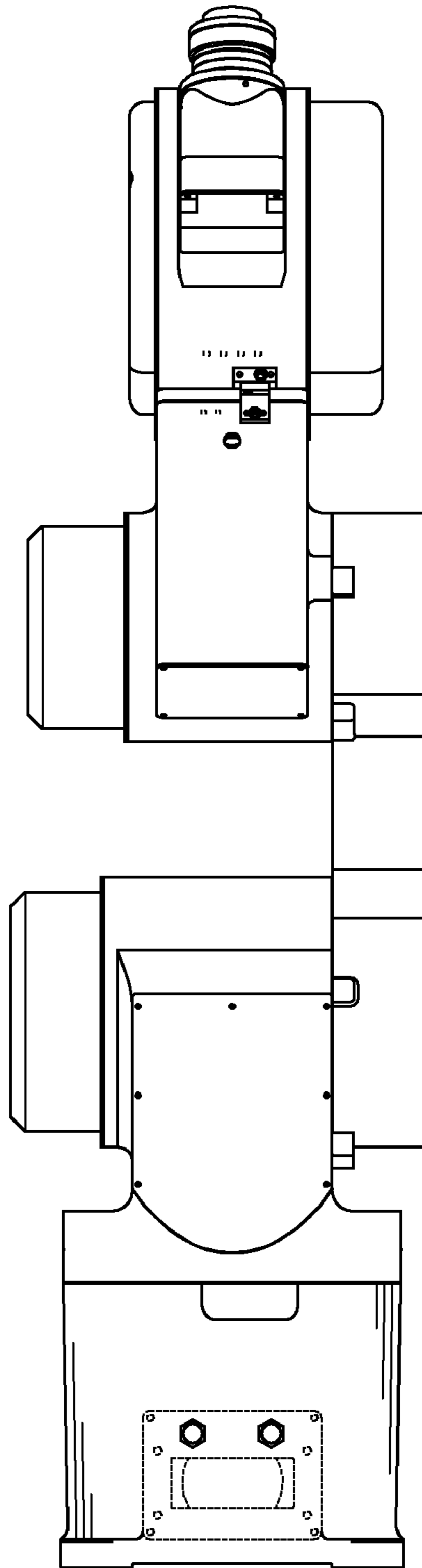


FIG. 5

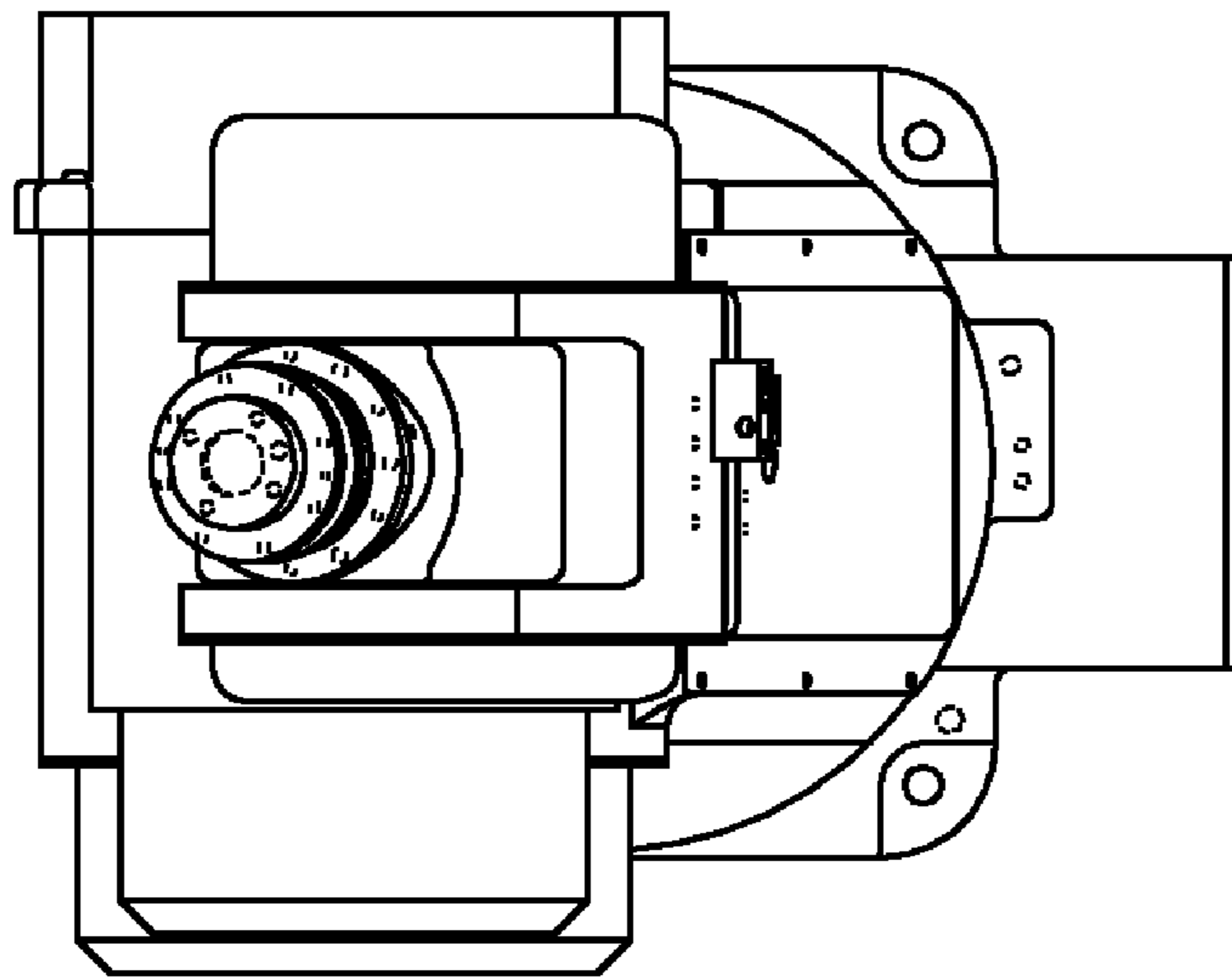


FIG. 6

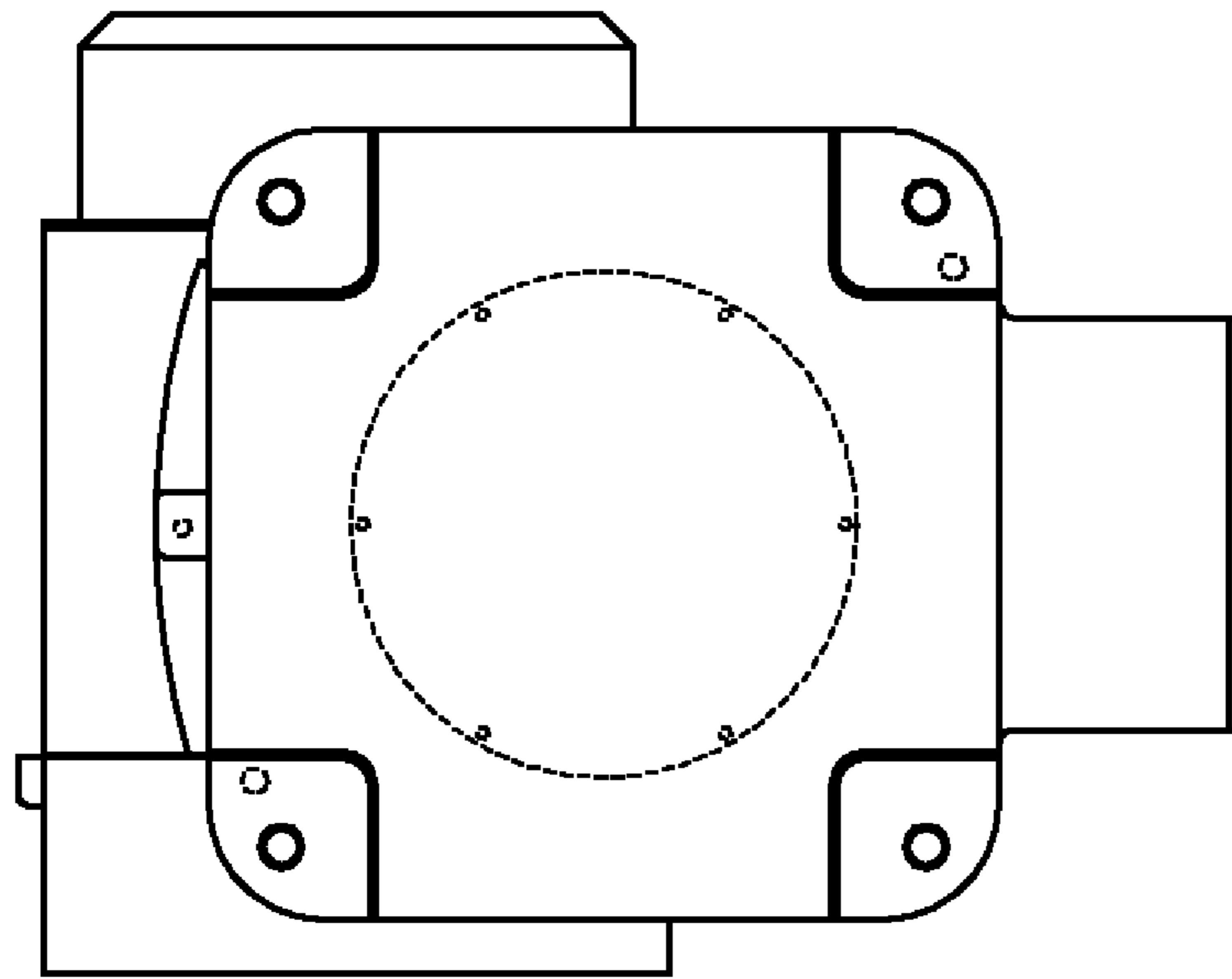


FIG. 7

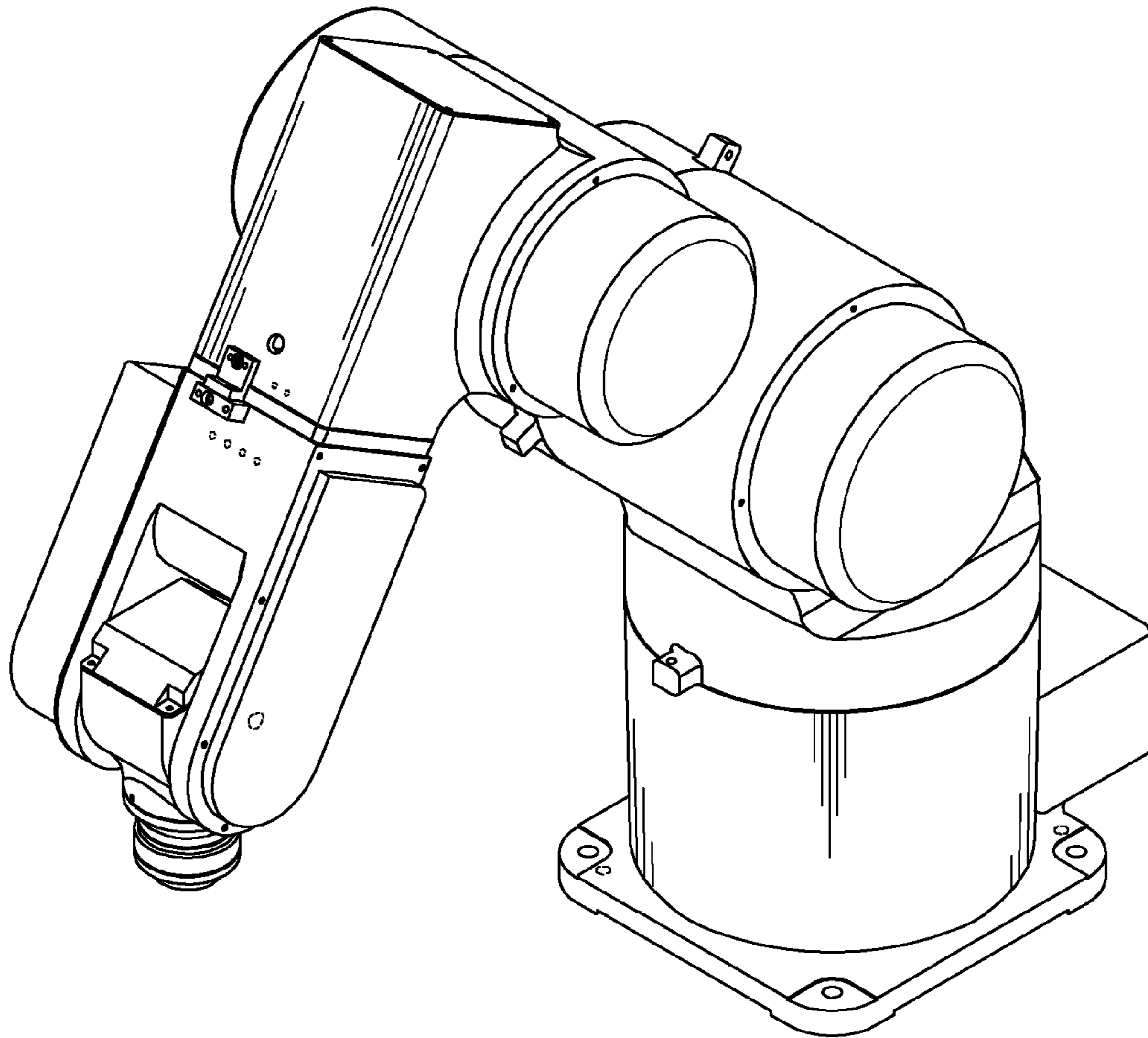


FIG. 8

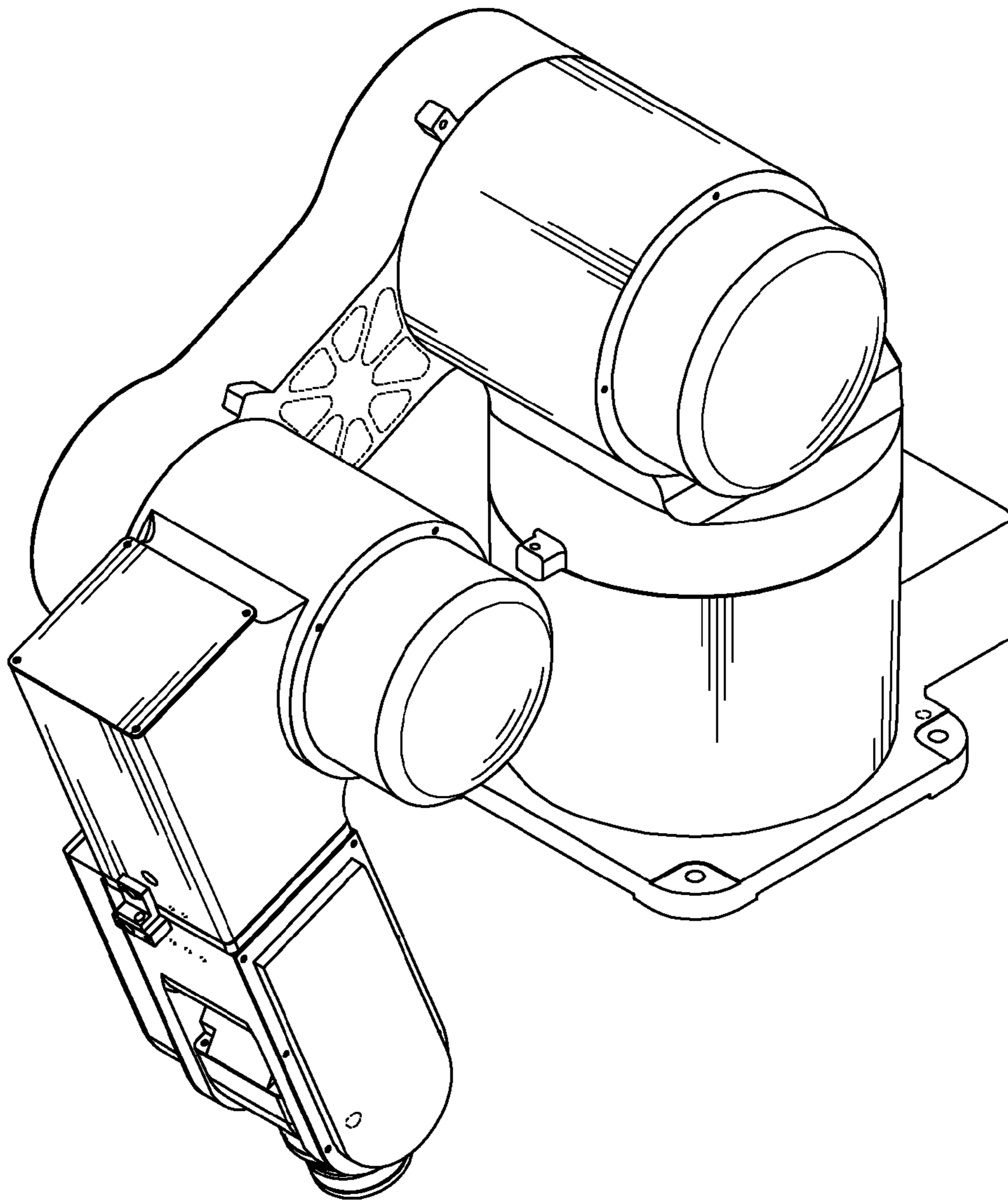


FIG. 9