



US00D613780S

(12) **United States Design Patent**
Henry et al.

(10) **Patent No.:** **US D613,780 S**
(45) **Date of Patent:** **** Apr. 13, 2010**

(54) **FABRIC WELDING MACHINE**

(75) Inventors: **Brian D. Henry**, North Lawrence, OH
(US); **Michael W. Jackson**, Wooster, OH
(US)

(73) Assignee: **Miller Weldmaster Corporation**,
Navarre, OH (US)

(**) Term: **14 Years**

(21) Appl. No.: **29/345,215**

(22) Filed: **Oct. 12, 2009**

(51) **LOC (9) Cl.** **15-09**

(52) **U.S. Cl.** **D15/144**

(58) **Field of Classification Search** D6/518-523;
D15/72, 78, 144, 144.1, 144.2, 146, 199;
140/105, 112; 156/290, 499; 219/56
See application file for complete search history.

(56) **References Cited**

U.S. PATENT DOCUMENTS

2,487,392 A * 11/1949 Southwick 219/56
4,661,186 A * 4/1987 De Bernardi 156/230
D386,638 S * 11/1997 Fong D6/518
D405,992 S * 2/1999 Lee et al. D6/522

D417,878 S * 12/1999 Terano et al. D15/144
D486,680 S * 2/2004 AlJizawi D6/522
7,094,298 B2 * 8/2006 Schwetz 156/71
2001/0042599 A1 * 11/2001 Boss 156/499
2008/0308234 A1 * 12/2008 Seo 156/499

* cited by examiner

Primary Examiner—Sandra Snapp

Assistant Examiner—Patricia Palasik

(74) *Attorney, Agent, or Firm*—Sand & Sebolt

(57) **CLAIM**

The ornamental design for a fabric welding machine, as shown and described.

DESCRIPTION

FIG. 1 is a perspective view of a fabric welding machine in accordance with the present invention;

FIG. 2 is a left side view of the fabric welding machine of FIG. 1;

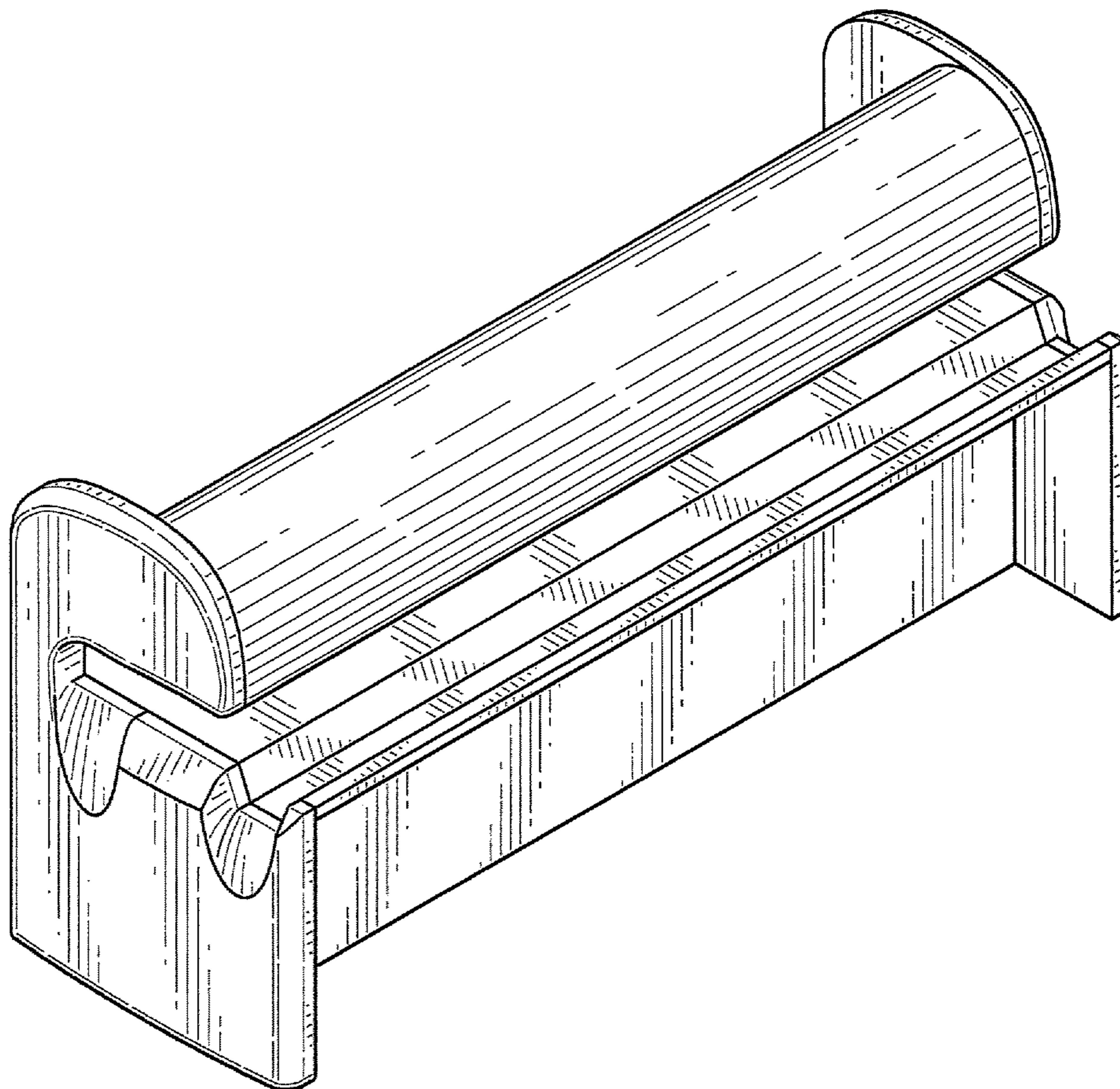
FIG. 3 is a right side view of the fabric welding machine;

FIG. 4 is a front view of the fabric welding machine;

FIG. 5 is a back view of the fabric welding machine; and,

FIG. 6 is a top view of the fabric welding machine.

1 Claim, 5 Drawing Sheets



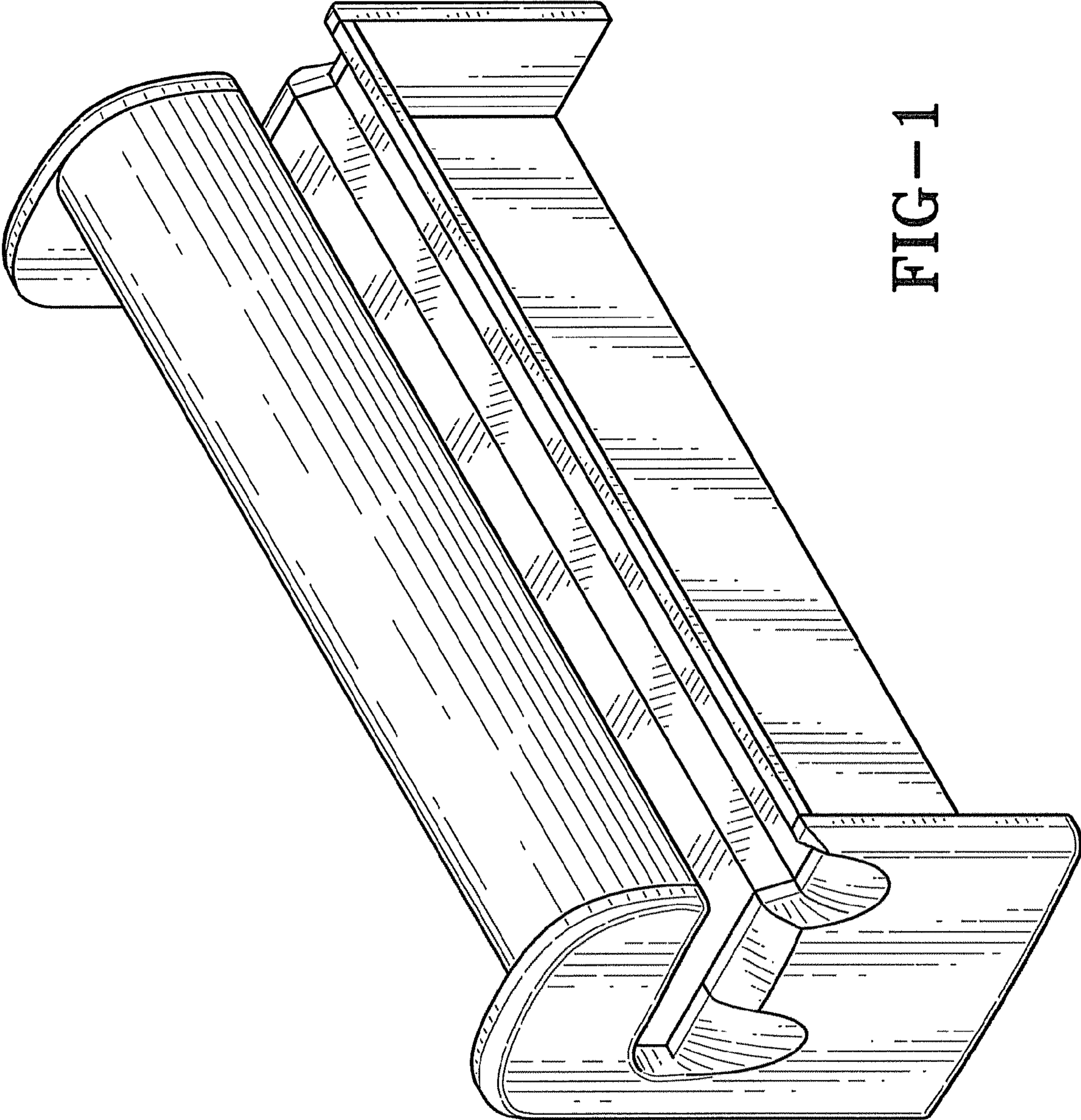


FIG--1

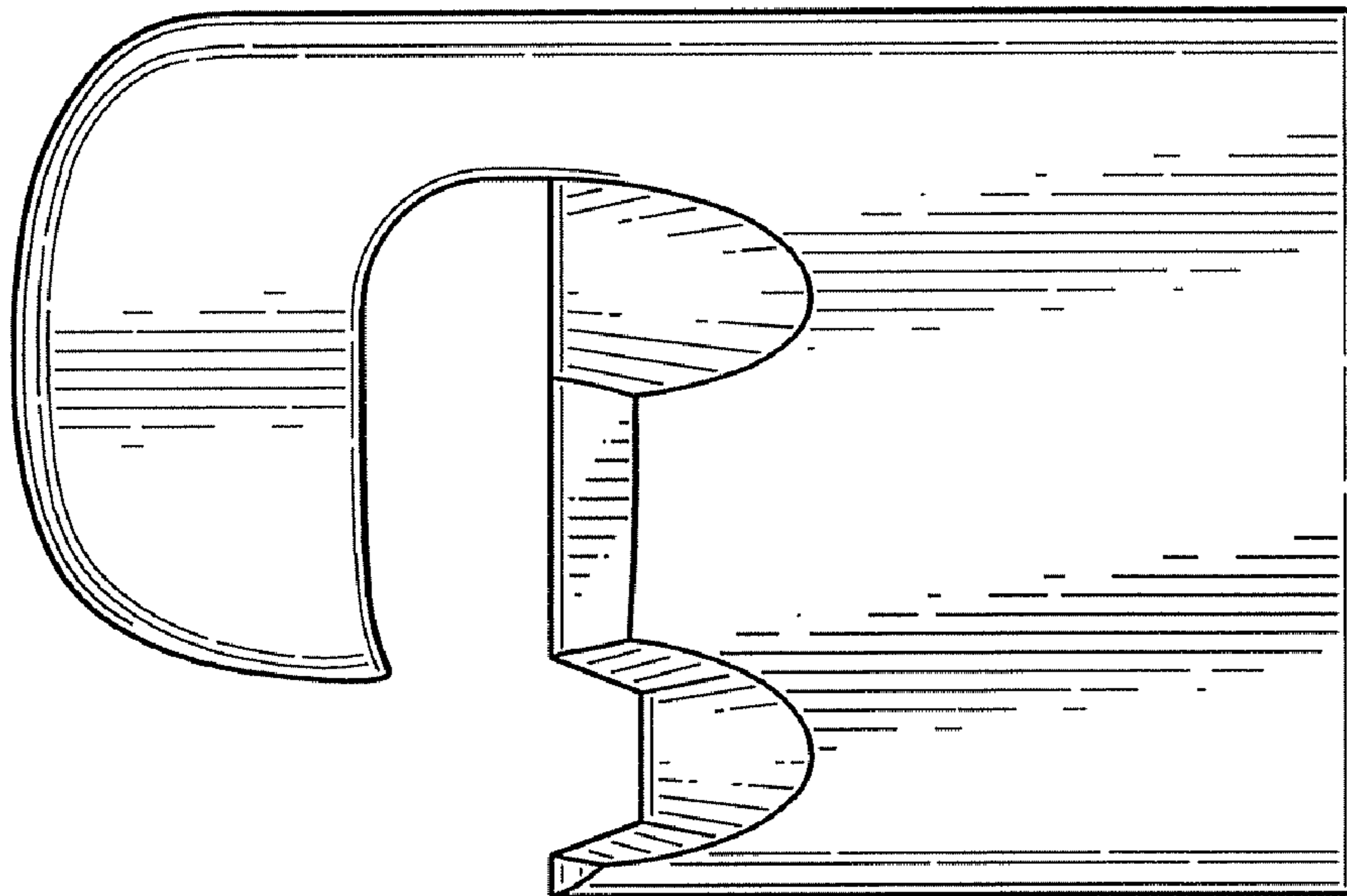


FIG-3

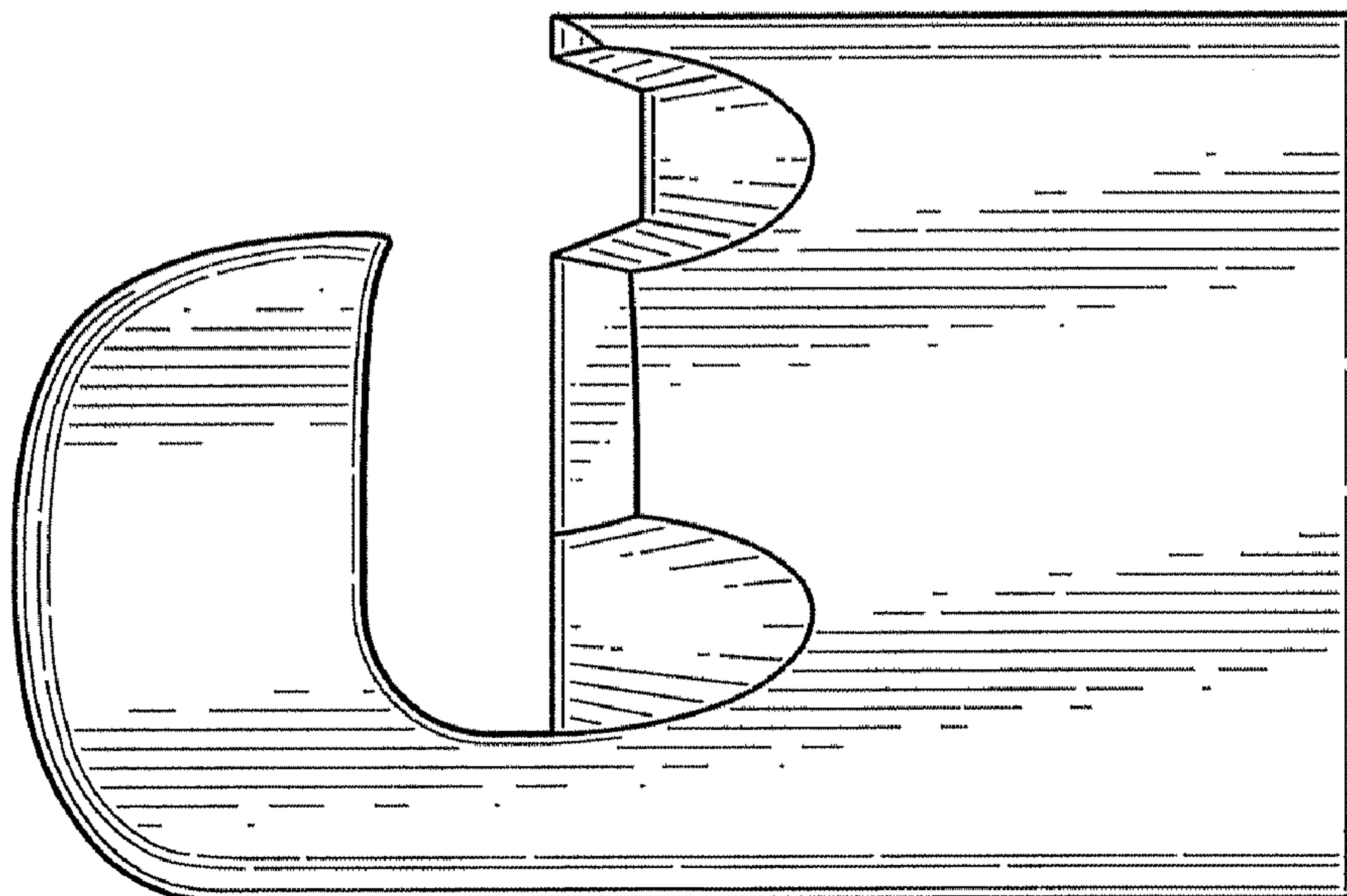


FIG-2

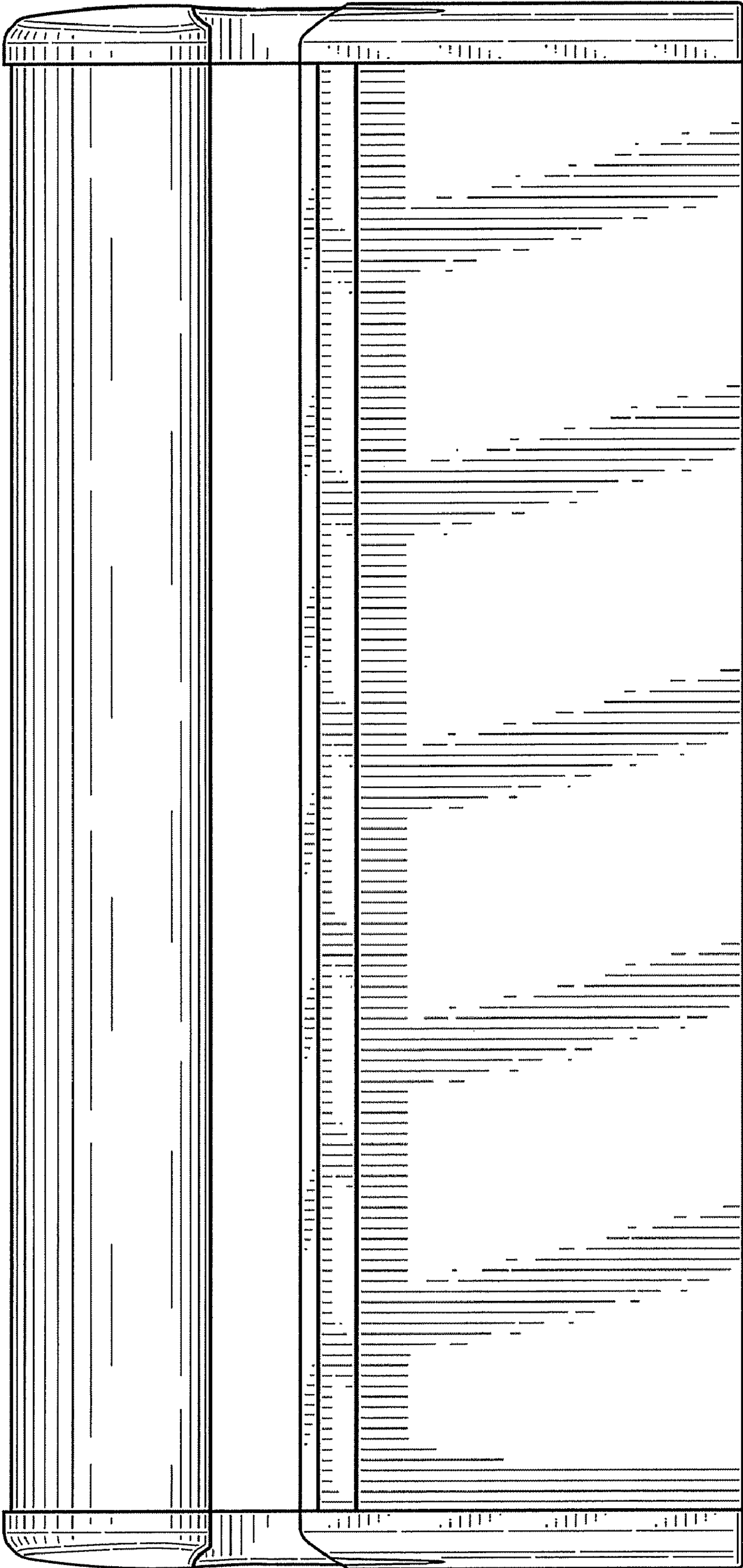


FIG-4

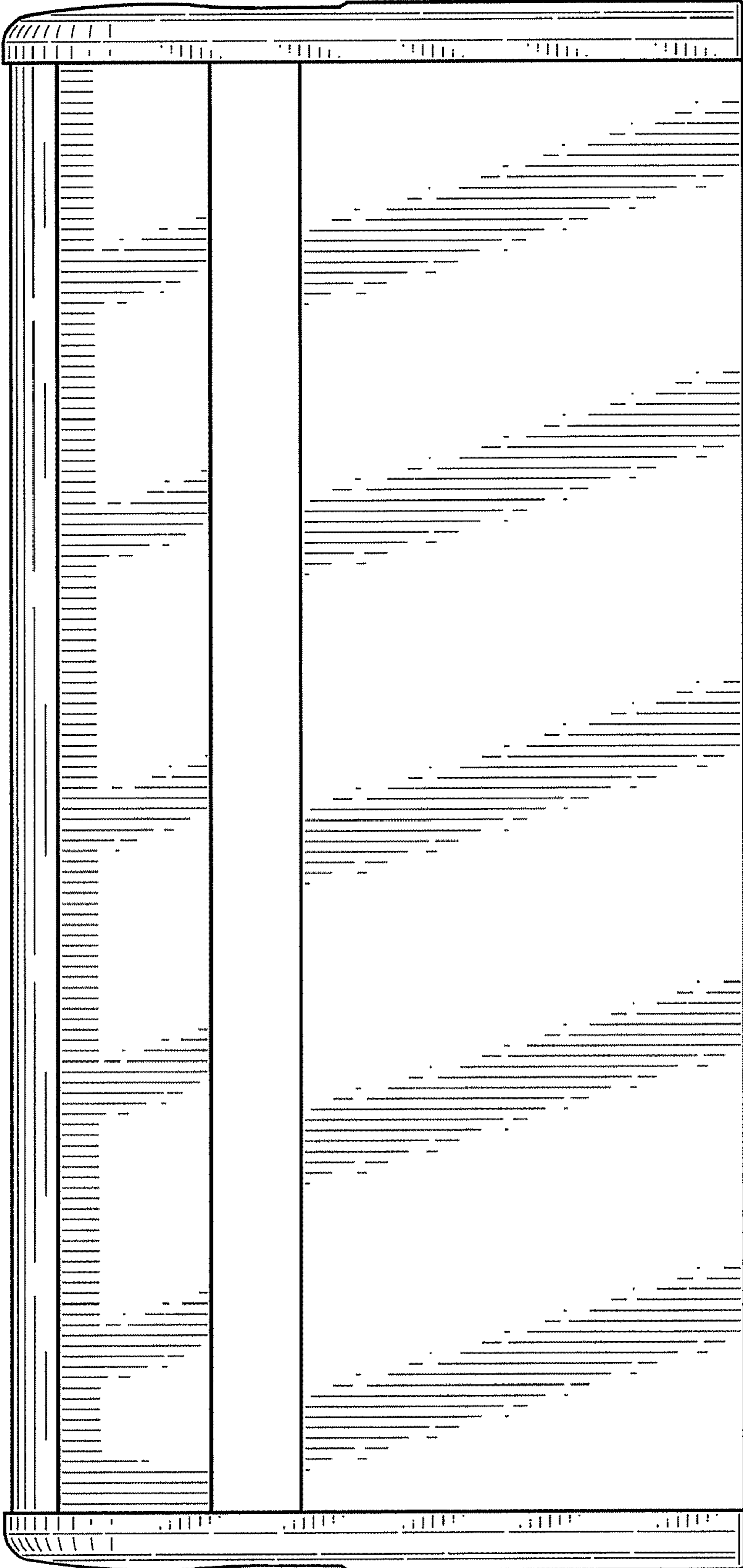


FIG-5

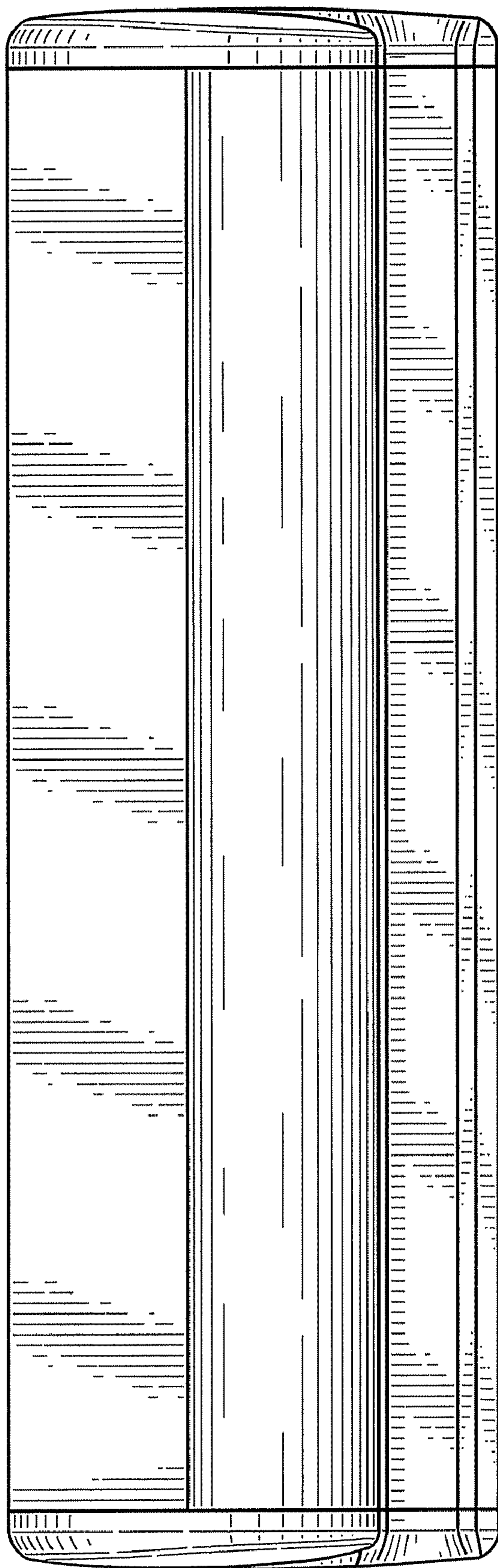


FIG-6