



US00D613779S

(12) **United States Design Patent**
Baratta

(10) **Patent No.:** **US D613,779 S**
(45) **Date of Patent:** **** Apr. 13, 2010**

(54) **DRILL STAND**

(75) Inventor: **Anthony Baratta**, Oak Park, CA (US)

(73) Assignee: **Husqvarna Professional Outdoor Products Inc.**, Charlotte, NC (US)

(**) Term: **14 Years**

(21) Appl. No.: **29/297,098**

(22) Filed: **Nov. 2, 2007**

(51) **LOC (9) Cl.** **15-09**

(52) **U.S. Cl.** **D15/132**

(58) **Field of Classification Search** D8/61,
D8/70, 71; D15/132, 140; 175/20, 202,
175/203, 220; 408/9, 12, 16, 17, 75, 76,
408/87, 90, 129, 132, 135, 204, 214 S, 234,
408/235, 236, 710, 712

See application file for complete search history.

(56) **References Cited**

U.S. PATENT DOCUMENTS

3,837,757	A *	9/1974	Levine	408/14
D392,534	S *	3/1998	Degen et al.	D15/132
5,765,273	A *	6/1998	Mora et al.	29/560
5,954,460	A *	9/1999	Degen et al.	408/112
D414,669	S *	10/1999	Howard	D15/140
6,692,201	B2 *	2/2004	Soderman	408/111
D497,622	S *	10/2004	Theising et al.	D15/134
2004/0151552	A1 *	8/2004	Baratta	408/135
2007/0217879	A1 *	9/2007	Larsson	408/129

FOREIGN PATENT DOCUMENTS

DE	10230460	A1	1/2004
GB	1235962	A	6/1971
WO	9606714	A1	3/1996

* cited by examiner

Primary Examiner—Sandra Snapp

Assistant Examiner—Patricia Palasik

(74) *Attorney, Agent, or Firm*—Novak Druce + Quigg LLP

(57) **CLAIM**

I claim the ornamental design for a drill stand, as shown and described.

DESCRIPTION

FIG. 1 is a front isometric view of a first embodiment of a drill stand;

FIG. 2 is a right elevational view of the first embodiment of the drill stand;

FIG. 3 is a front elevational view of the first embodiment of the drill stand;

FIG. 4 is a left elevational view of the first embodiment of the drill stand;

FIG. 5 is a back elevational view of the first embodiment of the drill stand;

FIG. 6 is a bottom plan view of the first embodiment of the drill stand;

FIG. 7 is a top plan view of the first embodiment of the drill stand;

FIG. 8 is a front isometric view of a second embodiment of the drill stand;

FIG. 9 is a left elevational view of the second embodiment of the drill stand;

FIG. 10 is a front elevational view of the second embodiment of the drill stand;

FIG. 11 is a right elevational view of the second embodiment of the drill stand;

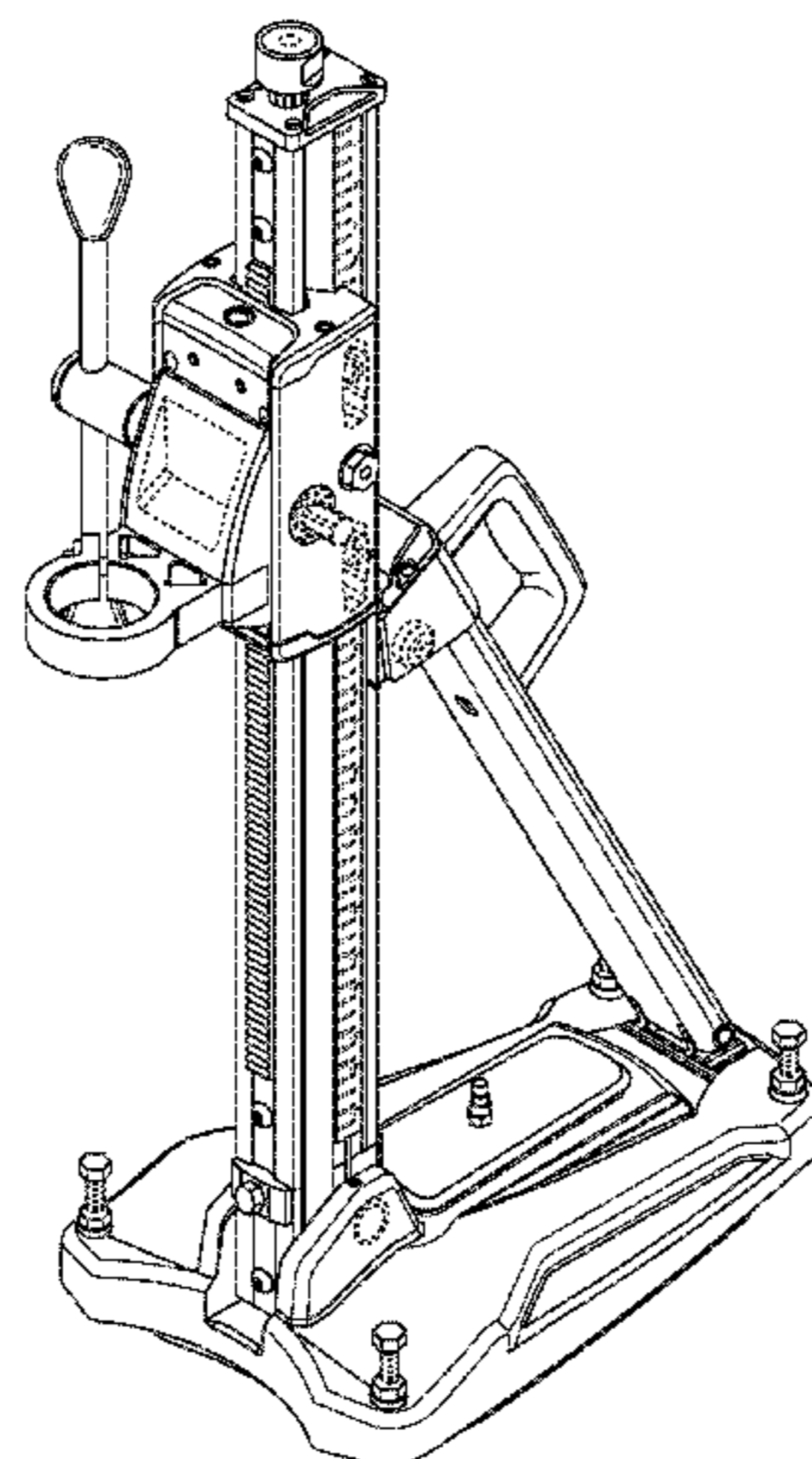
FIG. 12 is a back elevational view of the second embodiment of the drill stand;

FIG. 13 is a bottom plan view of the second embodiment of the drill stand; and,

FIG. 14 is a top plan view of the second embodiment of the drill stand.

The broken lines shown in the drawings, and any boundary created thereby, are for illustrative purposes only and form no part of the claimed design.

1 Claim, 12 Drawing Sheets



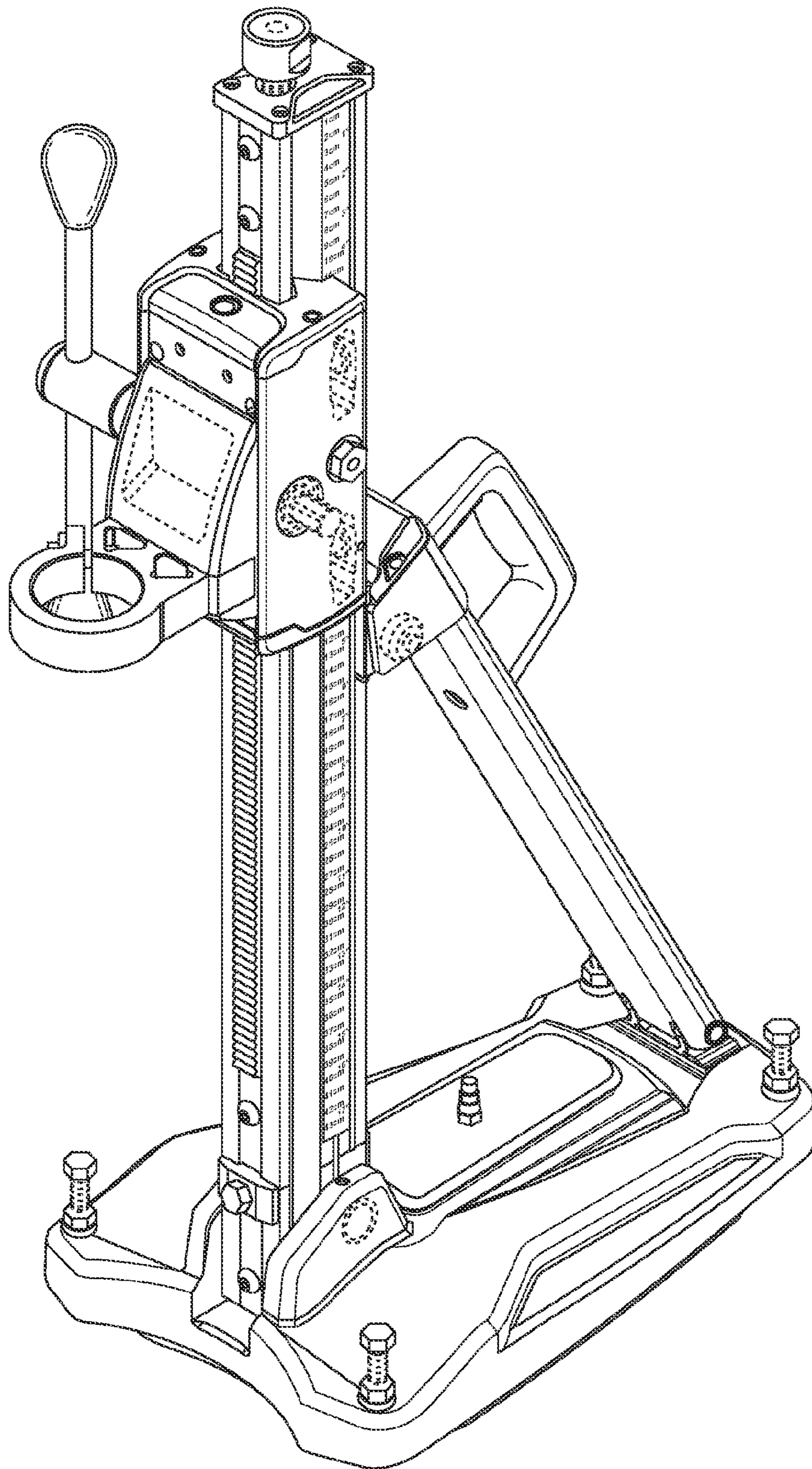


FIG. 1

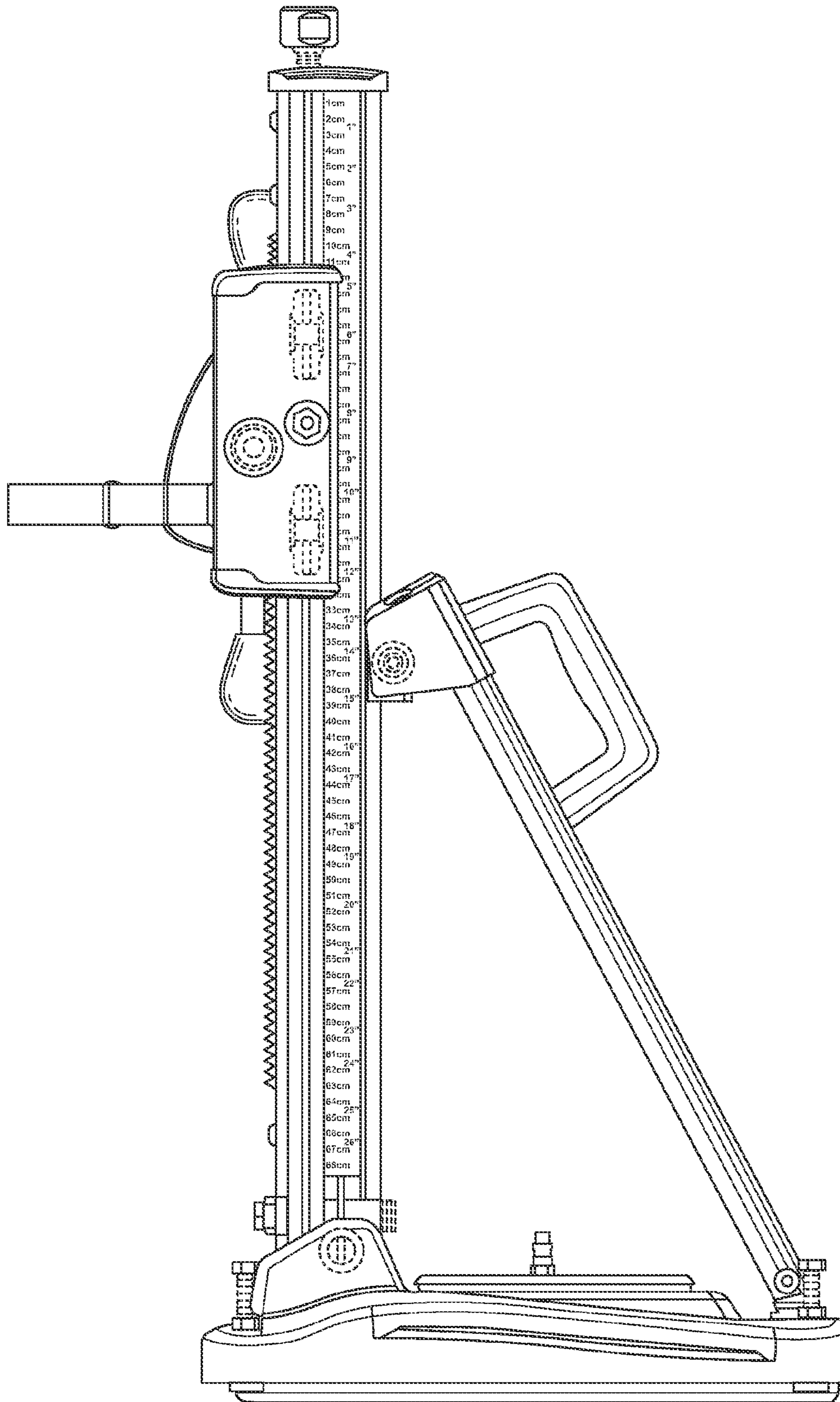


FIG. 2

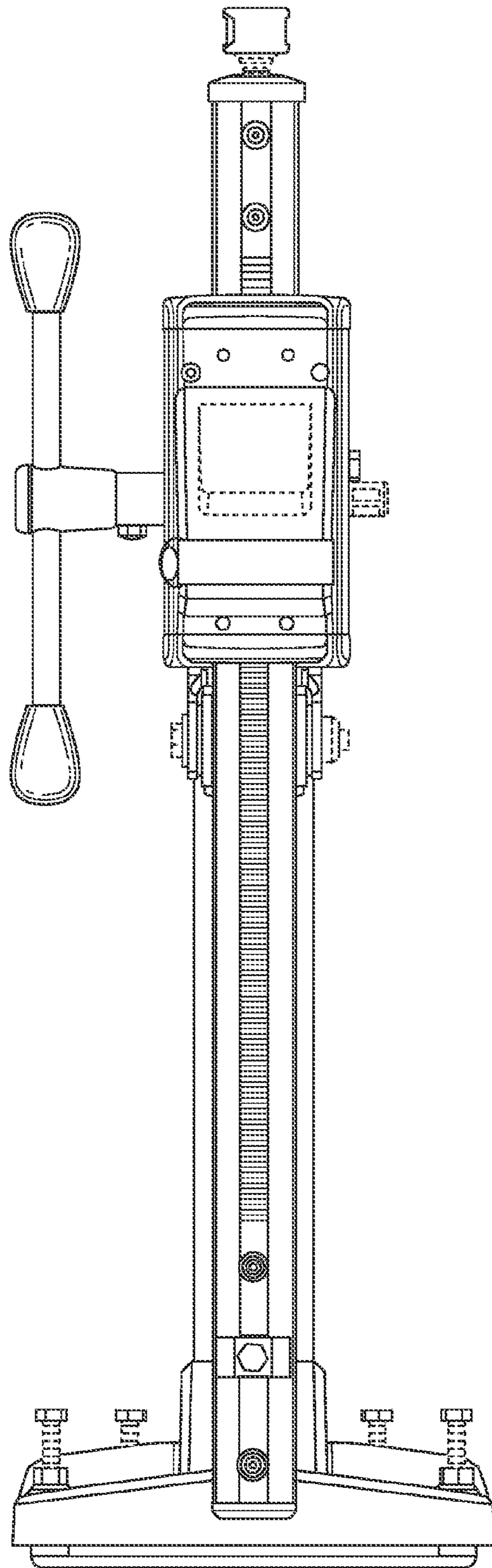


FIG. 3

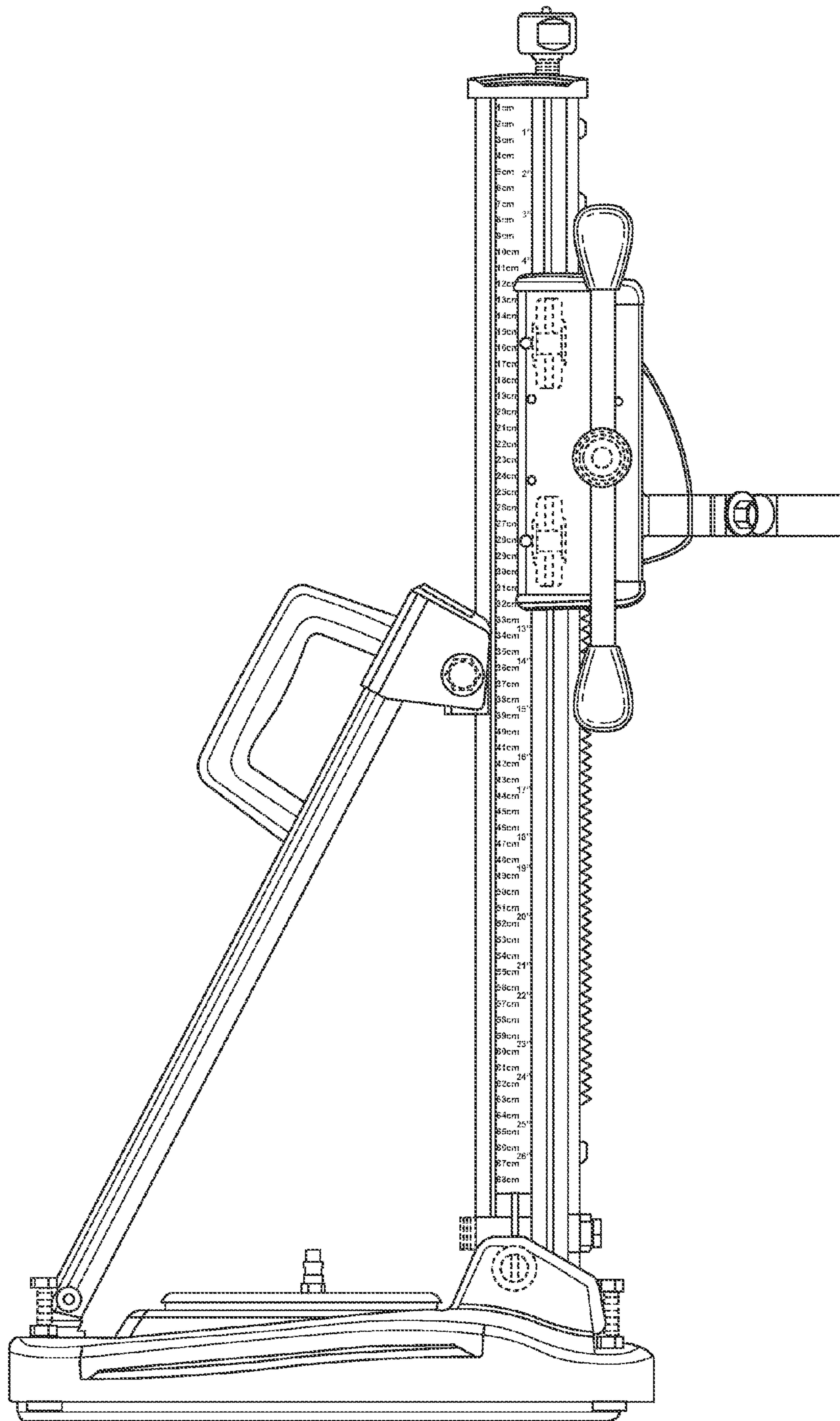


FIG. 4

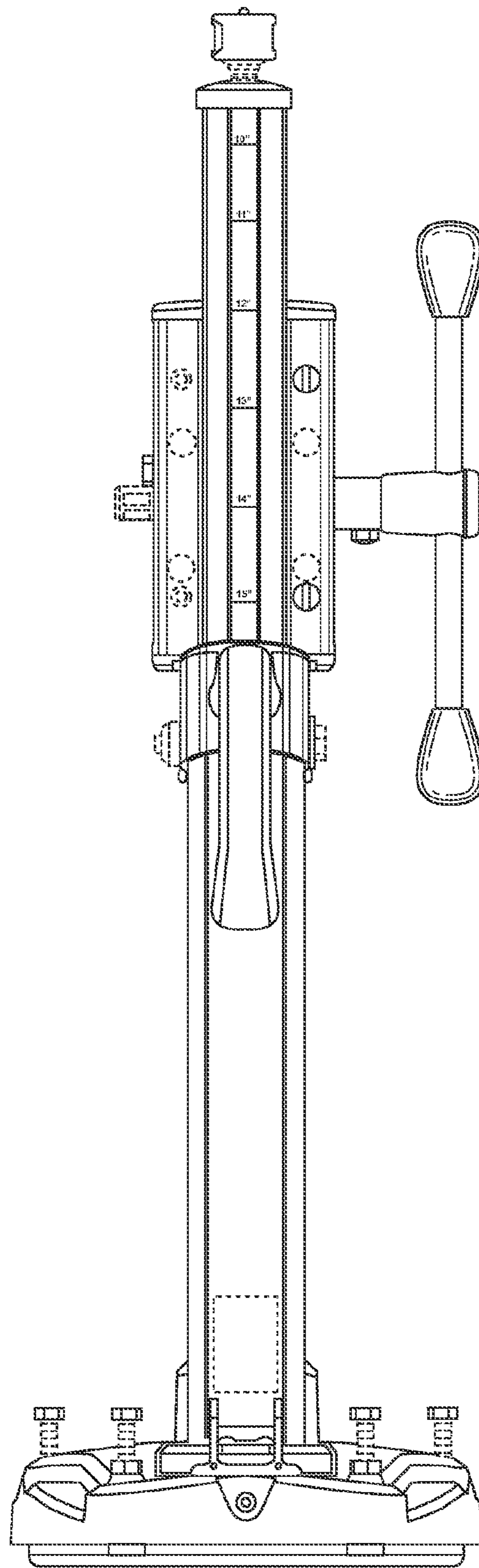


FIG. 5

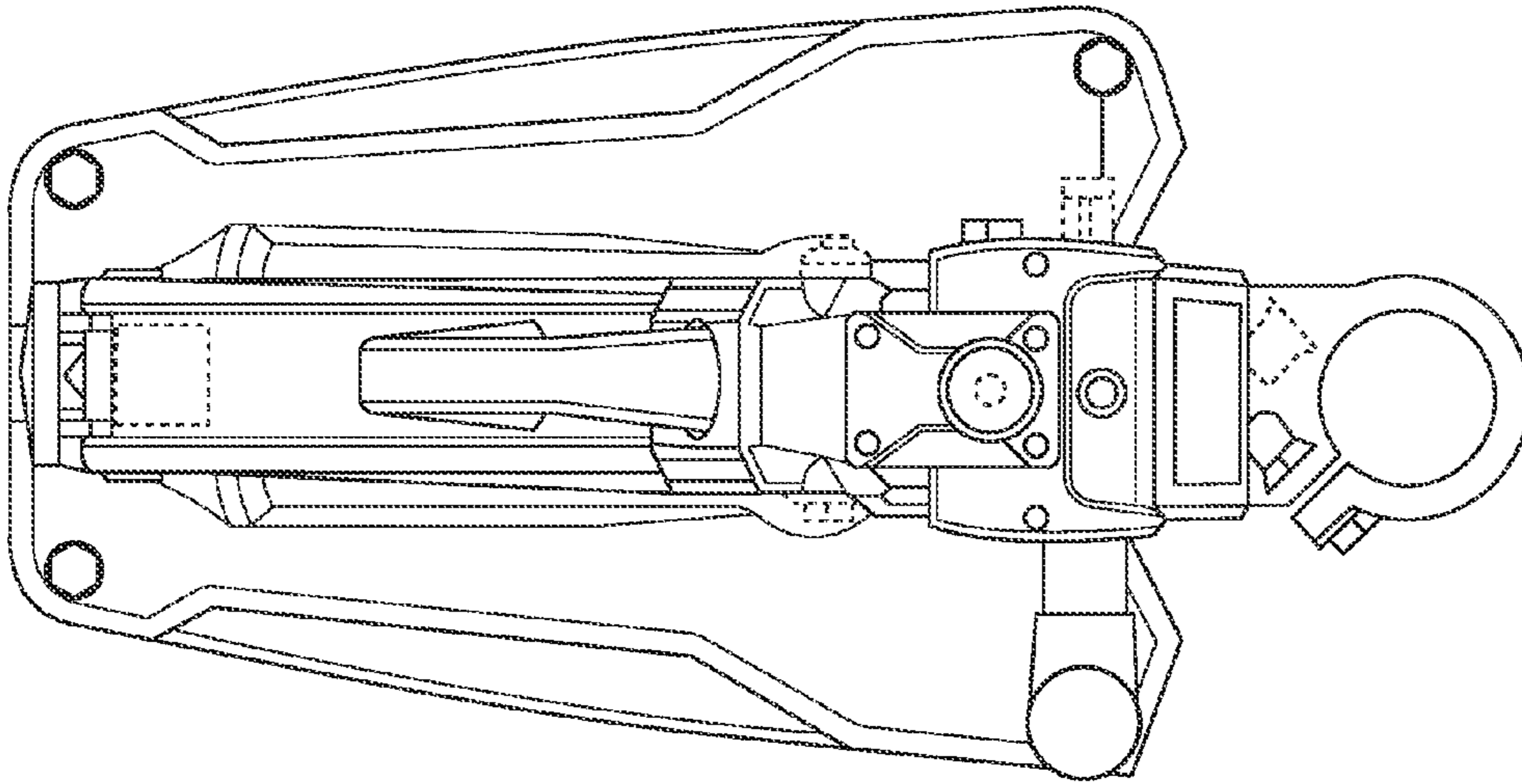


FIG. 7

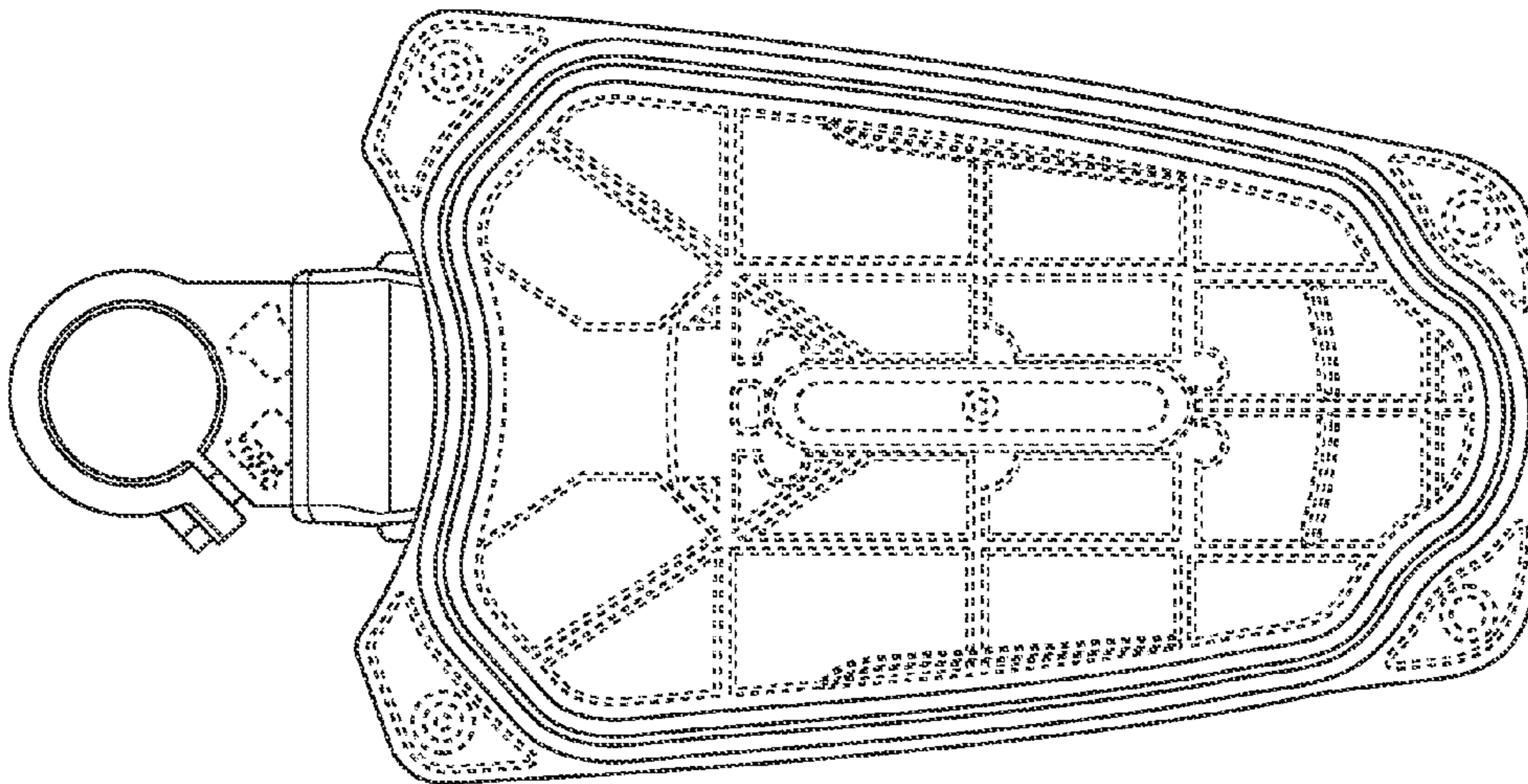


FIG. 6

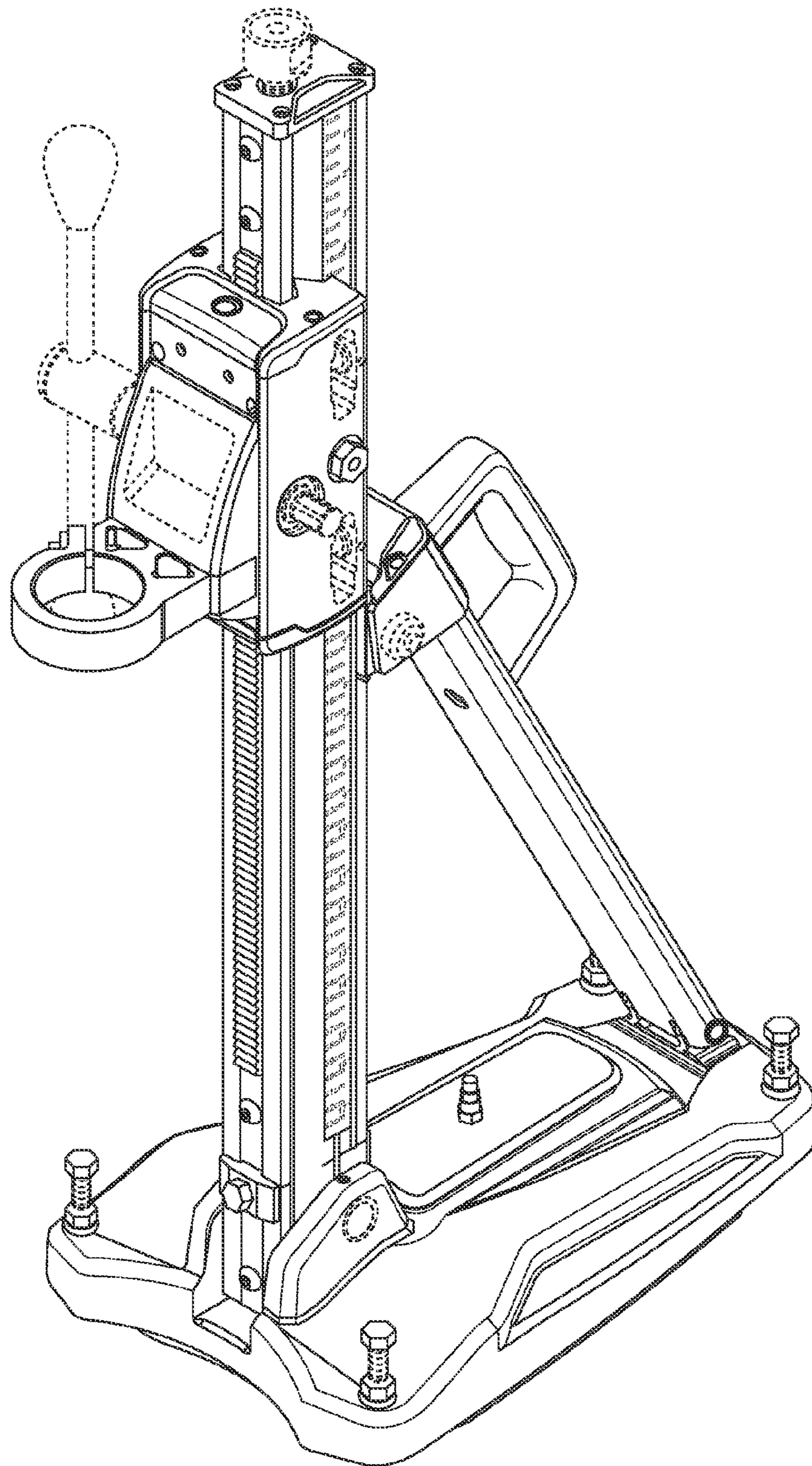


FIG. 8

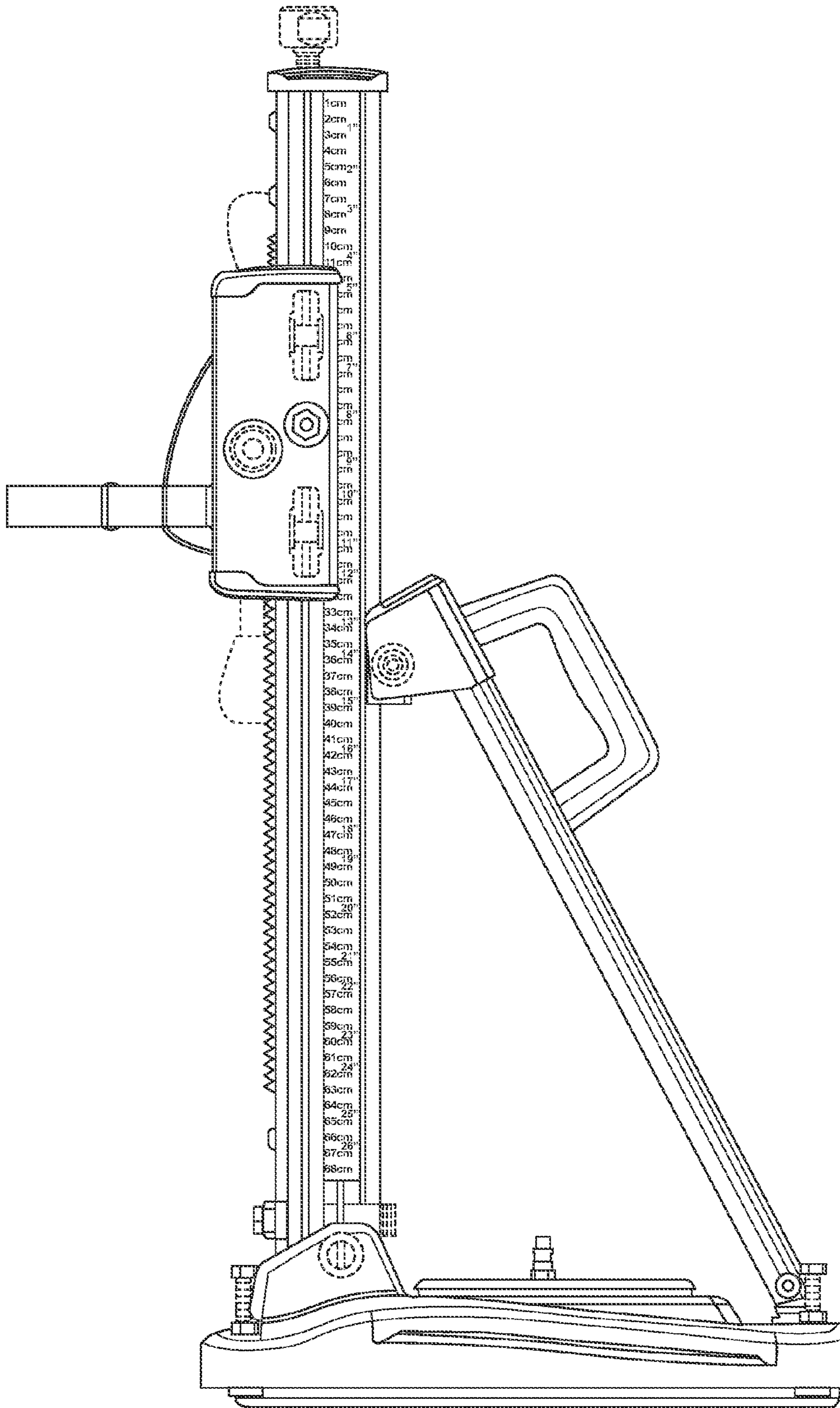


FIG. 9

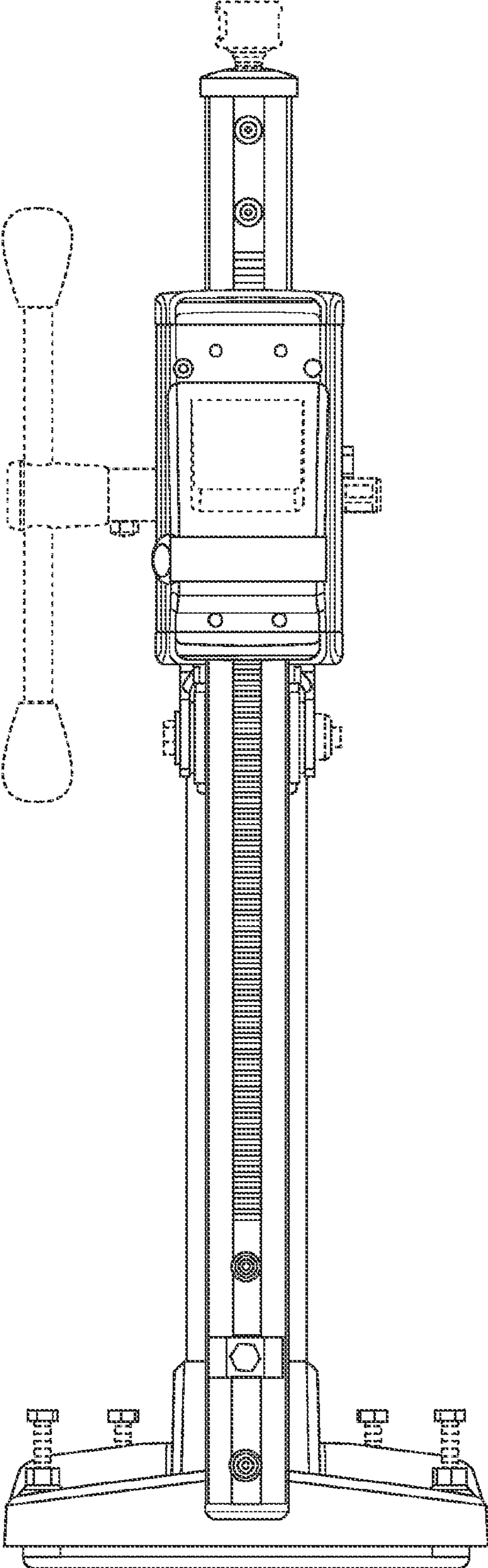


FIG. 10

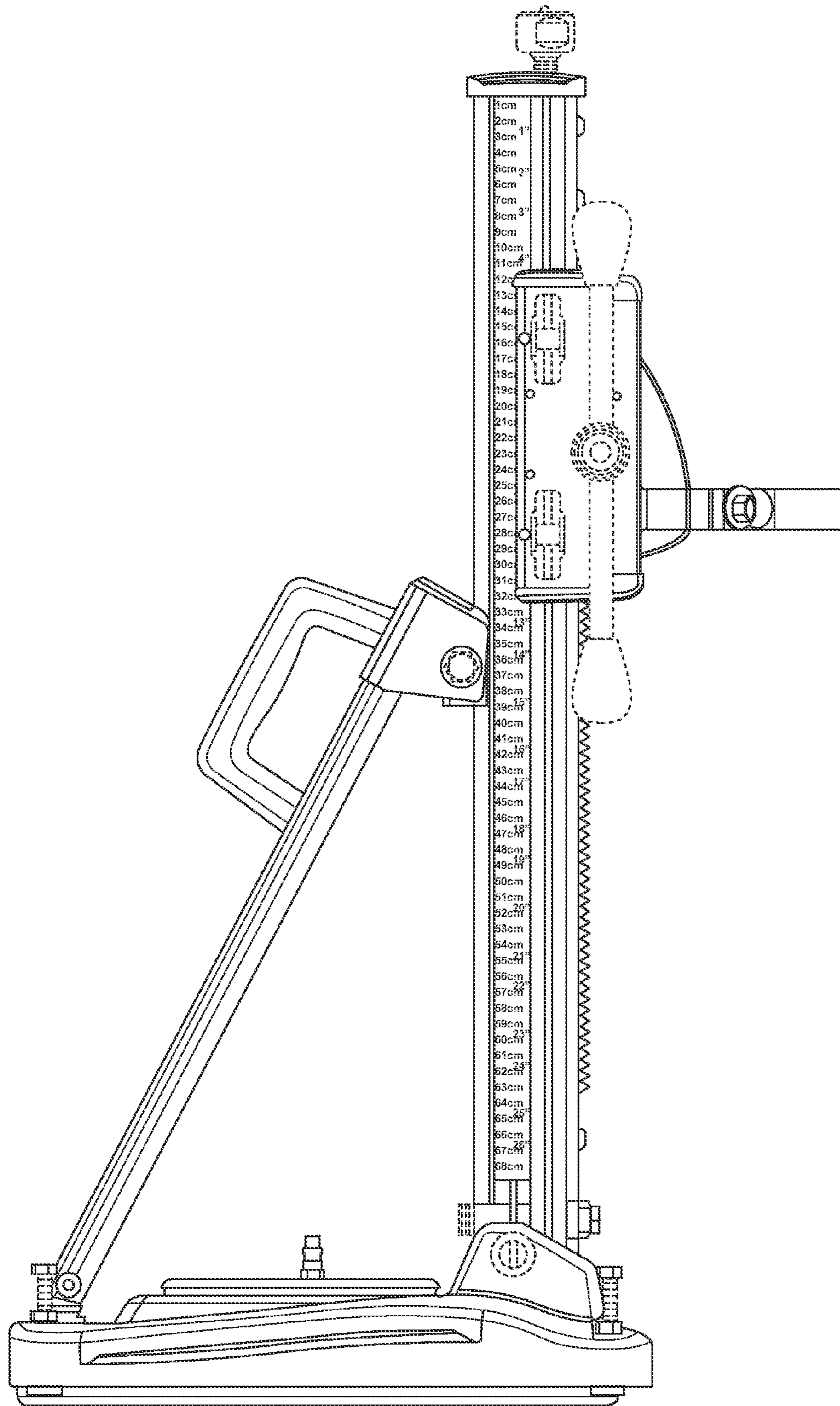


FIG. 11

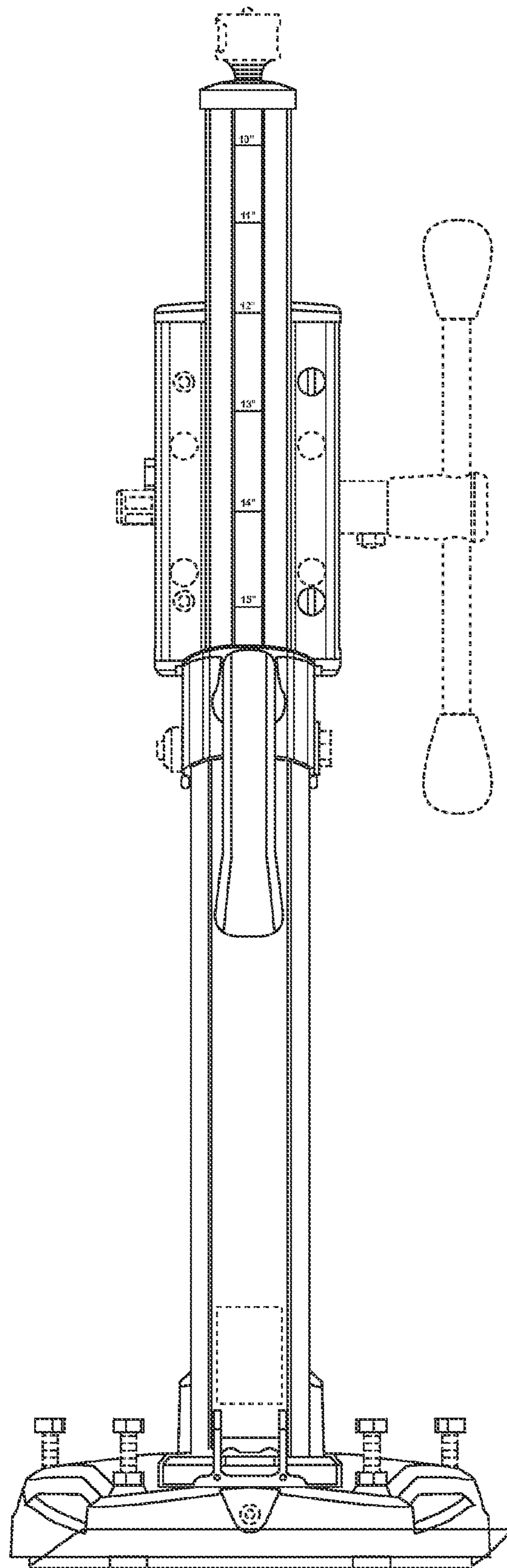


FIG. 12

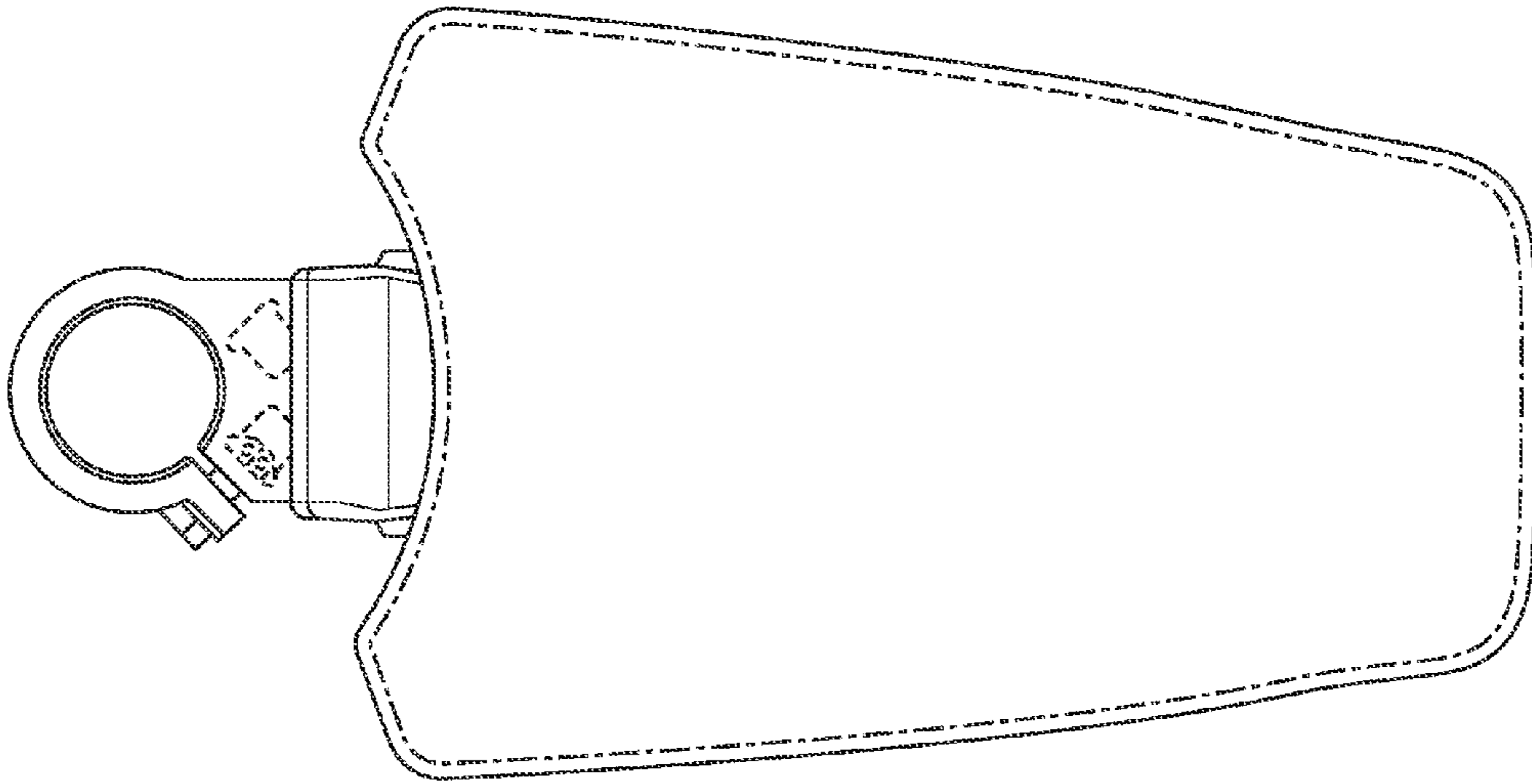


FIG. 14

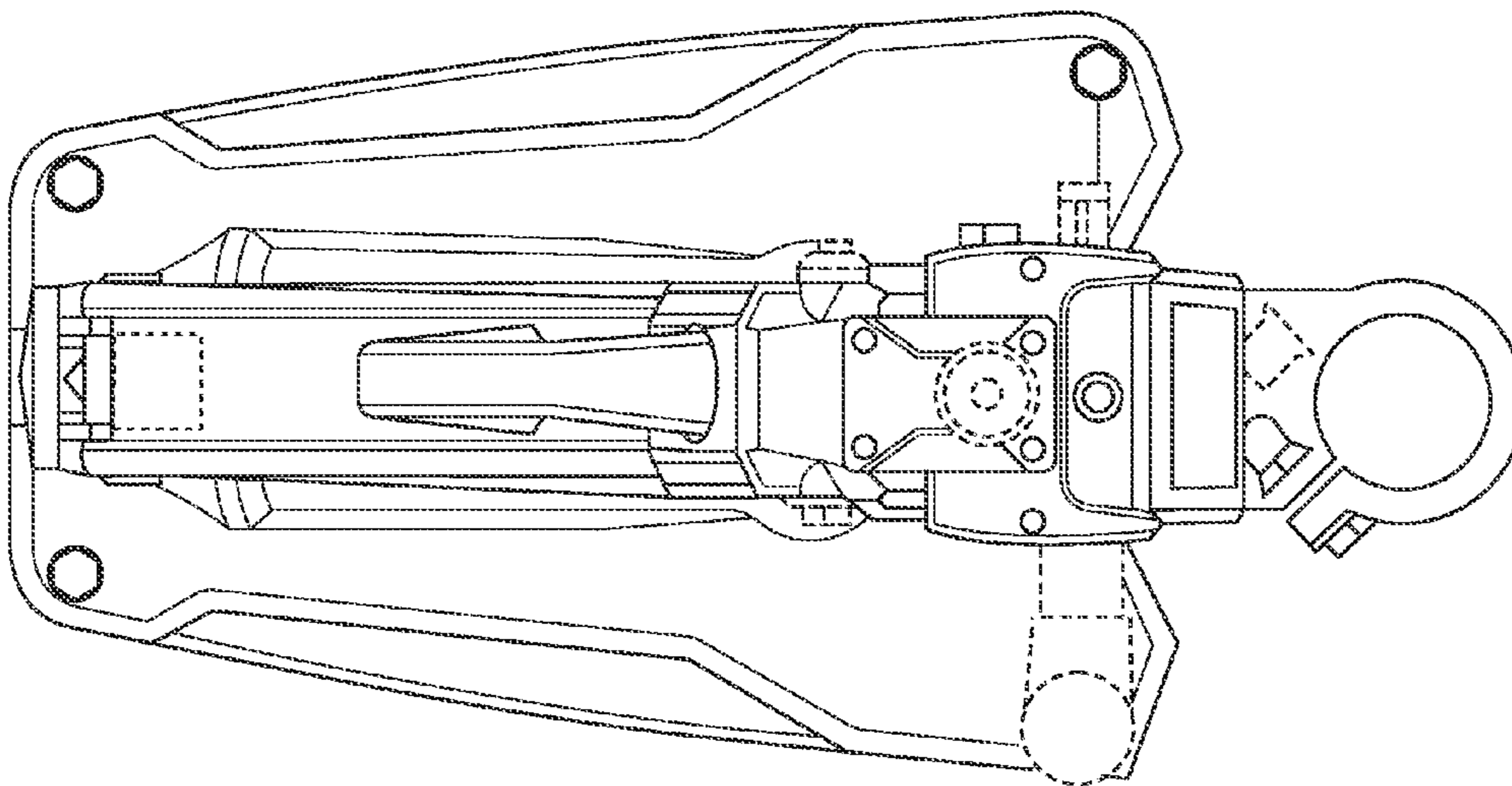


FIG. 13