



US00D613778S

(12) **United States Design Patent**  
**Kristiansen et al.**

(10) **Patent No.:** **US D613,778 S**  
(45) **Date of Patent:** **\*\* Apr. 13, 2010**

(54) **REFRIGERATOR**

(75) Inventors: **Keith Kristiansen**, Edgewater, NJ (US);  
**Roland Charriez**, Edgewater, NJ (US);  
**David Demar**, Edgewater, NJ (US)

(73) Assignee: **LG Electronics Inc.**, Seoul (KR)

(\*\*) Term: **14 Years**

(21) Appl. No.: **29/340,634**

(22) Filed: **Jul. 22, 2009**

(51) **LOC (9) Cl.** ..... **15-07**

(52) **U.S. Cl.** ..... **D15/86**

(58) **Field of Classification Search** ..... D15/79,  
D15/81, 85, 86, 87, 88; 62/3.6, 3.63, 3.64,  
62/293, 331, 371, 440-445, 467; 312/112-119,  
312/236, 400-408

See application file for complete search history.

(56) **References Cited**

**U.S. PATENT DOCUMENTS**

D508,059 S \* 8/2005 Seok et al. .... D15/86  
D522,540 S \* 6/2006 Cho et al. .... D15/86  
D540,832 S \* 4/2007 Wang et al. .... D15/86  
D540,833 S \* 4/2007 Wang et al. .... D15/86  
D543,560 S \* 5/2007 Seum et al. .... D15/86

D556,223 S \* 11/2007 Wang et al. .... D15/86  
D557,292 S \* 12/2007 Lee et al. .... D15/86  
D570,884 S \* 6/2008 Yang et al. .... D15/86  
D578,555 S \* 10/2008 Yeo et al. .... D15/85  
D594,886 S \* 6/2009 Wang et al. .... D15/86

\* cited by examiner

*Primary Examiner*—Stella M Reid

*Assistant Examiner*—Shanda C. Hill

(74) *Attorney, Agent, or Firm*—Morgan, Lewis & Bockius LLP

(57) **CLAIM**

The ornamental design for a refrigerator, as shown and described.

**DESCRIPTION**

FIG. 1 is a perspective view of a refrigerator showing our new design;

FIG. 2 is a front view thereof;

FIG. 3 is a rear view thereof;

FIG. 4 is a left side view thereof where the right side view is a mirror image;

FIG. 5 is a top plan view thereof; and,

FIG. 6 is a bottom plan view thereof.

**1 Claim, 6 Drawing Sheets**

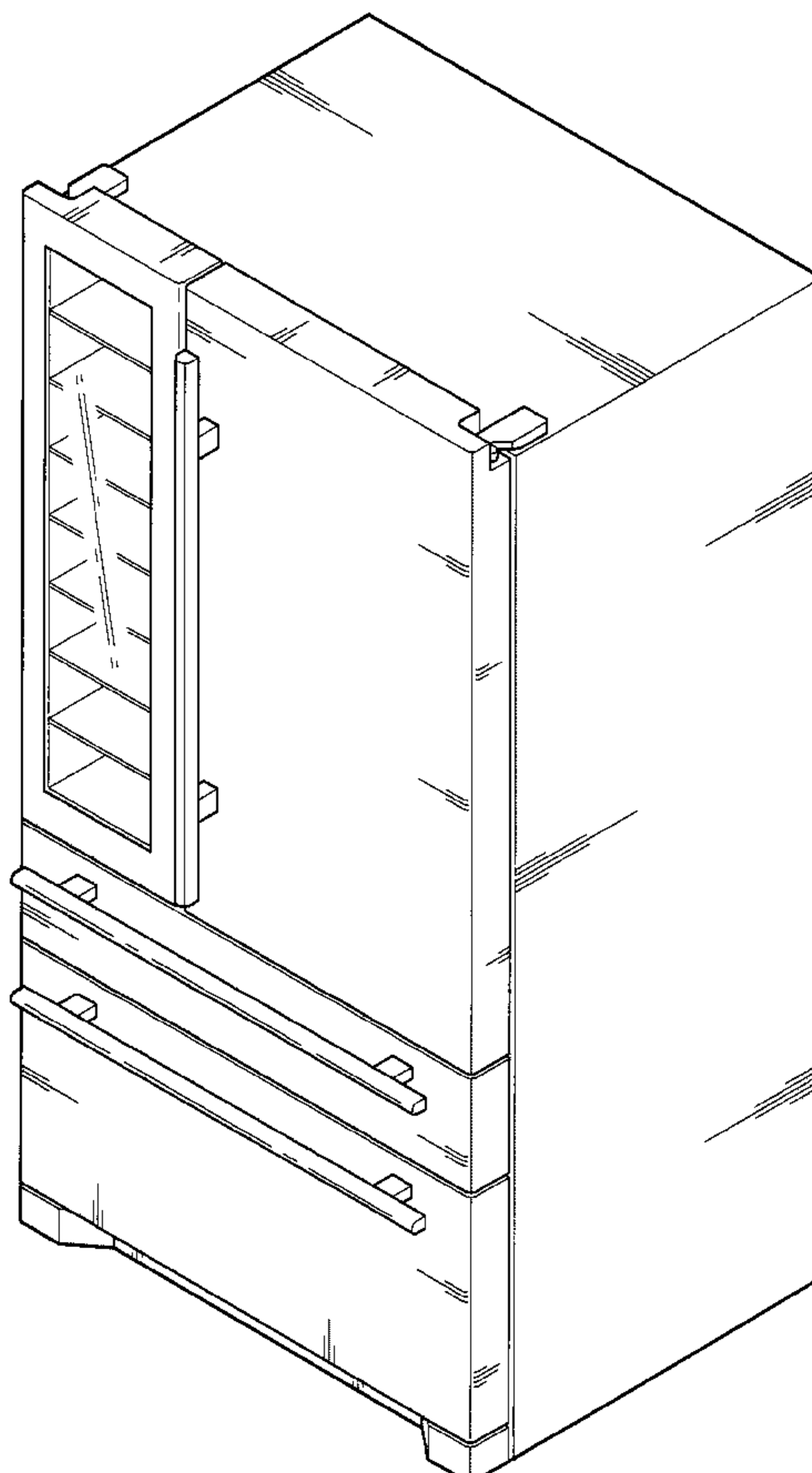


FIG. 1

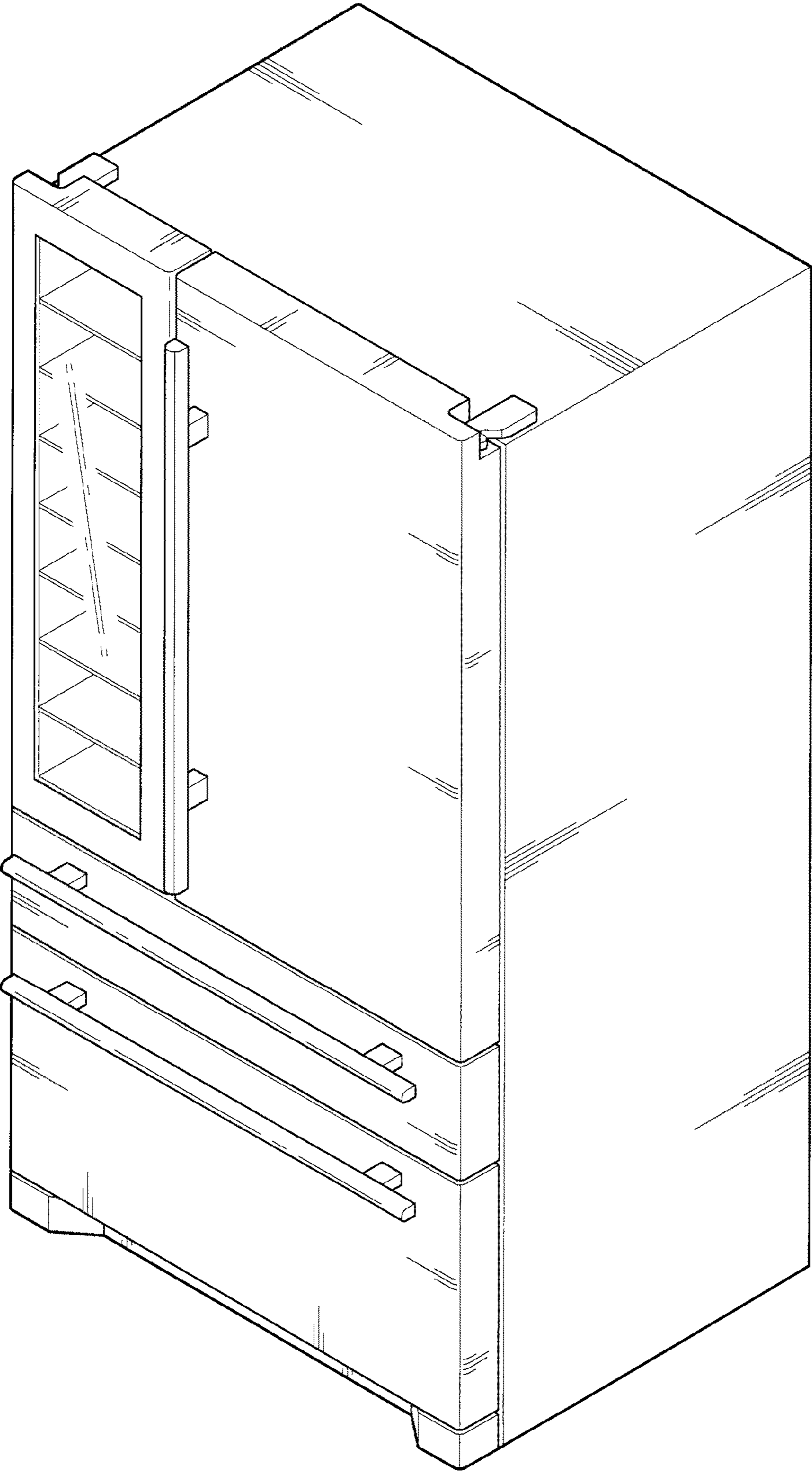


FIG. 2

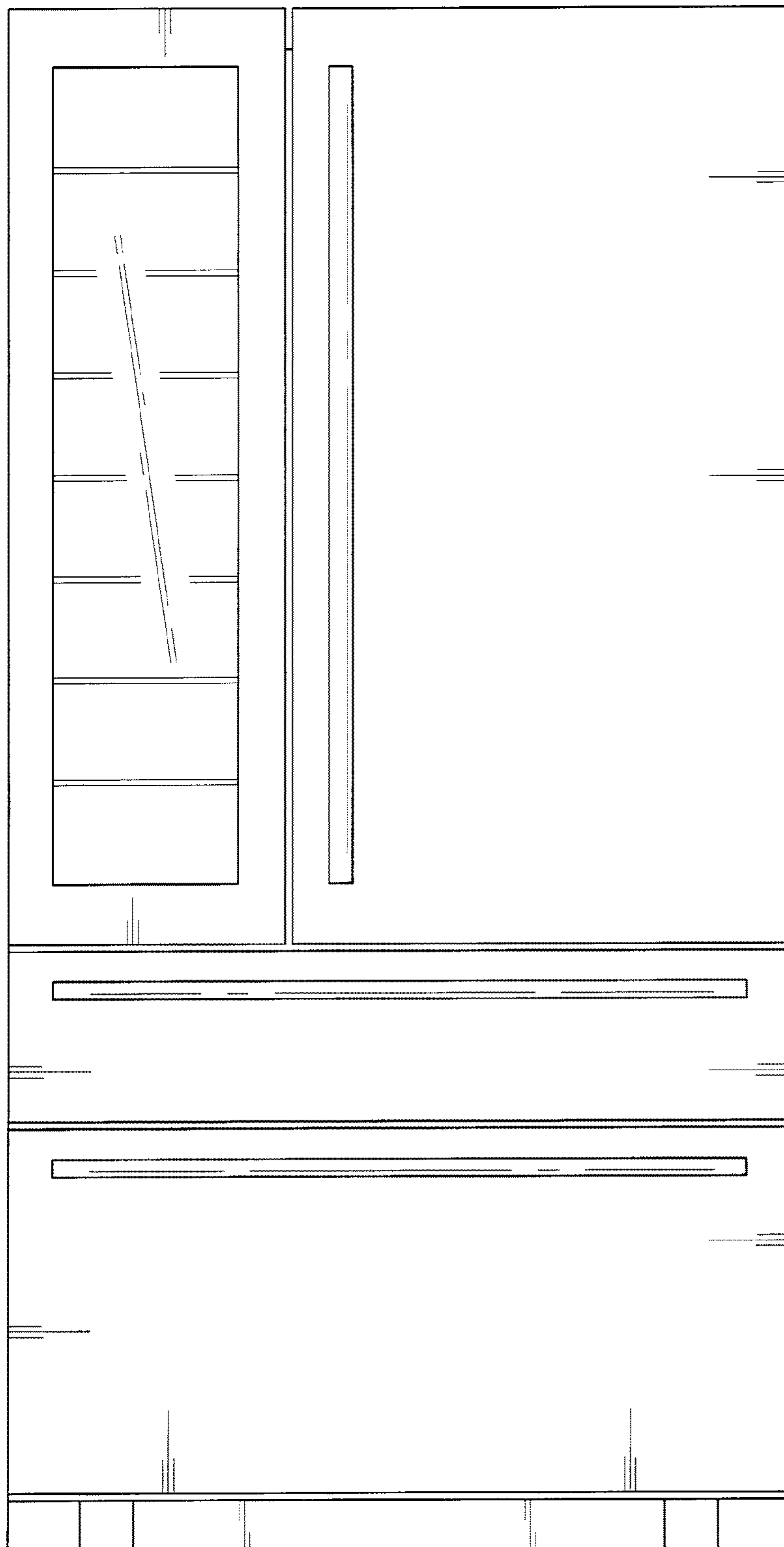


FIG. 3

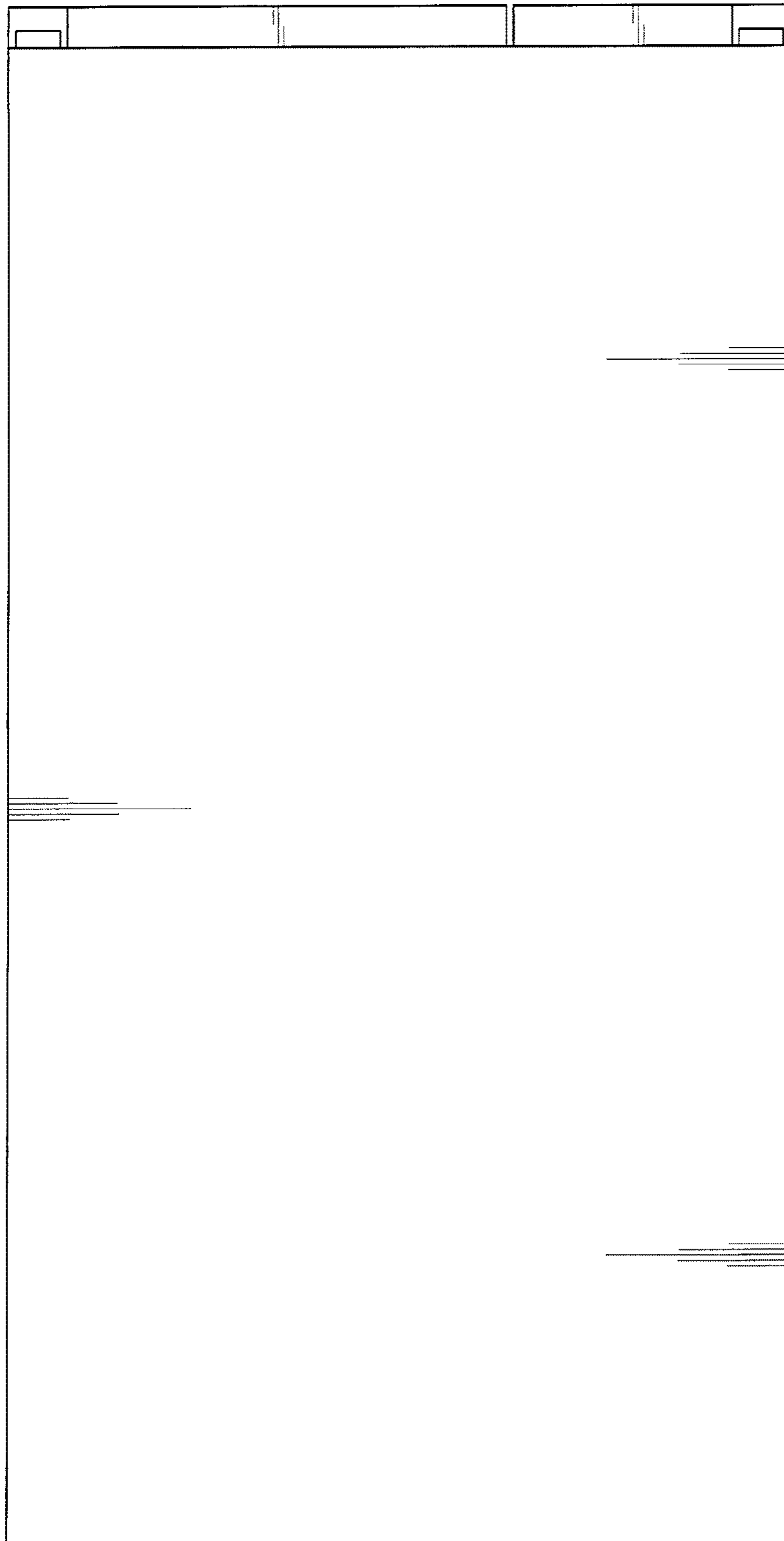


FIG. 4

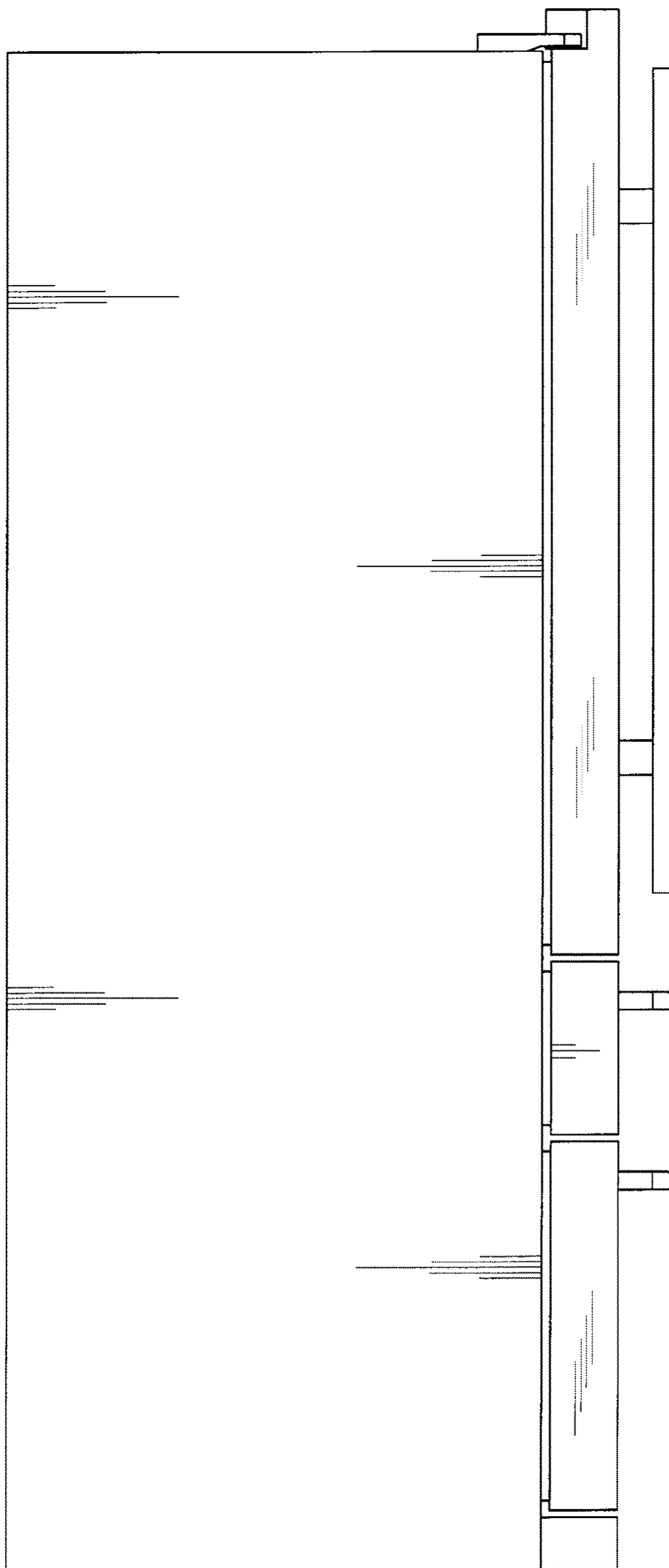


FIG. 5

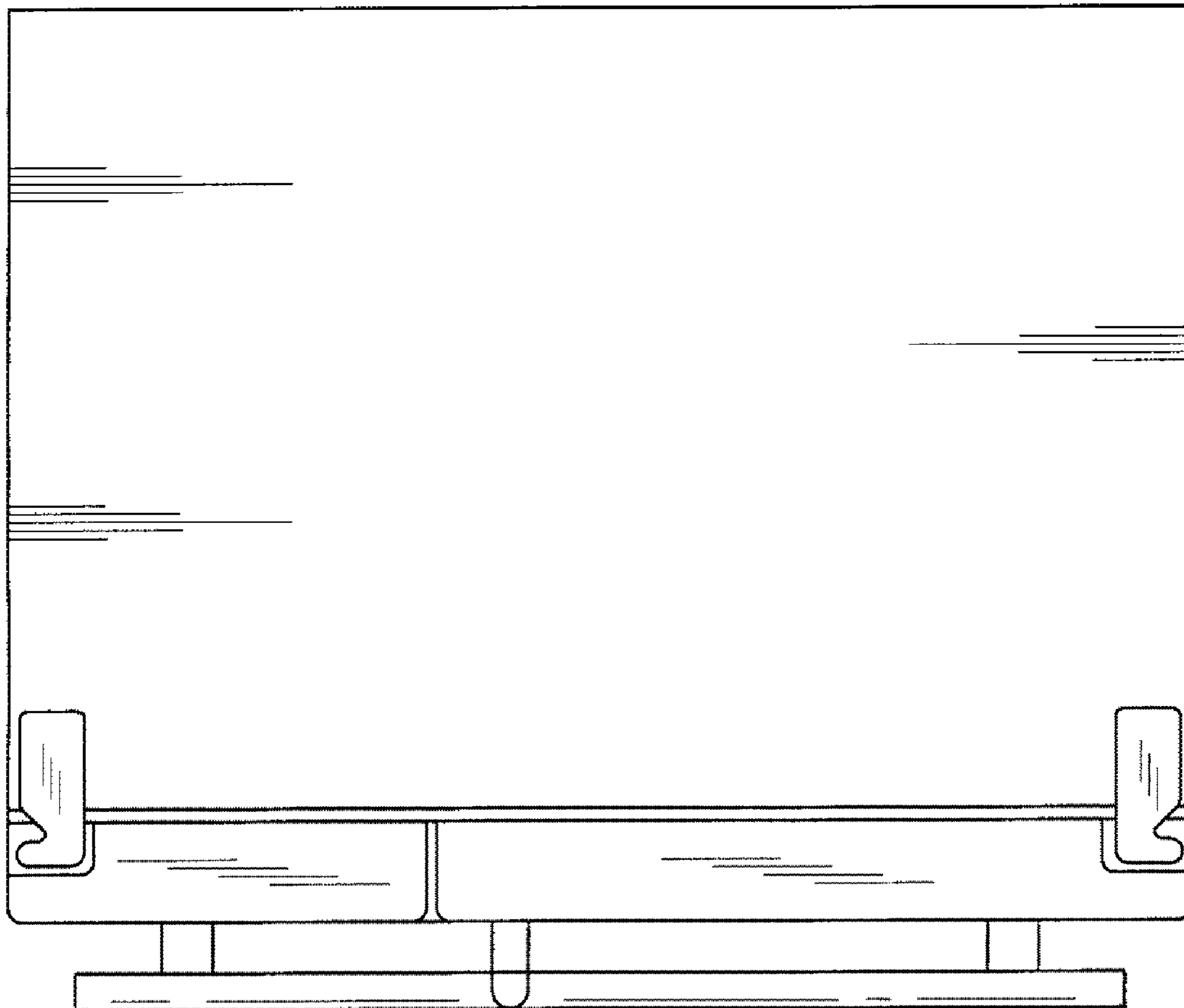


FIG. 6

