



US00D613777S

(12) **United States Design Patent**
Bianco et al.

(10) **Patent No.:** **US D613,777 S**
(45) **Date of Patent:** **** Apr. 13, 2010**

(54) **TRACTOR**

(75) Inventors: **Guido Bianco**, Turin (IT); **Peter Theo Ernest Jansen**, Piossasco (IT)

(73) Assignee: **CNH America LLC**, New Holland, PA (US)

(**) Term: **14 Years**

(21) Appl. No.: **29/340,032**

(22) Filed: **Jul. 13, 2009**

(30) **Foreign Application Priority Data**

Jan. 16, 2009 (EP) 001070791-0001

(51) **LOC (9) Cl.** **15-03**

(52) **U.S. Cl.** **D15/33; D15/23**

(58) **Field of Classification Search** D15/10,
D15/14-17, 22-26, 28, 31, 33; 56/13.4,
56/13.3, 15.8, 15.9, 16.1, 16.7, 175, 202;
180/89.1, 89.12, 900

See application file for complete search history.

(56) **References Cited**

U.S. PATENT DOCUMENTS

D247,624 S * 3/1978 Emundts et al. D15/23
D256,017 S * 7/1980 Emundts et al. D15/23
D256,801 S * 9/1980 Skyer et al. D15/33
D274,524 S * 7/1984 Koval et al. D15/23
D387,068 S * 12/1997 Kato et al. D15/23
D391,581 S * 3/1998 Kato et al. D15/23

D439,586 S * 3/2001 Moehle et al. D15/33
D440,234 S * 4/2001 Katoh et al. D15/23
D489,381 S * 5/2004 Mistry et al. D15/23
D498,245 S * 11/2004 Kuwae et al. D5/23
D519,130 S * 4/2006 Higashikawa et al. D15/23
D519,131 S * 4/2006 Kuwae et al. D15/23
D527,026 S * 8/2006 Kuwae et al. D15/23
D555,674 S * 11/2007 Kuwae D15/23

* cited by examiner

Primary Examiner—Ian Simmons

Assistant Examiner—Mark A Goodwin

(74) *Attorney, Agent, or Firm*—Patrick M. Sheldrake; John William Stader; Michael G. Harms

(57) **CLAIM**

We claim the ornamental design for the tractor, as shown and described.

DESCRIPTION

FIG. 1 is a top front right side perspective view of a tractor showing our new design;

FIG. 2 is a front view thereof;

FIG. 3 is a rear view thereof;

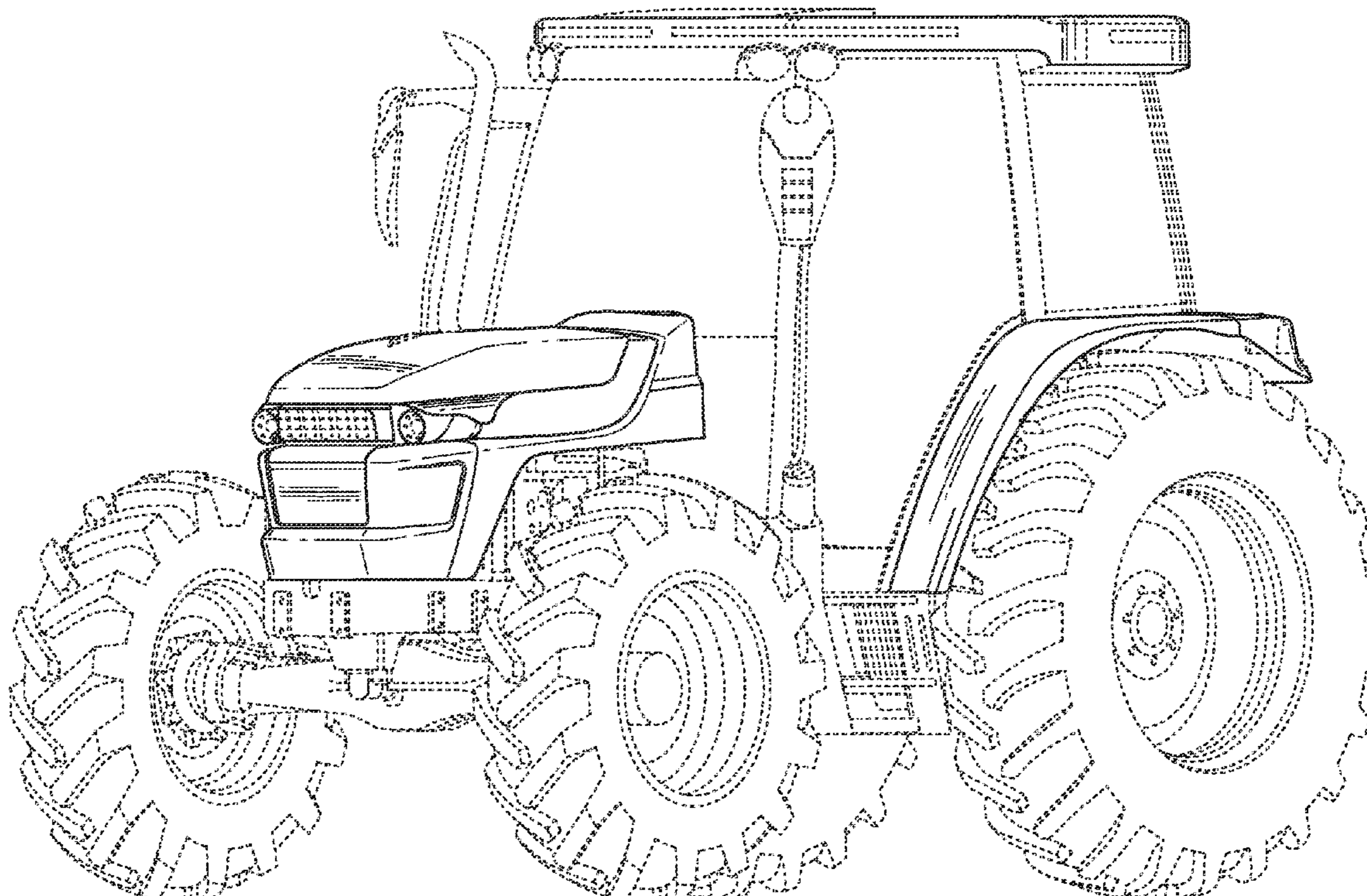
FIG. 4 is a left side view thereof;

FIG. 5 is a right side view thereof; and,

FIG. 6 is a top plan view thereof.

The broken lines are for illustrative purposes only and form no part of the claimed design.

1 Claim, 6 Drawing Sheets



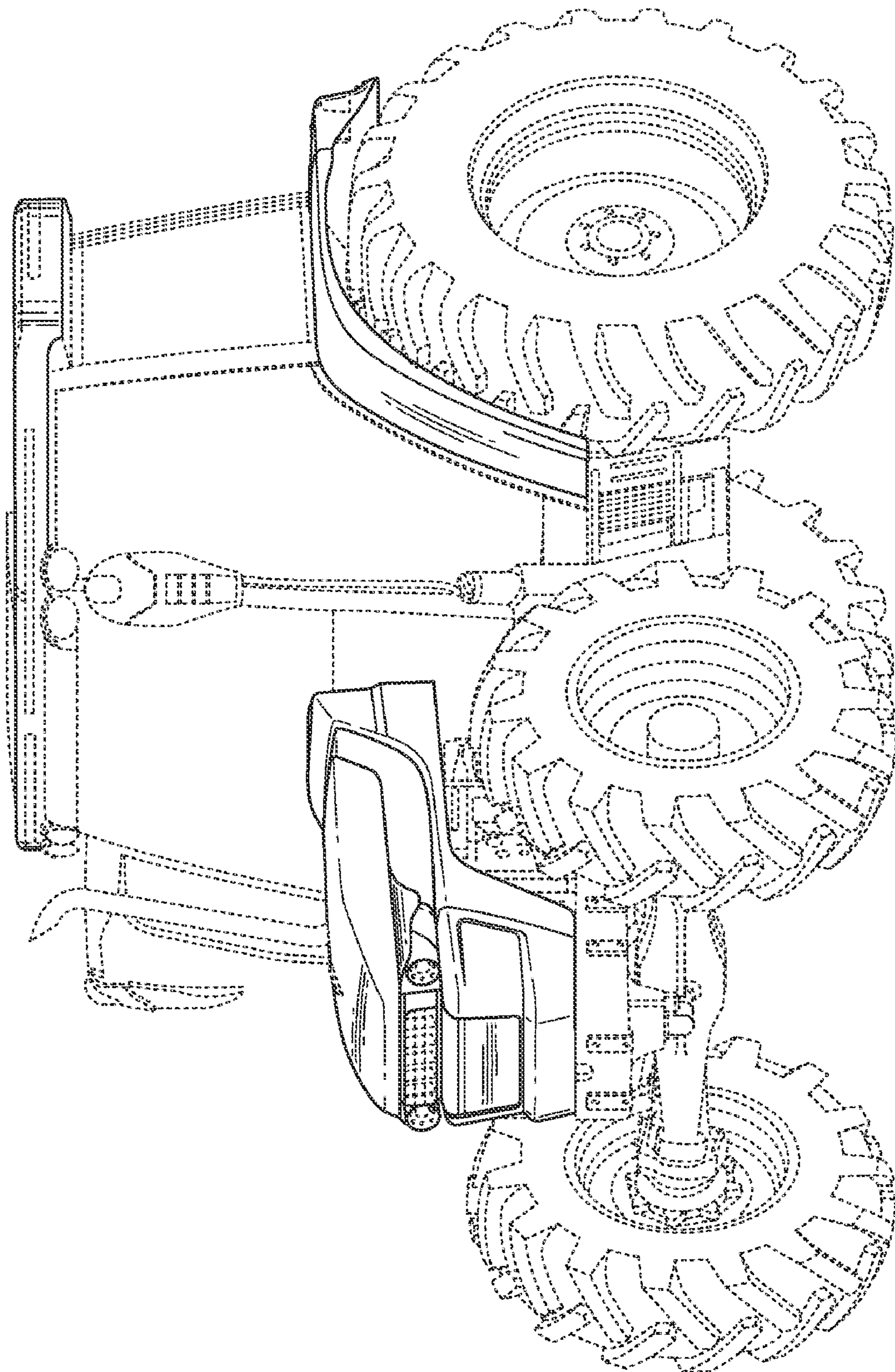


FIG. 1

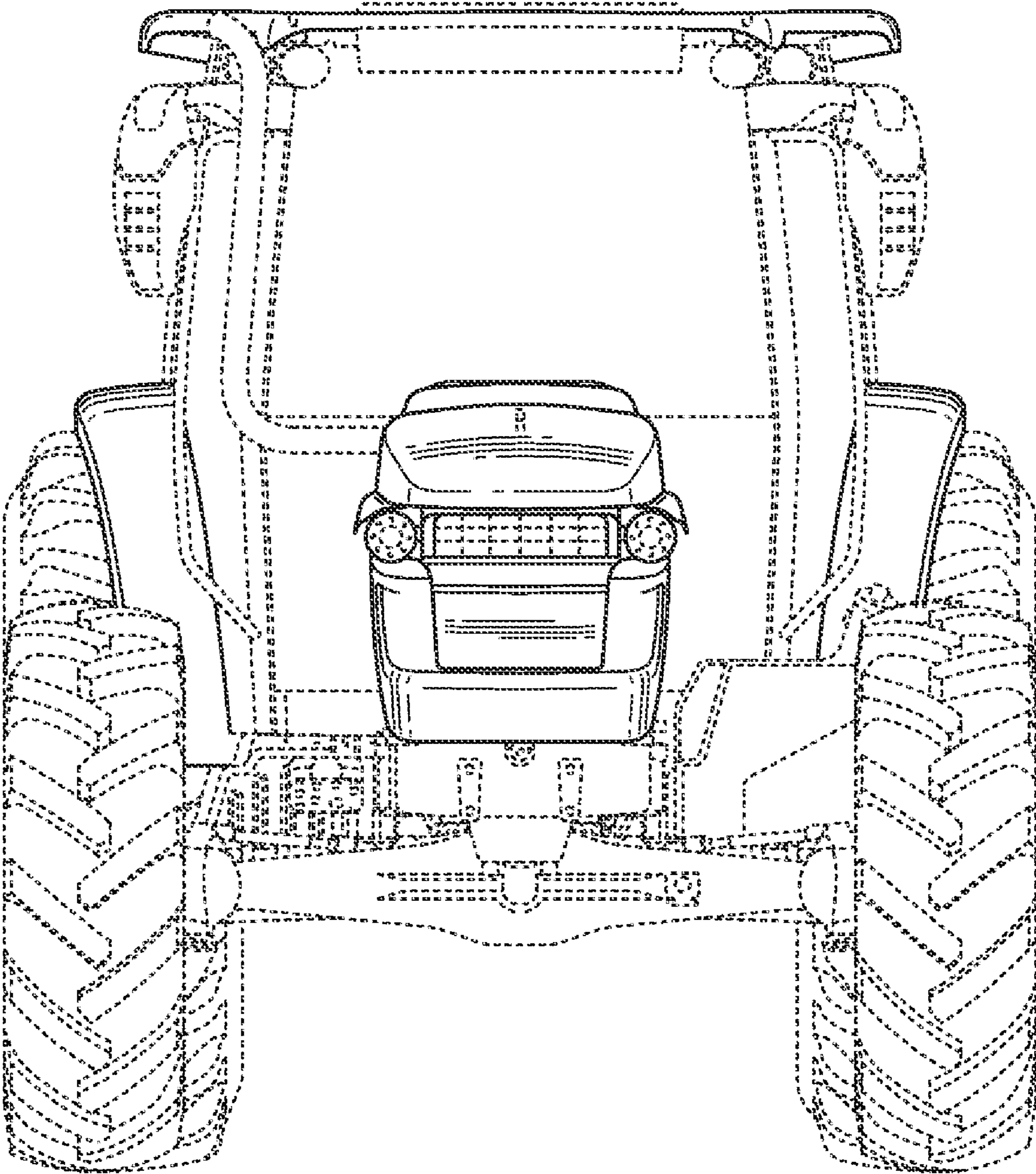


FIG. 2

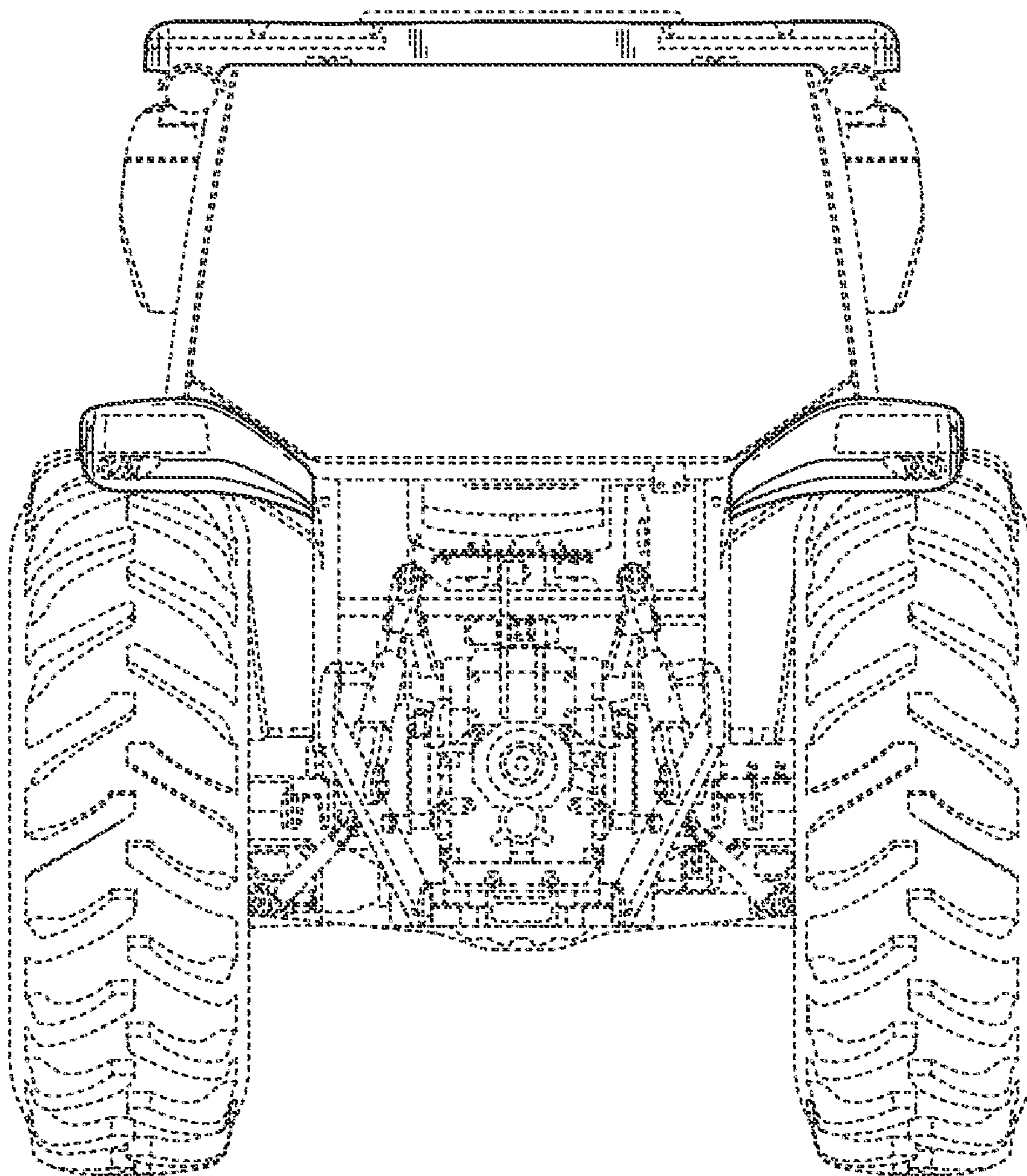


FIG. 3

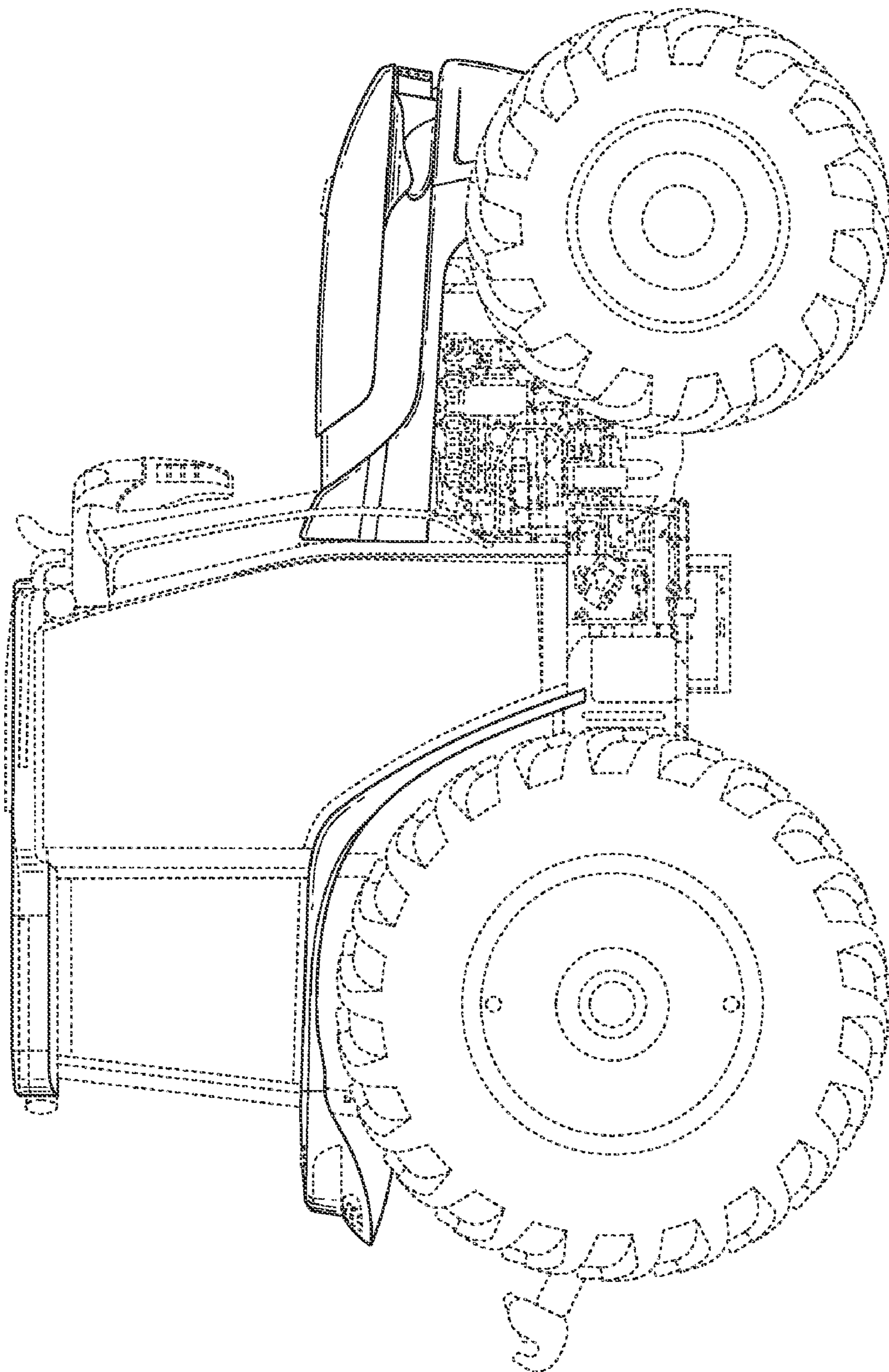


FIG. 4

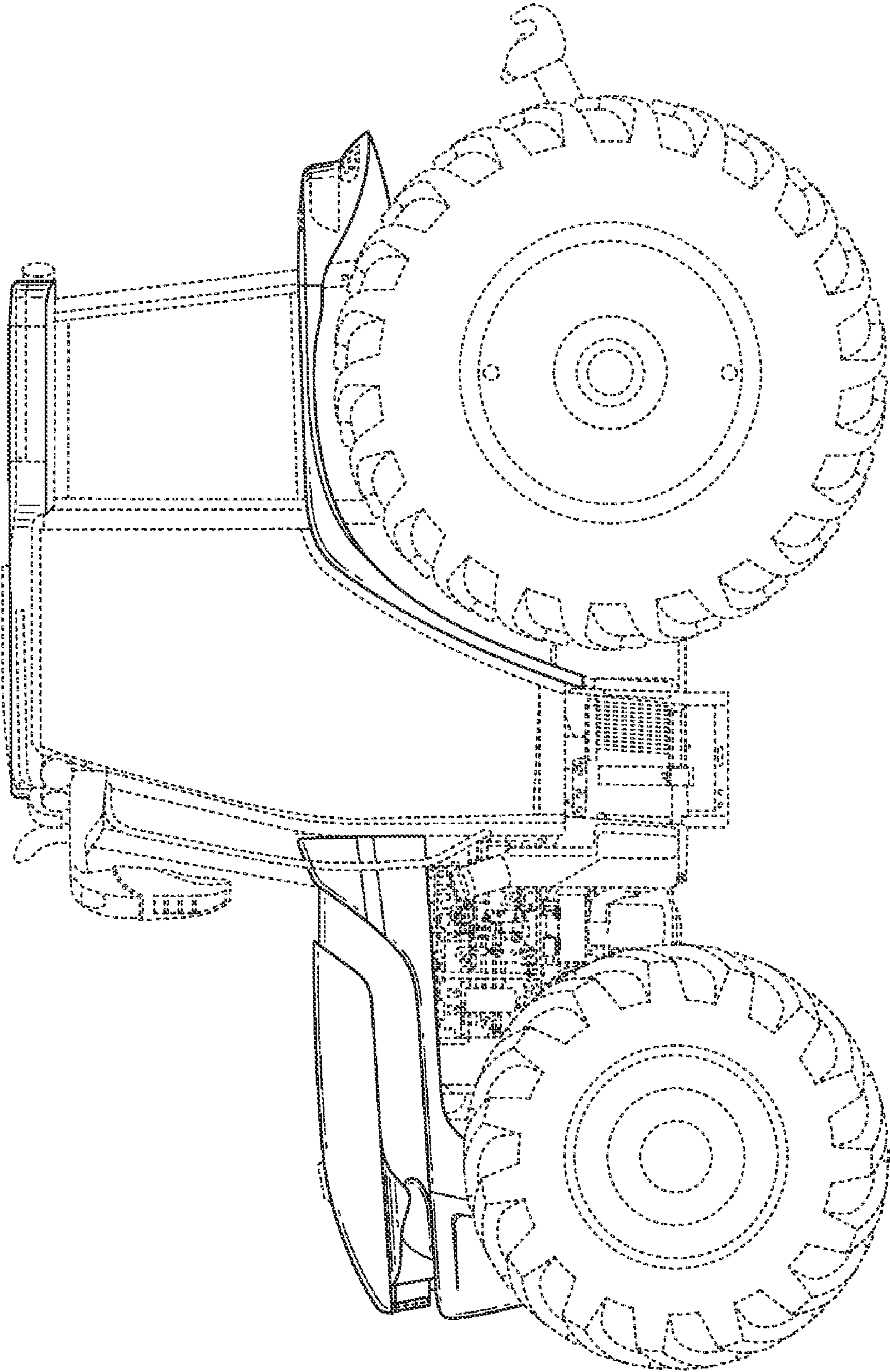


FIG. 5

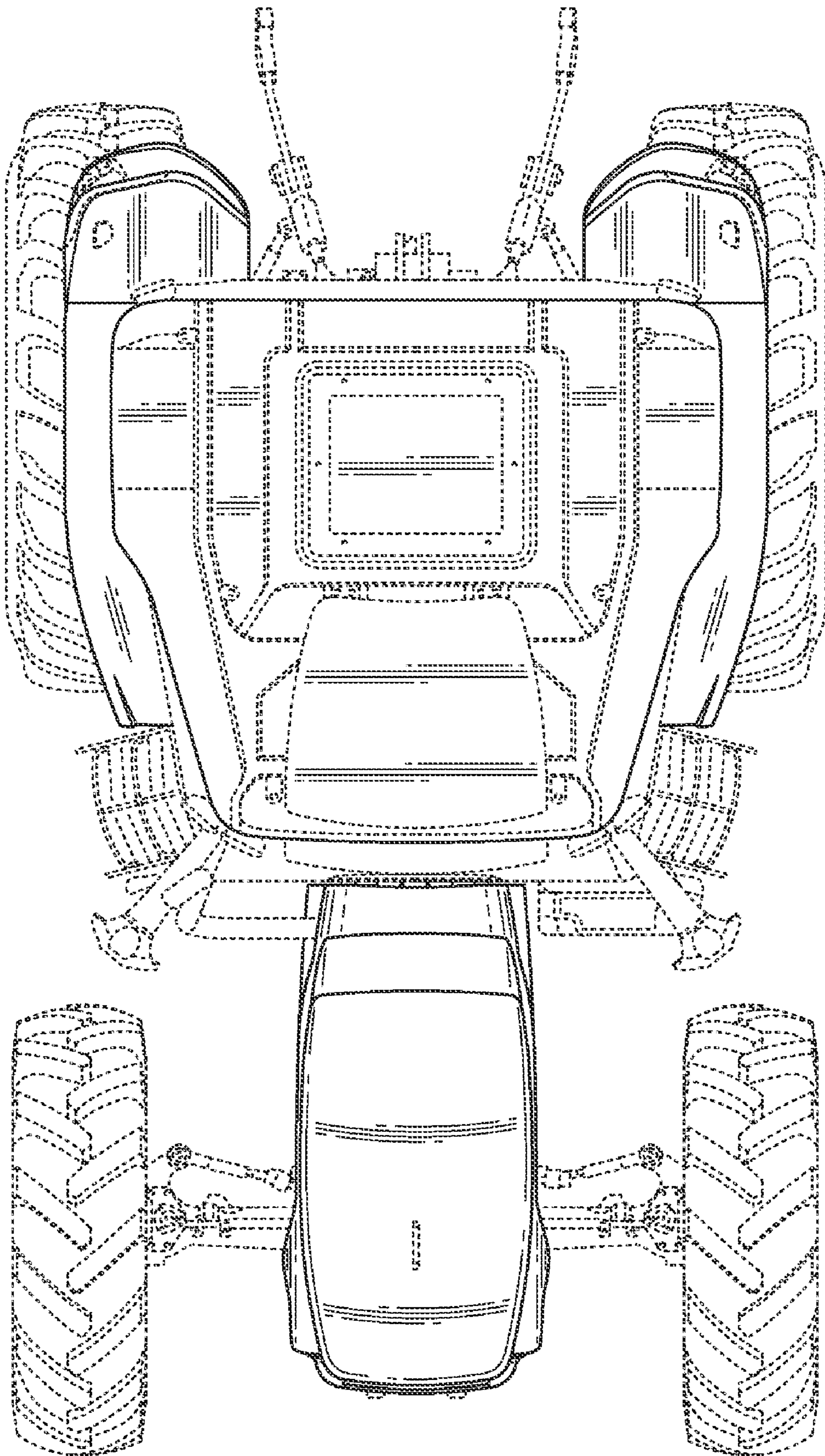


FIG. 6