



US00D613776S

(12) **United States Design Patent**
Bianco et al.

(10) **Patent No.:** **US D613,776 S**
(45) **Date of Patent:** **** Apr. 13, 2010**

(54) **TRACTOR**

(75) Inventors: **Guido Bianco**, Turin (IT); **Peter Theo Ernest Jansen**, Piosasco (IT)

(73) Assignee: **CNH America LLC**, New Holland, PA (US)

(**) Term: **14 Years**

(21) Appl. No.: **29/338,746**

(22) Filed: **Jun. 17, 2009**

(51) **LOC (9) Cl.** **15-03**

(52) **U.S. Cl.** **D15/33; D15/23**

(58) **Field of Classification Search** D15/10,
D15/14-17, 22-26, 28, 31, 33; 56/13.4,
56/13.3, 15.8, 15.9, 16.1, 16.7, 175, 202;
180/89.1, 89.12, 900

See application file for complete search history.

(56) **References Cited**

U.S. PATENT DOCUMENTS

D247,624 S *	3/1978	Emundts et al.	D15/23
D256,017 S *	7/1980	Emundts et al.	D15/23
D256,801 S *	9/1980	Skyer et al.	D15/33
D274,524 S *	7/1984	Koval et al.	D15/23
D387,068 S *	12/1997	Kato et al.	D15/23
D391,581 S *	3/1998	Kato et al.	D15/23
D439,586 S *	3/2001	Moehle et al.	D15/33
D440,234 S *	4/2001	Kato et al.	D15/23
D489,381 S *	5/2004	Mistry et al.	D15/23

D498,245 S *	11/2004	Kuwae et al.	D15/23
D519,130 S *	4/2006	Higashikawa et al.	D15/23
D519,131 S *	4/2006	Kuwae et al.	D15/23
D527,026 S *	8/2006	Kuwae et al.	D15/23
D555,674 S *	11/2007	Kuwae	D15/23

* cited by examiner

Primary Examiner—Ian Simmons

Assistant Examiner—Mark A Goodwin

(74) *Attorney, Agent, or Firm*—Patrick M. Sheldrake; John William Stader; Michael G. Harms

(57) **CLAIM**

We claim the ornamental design for the tractor, as shown and described.

DESCRIPTION

FIG. 1 is a top front right side perspective view of a tractor showing our new design;

FIG. 2 is a front view thereof;

FIG. 3 is a rear view thereof;

FIG. 4 is a left side view thereof;

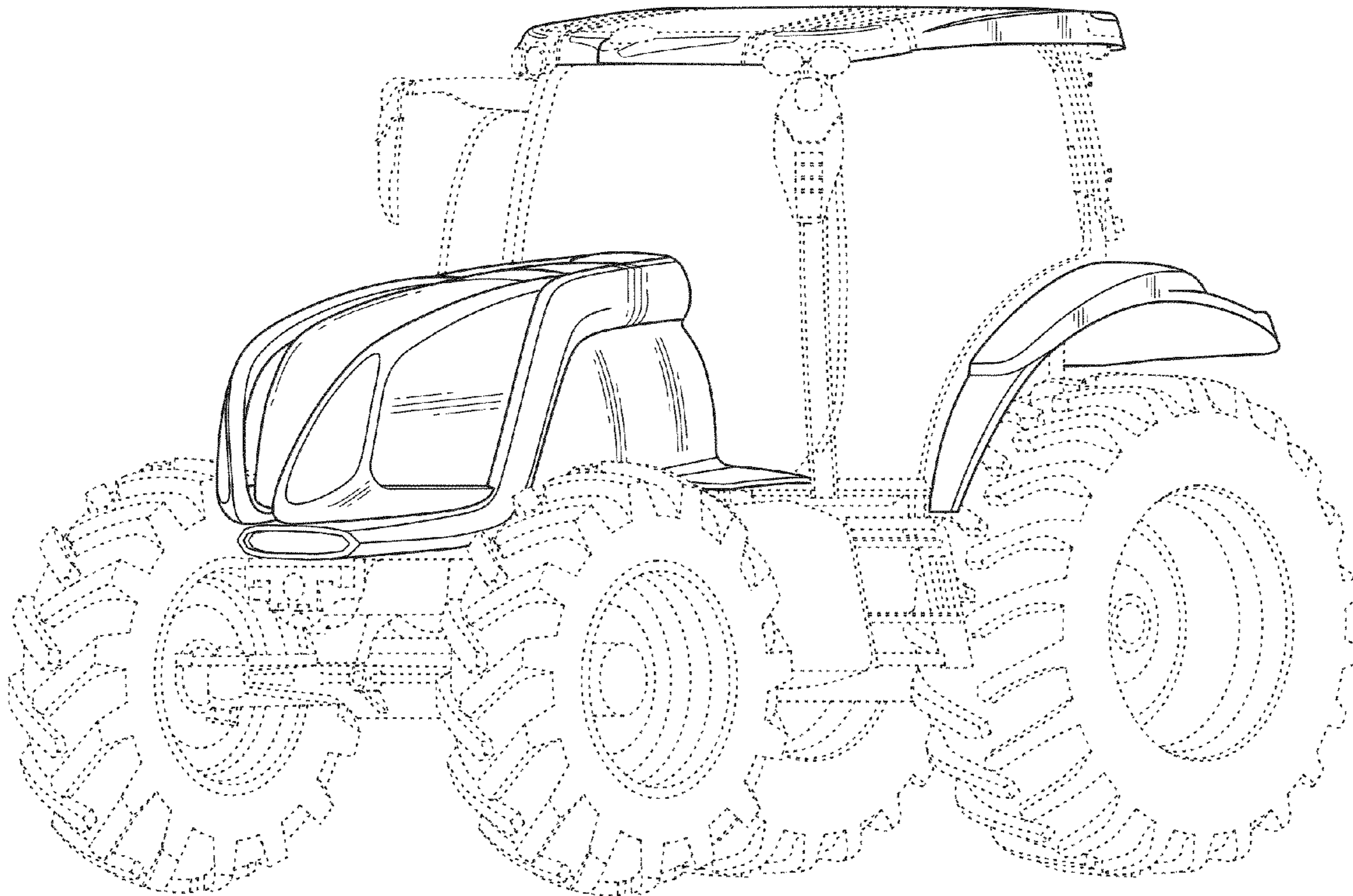
FIG. 5 is a right side view thereof;

FIG. 6 is a top plan view thereof; and,

FIG. 7 is a top rear left perspective view thereof.

The broken lines are for illustrative purposes only and form no part of the claimed design.

1 Claim, 7 Drawing Sheets



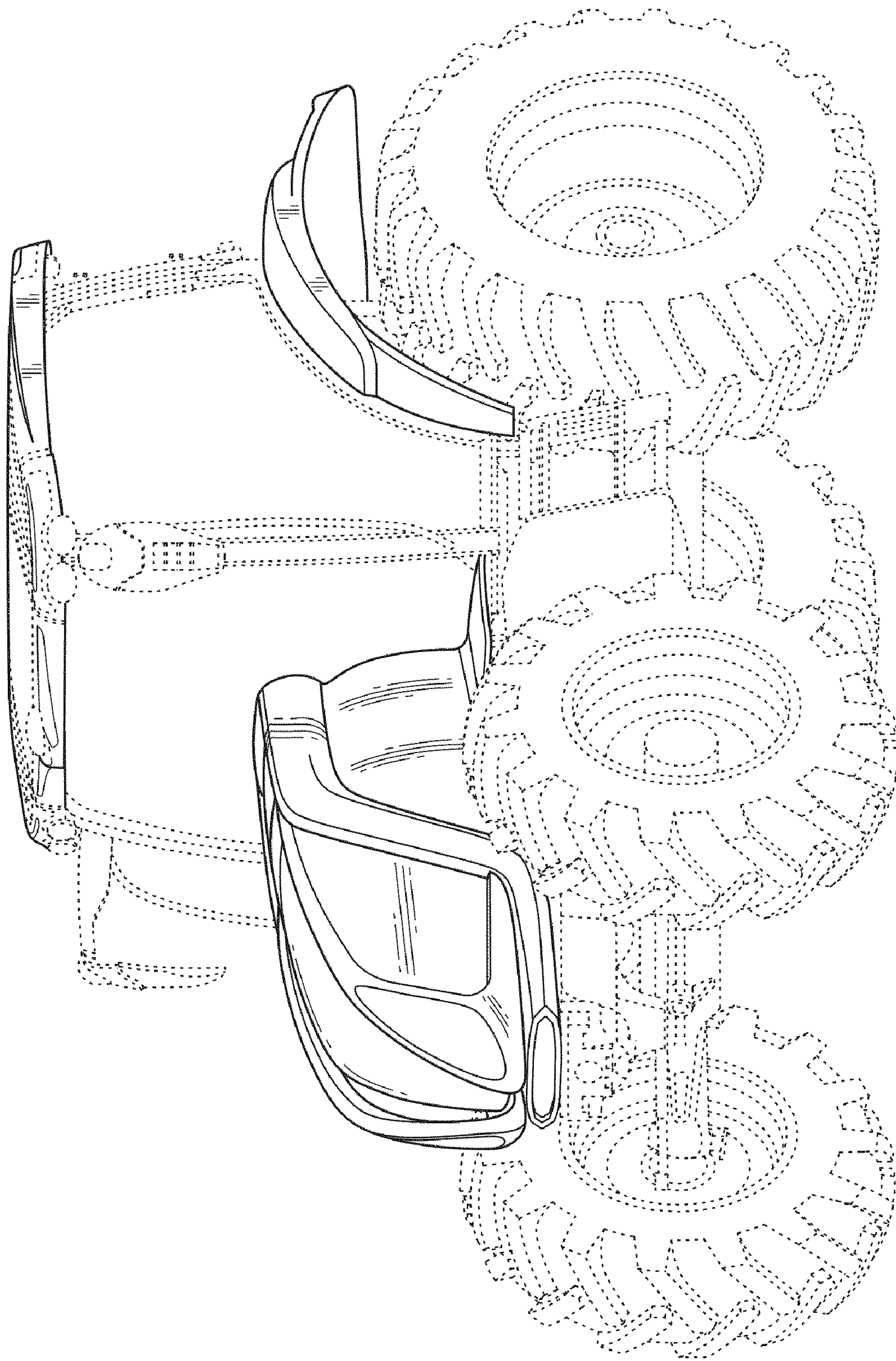


FIG. 1

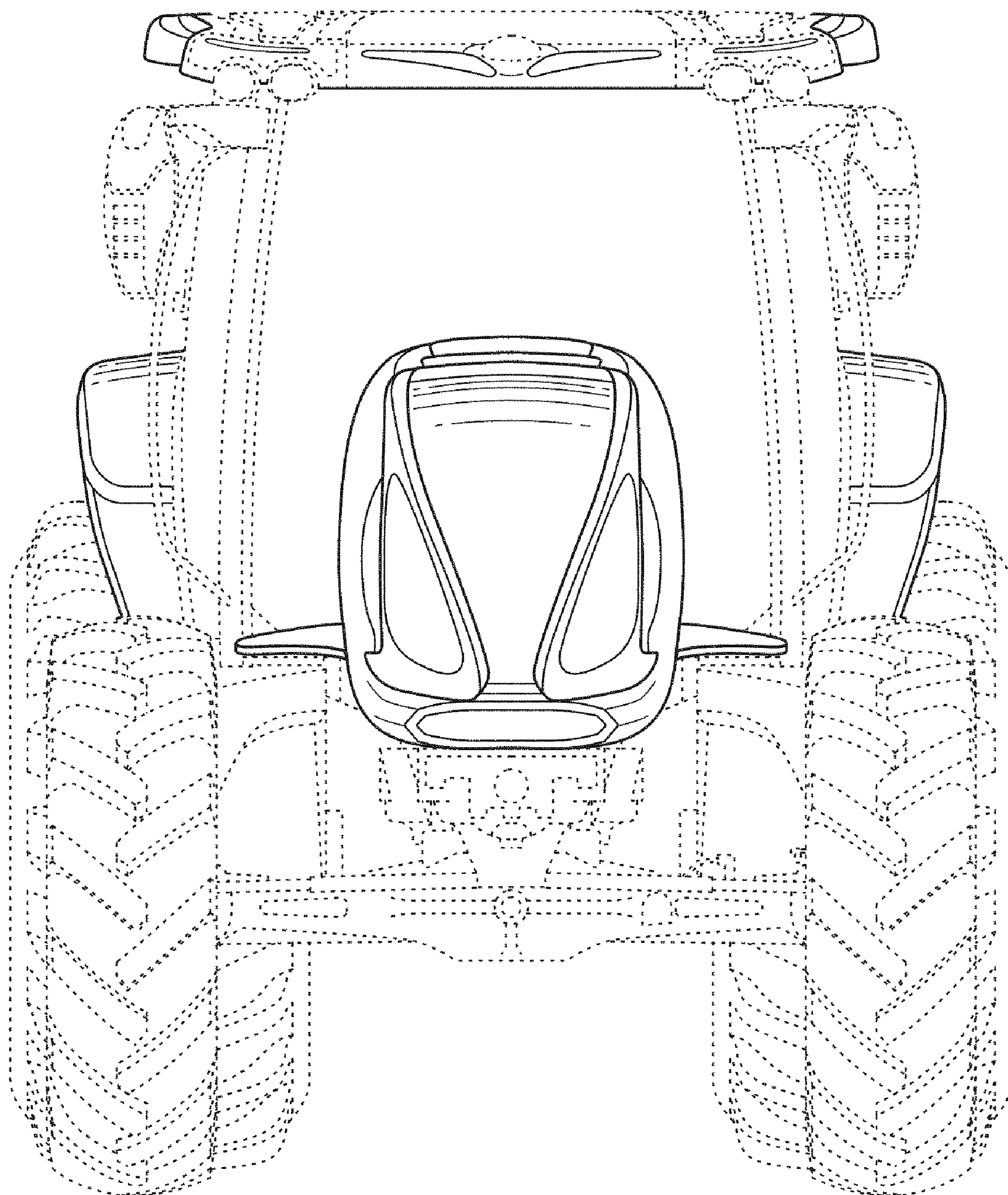


FIG. 2

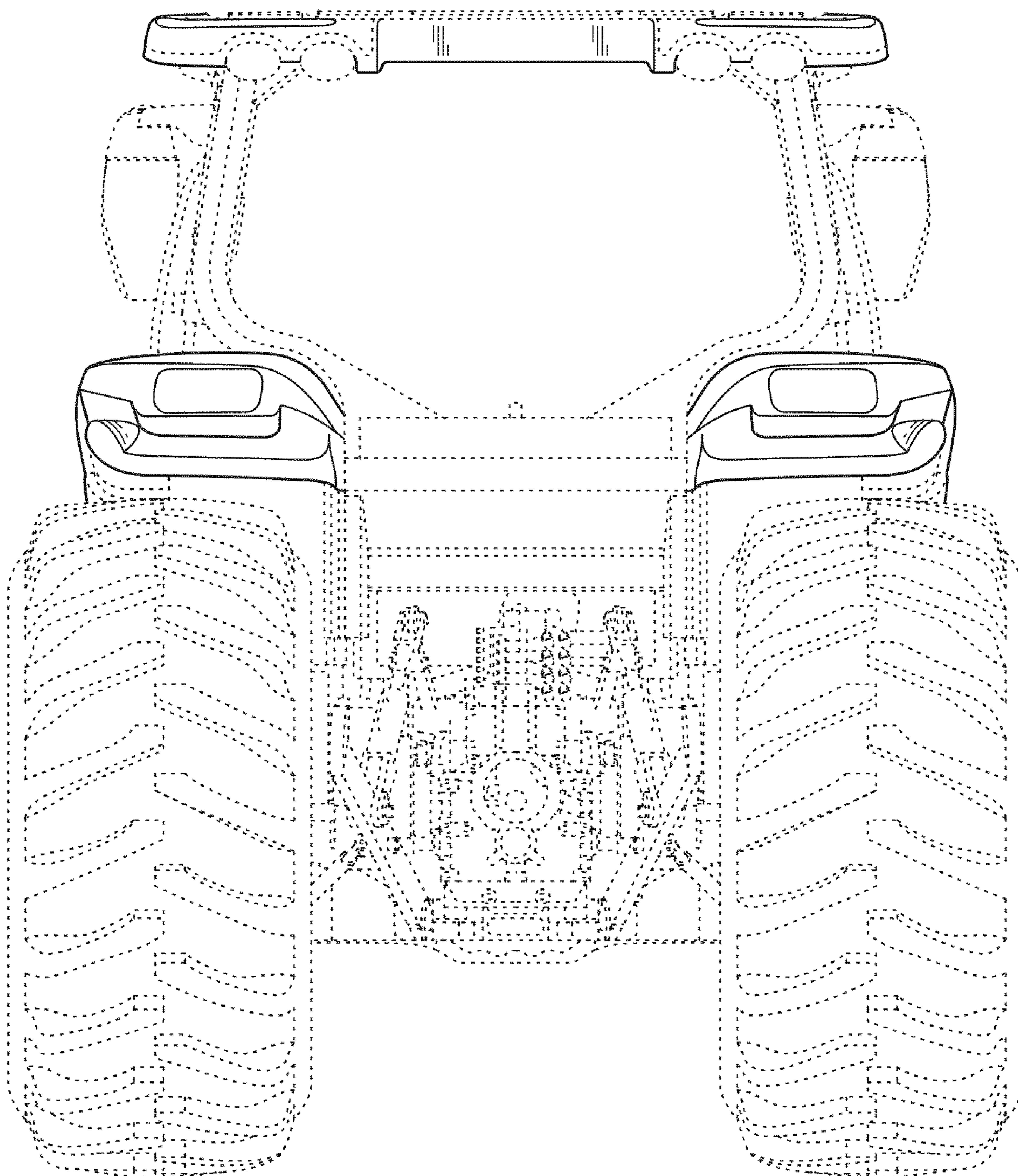


FIG. 3

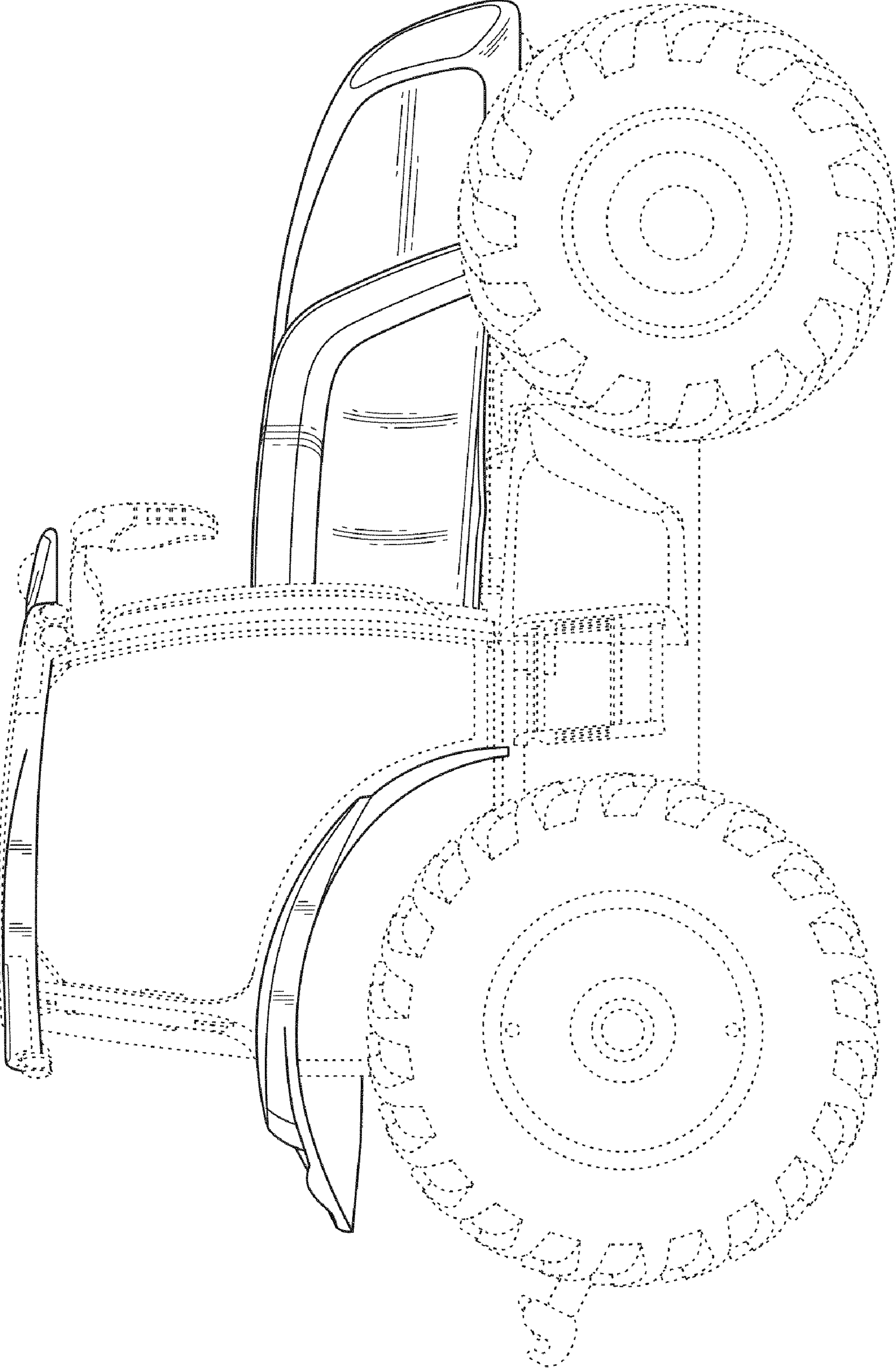


FIG. 4

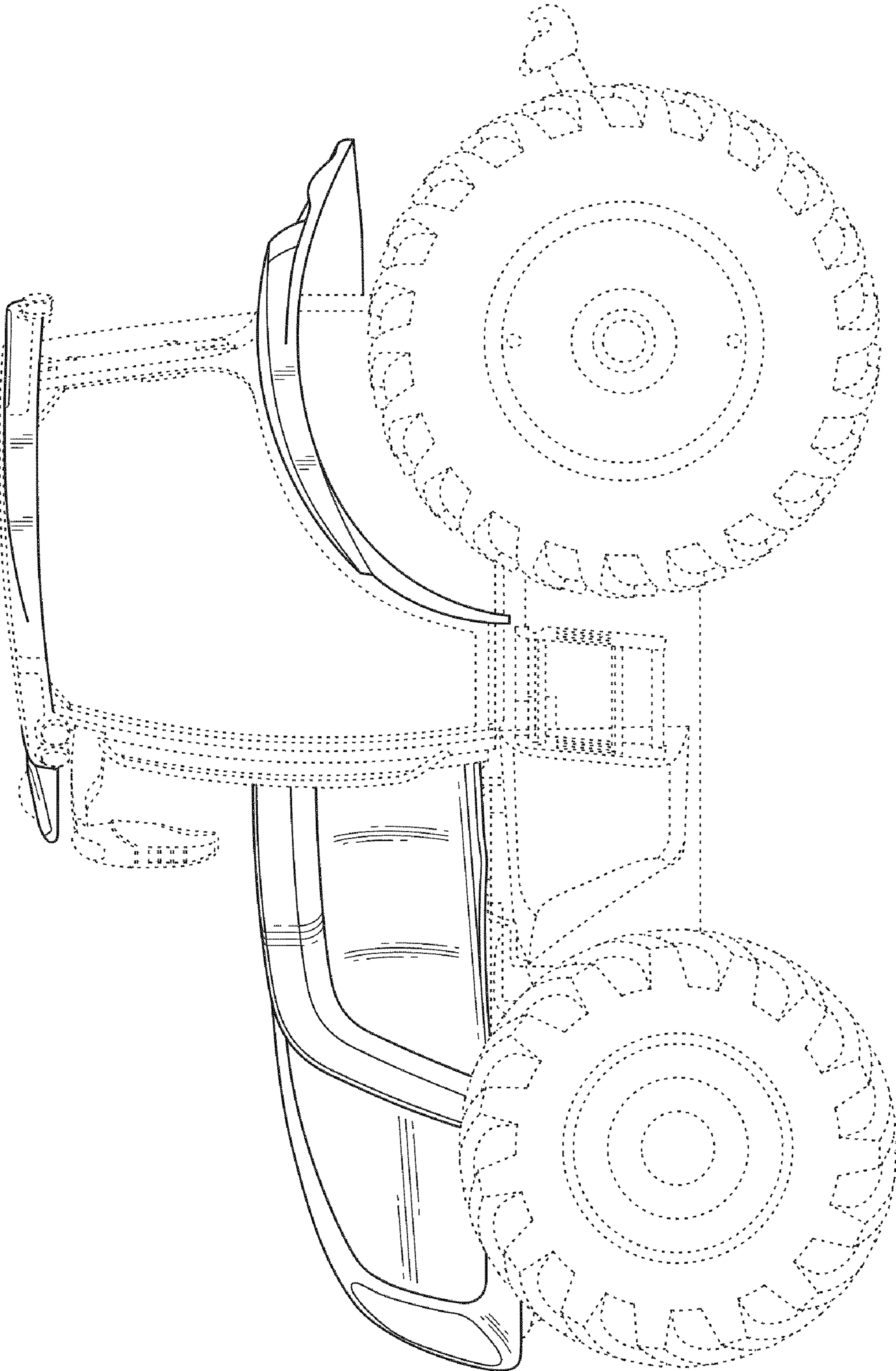


FIG. 5

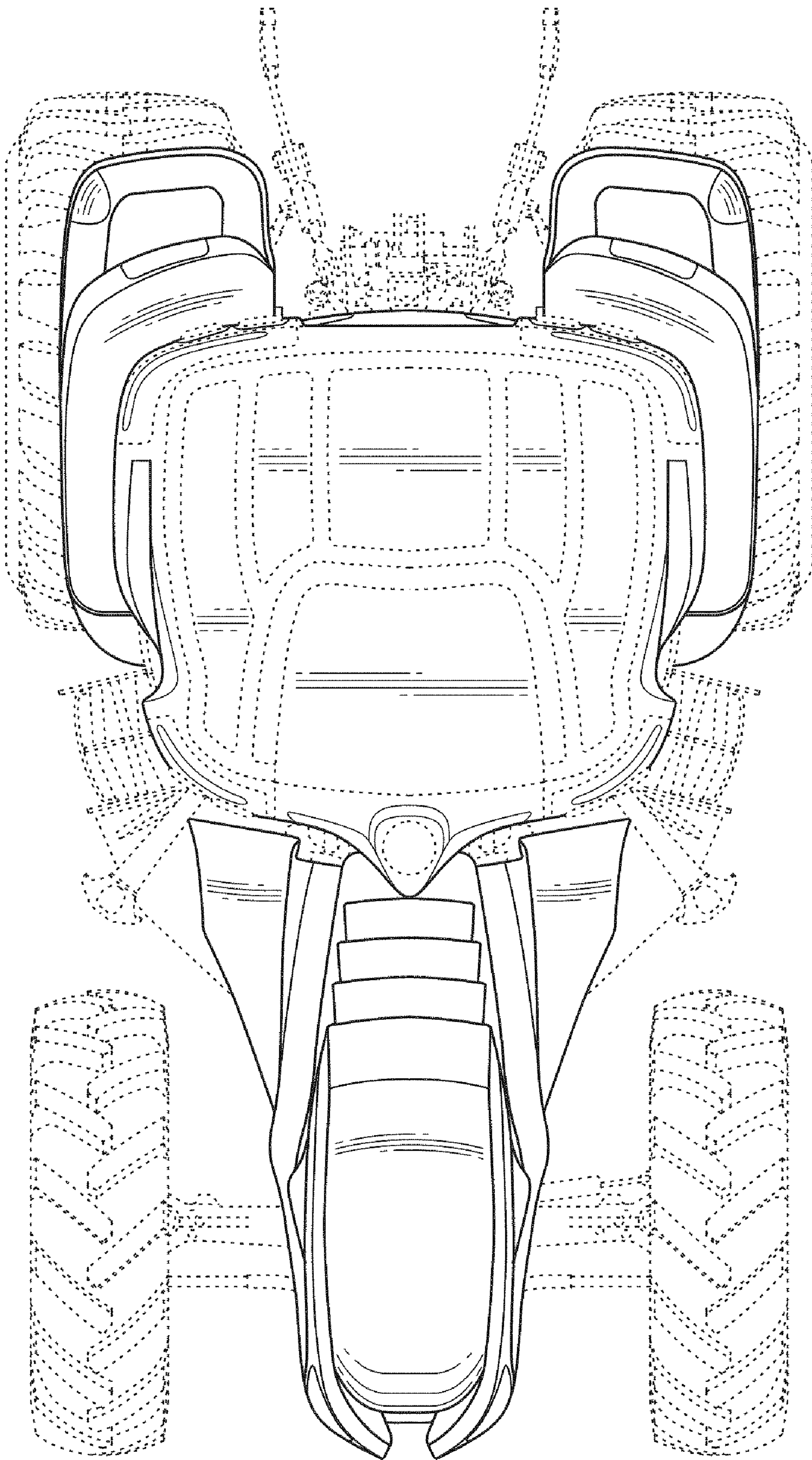


FIG. 6

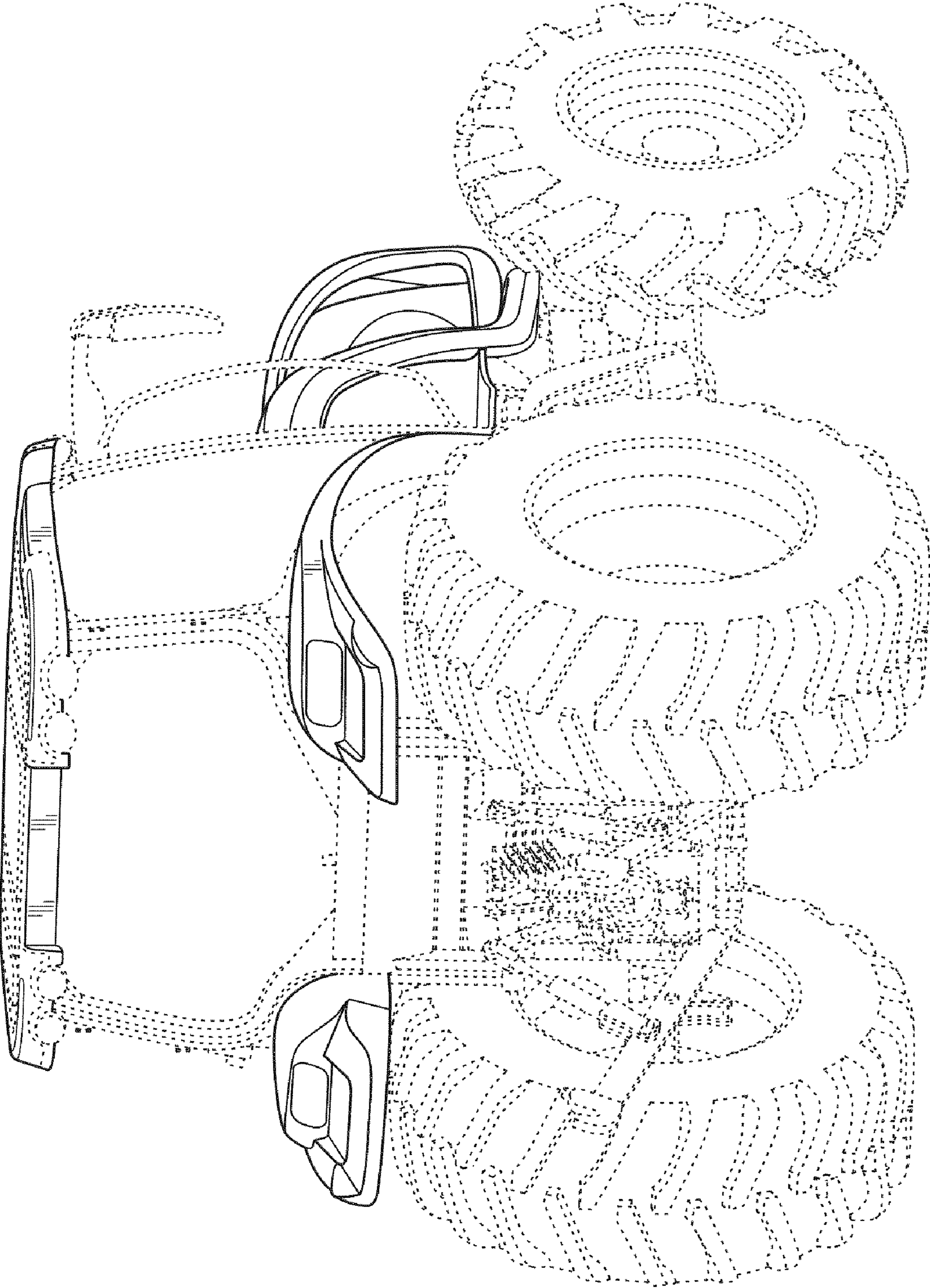


FIG. 7