



US00D613773S

(12) **United States Design Patent**  
**Colber, Jr. et al.**

(10) **Patent No.:** **US D613,773 S**  
(45) **Date of Patent:** **\*\* Apr. 13, 2010**

(54) **LAWNMOWER DECK**

(75) Inventors: **William E. Colber, Jr.**, Lavonia, GA  
(US); **Clinton C. Thackery**, Anderson,  
SC (US); **Marion Reynolds**, Anderson,  
SC (US); **James C. Ferrell**, Dublin, GA  
(US)

(73) Assignee: **Techtronic Outdoor Products**  
**Technology Limited (BM)**

(\*\*) Term: **14 Years**

(21) Appl. No.: **29/338,247**

(22) Filed: **Jun. 8, 2009**

(51) **LOC (9) Cl.** ..... **15-03**

(52) **U.S. Cl.** ..... **D15/17**

(58) **Field of Classification Search** ..... D15/14,  
D15/17; 56/17.1, 17.2, 17.4, 17.5, 320.2  
See application file for complete search history.

(56) **References Cited**

**U.S. PATENT DOCUMENTS**

D174,955 S *	6/1955	Huff	.....	D15/17
D177,235 S *	3/1956	Huff	.....	D15/17
D193,197 S *	7/1962	Czerwonky	.....	D15/17
D198,041 S *	4/1964	Stevens	.....	D15/17
D207,231 S *	3/1967	Stewart et al.	.....	D15/17
D207,326 S *	4/1967	Stewart et al.	.....	D15/17
D212,636 S *	11/1968	Schreckengost	.....	D15/17
D212,702 S *	11/1968	Smith	.....	D15/17
D228,008 S *	7/1973	Thorud	.....	D15/17
D234,028 S *	12/1974	Erickson	.....	D15/17
D237,524 S *	11/1975	Cognata	.....	D15/17
D245,502 S *	8/1977	Oscarsson et al.	.....	D15/17
4,326,370 A *	4/1982	Thorud	.....	56/202
D296,105 S *	6/1988	Hosonuma	.....	D15/17
D347,640 S *	6/1994	Chunn et al.	.....	D15/14
D356,581 S *	3/1995	Chunn et al.	.....	D15/14
D361,771 S *	8/1995	Ledingham	.....	D15/14
D419,163 S *	1/2000	Sirois et al.	.....	D15/14
D420,365 S *	2/2000	Gunnar	.....	D15/14
D451,931 S *	12/2001	Abramson et al.	.....	D15/14

D458,612 S *	6/2002	Scott et al.	.....	D15/14
D458,613 S *	6/2002	Scott et al.	.....	D15/14
D489,734 S *	5/2004	Lin	.....	D15/14
7,055,301 B2 *	6/2006	Osborne et al.	.....	56/320.1
RE39,338 E *	10/2006	Stratford	.....	D15/14
D544,501 S *	6/2007	Chung Lee	.....	D15/14
D559,867 S *	1/2008	Abramson	.....	D15/14

(Continued)

*Primary Examiner*—Ian Simmons

*Assistant Examiner*—Mark A Goodwin

(74) *Attorney, Agent, or Firm*—Michael Best & Friedrich  
LLP

(57) **CLAIM**

We claim the ornamental design for a lawnmower deck, as  
shown and described.

**DESCRIPTION**

FIG. 1 is a top perspective view of a lawnmower deck.

FIG. 2 is a top plan view of the lawnmower deck shown in  
FIG. 1.

FIG. 3 is a bottom plan view of the lawnmower deck shown in  
FIG. 1.

FIG. 4 is a front view of the lawnmower deck shown in FIG.  
1.

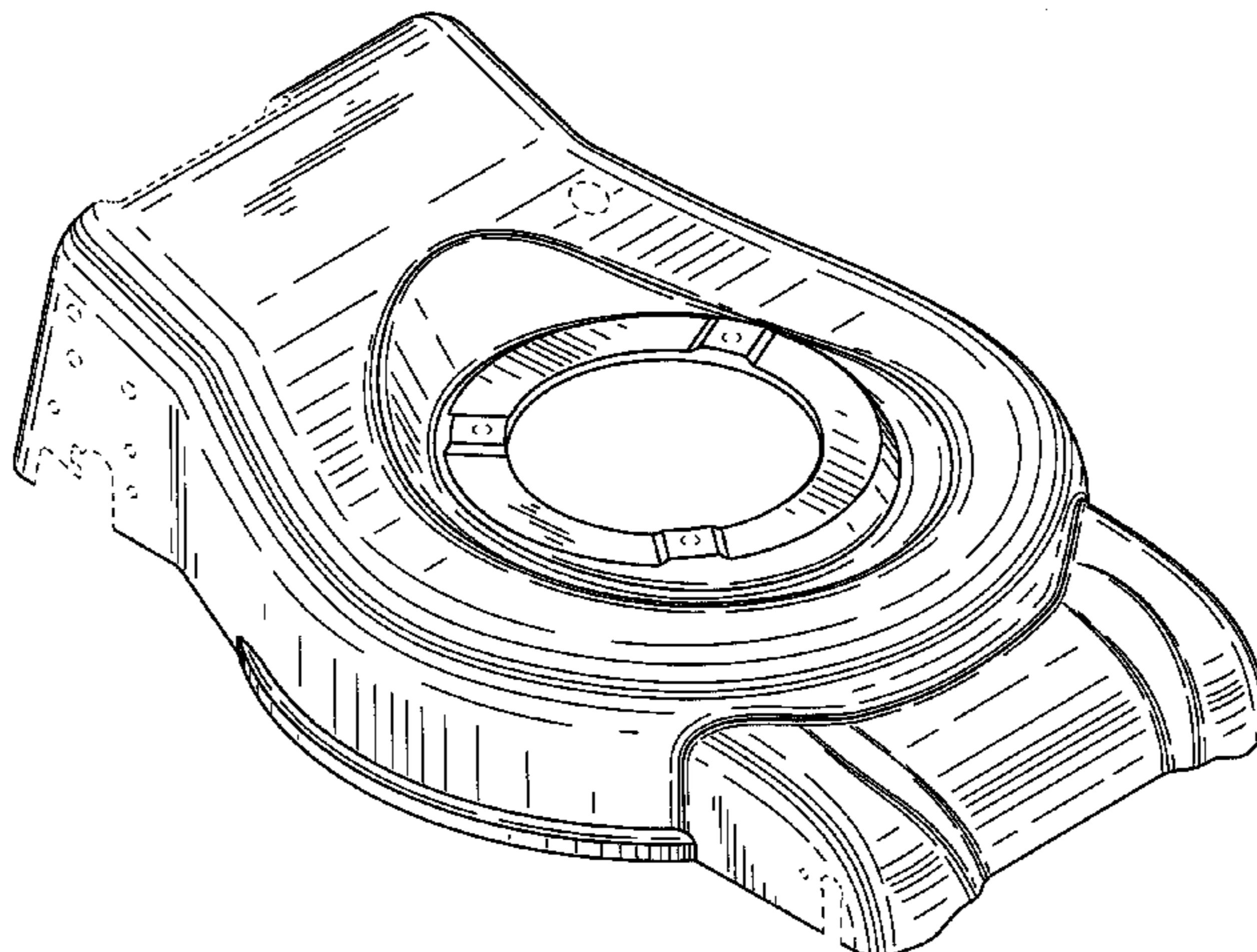
FIG. 5 is a rear view of the lawnmower deck shown in FIG. 1.

FIG. 6 is a right side view of the lawnmower deck shown in  
FIG. 1; and,

FIG. 7 is a left side view of the lawnmower deck shown in  
FIG. 1.

The elements shown in broken lines are for illustrative pur-  
poses only and form no part of the claimed design.

**1 Claim, 5 Drawing Sheets**



# US D613,773 S

Page 2

---

## U.S. PATENT DOCUMENTS

2003/0163981	A1*	9/2003	Osborne .....	56/320.1			
2005/0028507	A1*	2/2005	Osborne et al. ....	56/320.2			
					2006/0123760	A1*	6/2006 Glasscock .....
					2008/0086997	A1*	4/2008 Lucas et al. ....

\* cited by examiner

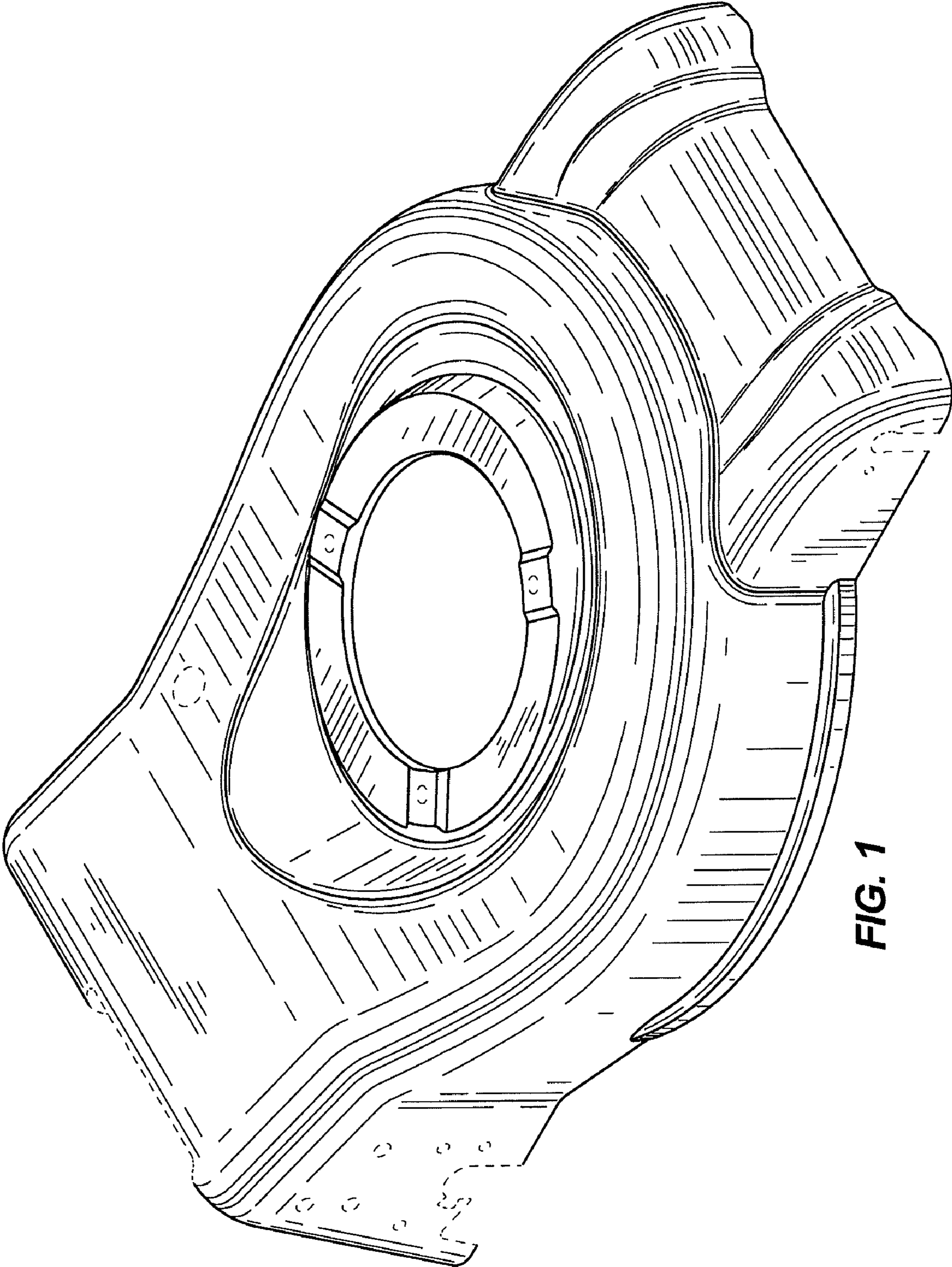
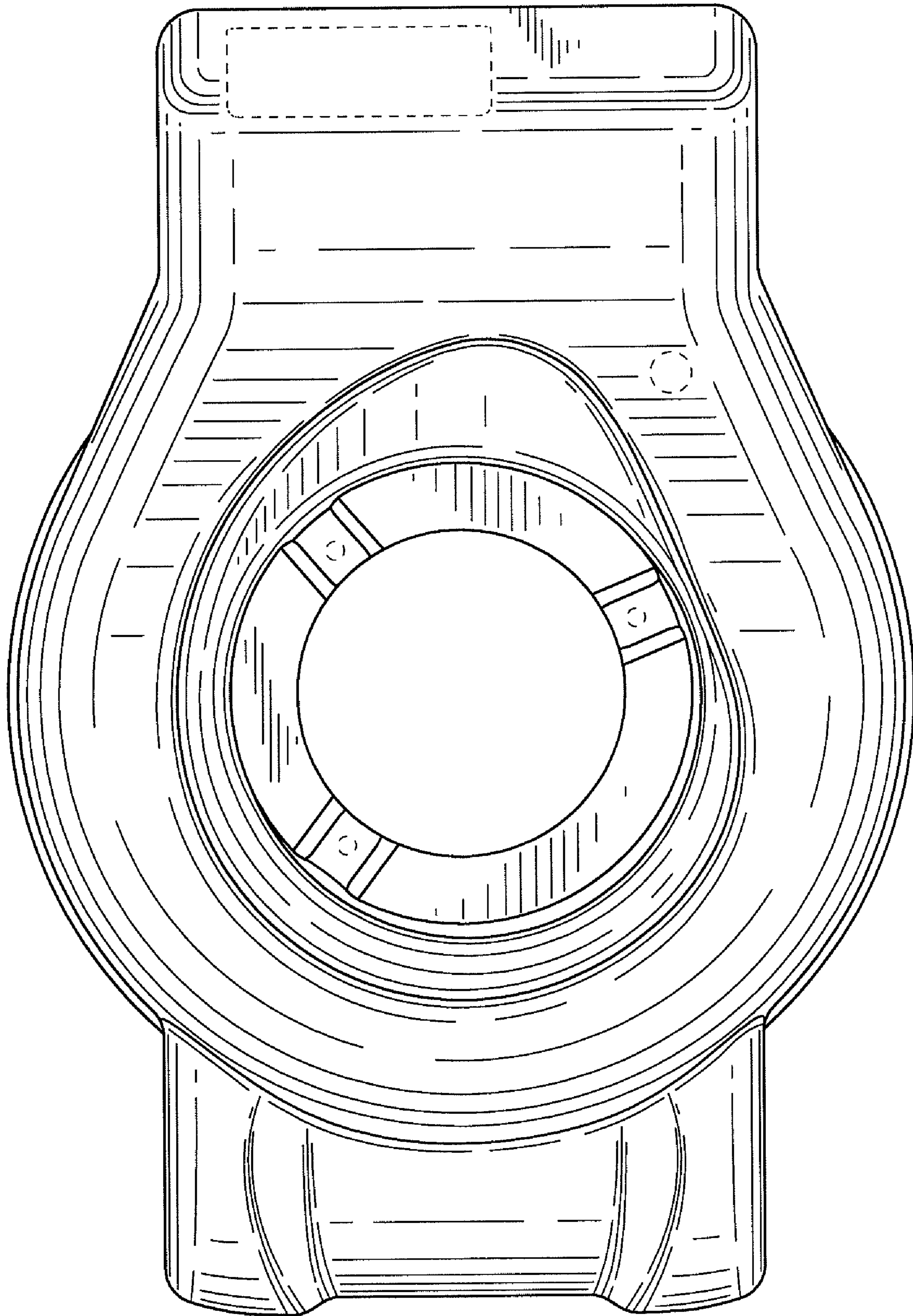
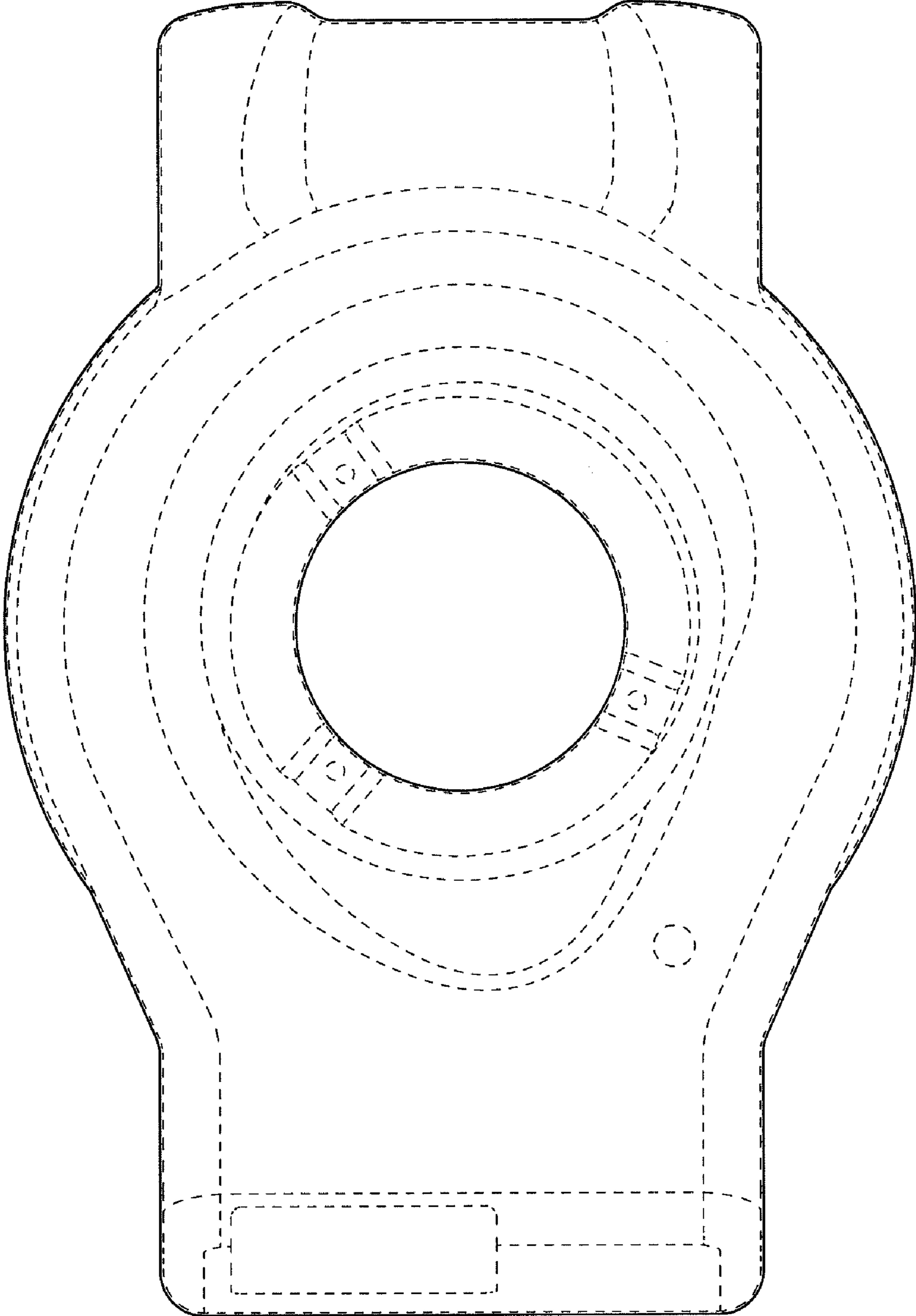


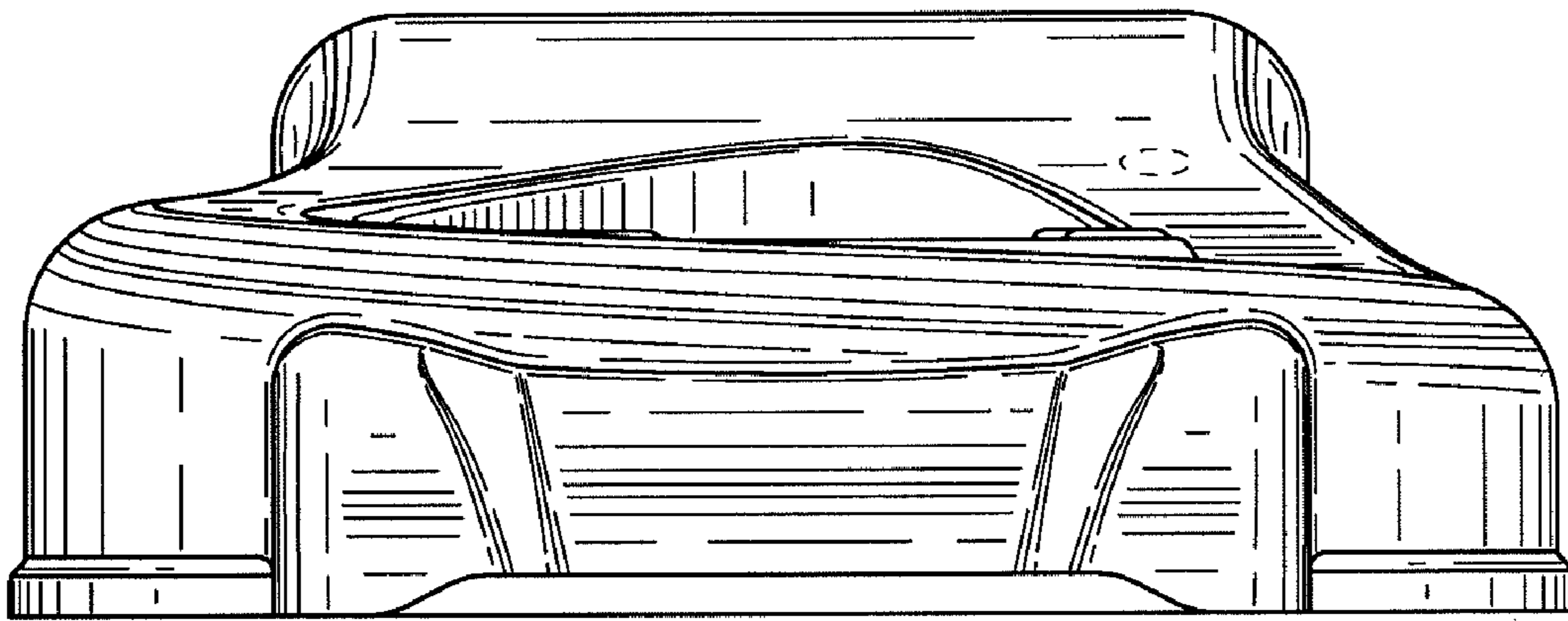
FIG. 1



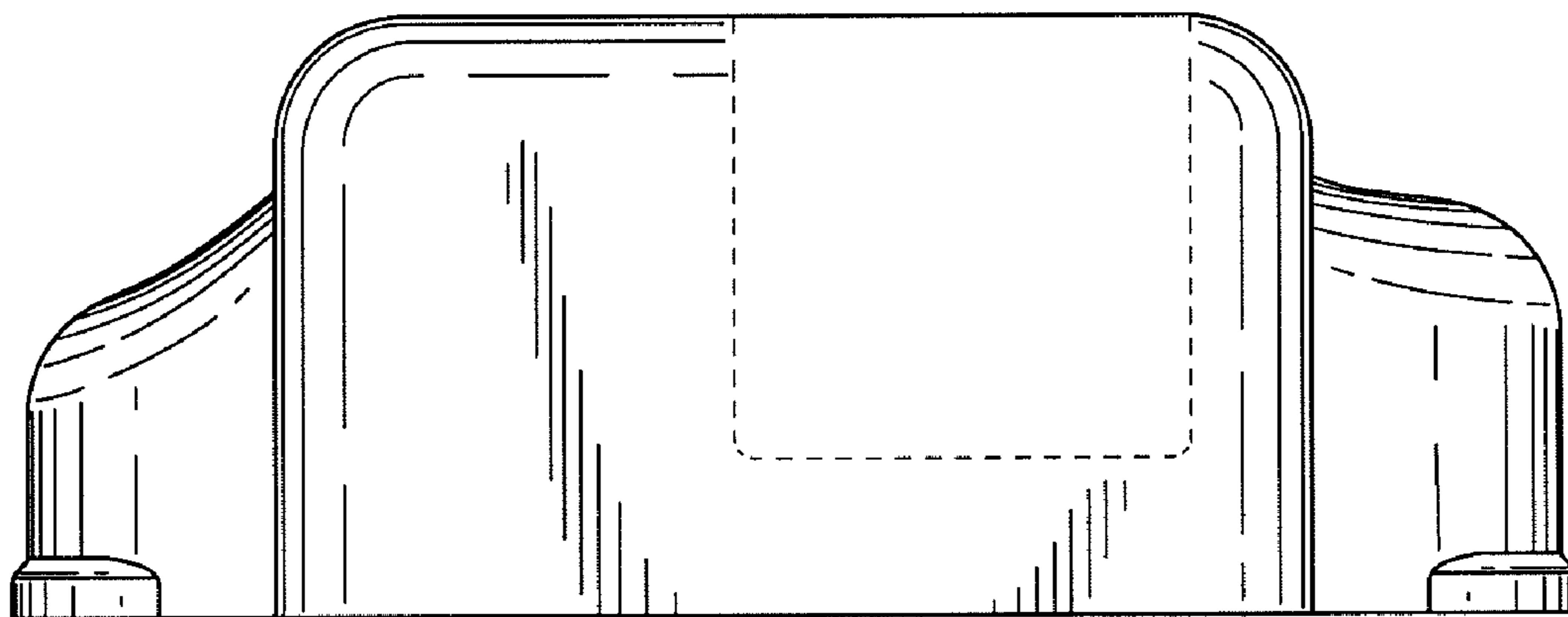
**FIG. 2**



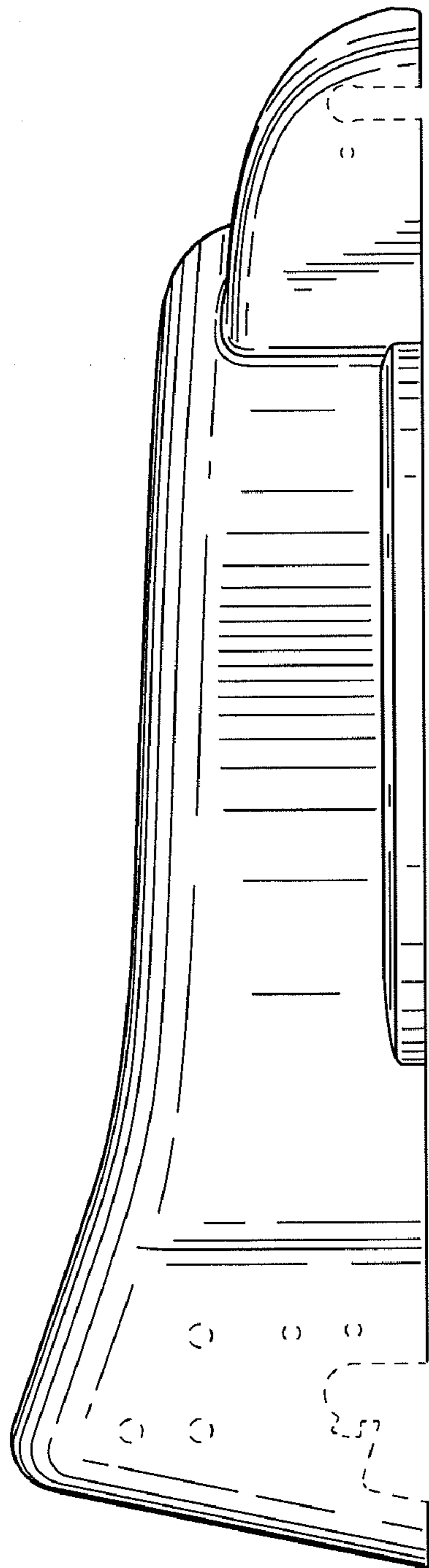
**FIG. 3**



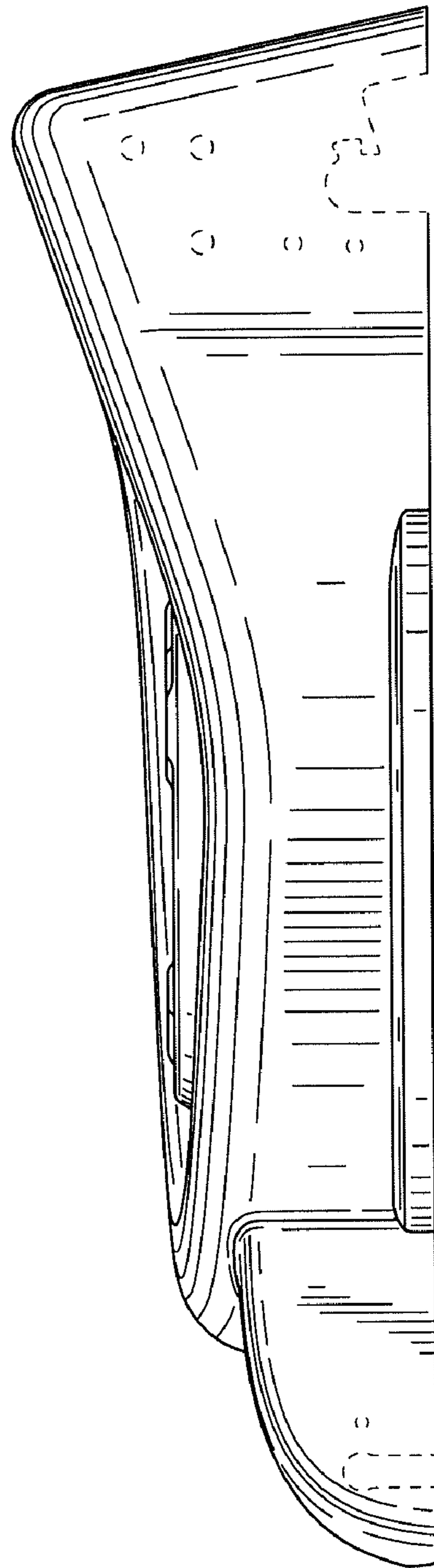
**FIG. 4**



**FIG. 5**



**FIG. 6**



**FIG. 7**