



US00D613772S

(12) **United States Design Patent**
Azuma

(10) **Patent No.:** **US D613,772 S**
(45) **Date of Patent:** **** Apr. 13, 2010**

(54) **TILLER**

(75) Inventor: **Koichi Azuma**, Wako (JP)

(73) Assignee: **Honda Motor Co., Ltd.**, Tokyo (JP)

(**) Term: **14 Years**

(21) Appl. No.: **29/335,606**

(22) Filed: **Apr. 17, 2009**

(30) **Foreign Application Priority Data**

Oct. 23, 2008 (JP) 2008-027190

(51) **LOC (9) Cl.** **15-03**

(52) **U.S. Cl.** **D15/12**

(58) **Field of Classification Search** D15/10-12;
172/41-44, 74, 260, 256, 250, 48, 72, 351,
172/365, 329, 57, 518; 180/53.1; 56/16.7
See application file for complete search history.

(56) **References Cited**

U.S. PATENT DOCUMENTS

D231,005	S	*	3/1974	Noma et al.	D15/12
D249,518	S	*	9/1978	Cognata et al.	D15/12
4,640,366	A	*	2/1987	Saito	172/42
5,573,069	A	*	11/1996	Shiple	172/42
D415,502	S	*	10/1999	Yoshida	D15/12
D416,026	S	*	11/1999	Ohsumi et al.	D15/12
D417,458	S	*	12/1999	Waibel	D15/14

D449,052	S	*	10/2001	Ito et al.	D15/12
D475,067	S	*	5/2003	Ito et al.	D15/12
D486,502	S	*	2/2004	Yuzuriha et al.	D15/12
6,766,866	B2	*	7/2004	Miyahara et al.	172/41
D515,592	S	*	2/2006	Thackery	D15/11
D523,026	S	*	6/2006	Vaughn	D15/12
D540,827	S	*	4/2007	Notaras et al.	D15/12
D567,822	S	*	4/2008	Martz	D15/12
2003/0159838	A1	*	8/2003	Miyahara et al.	172/42

* cited by examiner

Primary Examiner—Ian Simmons

Assistant Examiner—Mark A Goodwin

(74) *Attorney, Agent, or Firm*—Birch, Stewart, Kolasch & Birch, LLP

(57) **CLAIM**

The ornamental design for a tiller, as shown and described.

DESCRIPTION

FIG. 1 is a perspective view of a tiller.

FIG. 2 is a front elevation view thereof.

FIG. 3 is a rear elevation view thereof.

FIG. 4 is a left side elevation view thereof.

FIG. 5 is a right side elevation view thereof.

FIG. 6 is a top plan view thereof; and,

FIG. 7 is a bottom plan view thereof.

1 Claim, 7 Drawing Sheets

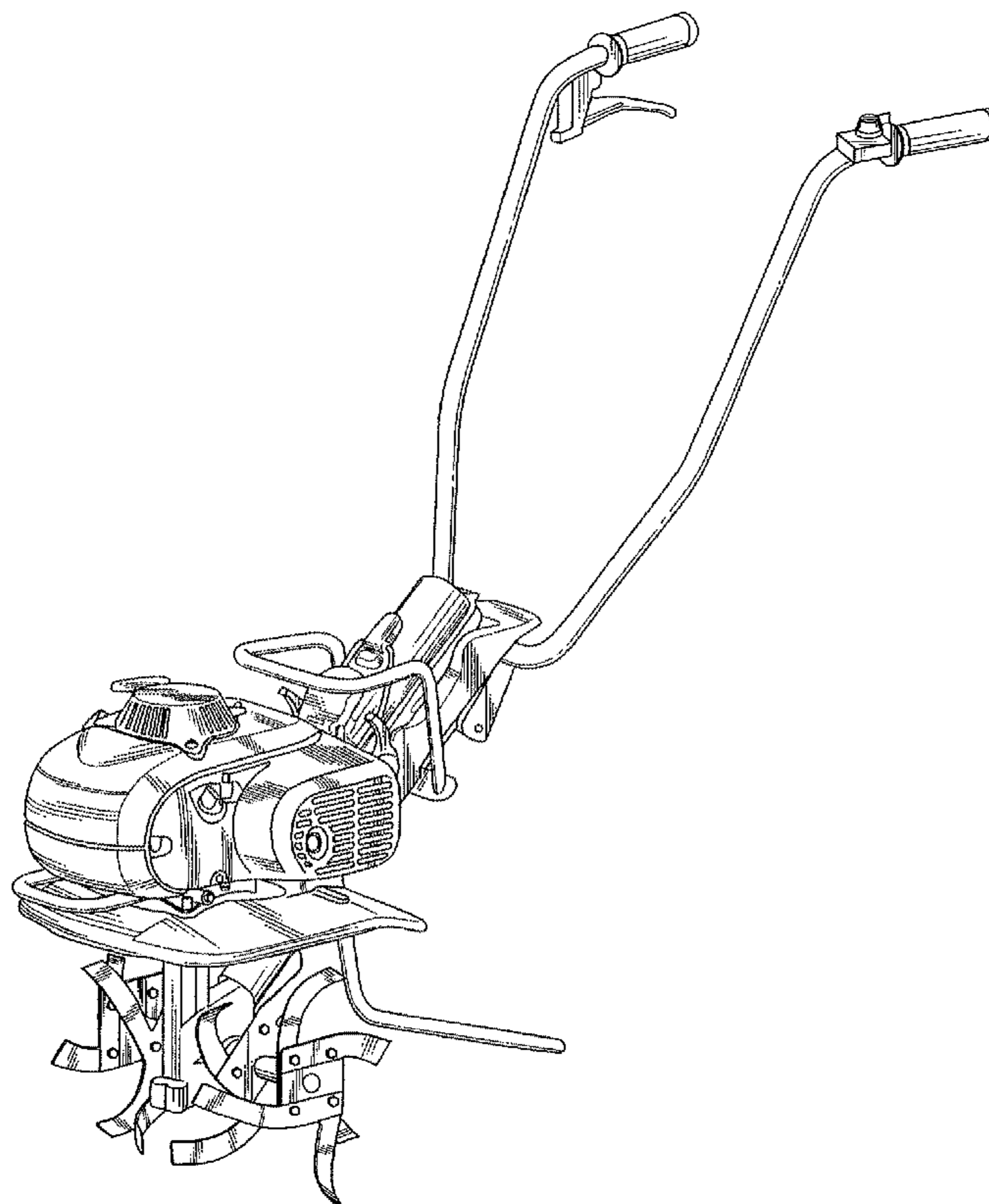


FIG. 1

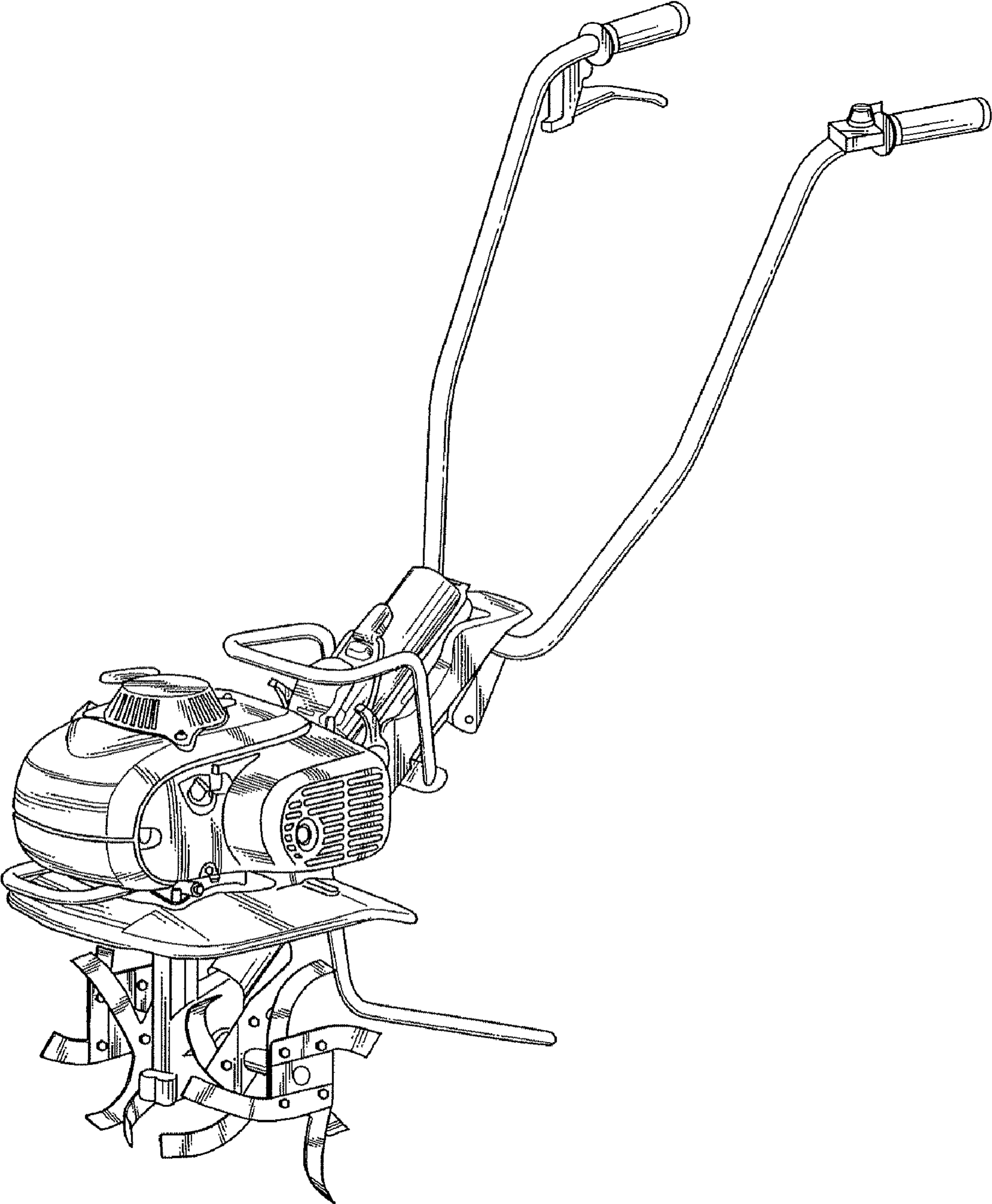


FIG. 2

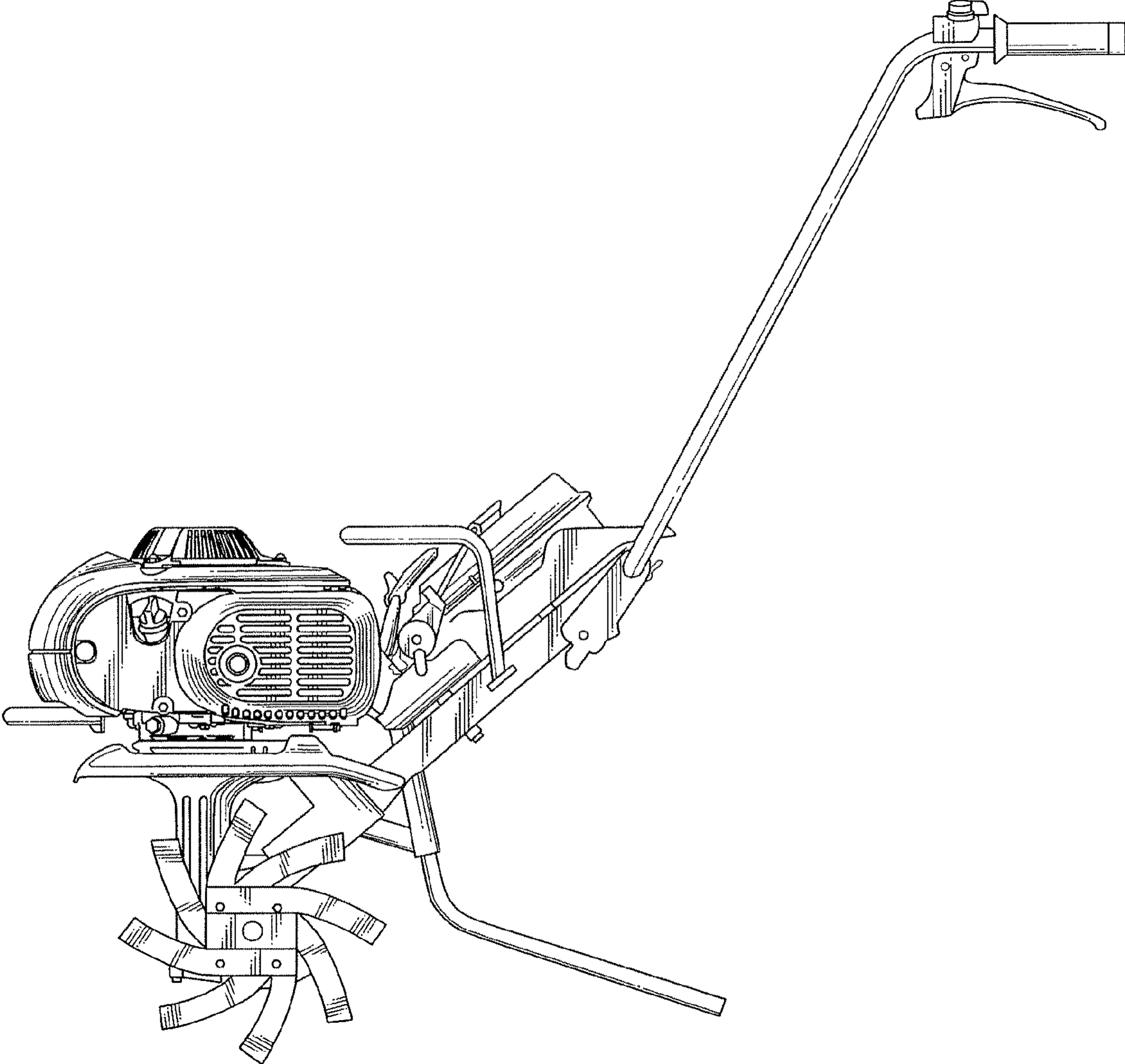


FIG. 3

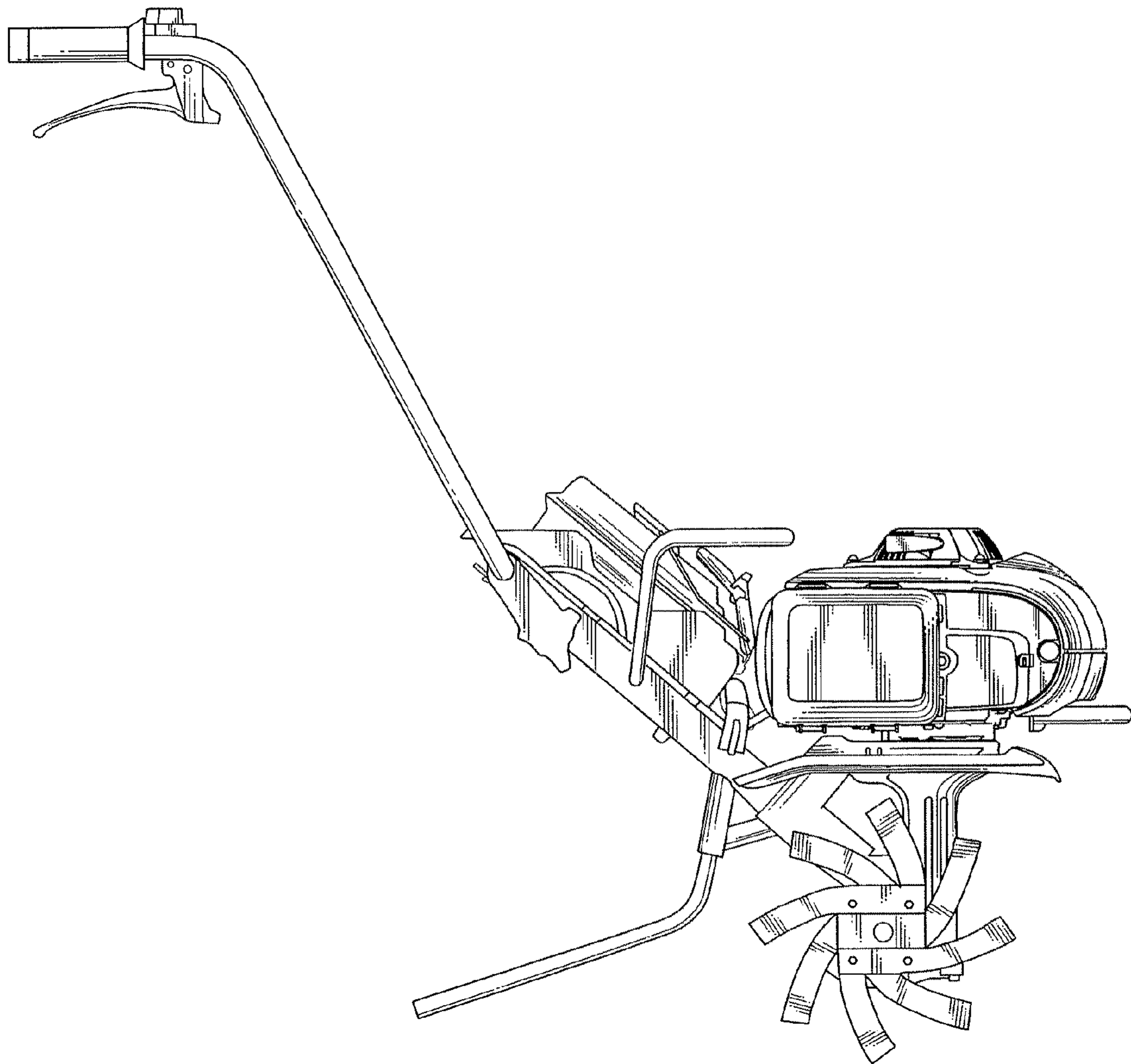


FIG. 4

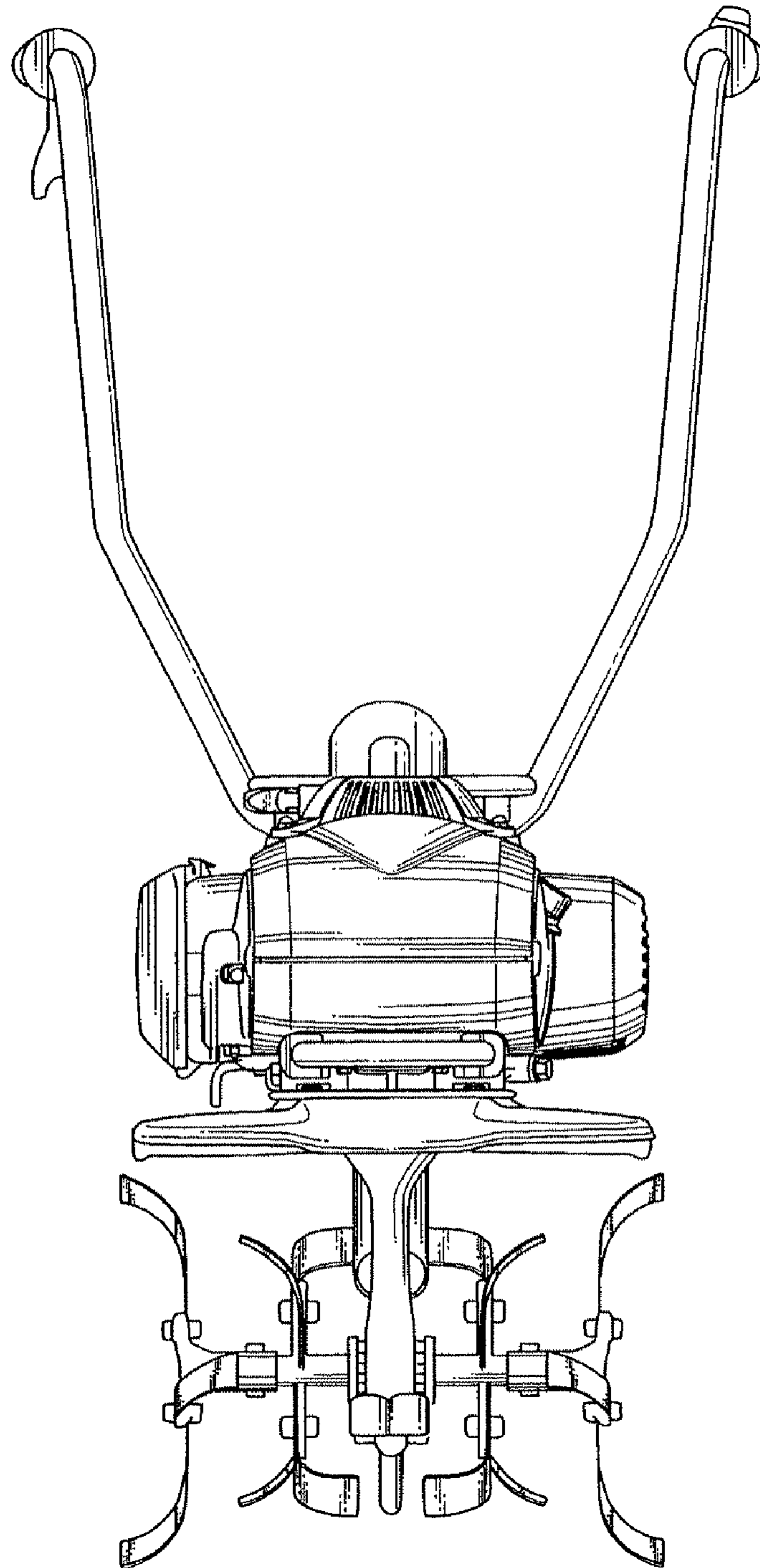


FIG. 5

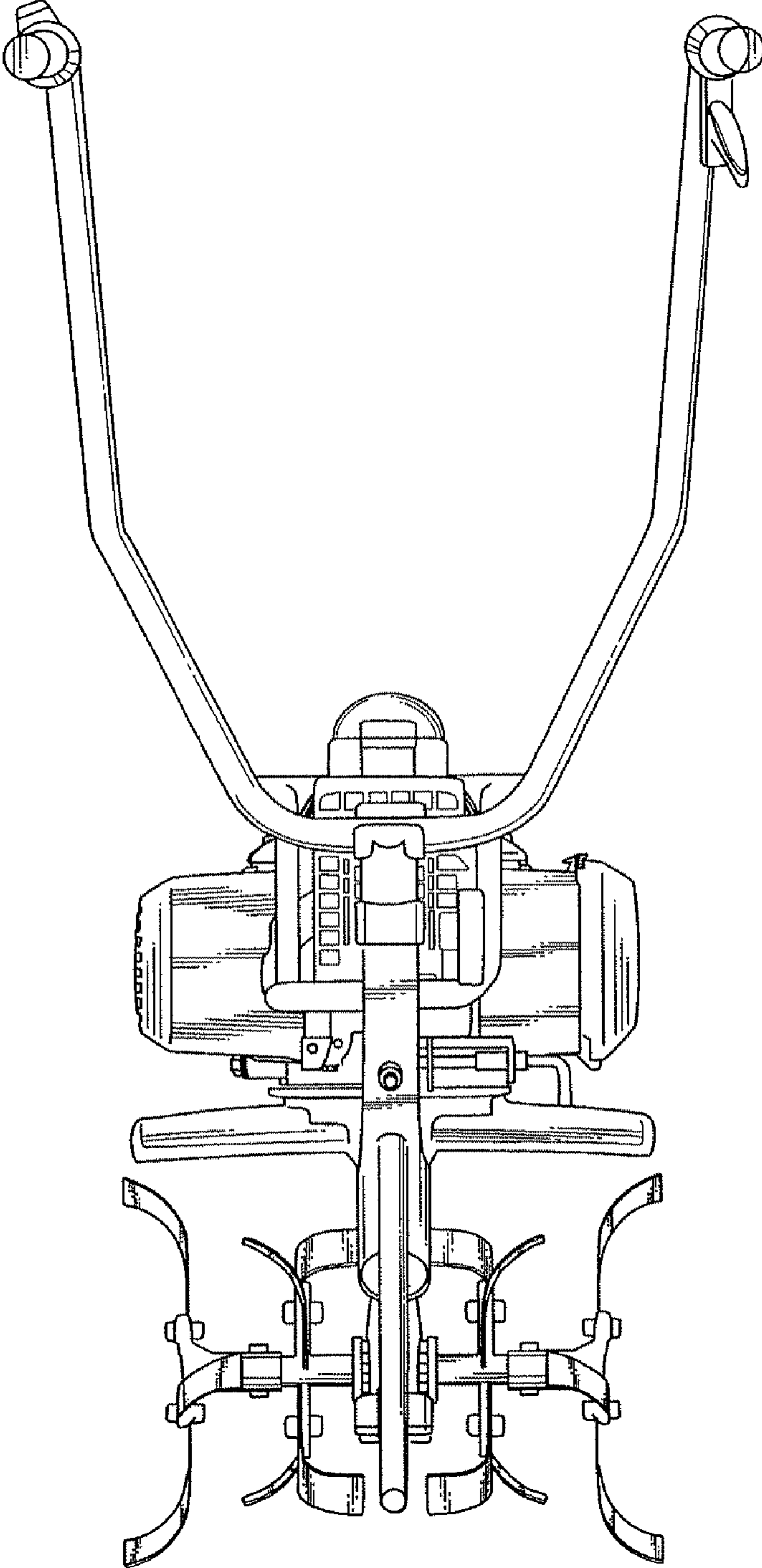


FIG. 6

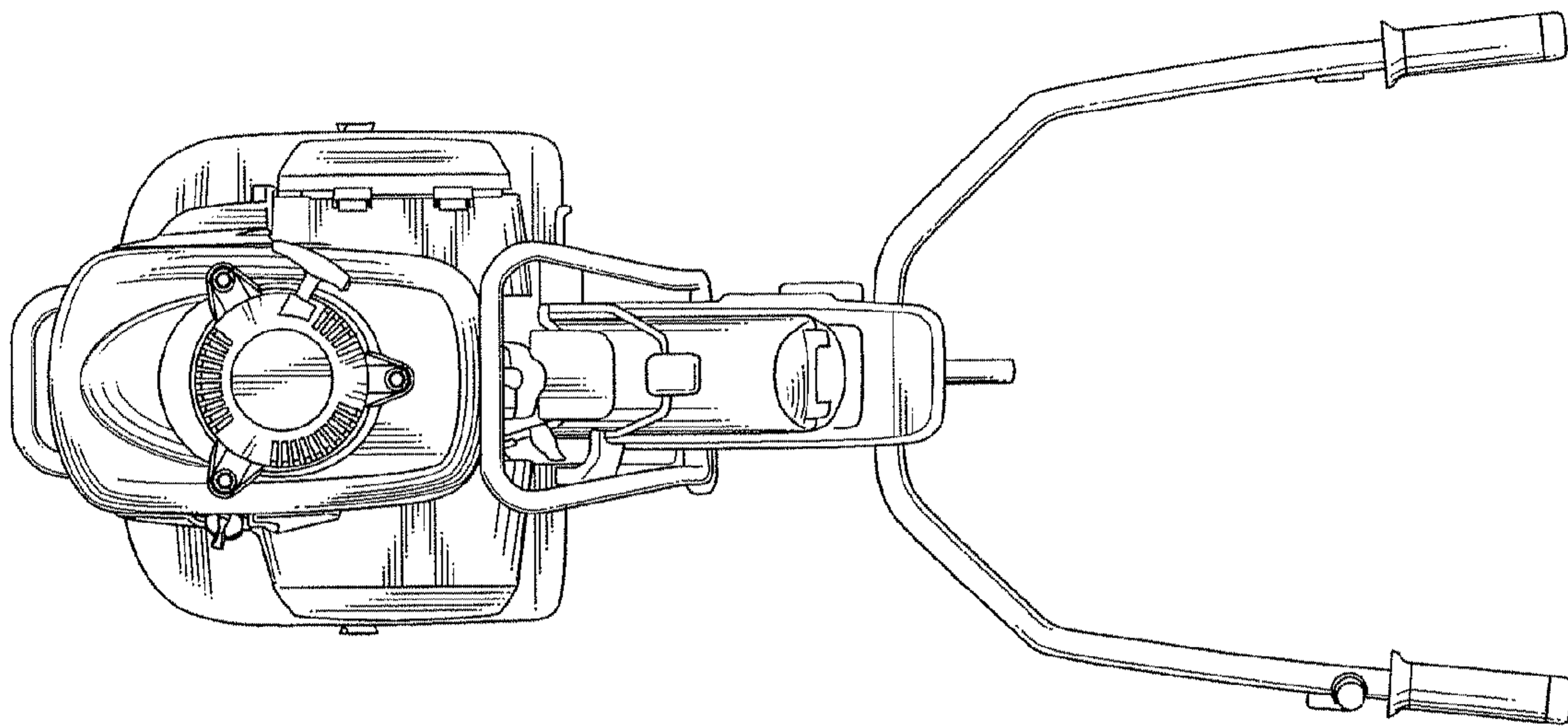


FIG. 7

