



US00D613770S

(12) **United States Design Patent**
Kitamura et al.

(10) **Patent No.:** **US D613,770 S**
(45) **Date of Patent:** **** Apr. 13, 2010**

(54) **HYDRAULIC PUMP**

(75) Inventors: **Takeshi Kitamura**, Fujisawa (JP);
Yoshinari Yasuda, Hadano (JP); **Jun Oogo**, Ayase (JP)

(73) Assignee: **Yuken Kogyo Co., Ltd.**, Ayase-shi,
Kanagawa (JP)

(**) Term: **14 Years**

(21) Appl. No.: **29/347,298**

(22) Filed: **Nov. 25, 2009**

(30) **Foreign Application Priority Data**

May 27, 2009 (JP) 2009-011838

(51) **LOC (9) Cl.** **15-02**

(52) **U.S. Cl.** **D15/7**

(58) **Field of Classification Search** D15/7-9;
D23/231, 232, 225; 417/410.1, 359, 415-416,
417/234, 321, 265, 405

See application file for complete search history.

(56) **References Cited**

U.S. PATENT DOCUMENTS

D275,395 S * 9/1984 Boswell D15/9

D354,495 S * 1/1995 Tojo D15/7
D408,420 S * 4/1999 Buter D15/7
D496,670 S * 9/2004 Ohnishi D15/7
D518,069 S * 3/2006 Van Norman D15/7
D534,547 S * 1/2007 Racer et al. D15/7
D538,824 S * 3/2007 Tojo D15/7

* cited by examiner

Primary Examiner—Ralf Seifert

(74) *Attorney, Agent, or Firm*—Manabu Kanesaka

(57) **CLAIM**

The ornamental design for a hydraulic pump, as shown.

DESCRIPTION

FIG. 1 is a front elevational view of a hydraulic pump showing our new design.

FIG. 2 is a rear elevational view thereof.

FIG. 3 is a left side elevational view thereof.

FIG. 4 is a right side elevational view thereof.

FIG. 5 is a top plan view thereof.

FIG. 6 is a bottom plan view thereof; and,

FIG. 7 is a top right front perspective view thereof.

1 Claim, 5 Drawing Sheets

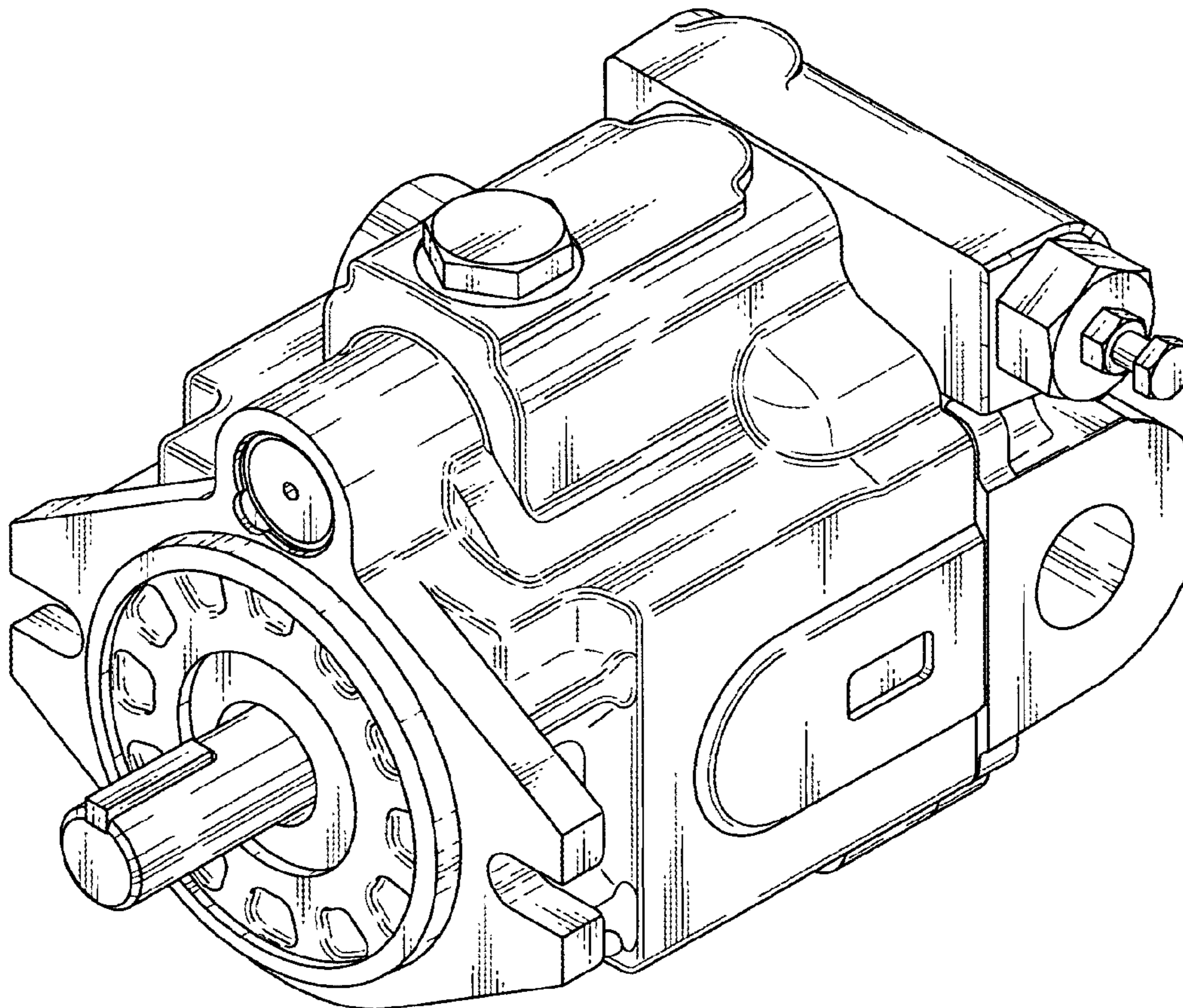


Fig. 1

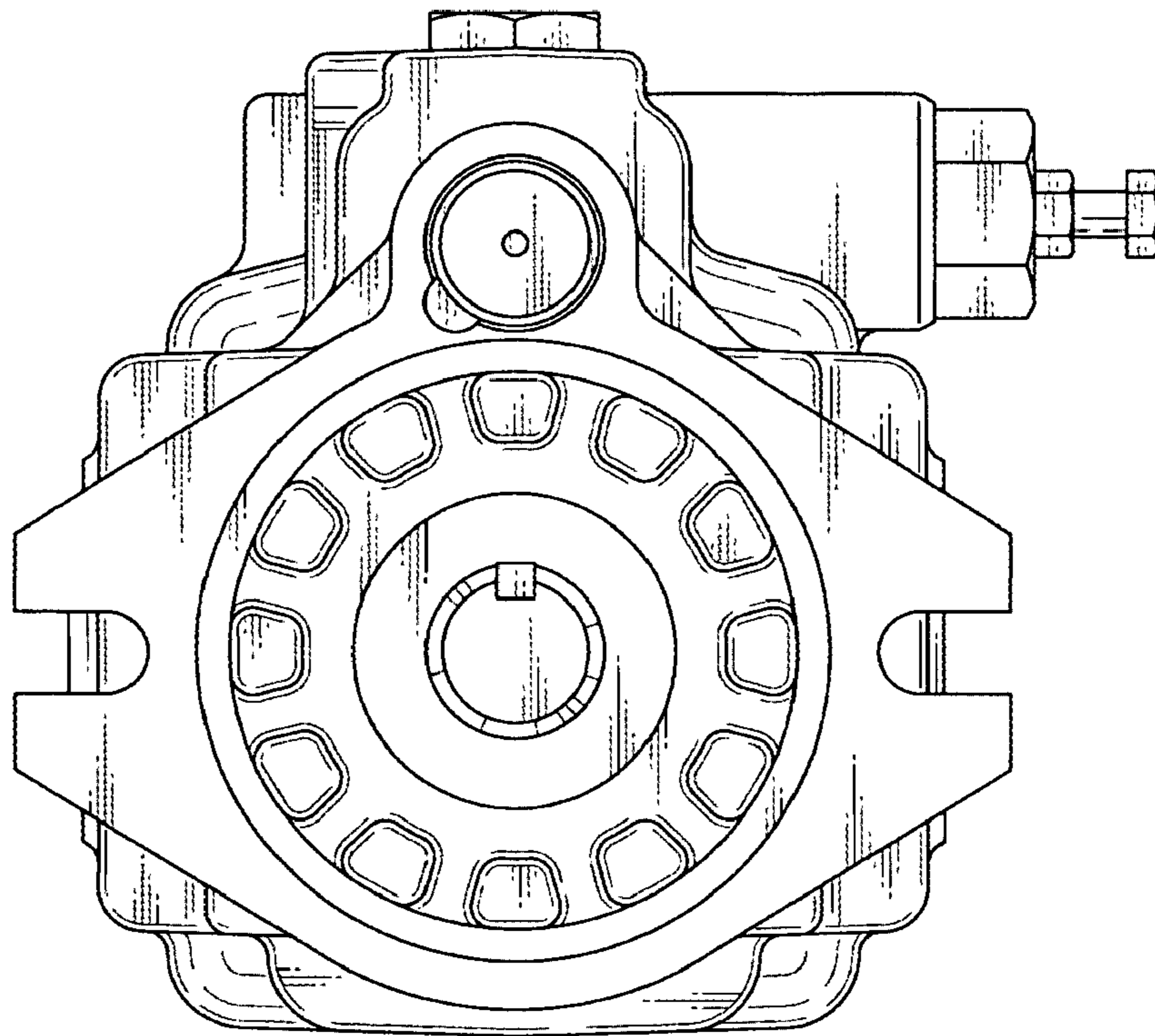


Fig. 2

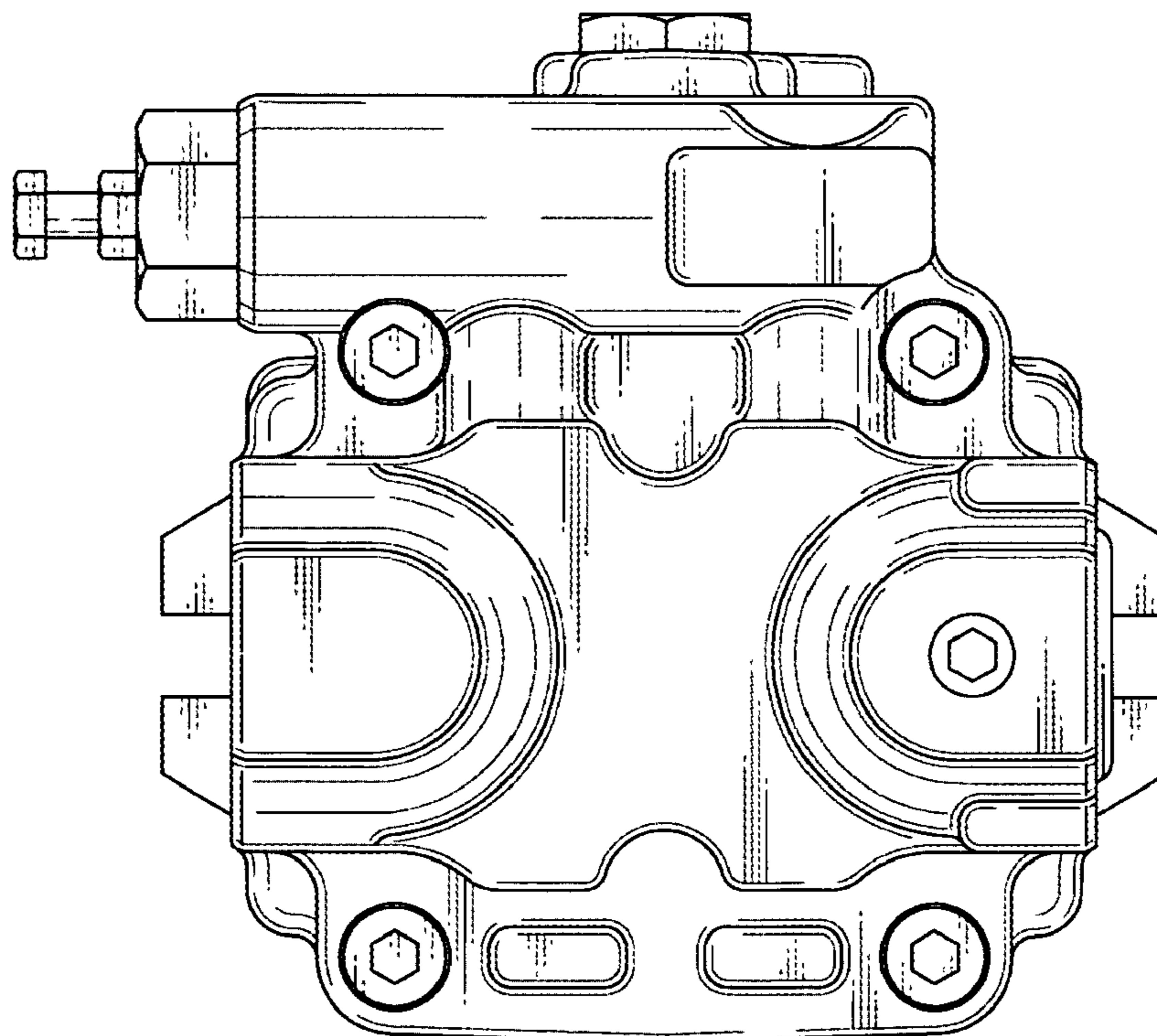


Fig. 3

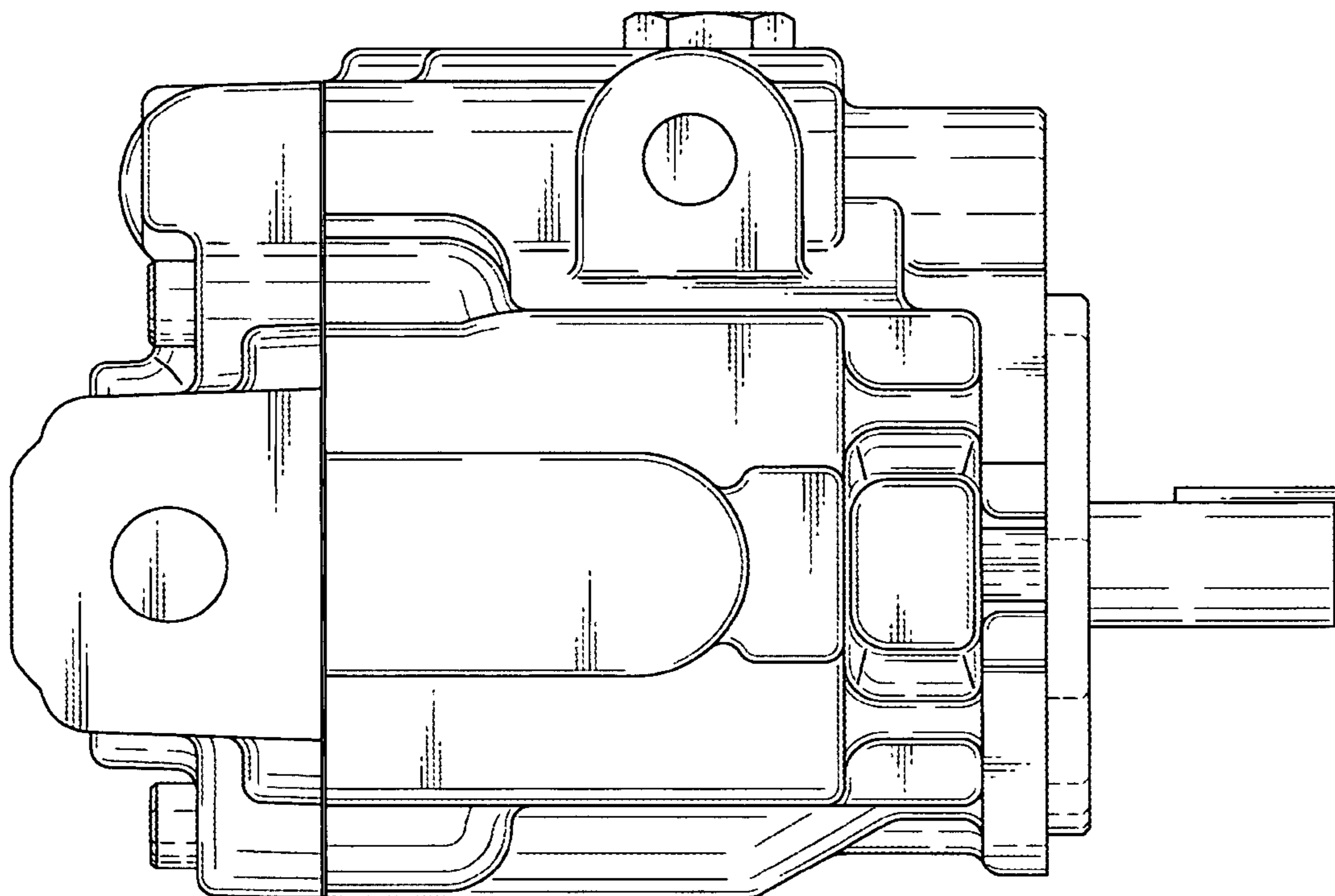


Fig. 4

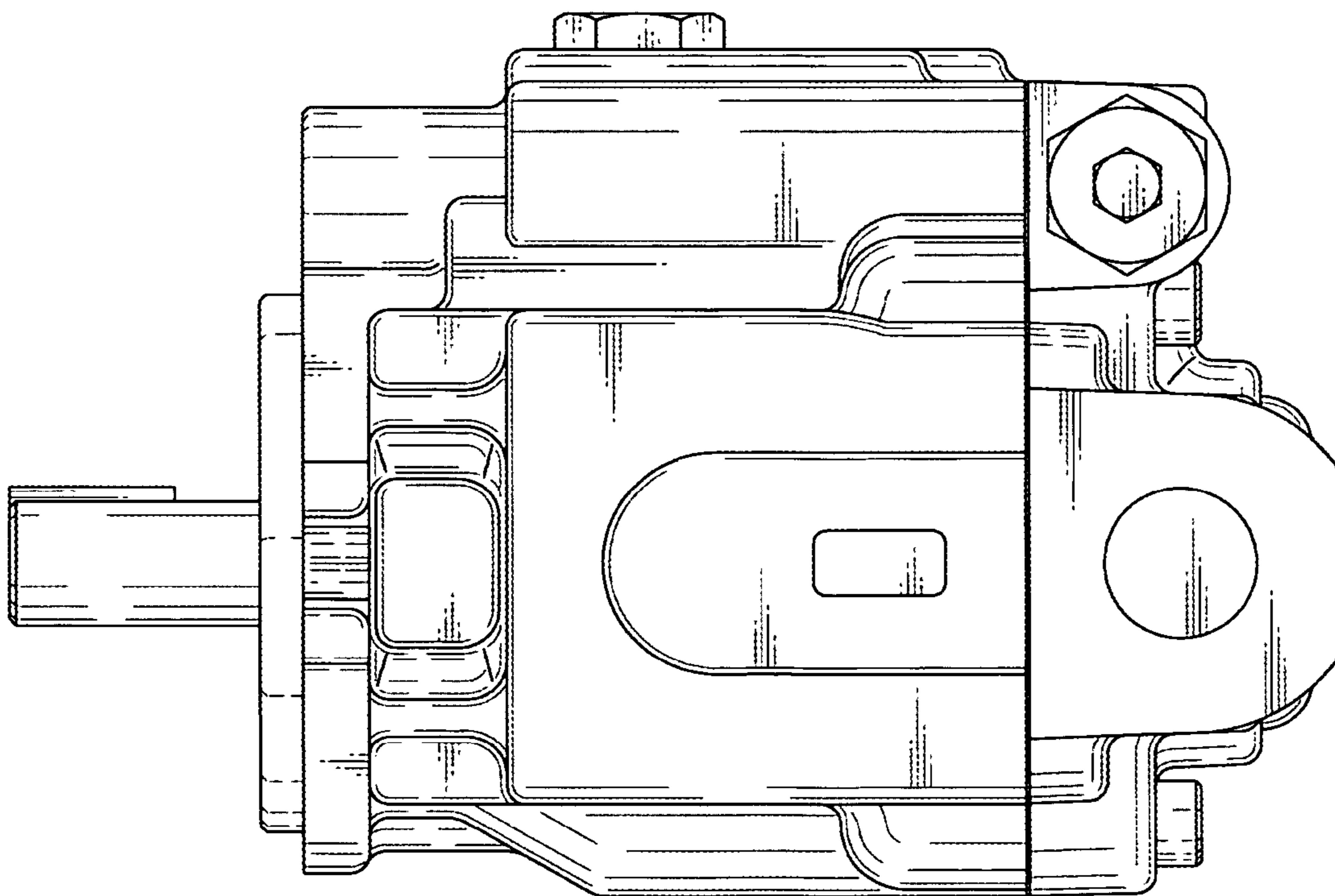


Fig. 5

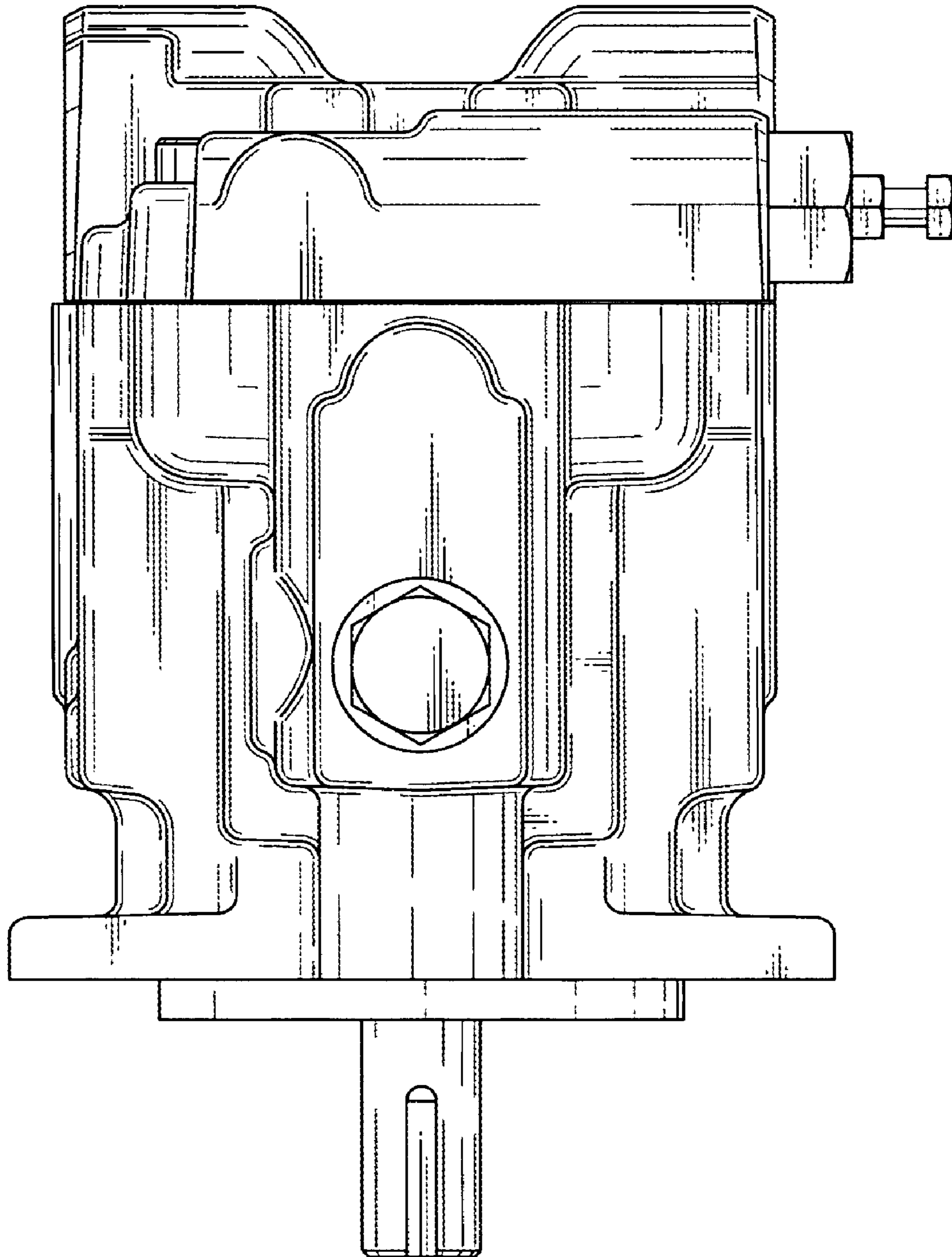


Fig. 6

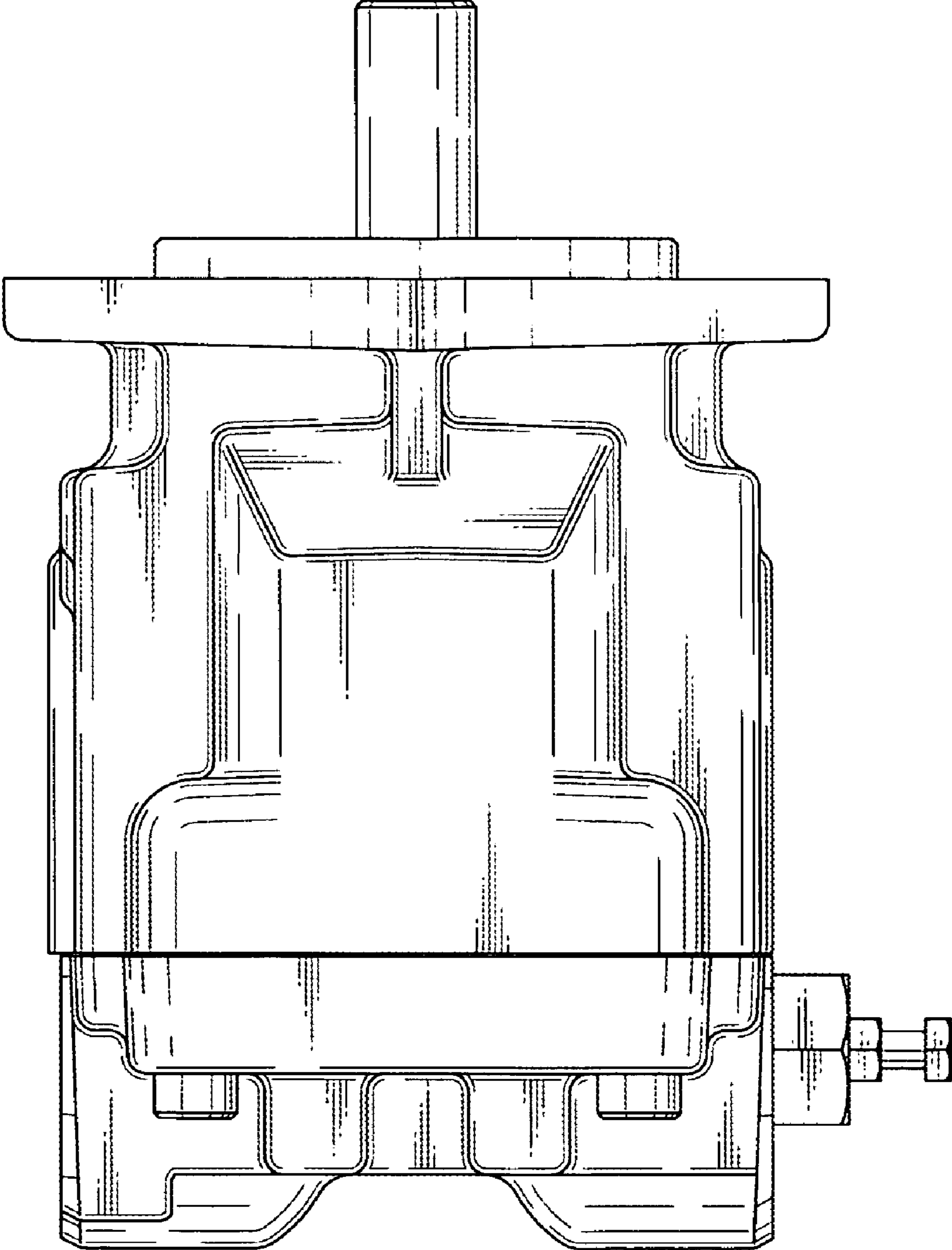


Fig. 7

