



US00D613767S

(12) **United States Design Patent**
Latsos

(10) **Patent No.:** **US D613,767 S**

(45) **Date of Patent:** **** Apr. 13, 2010**

(54) **DENTAL VACUUM PUMP**

(76) **Inventor:** **Tom Latsos**, 168 S. Van Brunt St.,
Englewood, NJ (US) 07631

(**) **Term:** **14 Years**

(21) **Appl. No.:** **29/315,176**

(22) **Filed:** **Jun. 3, 2009**

(51) **LOC (9) Cl.** **15-02**

(52) **U.S. Cl.** **D15/7**

(58) **Field of Classification Search** D15/7-9;
D23/231, 235, 225; 417/410.1, 359, 415-416,
417/234, 321, 265, 405

See application file for complete search history.

(56) **References Cited**

U.S. PATENT DOCUMENTS

D353,384 S * 12/1994 Ninomiya et al. D15/7

D497,369 S * 10/2004 Govier et al. D15/9

D532,797 S * 11/2006 Wise D15/9

* cited by examiner

Primary Examiner—Ralf Seifert

(74) *Attorney, Agent, or Firm*—Myron Amer, P.C.

(57) **CLAIM**

The ornamental design for a dental vacuum pump, as shown and described.

DESCRIPTION

FIG. 1 is a perspective view of a dental vacuum pump showing my new design; and;

FIG. 2 is a front view thereof;

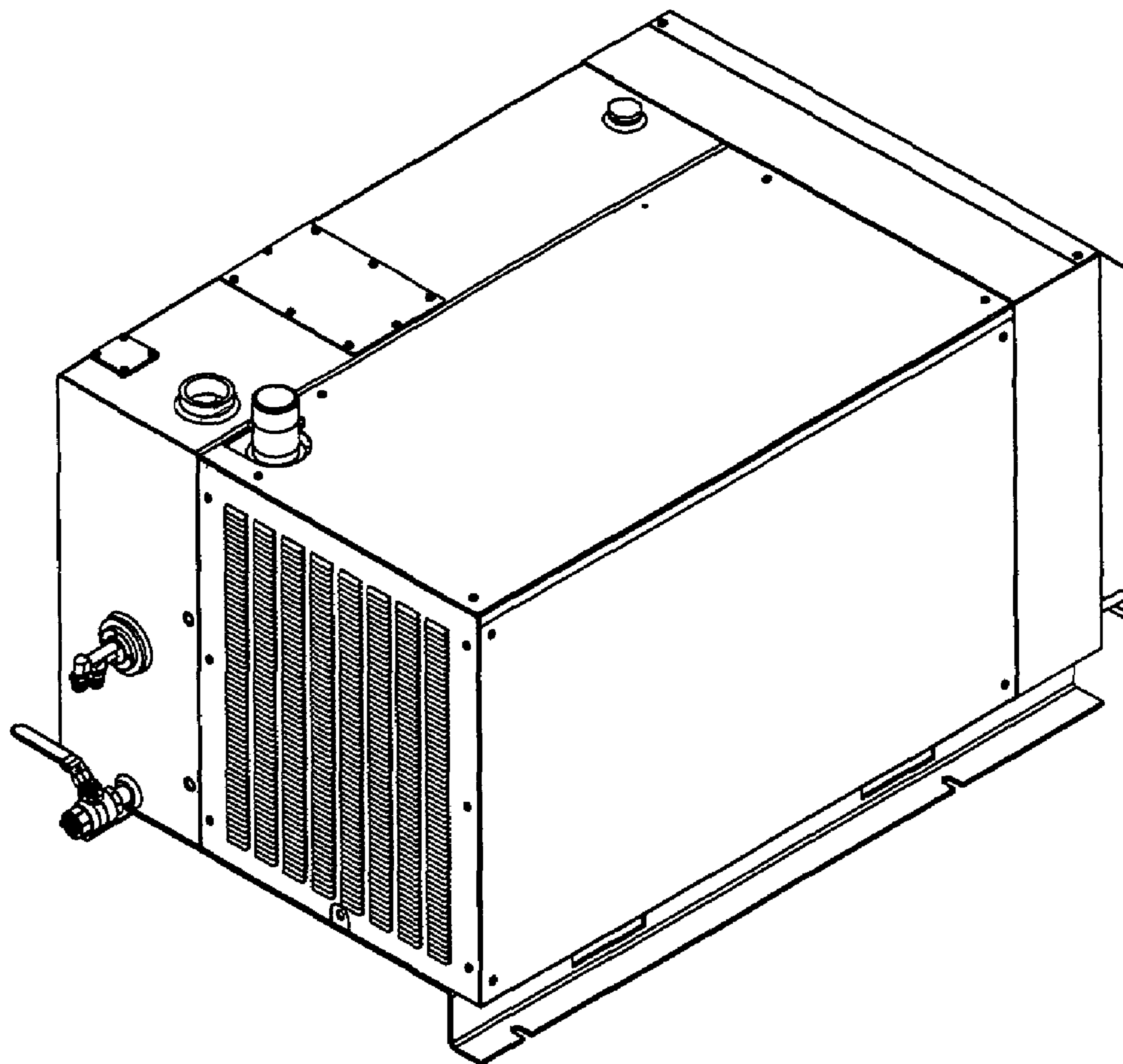
FIG. 3 is a left side elevational view thereof;

FIG. 4 is a right side elevational view thereof;

FIG. 5 is a top view thereof; and,

FIG. 6 is a bottom view thereof.

1 Claim, 1 Drawing Sheet



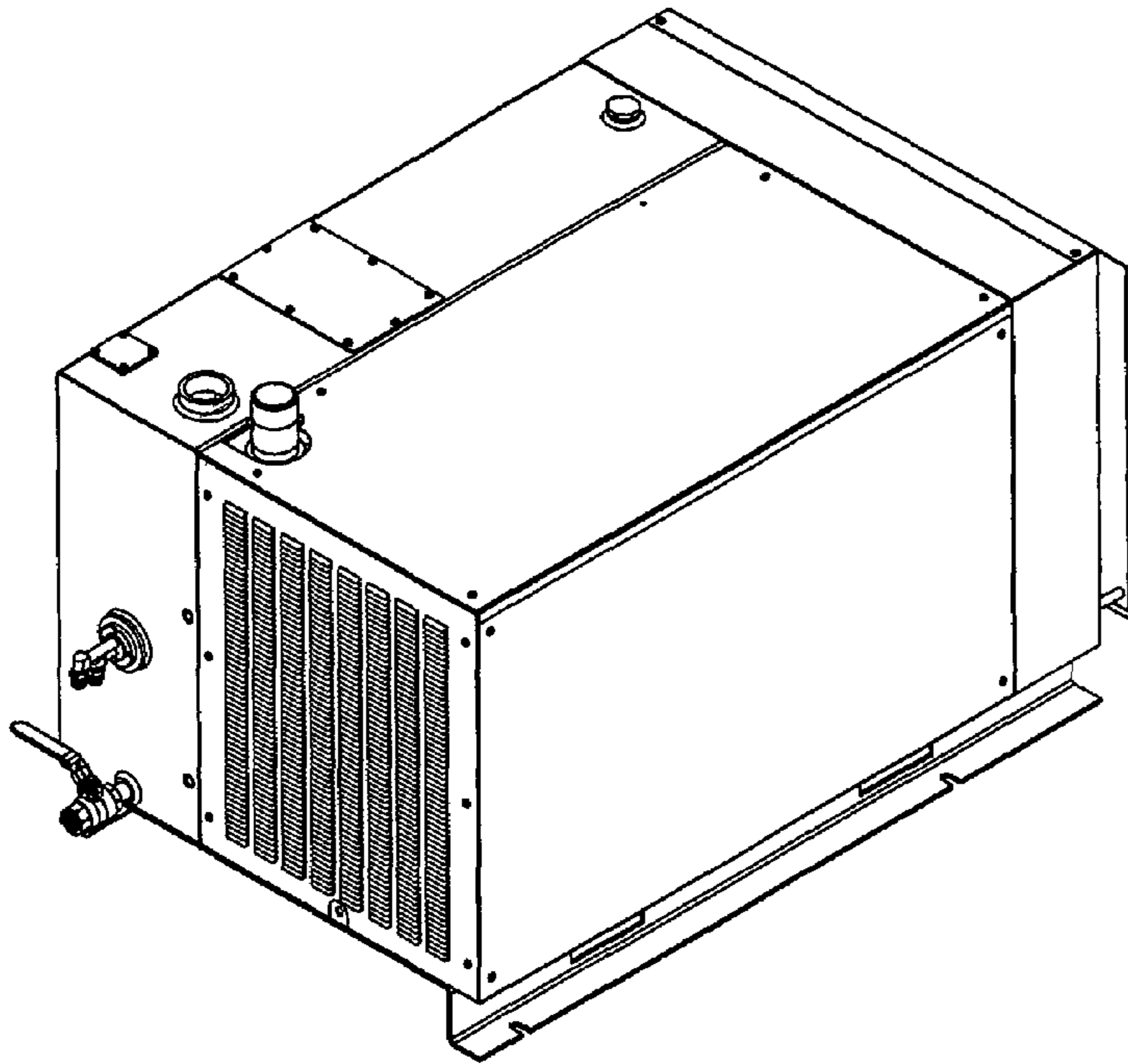


Fig. 1

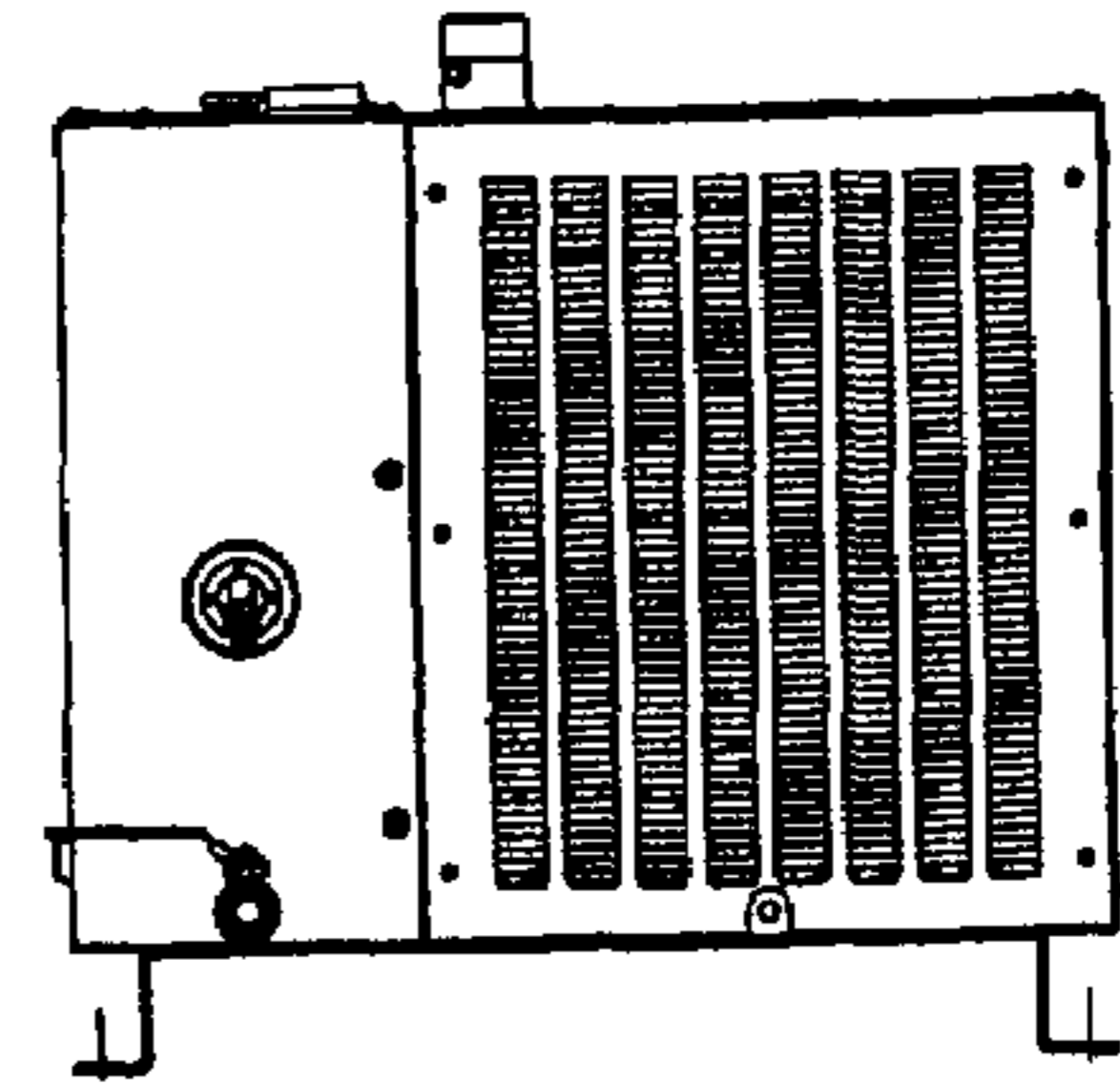


Fig. 2

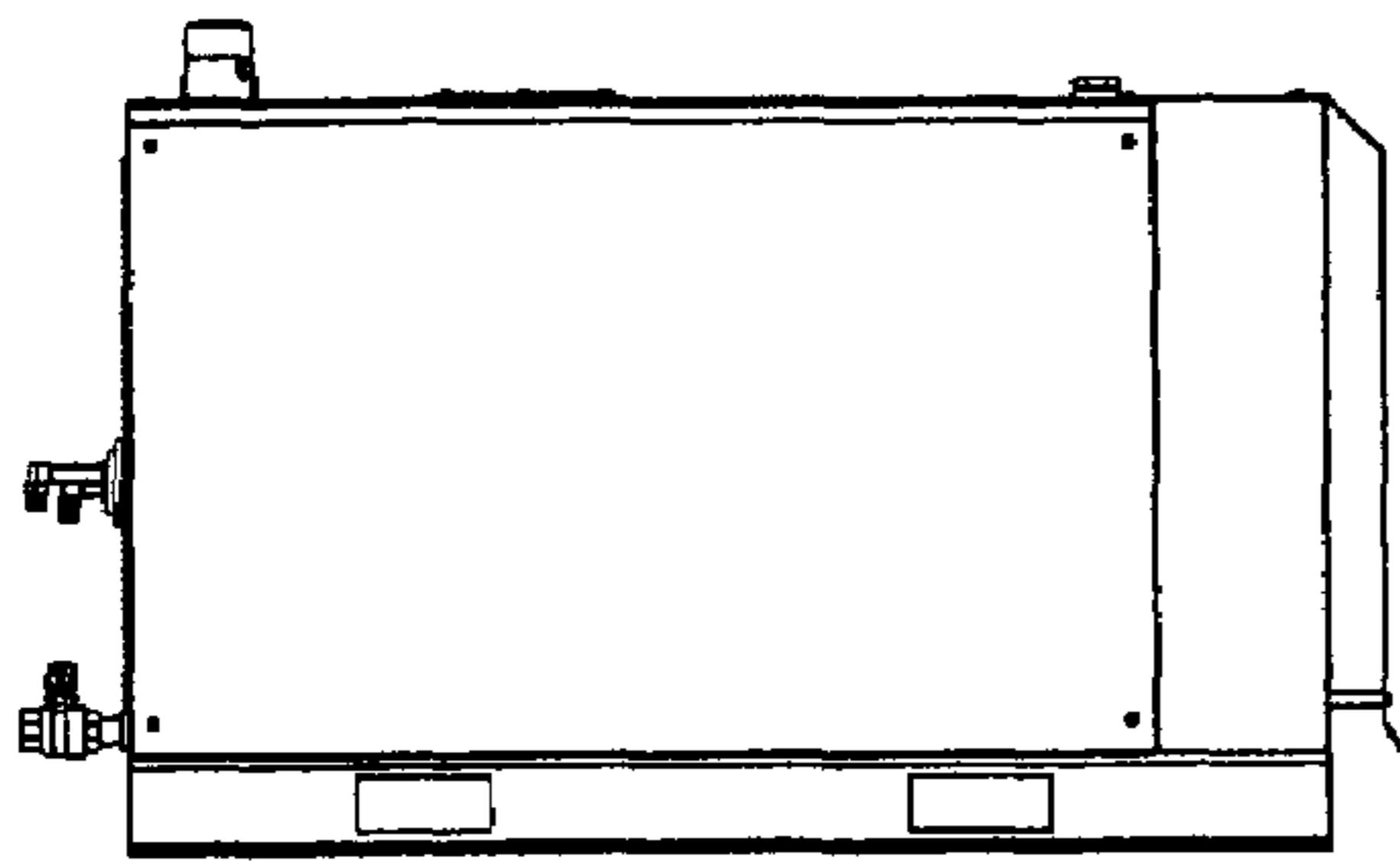


Fig. 3

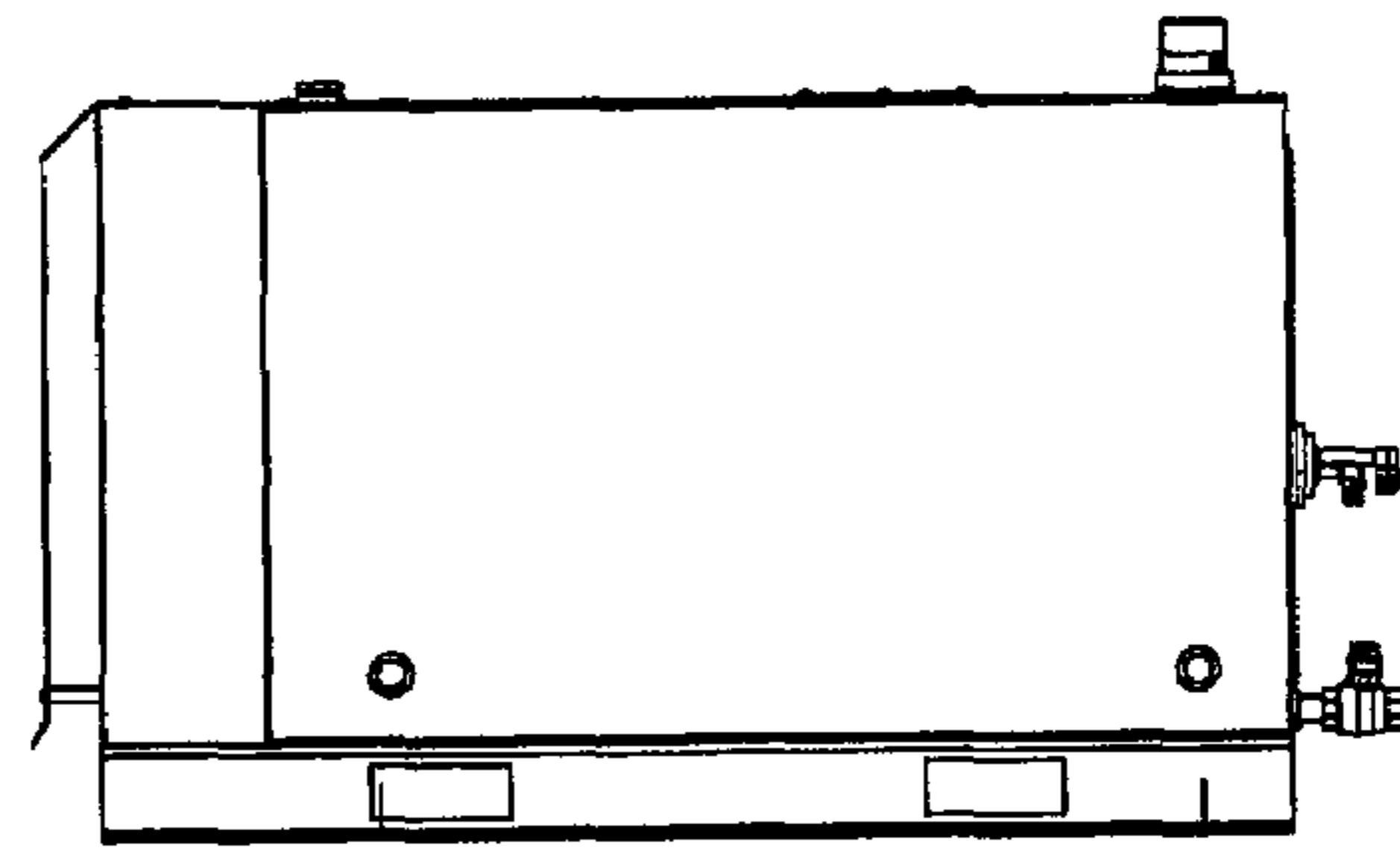


Fig. 4

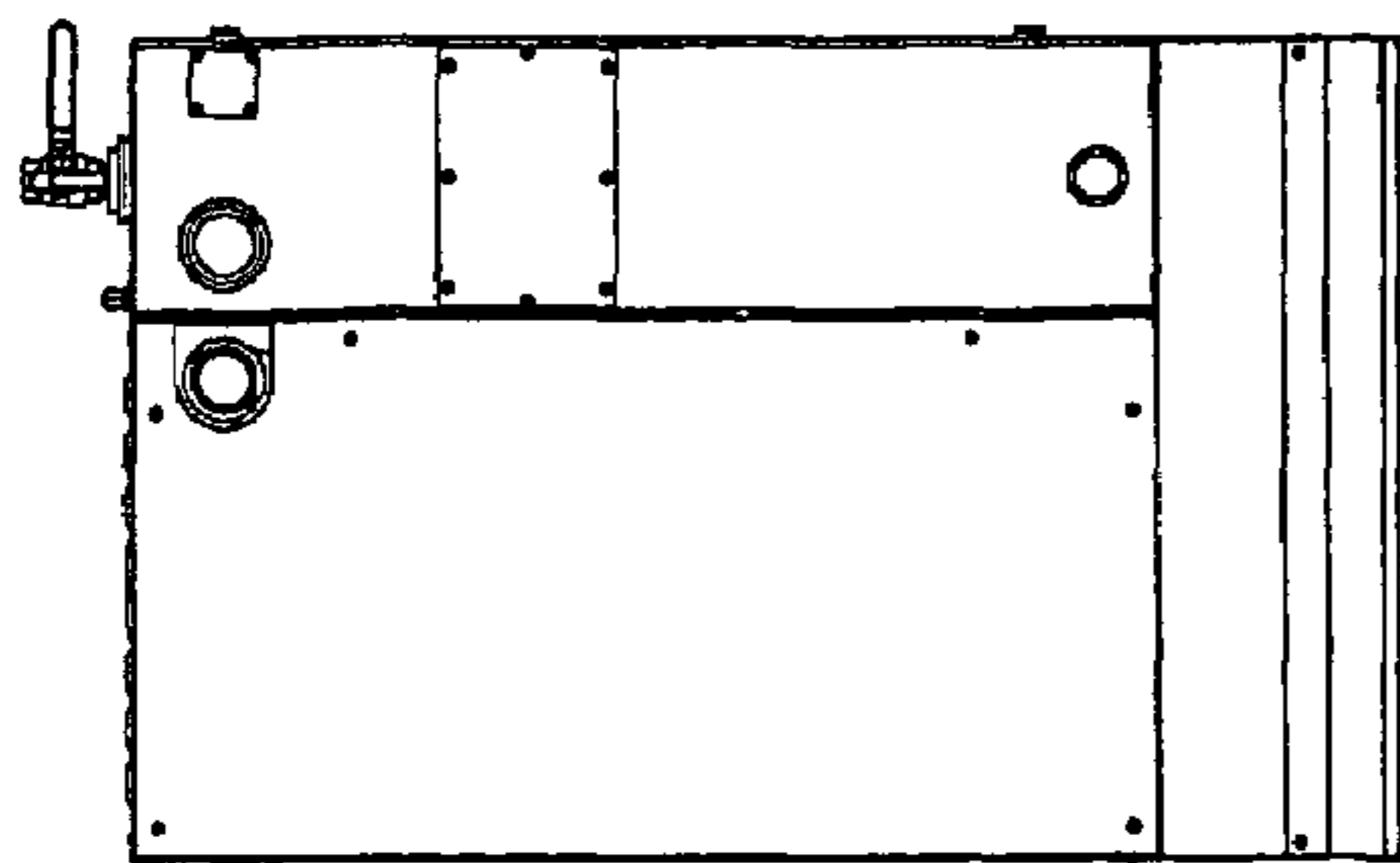


Fig. 5

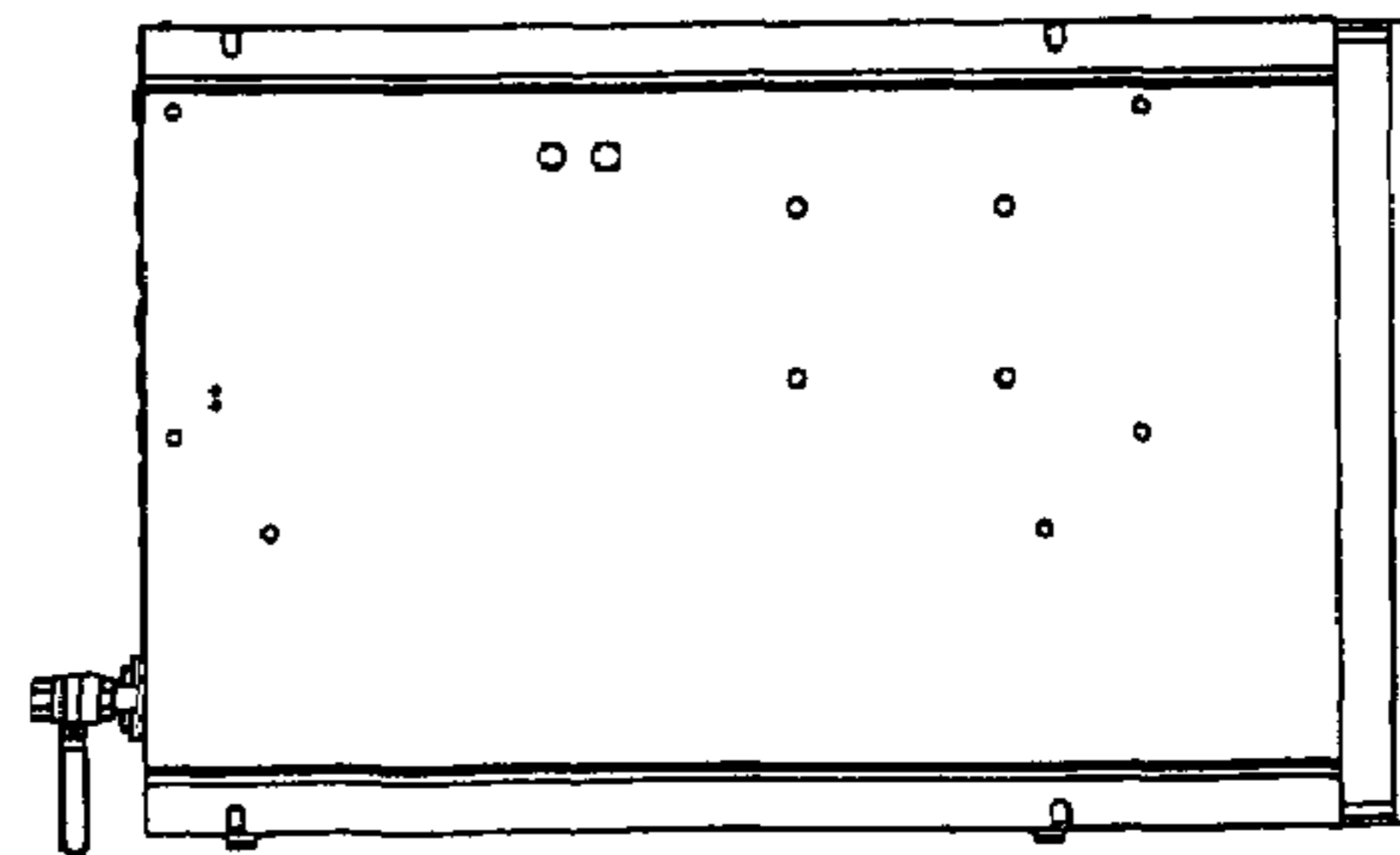


Fig. 6