



US00D613765S

(12) **United States Design Patent**
Reverberi et al.

(10) **Patent No.:** **US D613,765 S**

(45) **Date of Patent:** **** Apr. 13, 2010**

(54) **PISTON PUMP**

(75) Inventors: **Stefano Reverberi**, Modena (IT);
Maurizio Magri, Modena (IT)

(73) Assignee: **Annovi Reverberi S.p.A.**, Modena (IT)

(**) Term: **14 Years**

(21) Appl. No.: **29/322,168**

(22) Filed: **Jul. 30, 2008**

(30) **Foreign Application Priority Data**

Mar. 31, 2008 (EM) 000906185

(51) **LOC (9) Cl.** **15-01**

(52) **U.S. Cl.** **D15/5**

(58) **Field of Classification Search** D15/1-9.1;
60/408-409, 443-445, 448, 451-452; 417/91-98,
417/60, 360, 366, 900; 123/495, 509; 415/140-147;
184/26; D13/114

See application file for complete search history.

(56) **References Cited**

U.S. PATENT DOCUMENTS

D271,976 S * 12/1983 Brown D15/7

D273,586 S * 4/1984 Hodgson D15/7

D496,670 S * 9/2004 Ohnishi D15/7

D528,982 S * 9/2006 Reverberi D13/122

D536,005 S * 1/2007 Reverberi D15/5

* cited by examiner

Primary Examiner—Ian Simmons

Assistant Examiner—Wan Laymon

(74) *Attorney, Agent, or Firm*—Browdy and Neimark, PLLC

(57) **CLAIM**

The ornamental design for a “piston pump,” as shown and described.

DESCRIPTION

FIG. 1 is a front view of a piston pump showing our new design;

FIG. 2 is a rear view thereof;

FIG. 3 is a bottom plan view thereof;

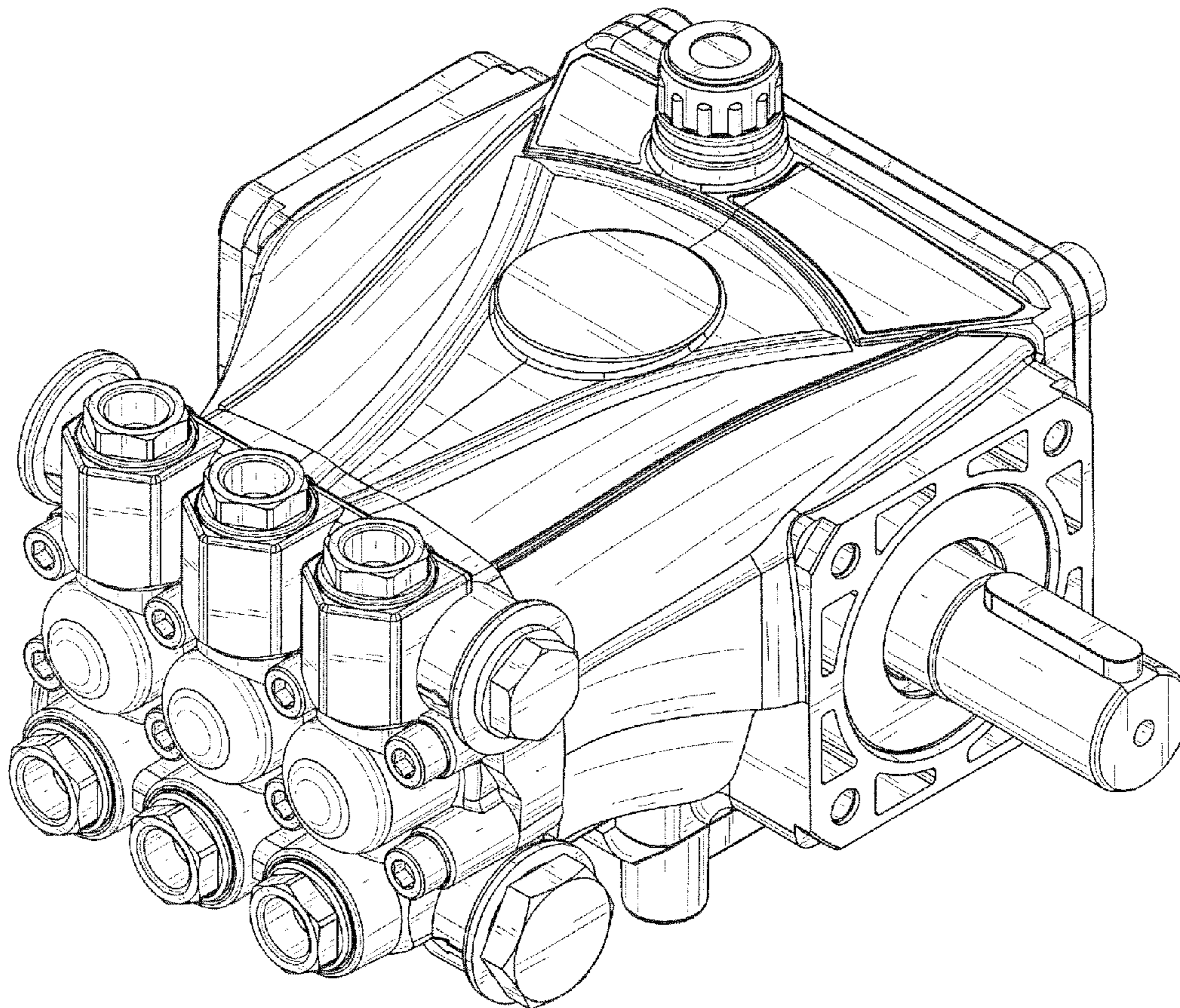
FIG. 4 is a top plan view thereof;

FIG. 5 is a right side view thereof;

FIG. 6 is a left side view thereof; and,

FIG. 7 is a perspective view thereof.

1 Claim, 7 Drawing Sheets



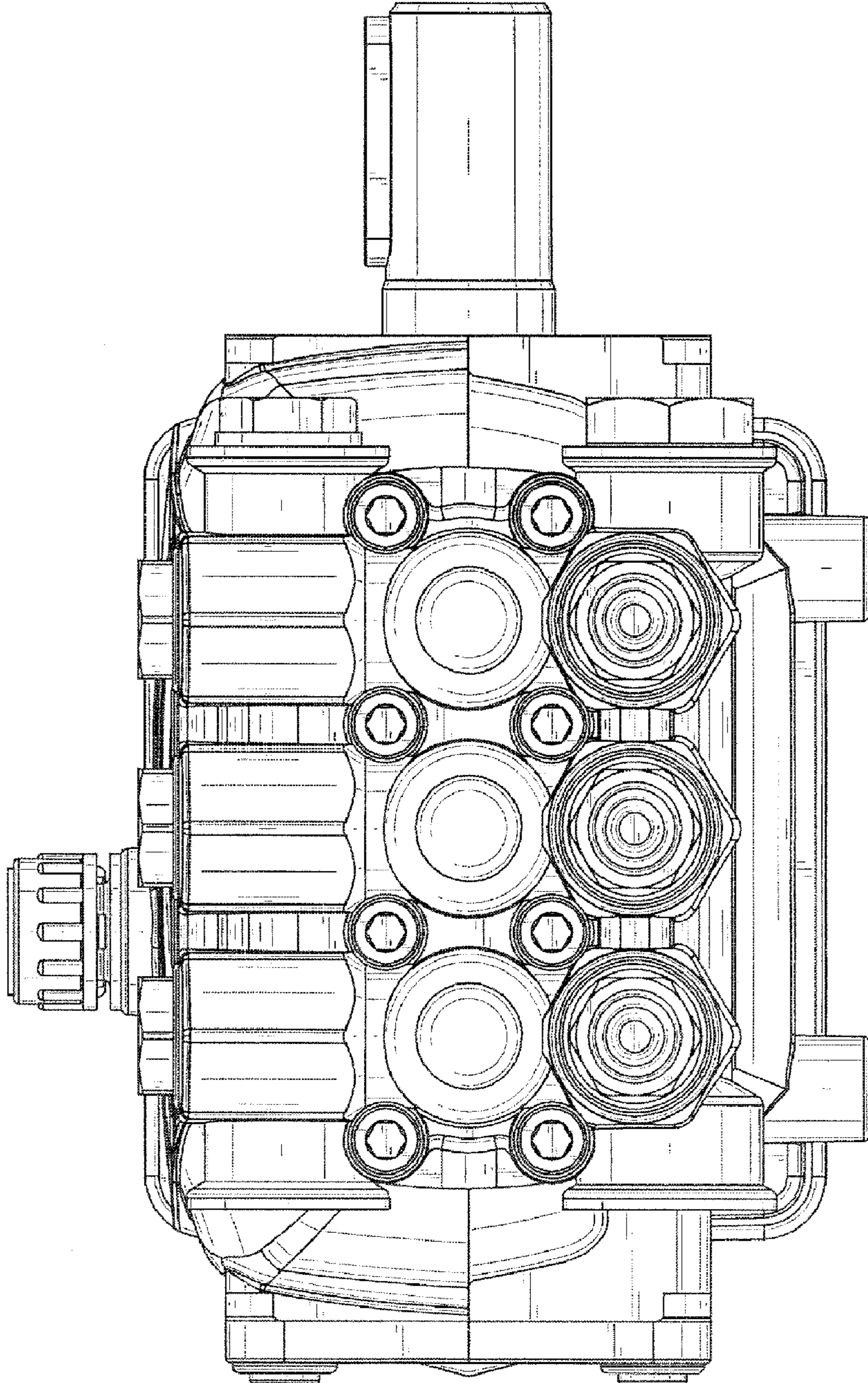


FIG. 1

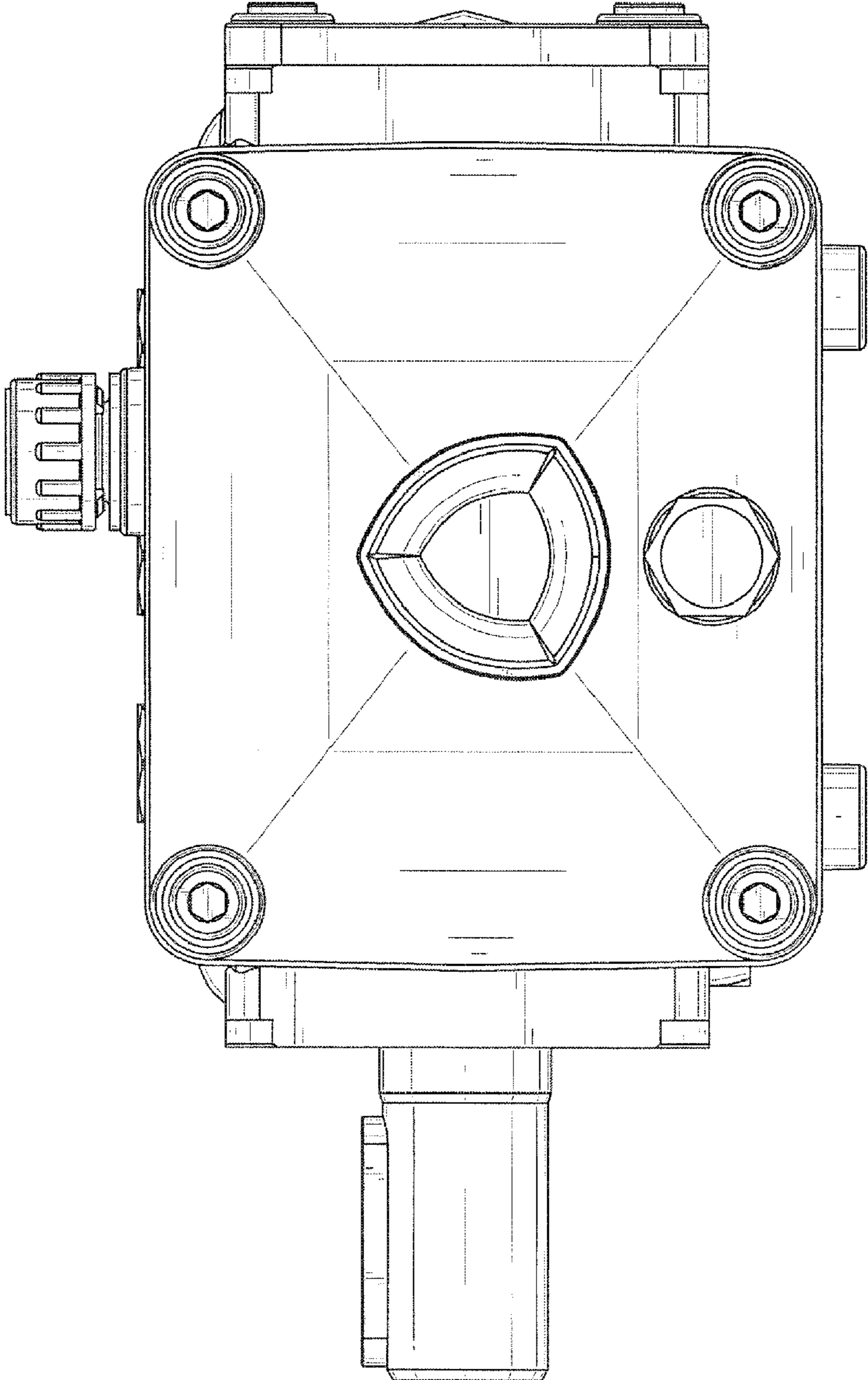


FIG. 2

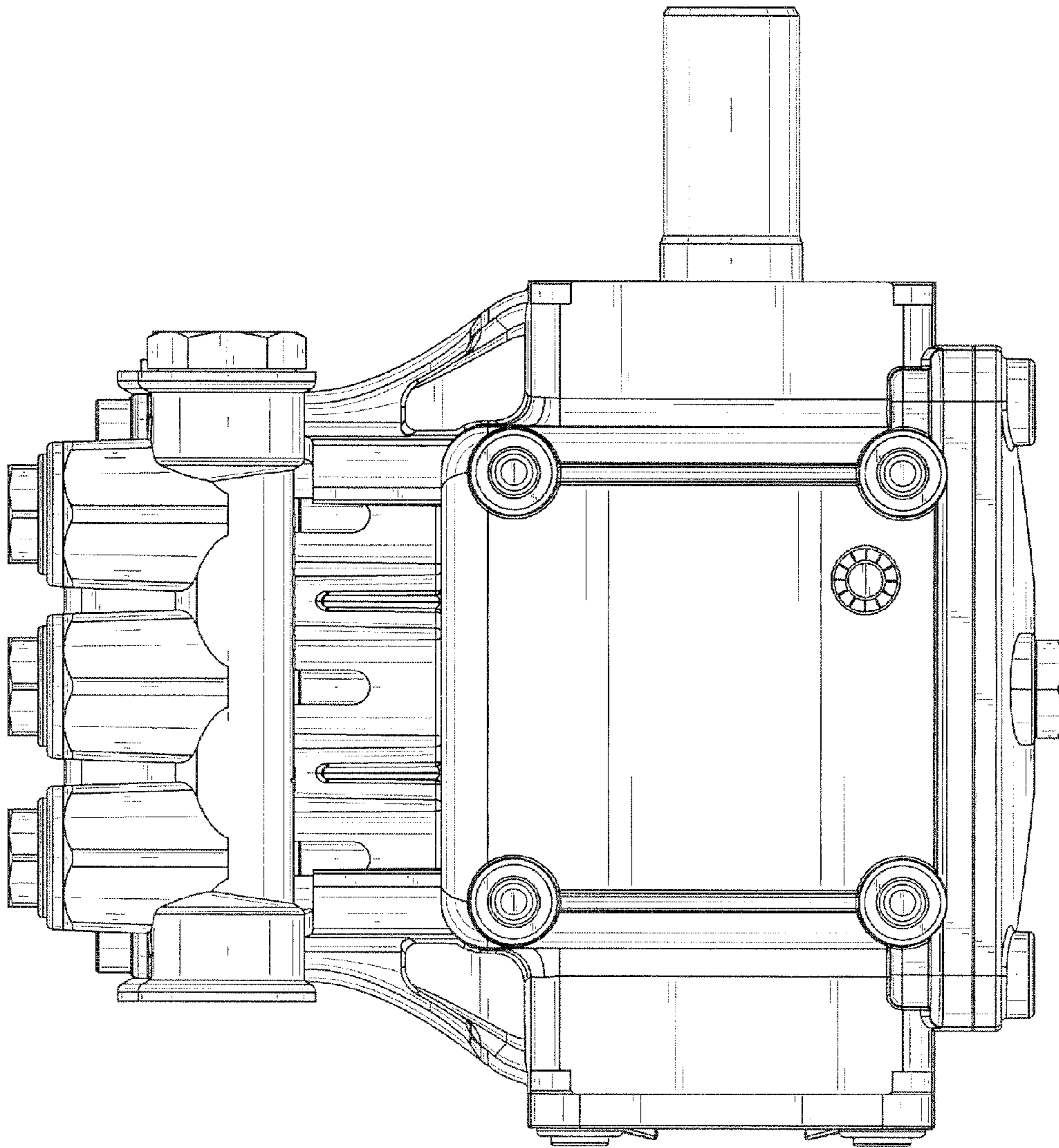


FIG. 3

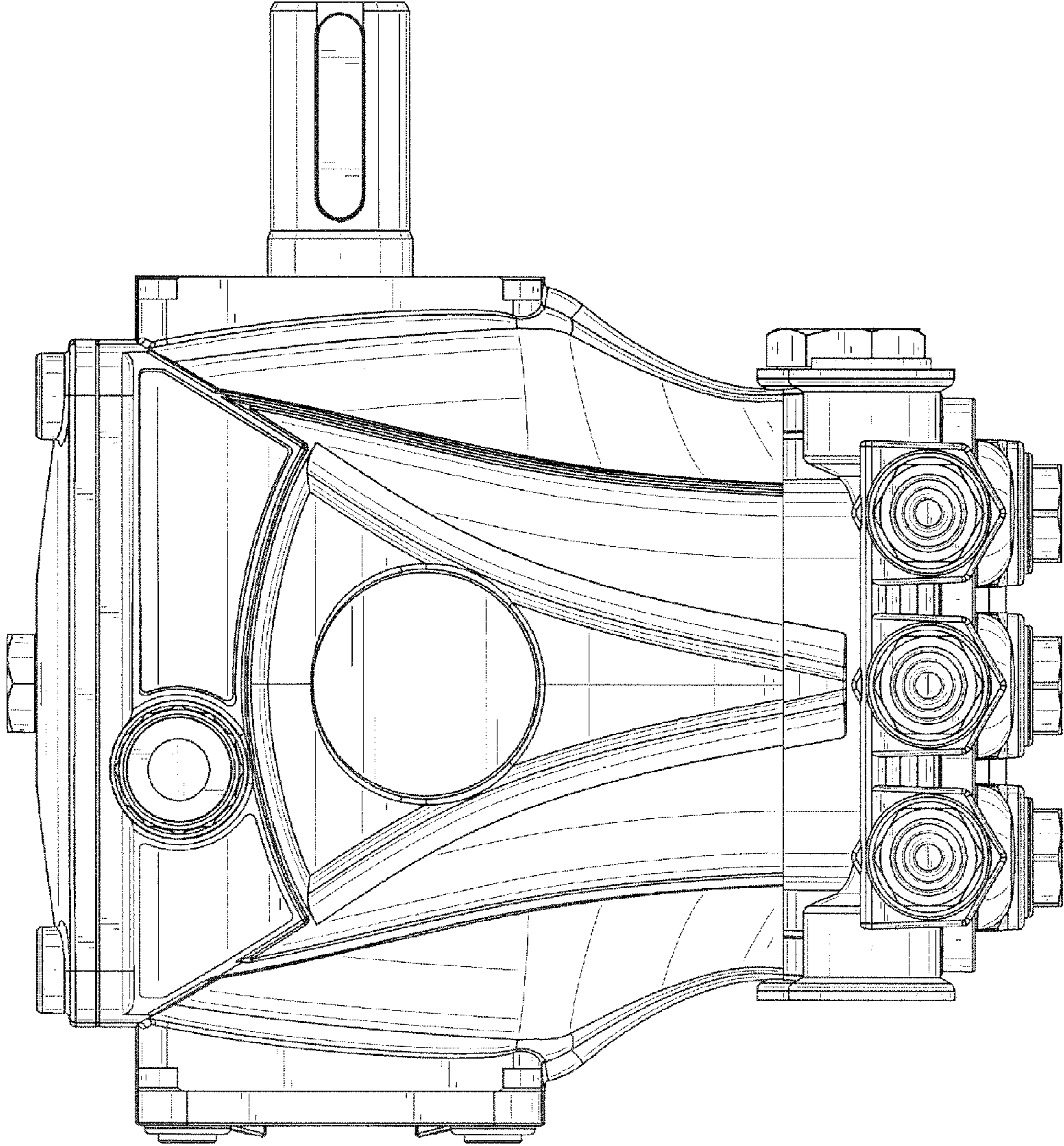


FIG. 4

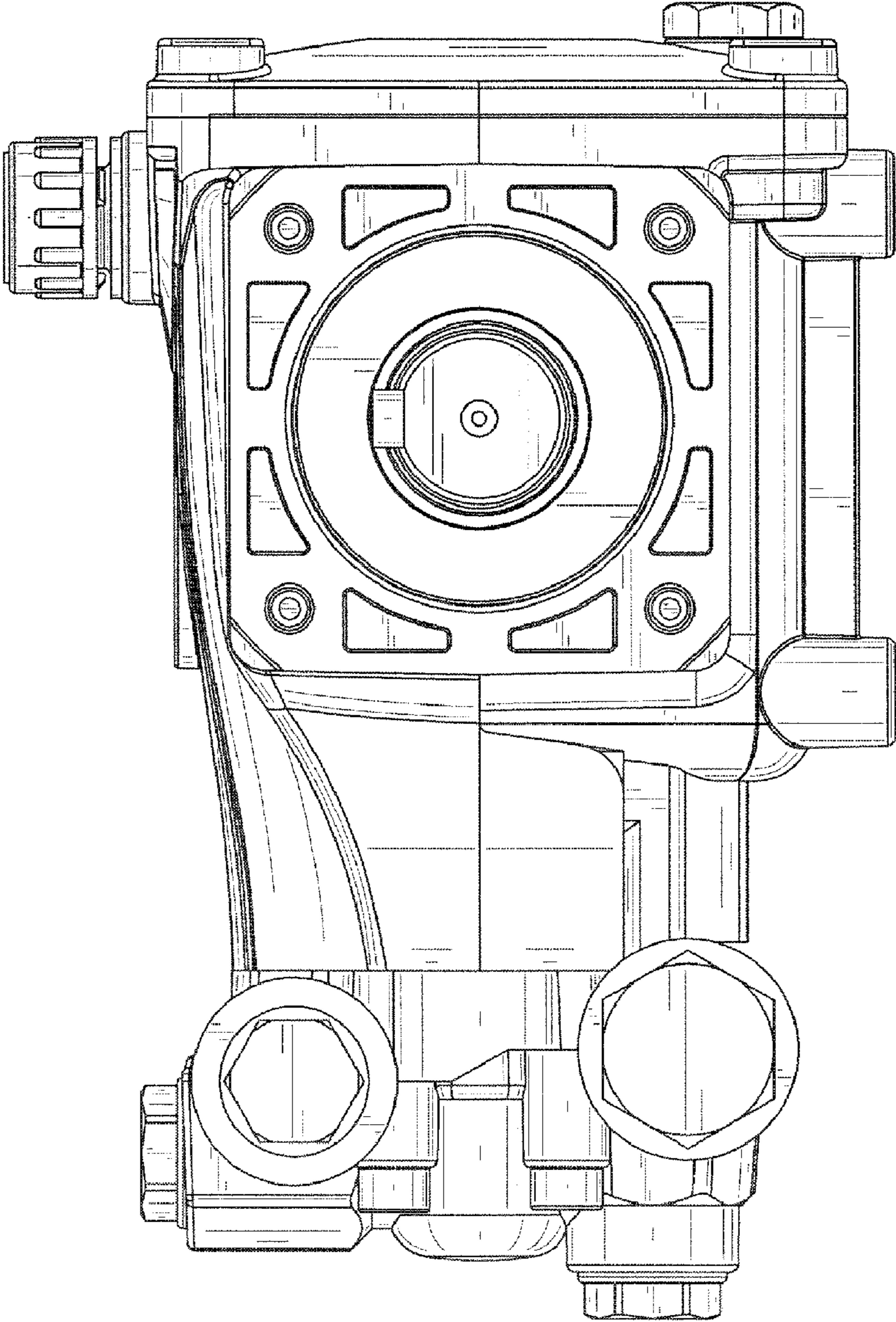


FIG. 5

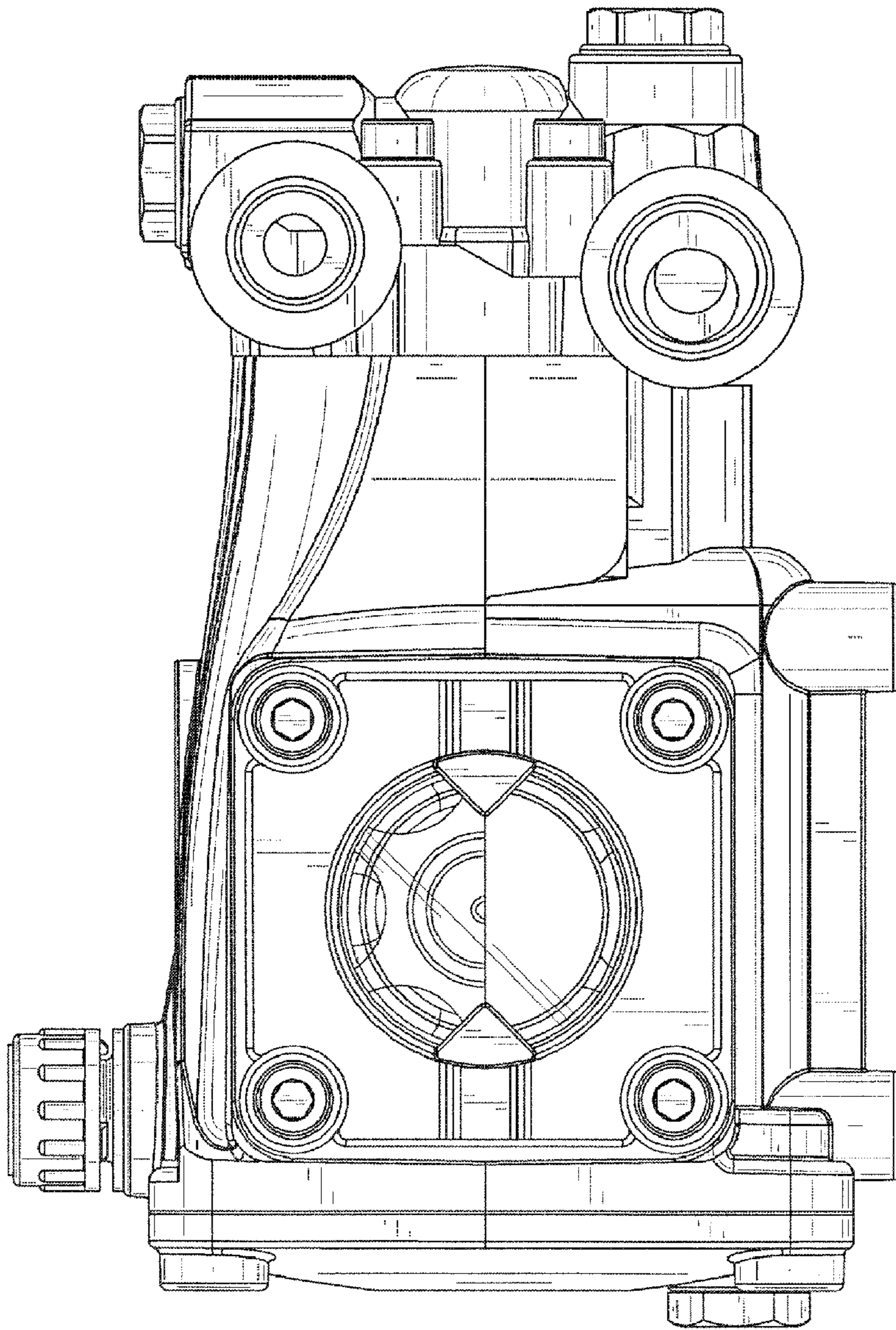


FIG. 6

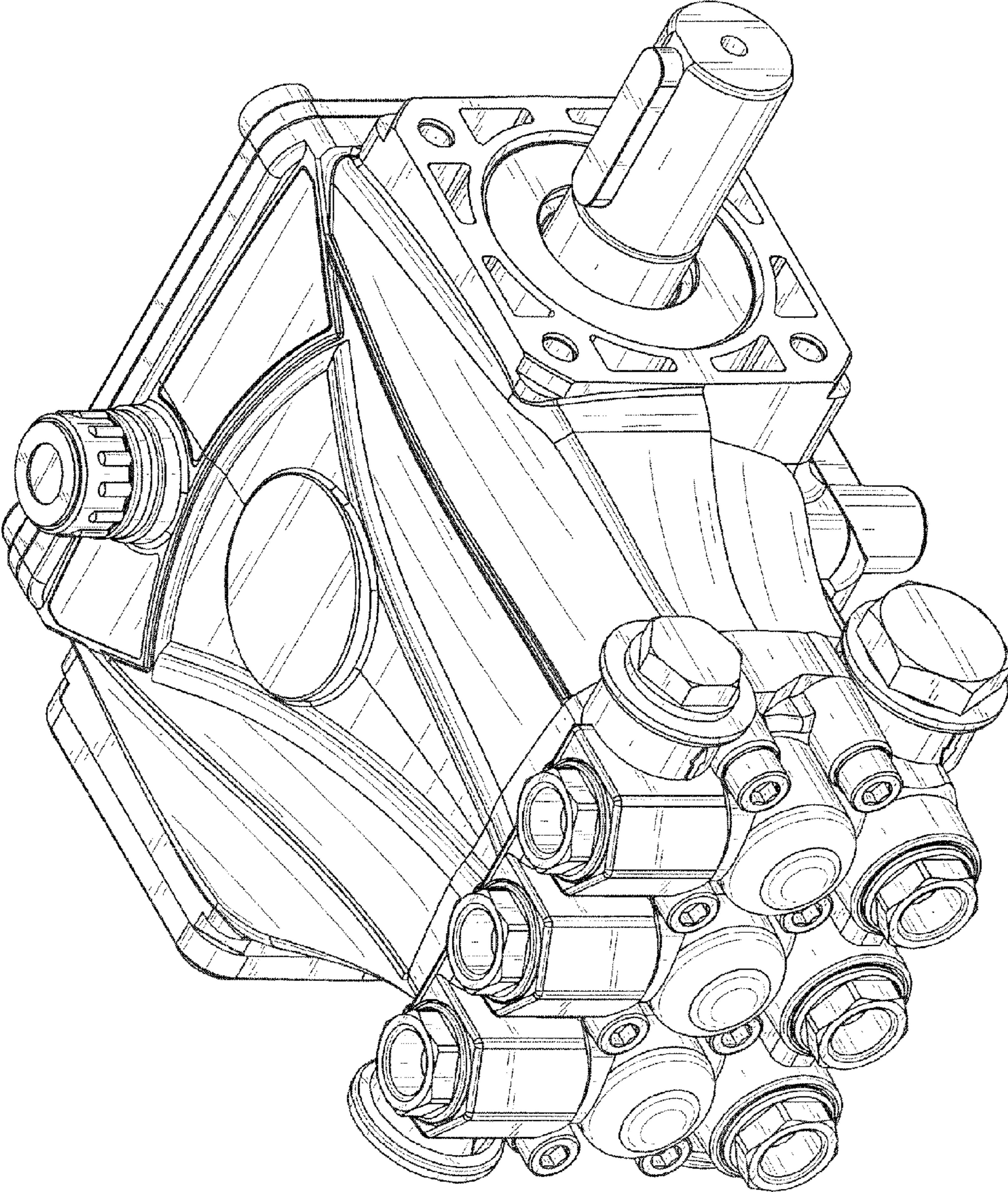


FIG. 7