



US00D613756S

(12) **United States Design Patent**
Moreau et al.

(10) **Patent No.:** **US D613,756 S**
(45) **Date of Patent:** **** Apr. 13, 2010**

(54) **ICON FOR A DISPLAY SCREEN**

(75) Inventors: **Samuel J. Moreau**, Snoqualmie, WA (US); **Mike Pell**, Woodinville, WA (US); **Lindsey R. Barcheck**, Seattle, WA (US); **Kieran M. Phelan**, Seattle, WA (US); **Ginger J. Gloystein**, Seattle, WA (US); **Martin J. Hall**, Seattle, WA (US); **Denise Michele Trabona**, Seattle, WA (US)

(73) Assignee: **Microsoft Corporation**, Redmond, WA (US)

(**) Term: **14 Years**

(21) Appl. No.: **29/336,187**

(22) Filed: **Apr. 29, 2009**

(51) **LOC (9) Cl.** **32-00**

(52) **U.S. Cl.** **D14/493**

(58) **Field of Classification Search** D14/485–495; D18/26, 31–33; D20/11–12, 23–25, 29–32, D20/36–38; 715/700–867, 973–977
See application file for complete search history.

(56) **References Cited**

U.S. PATENT DOCUMENTS

D296,218	S	*	6/1988	Wells-Papanek et al.	...	D14/493
D296,705	S	*	7/1988	Wells-Papanek et al.	...	D14/493
D389,135	S	*	1/1998	Yamamoto et al.	D14/493
D404,389	S	*	1/1999	Mullin et al.	D14/493
5,920,315	A	*	7/1999	Santos-Gomez	715/792
D463,445	S	*	9/2002	Hoxie et al.	D14/495
D526,655	S	*	8/2006	McDougall et al.	D14/485
D529,508	S	*	10/2006	Gusmorino et al.	D14/485
D534,179	S	*	12/2006	Gusmorino et al.	D14/492
D536,701	S	*	2/2007	Gusmorino et al.	D14/492
7,178,109	B2	*	2/2007	Hewson et al.	715/790
7,188,319	B2	*	3/2007	Amadio et al.	715/835
7,194,696	B2	*	3/2007	Mori	715/783
7,219,302	B1	*	5/2007	O'Shaughnessy et al.	...	715/752
7,227,940	B2	*	6/2007	Gibson	715/760
7,240,094	B2	*	7/2007	Hackney et al.	715/202

D550,247	S	*	9/2007	Viegers et al.	D14/492
D551,247	S	*	9/2007	Van Dongen et al.	D14/492
D551,248	S		9/2007	Pieratt et al.		
D553,149	S	*	10/2007	Viegers	D14/492
D554,665	S		11/2007	Pieratt et al.		
D557,704	S		12/2007	O'Donnell et al.		
D565,591	S		4/2008	O'Donnell et al.		
D575,303	S		8/2008	O'Donnell et al.		

(Continued)

OTHER PUBLICATIONS

OAMI-Online—RCD-Online—Design consultation service—RCD information. Design Registration No. 000329461-0002, filed on Apr. 23, 2005, published on Aug. 23, 2005.*

(Continued)

Primary Examiner—Cathron C Brooks
Assistant Examiner—Karen E Kearney
(74) *Attorney, Agent, or Firm*—Banner & Witcoff, Ltd.

(57) **CLAIM**

The ornamental design for an icon for a display screen, as shown and described.

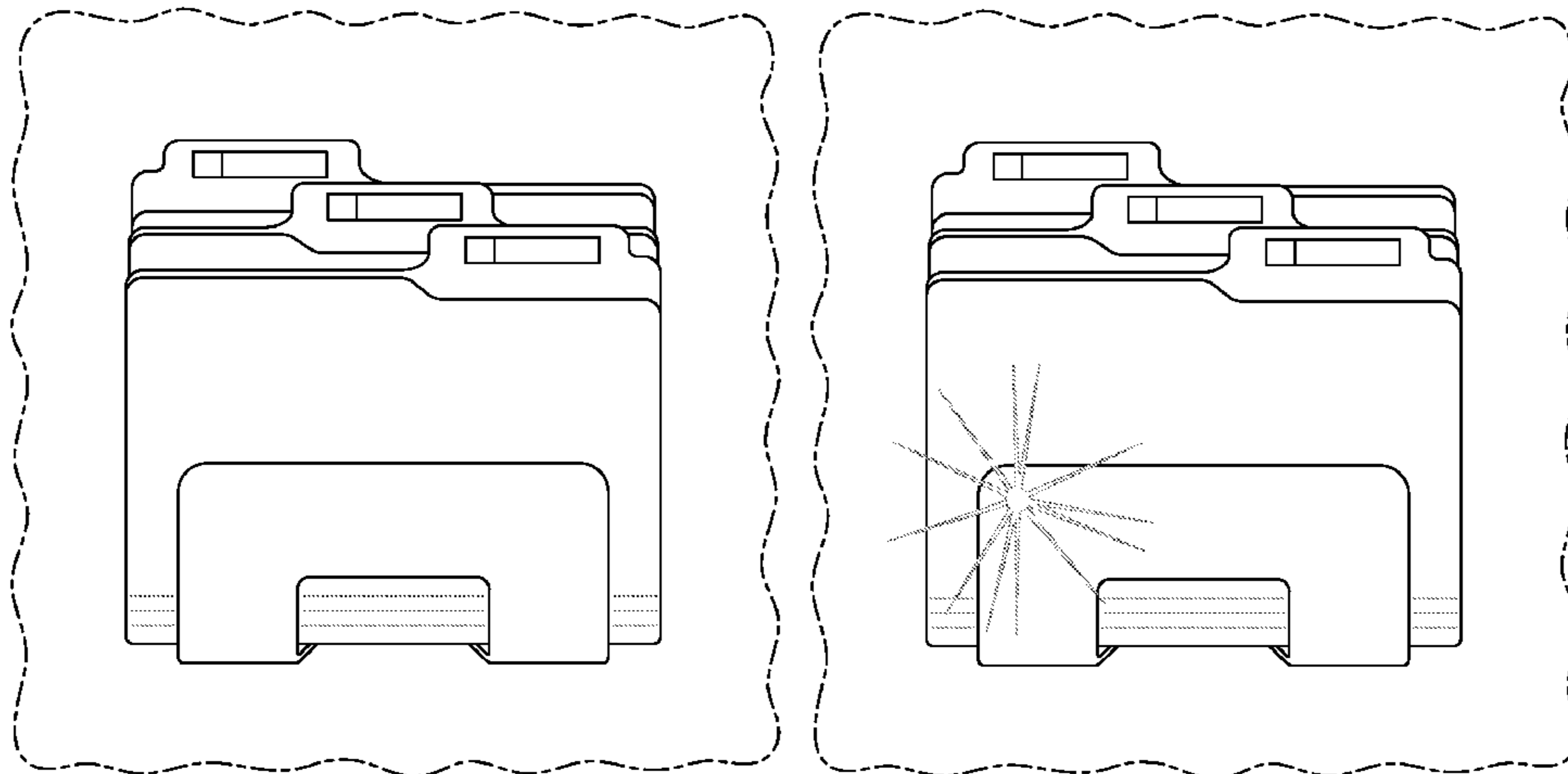
DESCRIPTION

FIG. 1 is a front view of an icon for a display screen showing our new design; and,

FIG. 2 is a front view of an icon for a display screen showing an alternative embodiment of our new design.

The broken line showing of the display screen is for environmental purposes only and forms no part of the claimed design.

1 Claim, 2 Drawing Sheets



US D613,756 S

Page 2

U.S. PATENT DOCUMENTS

D579,947 S * 11/2008 Kim et al. D14/486
D585,903 S * 2/2009 Yamaoka D14/485
D590,417 S 4/2009 Barcheck et al.
7,596,766 B1 * 9/2009 Sharma et al. 715/854
7,603,622 B2 * 10/2009 Choi et al. 715/716
7,627,552 B2 * 12/2009 Moore et al. 715/854
2002/0140742 A1 * 10/2002 Lektion et al. 345/835

2009/0299861 A1* 12/2009 Littlefield et al. 715/764

OTHER PUBLICATIONS

OAMI-Online—RCD-Online—Design consultation service—RCD information. Design Registration No. 000329461-0001, filed on Apr. 23, 2005, published on Aug. 23, 2005.*

* cited by examiner

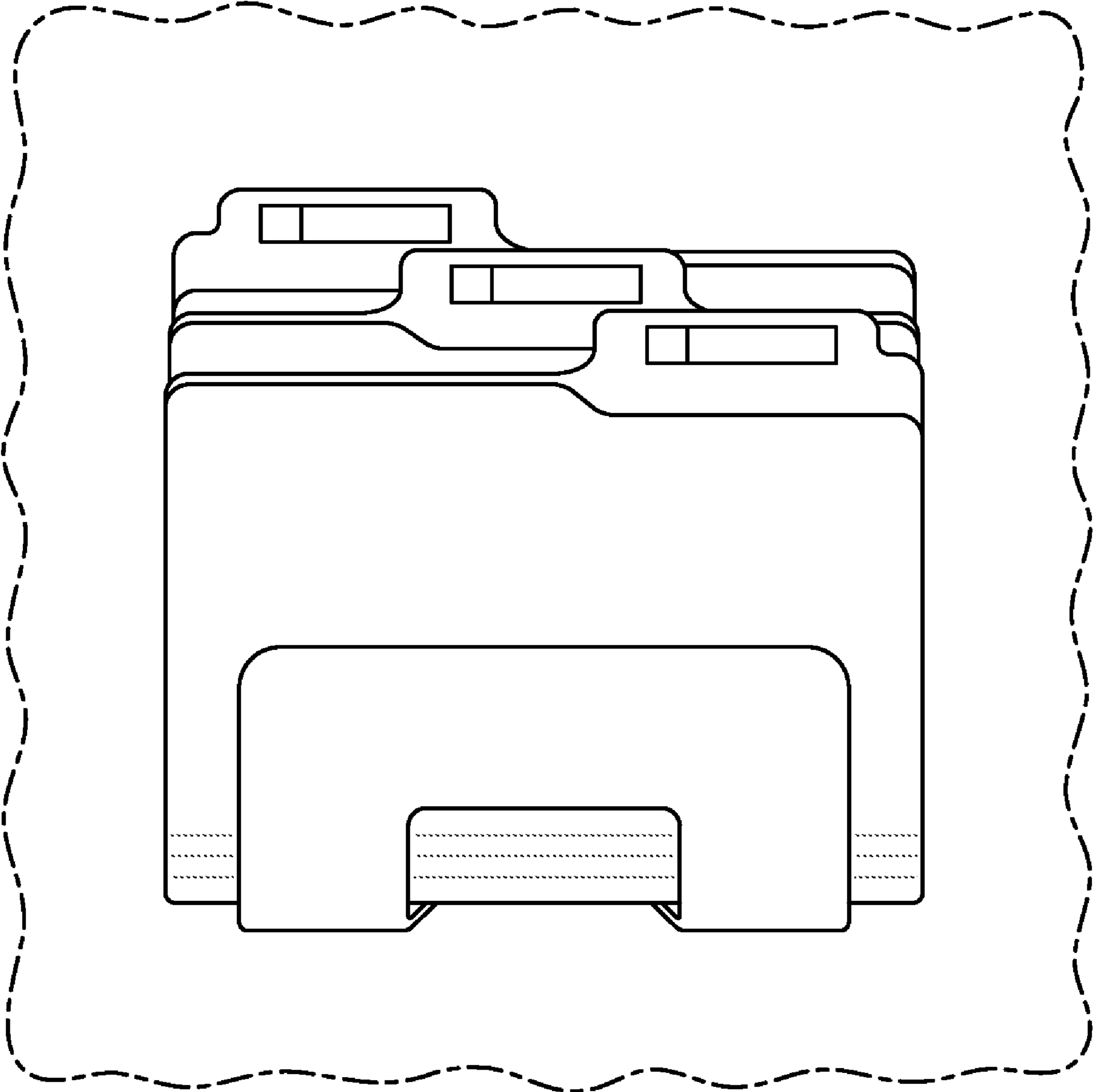


FIG. 1

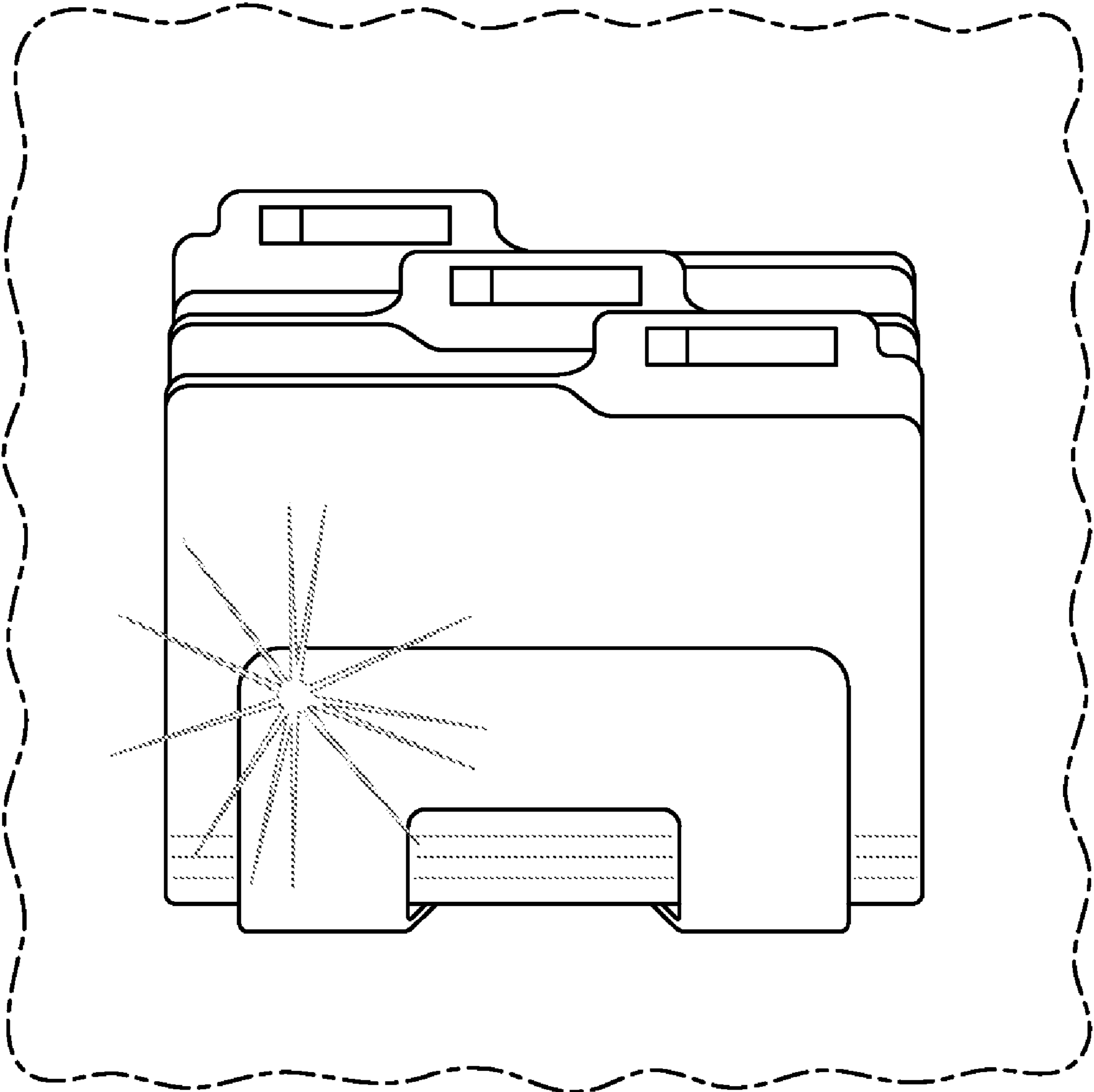


FIG. 2