



US00D613745S

(12) **United States Design Patent**
Arbisi et al.

(10) **Patent No.:** **US D613,745 S**
(45) **Date of Patent:** **** Apr. 13, 2010**

(54) **NETBOOK KEYBOARD**

(75) Inventors: **Thomas Arbisi**, Newbury Park, CA (US); **Duncan Burns**, Tarzana, CA (US); **Ian Buckle**, Surrey (GB)

(73) Assignee: **Nokia Corporation**, Espoo (FI)

(**) Term: **14 Years**

(21) Appl. No.: **29/336,940**

(22) Filed: **May 12, 2009**

(51) **LOC (9) Cl.** **14-02**

(52) **U.S. Cl.** **D14/455**; D14/315

(58) **Field of Classification Search** D14/315-327, D14/455, 456; D18/1, 2, 7, 11; 235/145 A, 235/145 R; 341/22, 23; 345/156, 157, 168, 345/169, 173; 361/679.01, 679.02, 679.09, 361/679.27; 348/373; 715/783

See application file for complete search history.

(56) **References Cited**

U.S. PATENT DOCUMENTS

D431,559 S *	10/2000	Morooka	D14/318
D453,756 S *	2/2002	Kamegi	D14/318
D463,797 S *	10/2002	Andre et al.	D14/327
D476,326 S *	6/2003	Tanimura	D14/318
D477,827 S *	7/2003	Yoneda	D14/455
D479,841 S *	9/2003	Tago et al.	D14/323
D481,386 S *	10/2003	Kondo	D14/318
6,670,950 B1 *	12/2003	Chin et al.	345/173
D499,726 S *	12/2004	Kurokawa	D14/318

D516,079 S *	2/2006	Solomon et al.	D14/455
D577,013 S *	9/2008	Harris et al.	D14/317
2005/0018396 A1 *	1/2005	Nakajima et al.	361/683
2005/0041378 A1 *	2/2005	Hamada et al.	361/680

OTHER PUBLICATIONS

Asus Eee—Disclosed Jun. 5, 2007; Released Oct. 16, 2007; 1 color sheet of photographs.

Dell Inspiron Mini 9—Disclosed Sep. 4, 2008; Released Sep. 16, 2008; 1 color sheet of photographs.

Lenovo S10—Disclosed Aug. 4, 2008; Released Oct. 8, 2008; 1 color sheet of photographs.

* cited by examiner

Primary Examiner—Freda S Nunn

(74) *Attorney, Agent, or Firm*—Banner & Witcoff, Ltd.

(57) **CLAIM**

The ornamental design for a netbook keyboard, as shown and described.

DESCRIPTION

FIG. 1 is a left perspective front view of a netbook keyboard showing our new design;

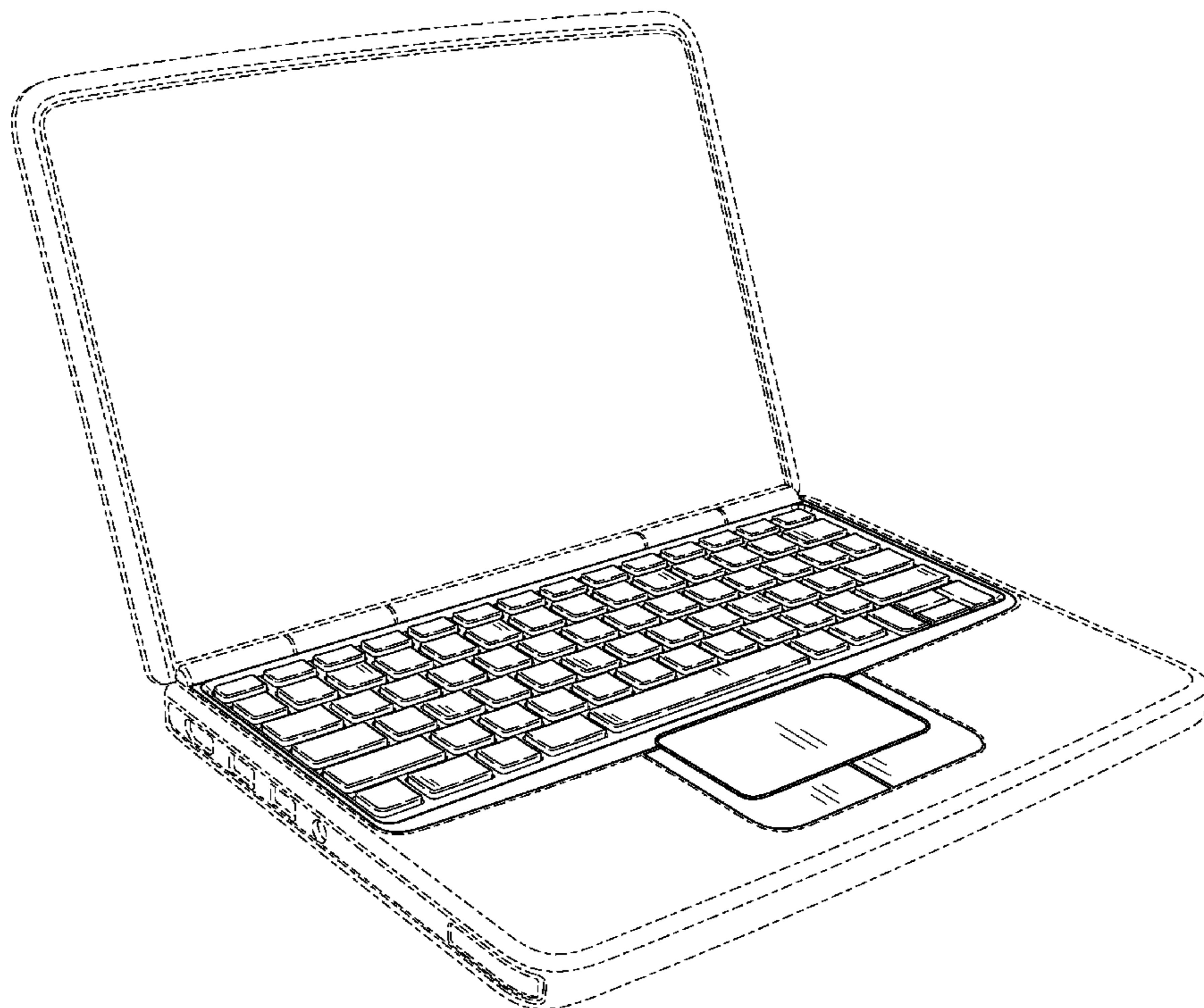
FIG. 2 is a top view thereof;

FIG. 3 is a right perspective front view thereof; and,

FIG. 4 is a rear perspective view thereof.

Broken lines shown in the drawings illustrate portions of the netbook, and form no part of the claimed design.

1 Claim, 4 Drawing Sheets



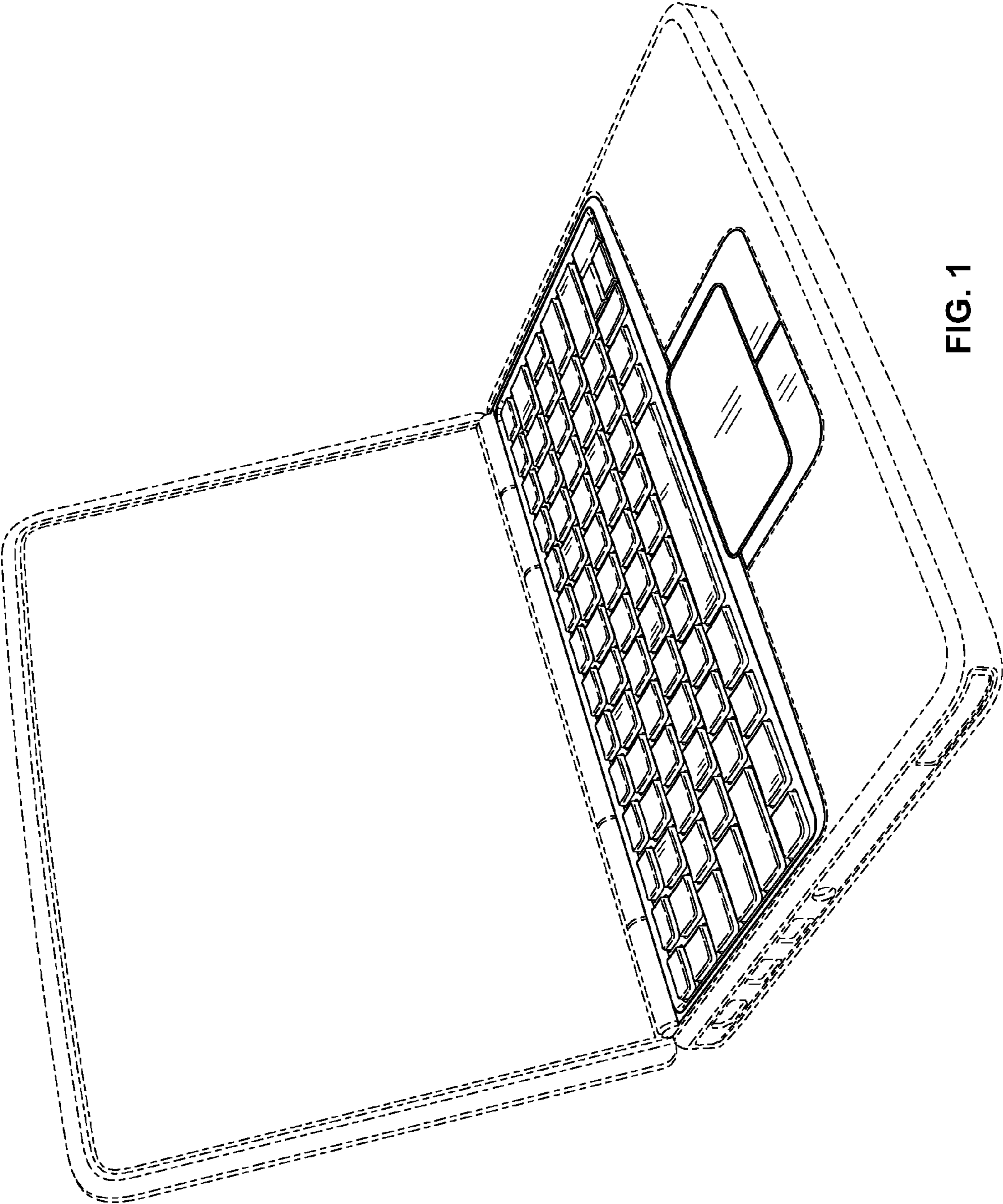


FIG. 1

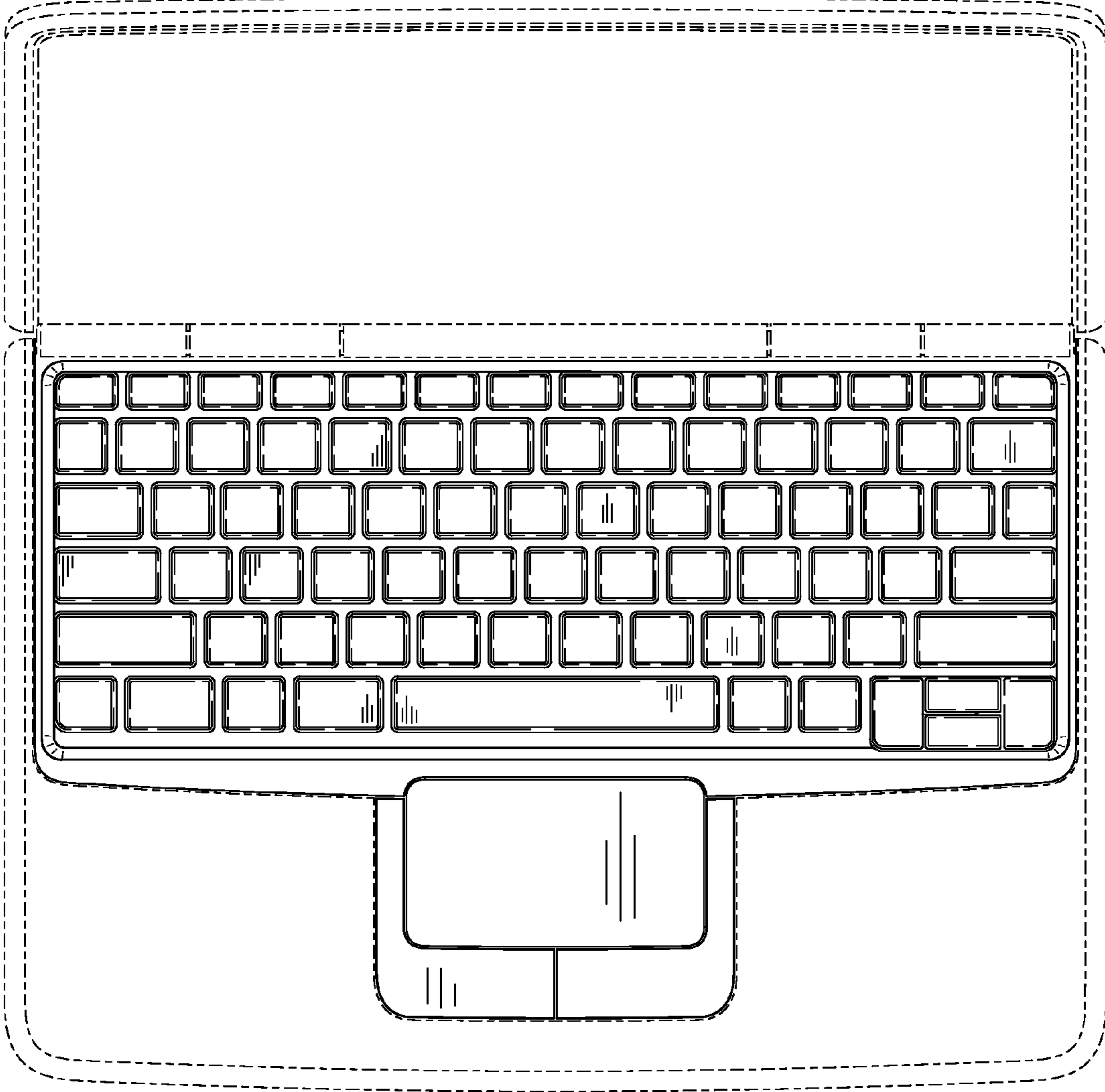


FIG. 2

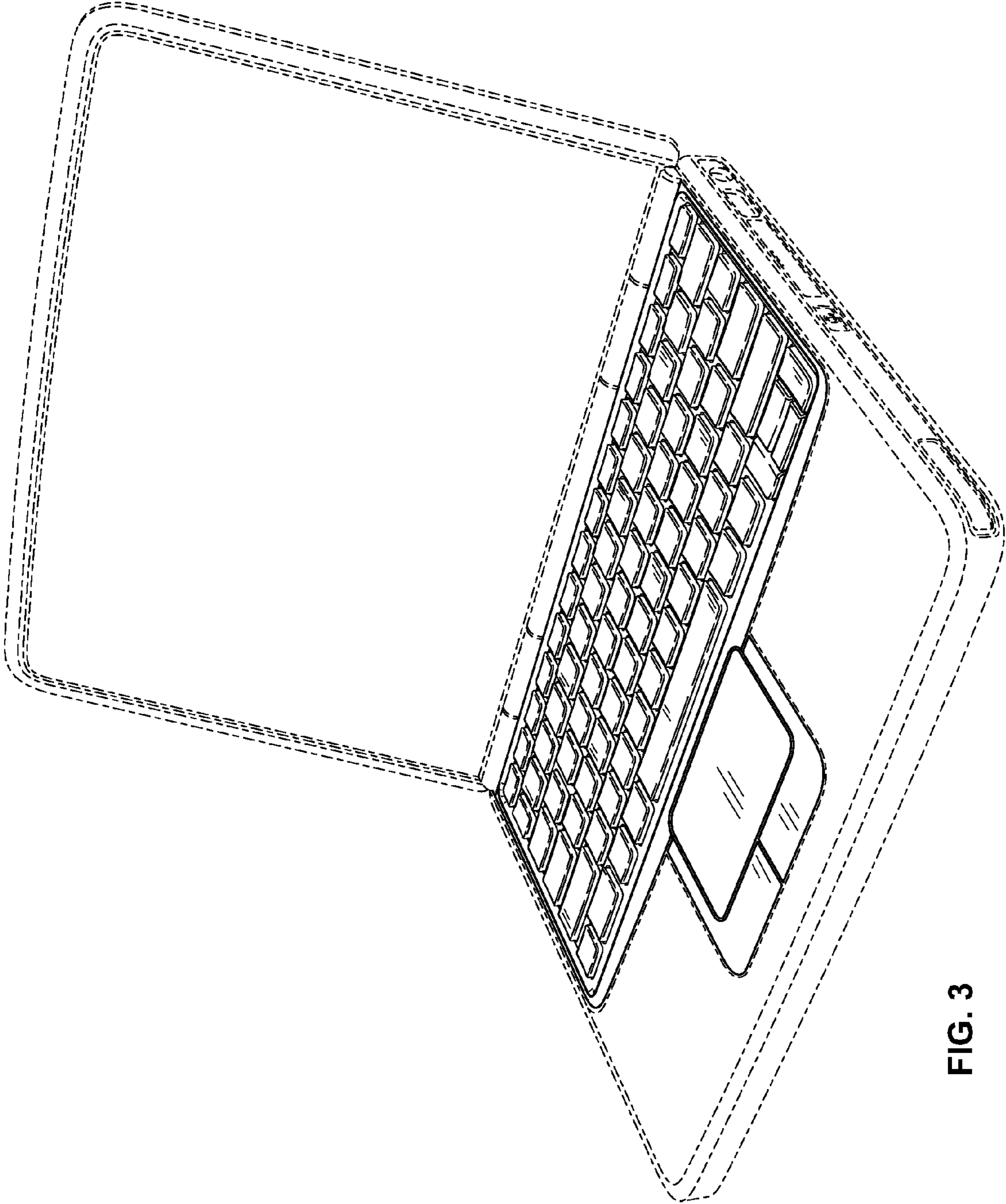


FIG. 3

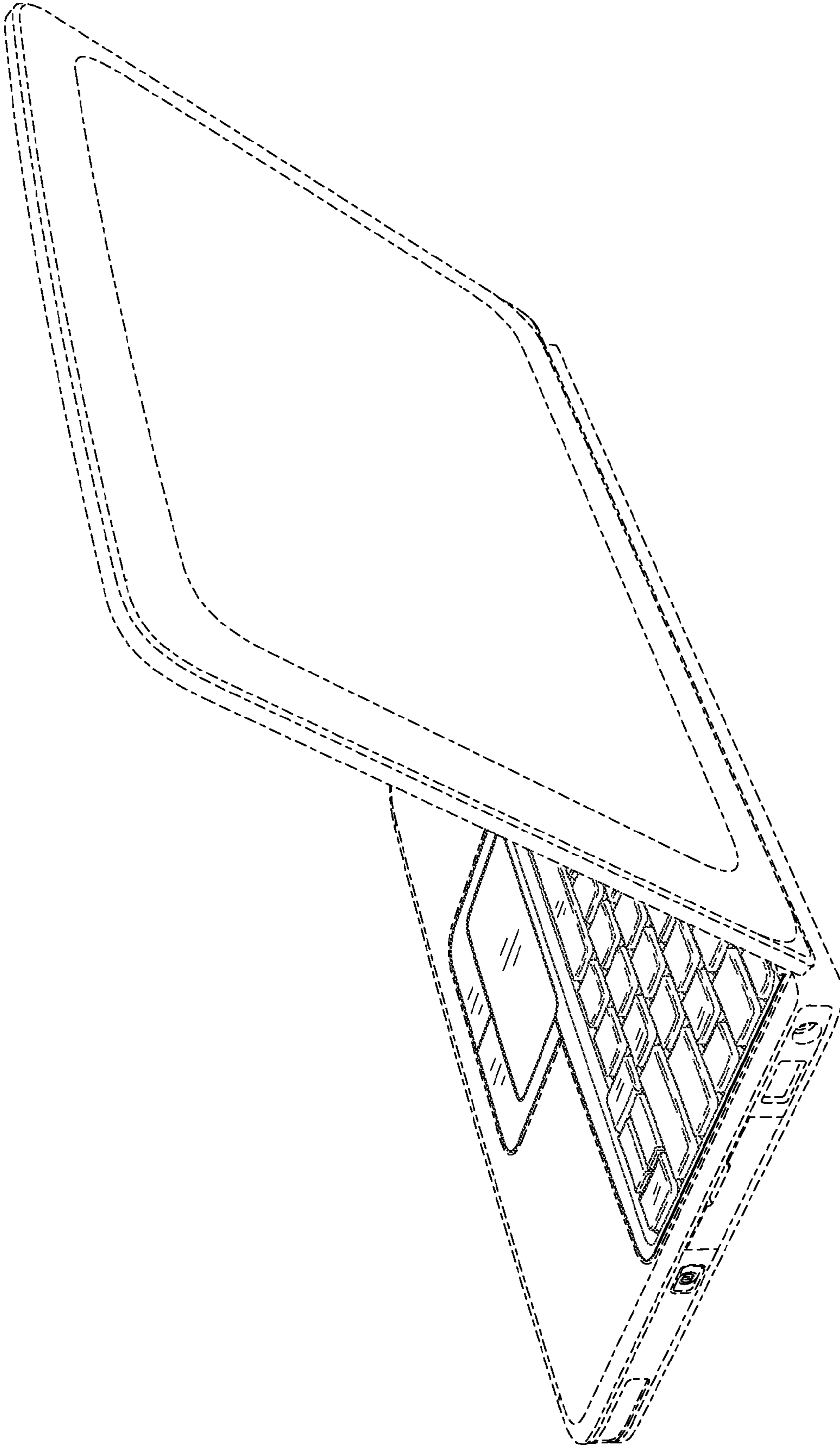


FIG. 4