



US00D613738S

(12) **United States Design Patent**
Daniel

(10) **Patent No.:** **US D613,738 S**
(45) **Date of Patent:** **** Apr. 13, 2010**

(54) **PORTABLE CHECK TRANSACTION
MANAGER**

(76) Inventor: **Isaac S. Daniel**, 200 S. Biscayne Blvd.,
Suite 2650, Miami, FL (US) 33131

(**) Term: **14 Years**

(21) Appl. No.: **29/315,925**

(22) Filed: **Aug. 6, 2009**

(51) **LOC (9) Cl.** **14-02**

(52) **U.S. Cl.** **D14/346; D19/36**

(58) **Field of Classification Search** D14/341-347,
D14/390, 411, 426, 427, 431, 432, 439, 454,
D14/455, 456, 138 R, 138 AA, 138 AB, 138 AC,
D14/138 AD, 138 C, 138 G, 137, 203.7,
D14/203.3, 203.4, 203.5, 203.6, 238.1, 247,
D14/248, 250, 251, 252, 254, 496, 375, 125,
D14/126; D21/329, 330, 331, 333; D18/7;
D10/65; 345/169, 901, 905; 379/433.13,
379/910, 916, 433.04, 433.07, 433.11, 433.12;
455/556.1, 556.2, 566, 575.1, 575.3, 575.4,
455/90.3; D6/308; D19/36

See application file for complete search history.

(56) **References Cited**

U.S. PATENT DOCUMENTS

D303,124 S *	8/1989	Li	D19/36
4,970,379 A *	11/1990	Danstrom	250/205
D316,854 S *	5/1991	Okuyama et al.	D14/431
5,065,003 A *	11/1991	Wakatsuki et al.	235/472.02
D364,641 S *	11/1995	Osterhout	D19/36
D370,940 S *	6/1996	Stambolic et al.	D21/329
D408,853 S *	4/1999	Hornsby et al.	D19/36
D424,547 S *	5/2000	Seachuga	D14/346
D450,766 S *	11/2001	Rosenbaum	D19/36

D500,518 S *	1/2005	Fraser et al.	D19/36
7,076,272 B2 *	7/2006	Ikeda et al.	455/556.1
D574,381 S *	8/2008	Chan	D14/431
D595,719 S *	7/2009	Hu	D14/411

* cited by examiner

Primary Examiner—Jennifer Rivard

Assistant Examiner—Angela J Lee

(74) *Attorney, Agent, or Firm*—Carol N. Green, Esq.

(57) **CLAIM**

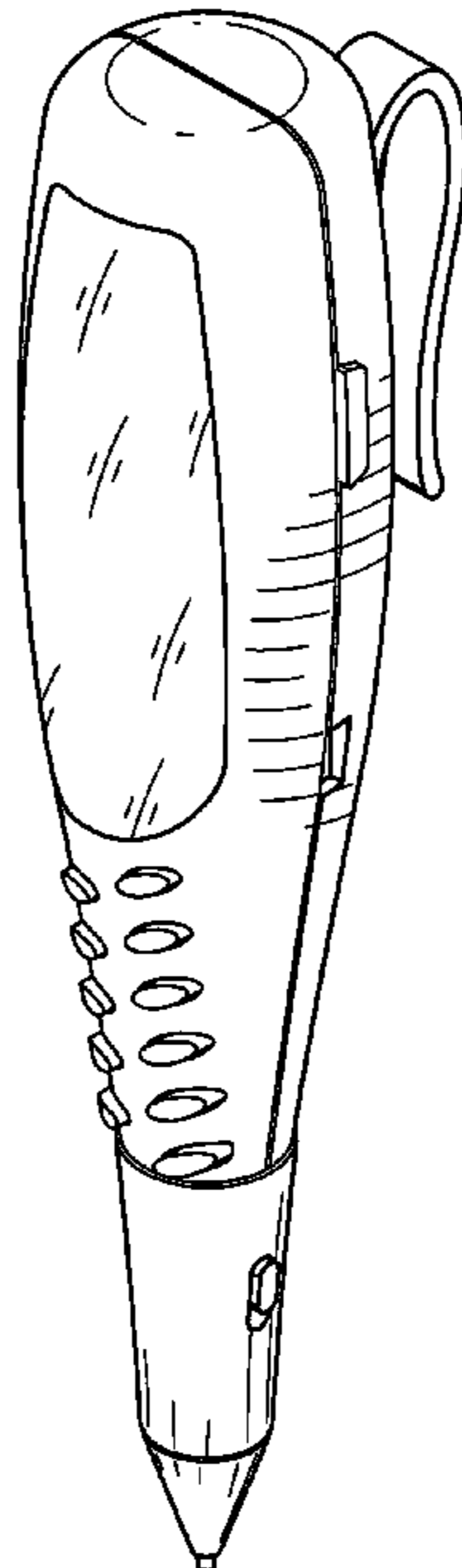
The ornamental design for a portable check transaction manager, as shown and described.

DESCRIPTION

FIG. 1 is a top perspective view of the invention.
 FIG. 2 is a bottom perspective view of the invention with the penpoint retracted.
 FIG. 3 is a right side perspective view of the invention.
 FIG. 4 is a top plan view of the invention.
 FIG. 5 is a bottom plan view of the invention with the penpoint retracted.
 FIG. 6 is a left side view of the invention.
 FIG. 7 is a front elevation view of the invention.
 FIG. 8 is a back elevation view of the invention.
 FIG. 9 is a top perspective view of the invention with the pen mechanism detached; and,
 FIG. 10 is a top plan view of the invention with the pen mechanism detached.

The broken line showing of a check book in FIGS. 2 and 5 is included for the purpose of illustrating environment and forms no part of the claimed design.

1 Claim, 6 Drawing Sheets



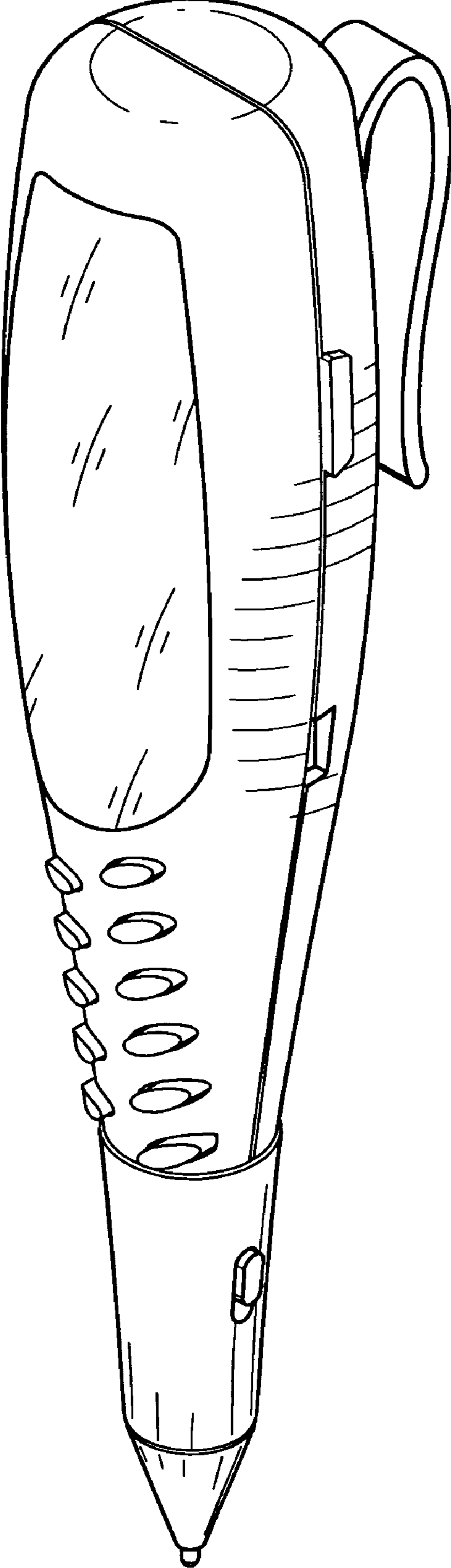


FIG. 1

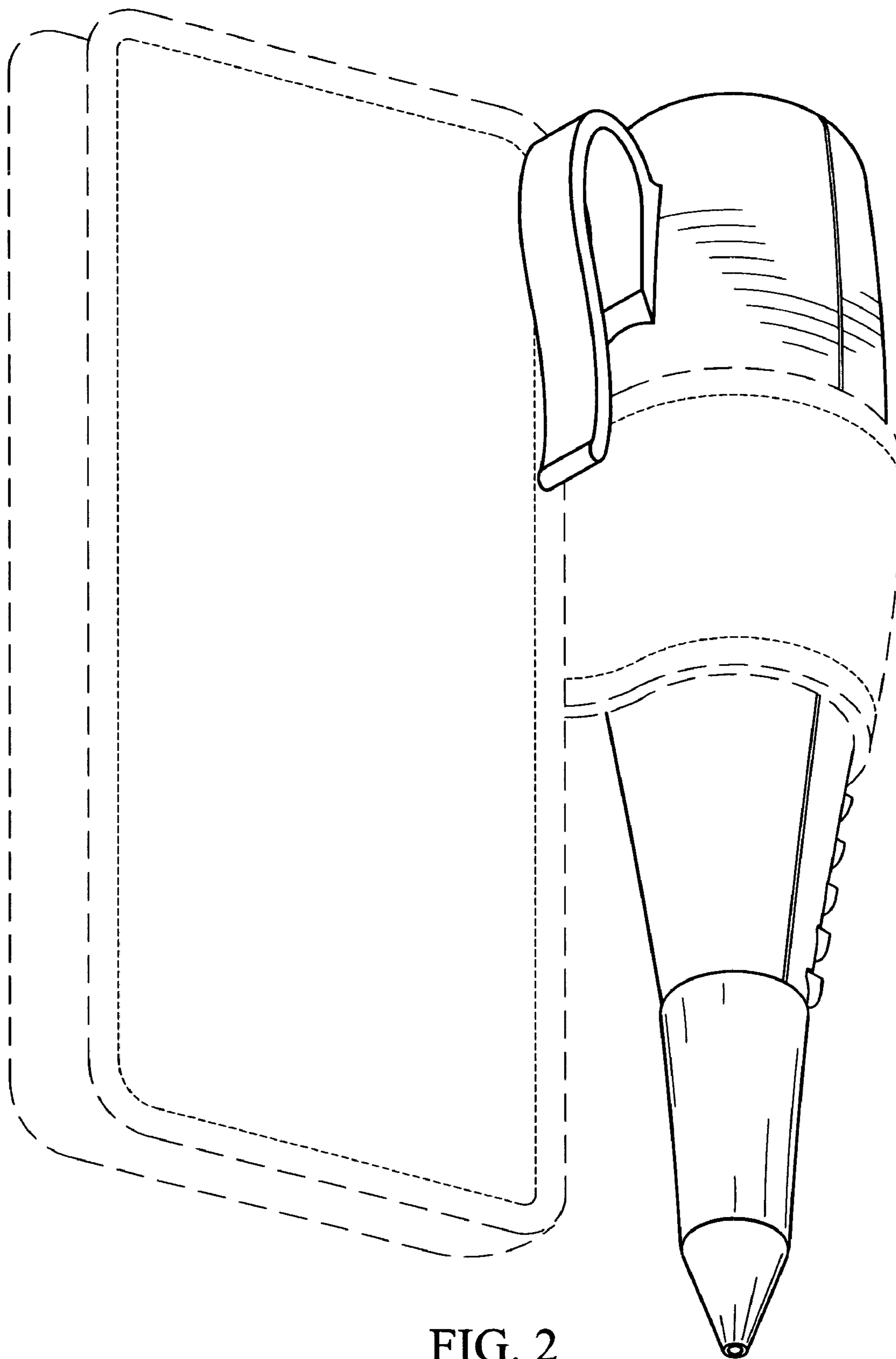


FIG. 2

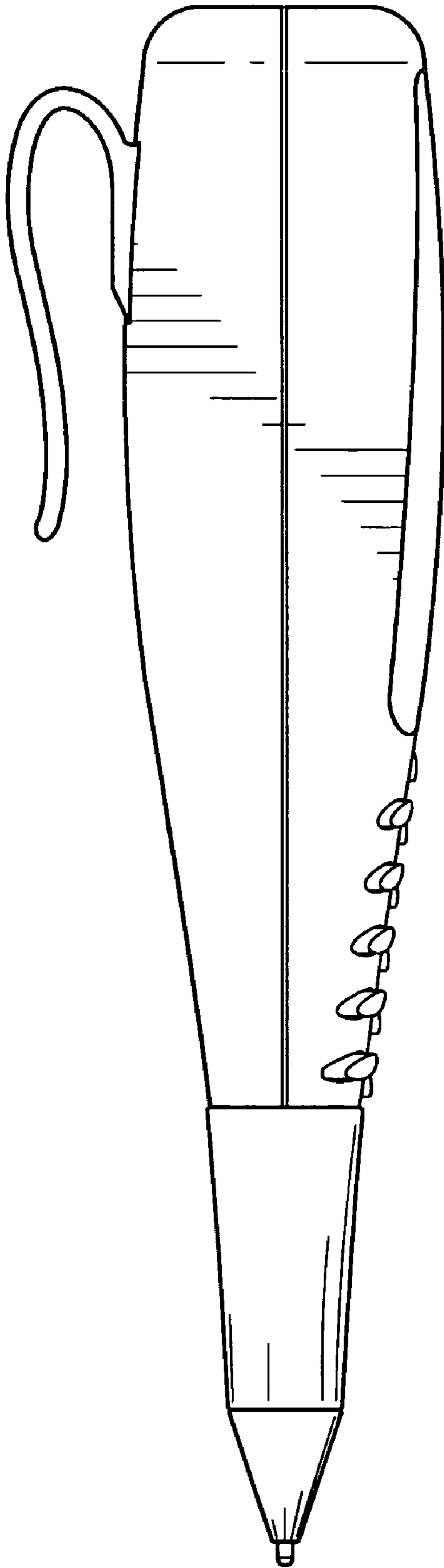


FIG. 3

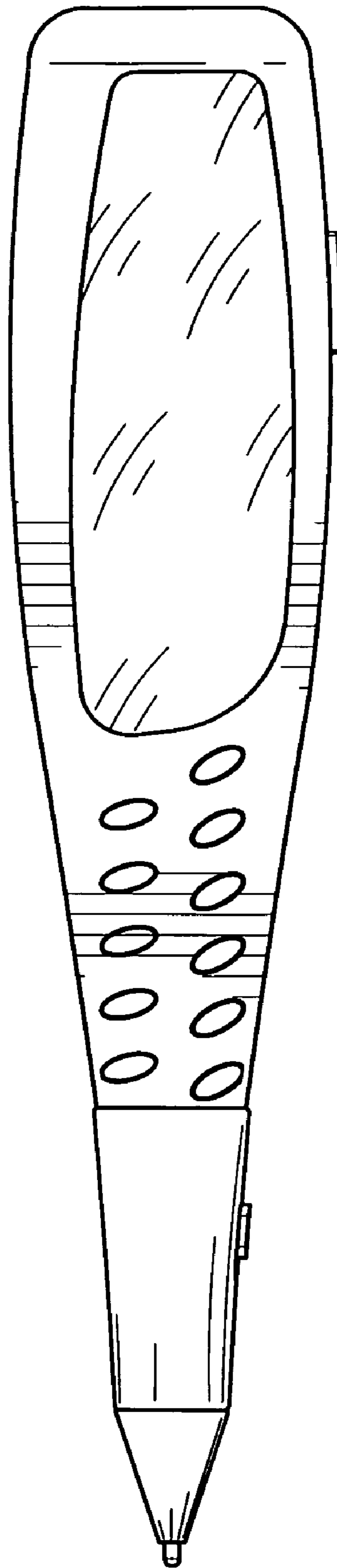


FIG. 4

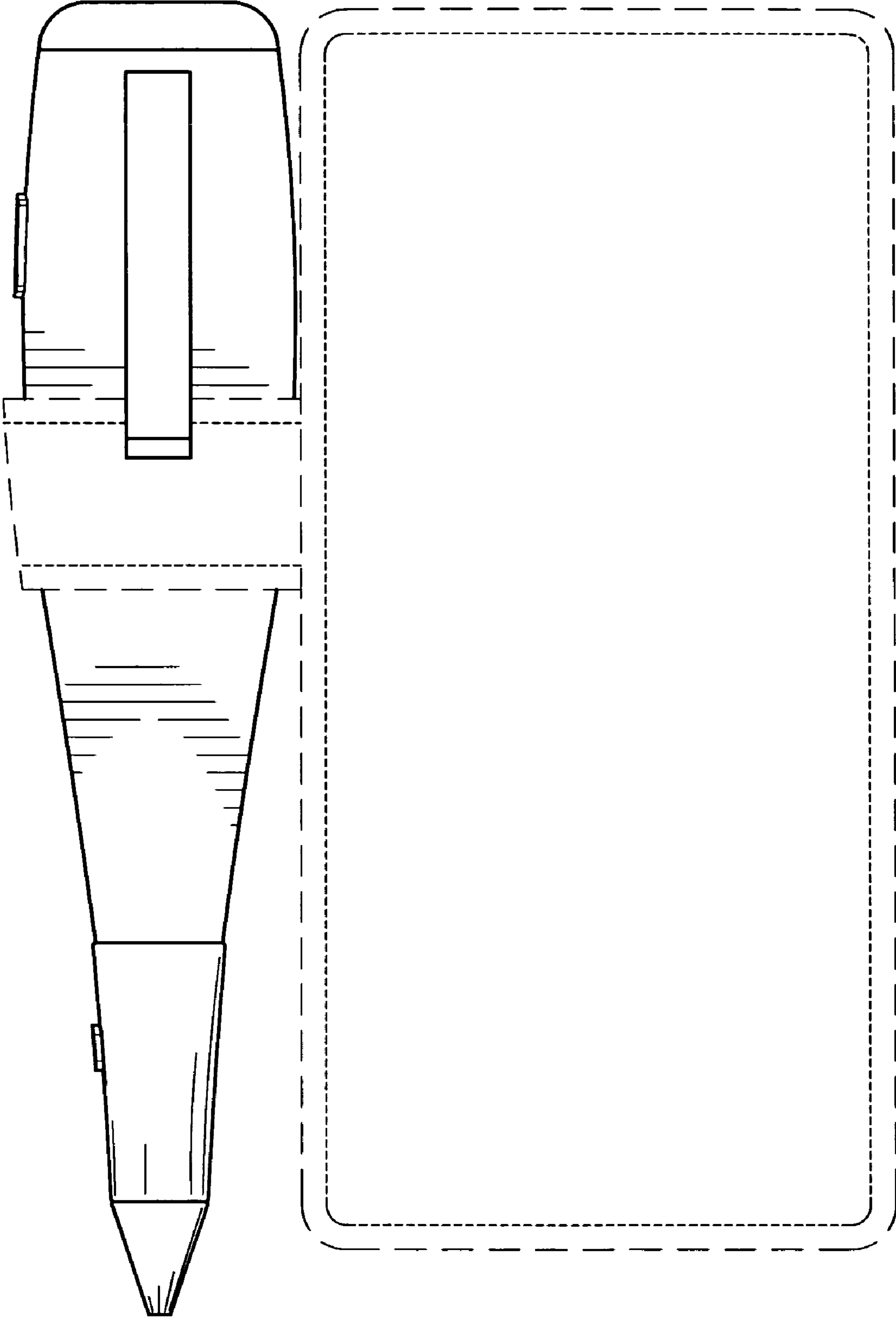


FIG. 5

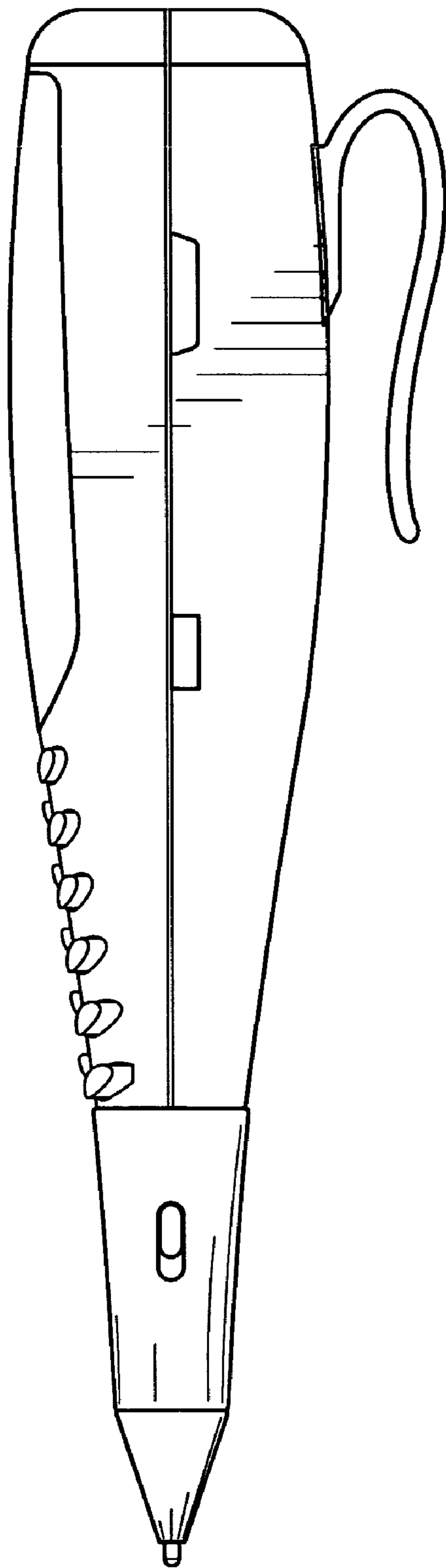


FIG. 6

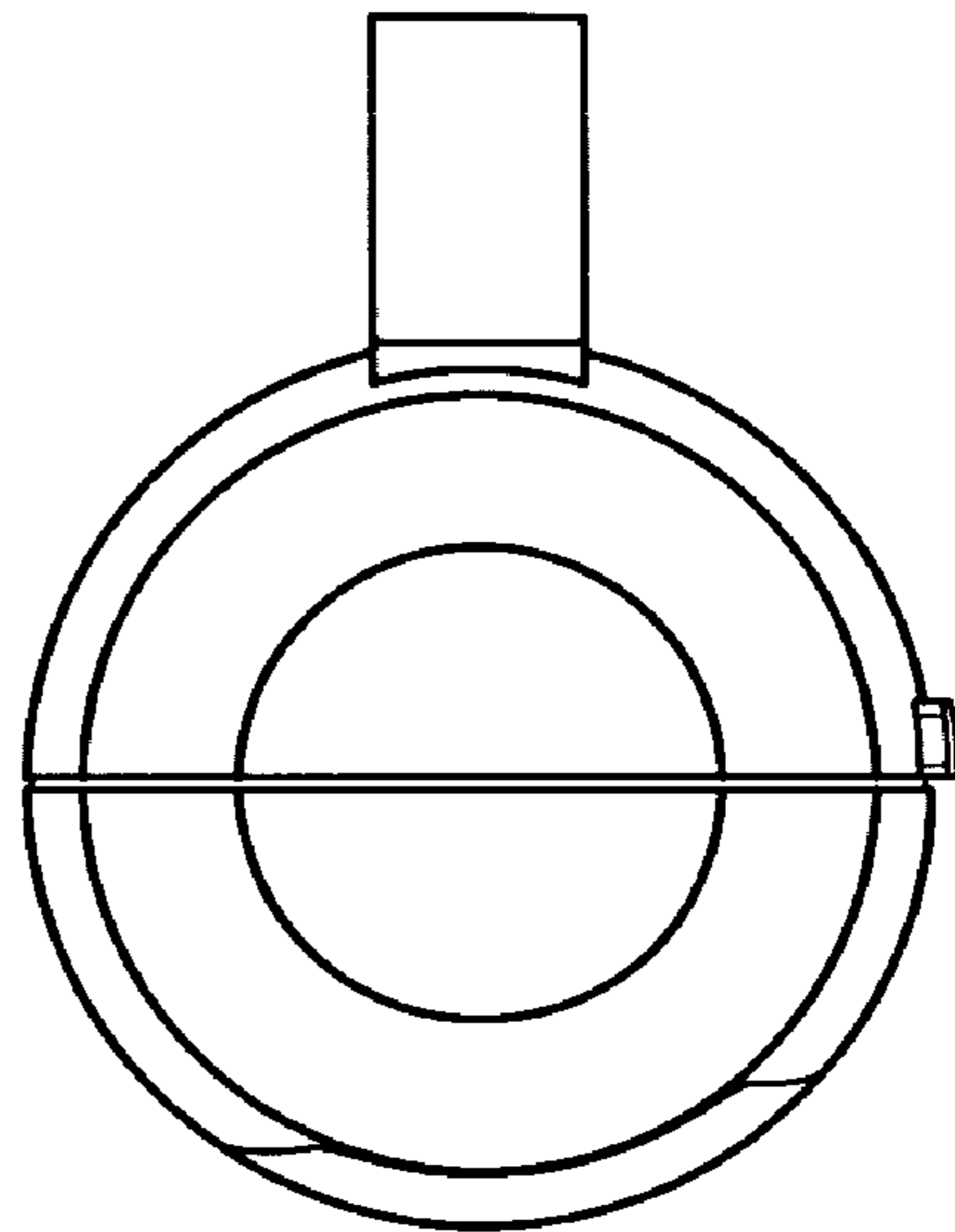


FIG. 7

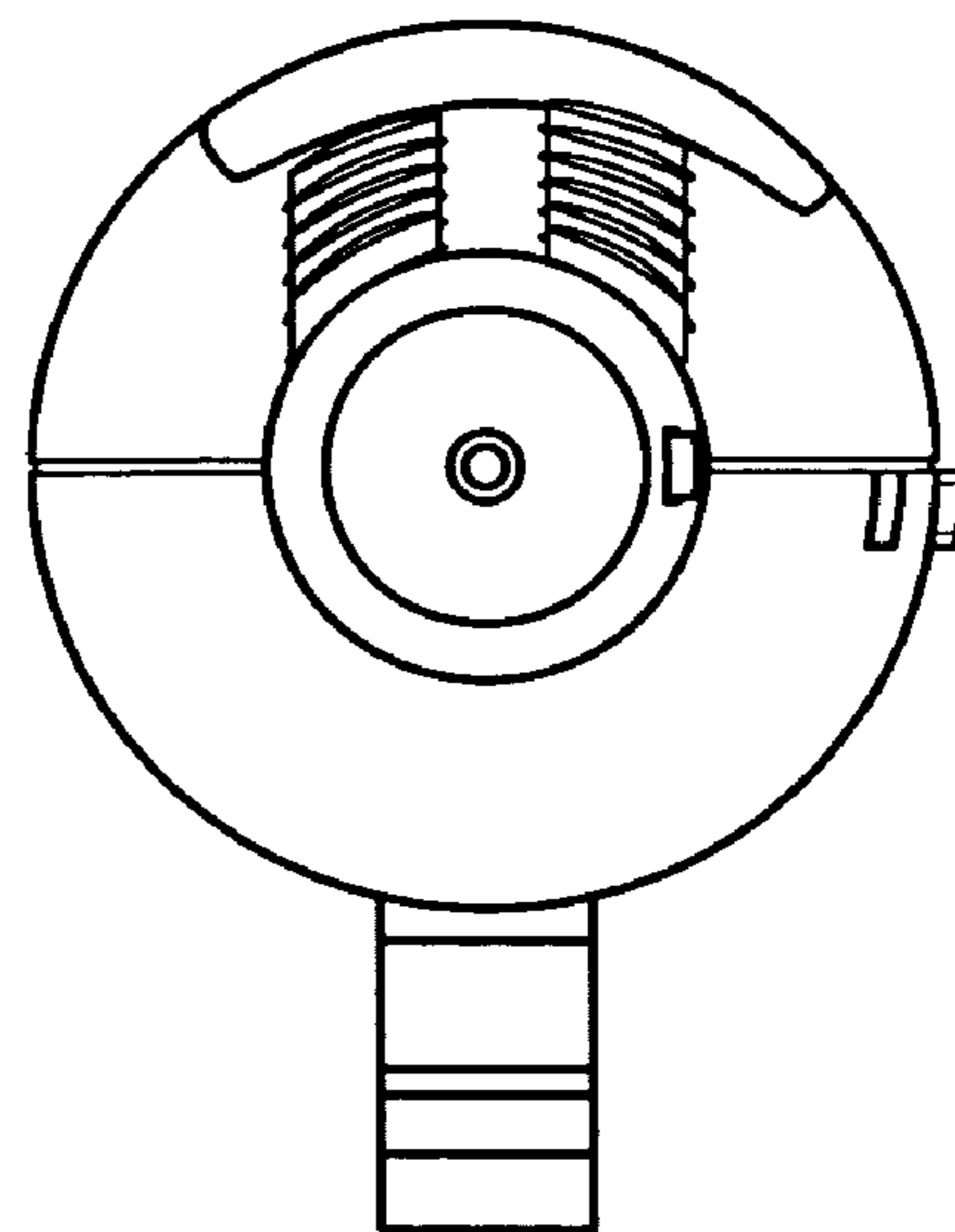


FIG. 8

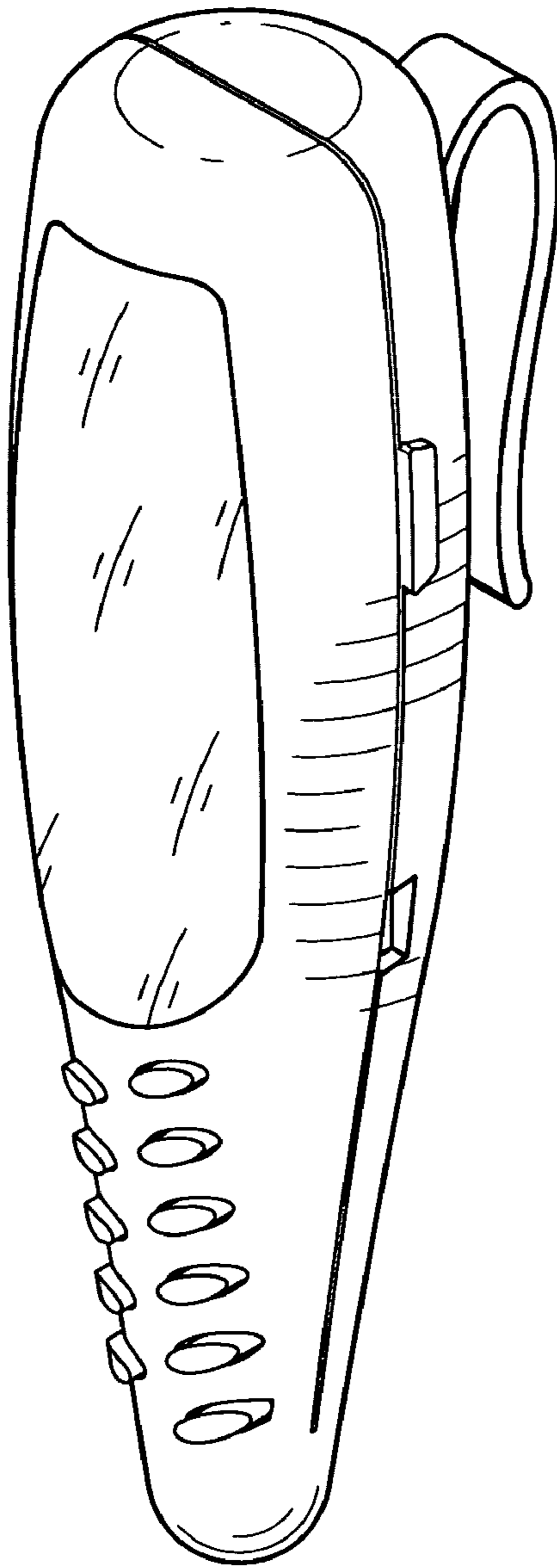


FIG. 9

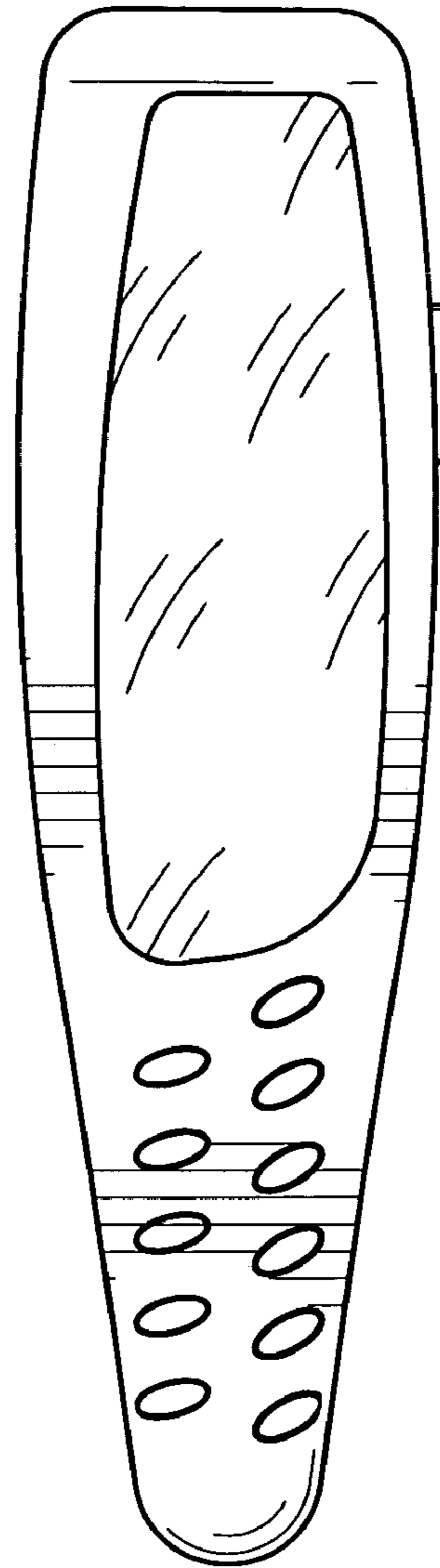


FIG. 10

