



US00D613732S

(12) **United States Design Patent**
Uchiyama et al.

(10) **Patent No.:** **US D613,732 S**
(45) **Date of Patent:** **** Apr. 13, 2010**

(54) **DISC PLAYER**

(75) Inventors: **Jun Uchiyama**, Tokyo (JP); **Akio Suzuki**, Tokyo (JP); **Hirohisa Tanaka**, Tokyo (JP)

(73) Assignee: **Sony Corporation**, Tokyo (JP)

(**) Term: **14 Years**

(21) Appl. No.: **29/311,692**

(22) Filed: **May 26, 2009**

(51) **LOC (9) Cl.** **14-01**

(52) **U.S. Cl.** **D14/257; D14/511**

(58) **Field of Classification Search** D14/496,
D14/498-505, 511, 157, 167-168, 188, 197-198,
D14/257-258; 360/99.02, 99.07; 369/75.11,
369/75.21, 77.11, 77.21; 720/601, 612, 619,
720/649, 655; 455/344, 347-351
See application file for complete search history.

(56) **References Cited**

U.S. PATENT DOCUMENTS

| | | | |
|--------------|---------|--------------|---------|
| D407,393 S | 3/1999 | Kazama | |
| D433,410 S | 11/2000 | Matsuzaka | |
| D437,303 S | 2/2001 | Hibino | |
| D439,228 S | 3/2001 | Tsuge | |
| D452,513 S | 12/2001 | Uehara | |
| D488,798 S | 4/2004 | Ishii et al. | |
| D513,507 S | 1/2006 | Tsuge | |
| D521,967 S | 5/2006 | Lim | |
| D530,689 S * | 10/2006 | Ishibashi | D14/505 |
| D542,249 S | 5/2007 | Ishibashi | |
| D547,285 S | 7/2007 | Yoshida | |
| D547,286 S * | 7/2007 | Yuyama | D14/506 |
| D547,287 S | 7/2007 | Yuyama | |
| D547,288 S | 7/2007 | Hakoda | |
| D548,709 S | 8/2007 | Hakoda | |

| | | | |
|--------------|---------|-------------|---------|
| D550,638 S * | 9/2007 | Yuyama | D14/506 |
| D554,602 S | 11/2007 | Hakoda | |
| D554,604 S | 11/2007 | Sogabe | |
| D571,326 S | 6/2008 | Ogura | |
| D574,360 S | 8/2008 | Matsuoka | |
| D587,224 S | 2/2009 | Chun et al. | |

FOREIGN PATENT DOCUMENTS

| | | |
|----|------------------|--------|
| CN | 3520755 S | 4/2006 |
| CN | 3539047 S | 8/2006 |
| CN | 3549046 S | 8/2006 |
| EM | 000352414-0001 S | 7/2005 |
| EM | 000667779-0001 S | 3/2007 |
| JP | D1326293 S | 4/2008 |
| KR | 30-0331615 S | 8/2003 |
| KR | 30-0361033 S | 9/2004 |
| KR | 30-0371837 S | 1/2005 |

* cited by examiner

Primary Examiner—Nanda Bondade
(74) *Attorney, Agent, or Firm*—Rader, Fishman & Grauer, PLLC

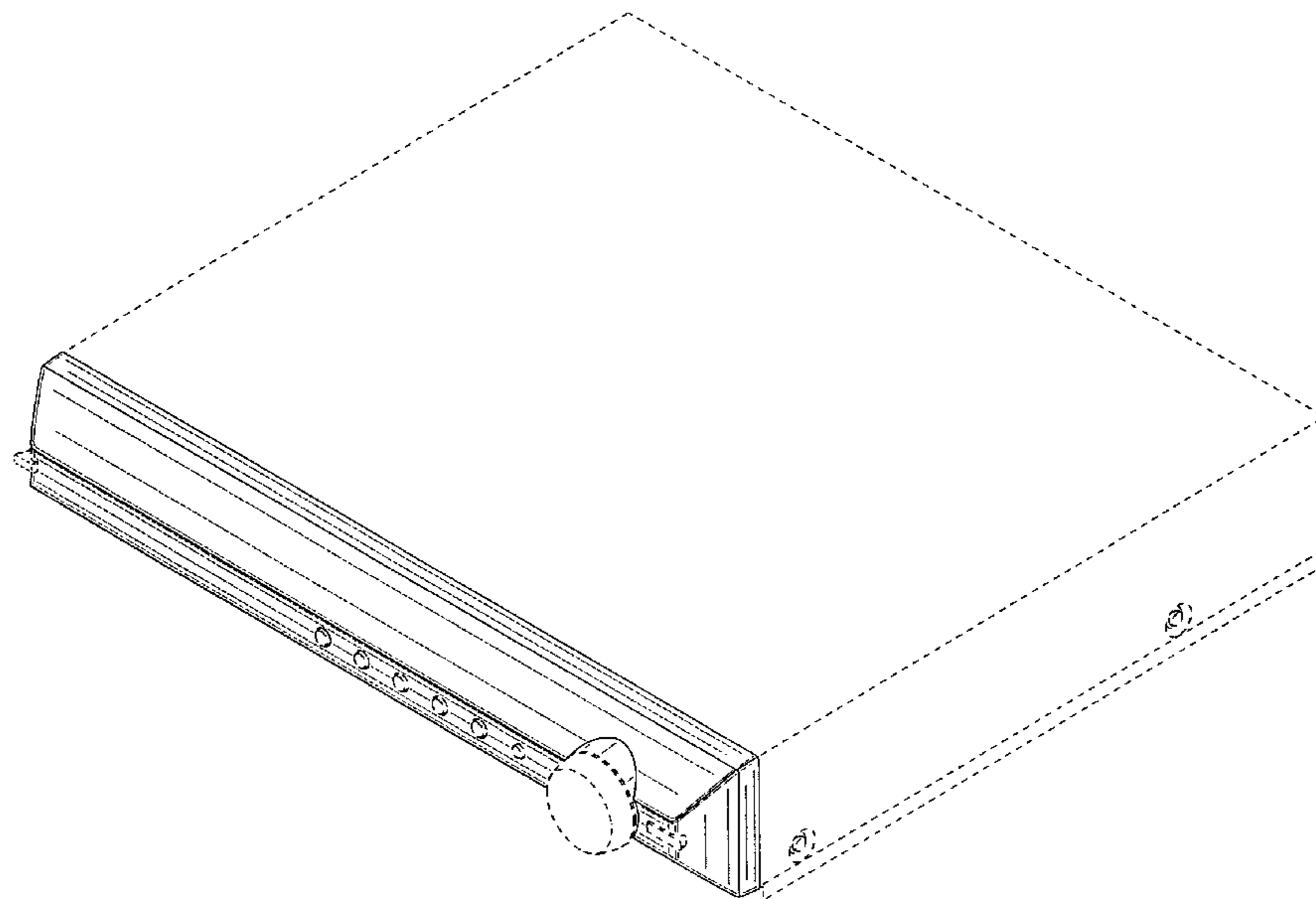
(57) **CLAIM**

The ornamental design for a disc player, as shown and described.

DESCRIPTION

FIG. 1 is a front right top perspective view of a disc player showing our new design;
FIG. 2 is a front left top perspective view thereof;
FIG. 3 is a front elevational view thereof;
FIG. 4 is a left side elevational view thereof;
FIG. 5 is a right side elevational view thereof;
FIG. 6 is a top plan view thereof; and,
FIG. 7 is a bottom plan view thereof.

1 Claim, 7 Drawing Sheets



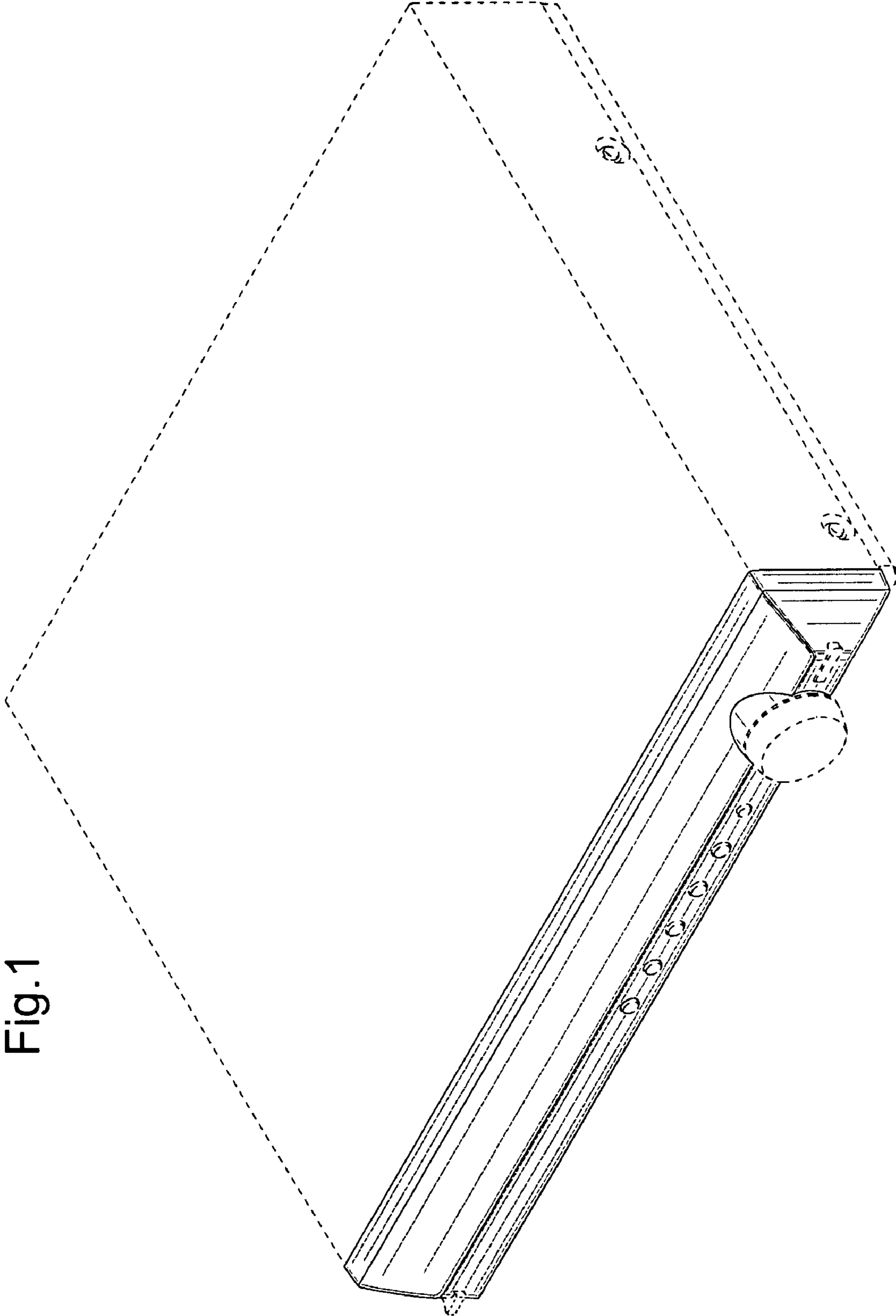


Fig.1

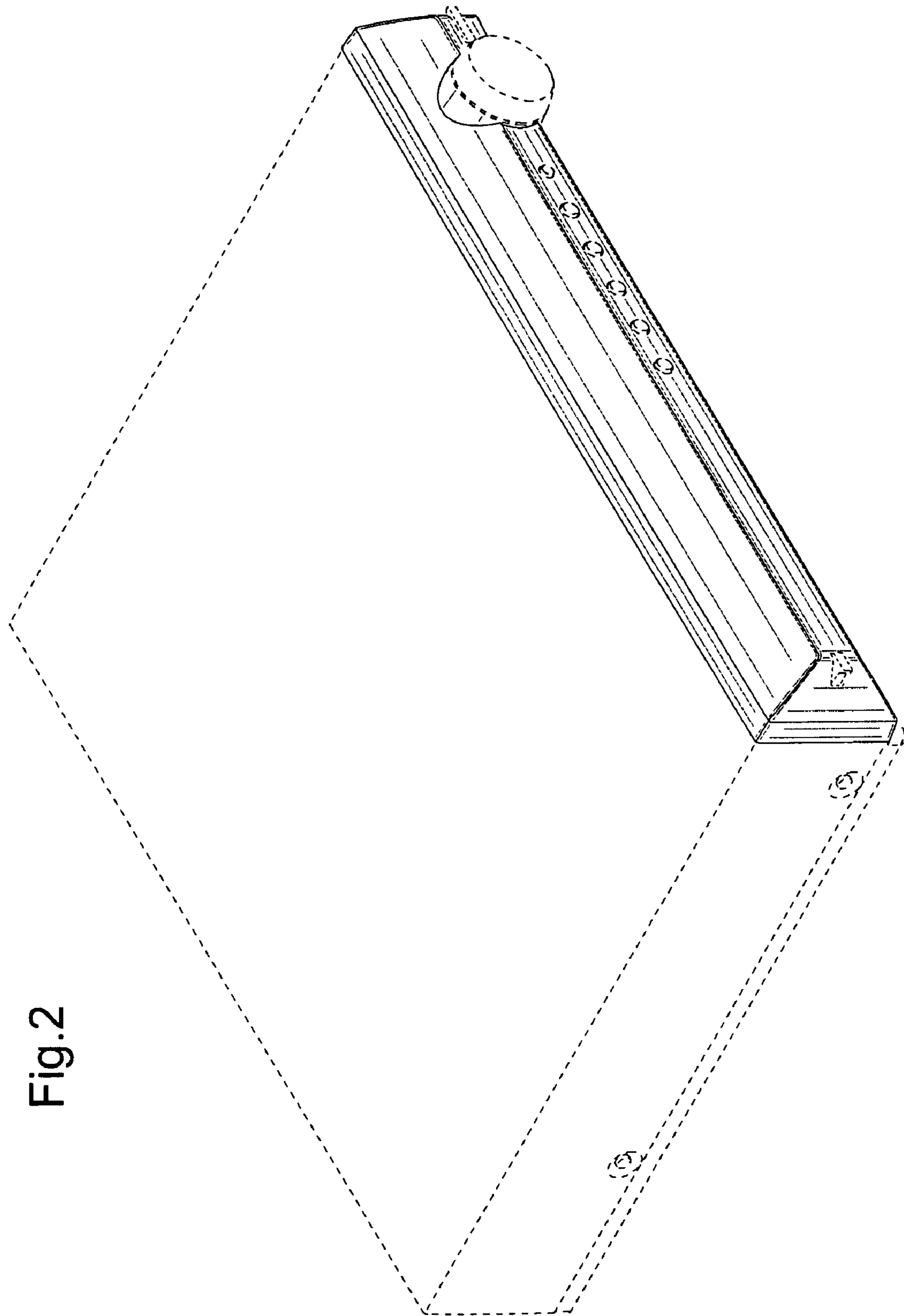


Fig.3

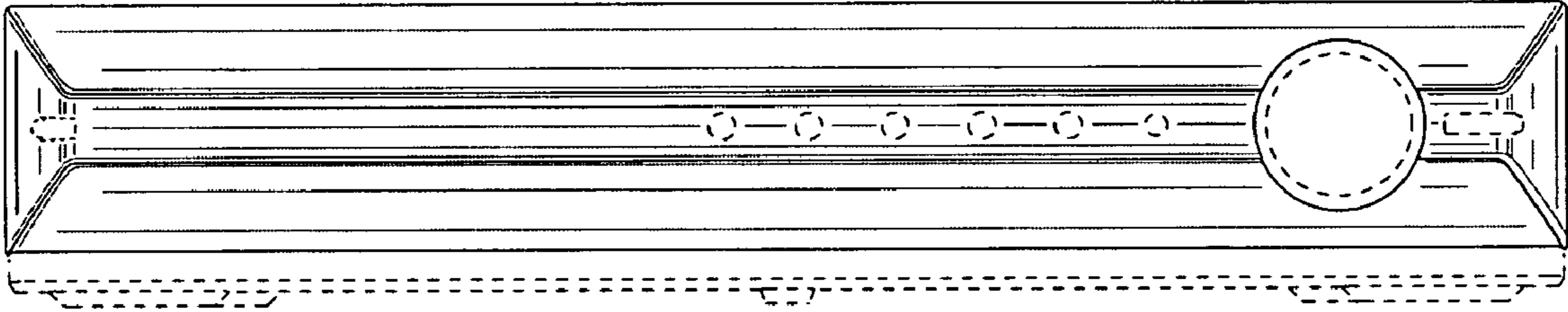


Fig.4



Fig.5



Fig.6

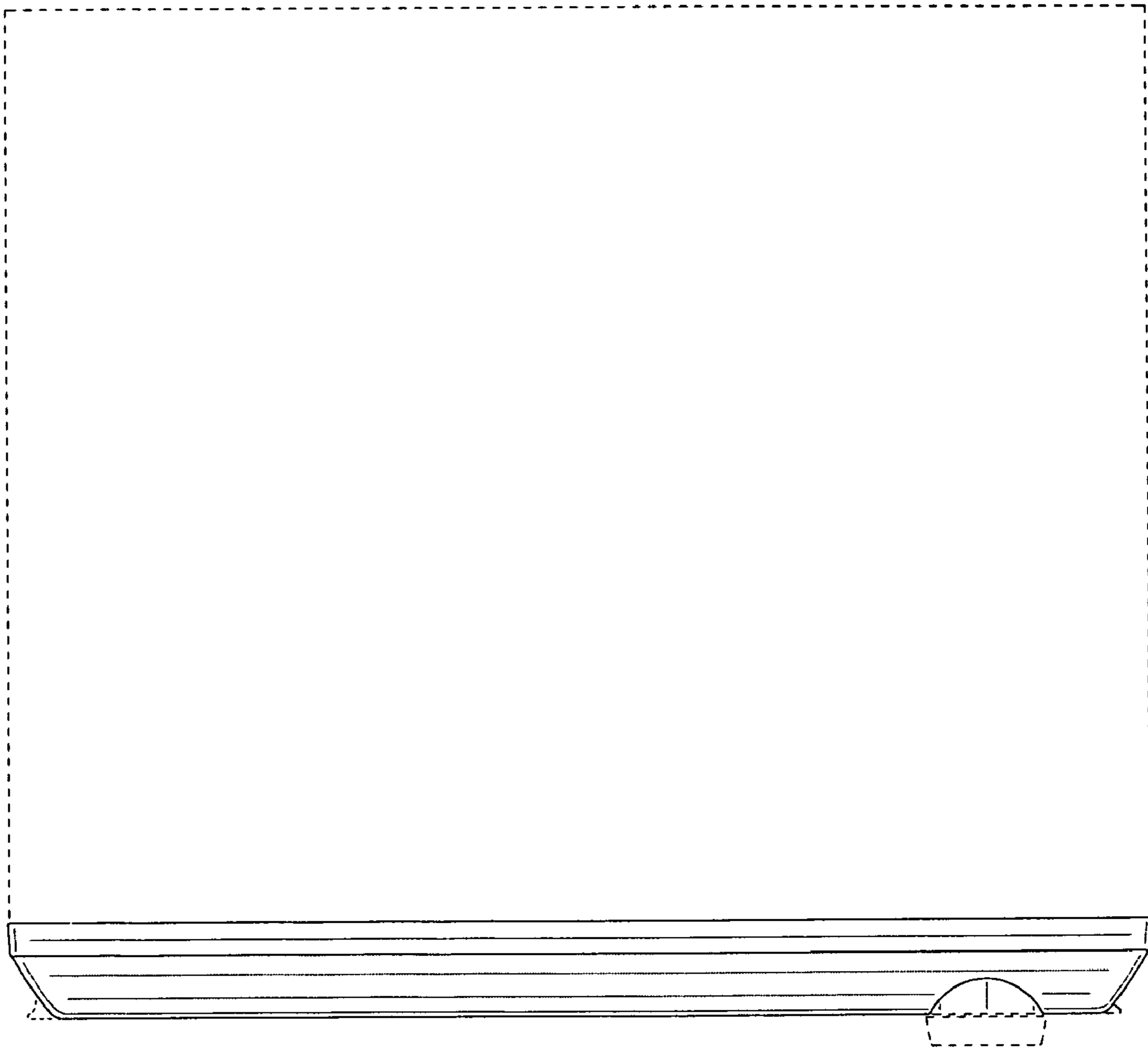


Fig.7

