



US00D613731S

(12) **United States Design Patent**
Yeo

(10) **Patent No.:** **US D613,731 S**
(45) **Date of Patent:** **** Apr. 13, 2010**

(54) **SUPPORT FOR ELECTRONIC DEVICE HOLDER**

(76) Inventor: **Young Kyu Yeo**, 1 F.J. Park Bldg, 453 Gogok-Dong, Gangnam-Gu, Seoul (KR)

(**) Term: **14 Years**

(21) Appl. No.: **29/315,937**

(22) Filed: **Aug. 7, 2009**

(51) **LOC (9) Cl.** **14-03**

(52) **U.S. Cl.** **D14/253**

(58) **Field of Classification Search** D14/149, D14/250-253, 299, 452, 454, 447; D8/355, D8/363, 373, 380; D12/415, 425; 248/206.2-206.4, 248/220.21, 279.1, 121, 131, 157; 379/426, 379/446, 454, 455, 449; 224/571; D6/466, D6/467

See application file for complete search history.

(56) **References Cited**

U.S. PATENT DOCUMENTS

D544,136 S	*	10/2007	Richter	D14/447
D553,959 S	*	10/2007	Brassard	D8/363
D554,137 S	*	10/2007	Richter	D14/447
D566,530 S	*	4/2008	Brassard	D8/363
D567,810 S	*	4/2008	Yeh	D14/253
D576,615 S	*	9/2008	Richter	D14/253
D579,854 S	*	11/2008	Mo	D12/415
D580,847 S	*	11/2008	Mo	D12/415
D590,238 S	*	4/2009	Richter	D8/363
D590,834 S	*	4/2009	Richter	D14/447
D590,835 S	*	4/2009	Richter	D14/447
D592,205 S	*	5/2009	O'Brien	D14/253
D592,206 S	*	5/2009	O'Brien	D14/253
D599,355 S	*	9/2009	Richter	D14/447
D602,024 S	*	10/2009	Richter	D14/447
D602,025 S	*	10/2009	Richter	D14/447
D603,322 S	*	11/2009	Nicieja	D12/415

2004/0011932 A1* 1/2004 Duff 248/157

OTHER PUBLICATIONS

RAM Mount AMPS 4 Hole Plate Locking Suction Cup Mount, <URL:http://www.gpscocity.com/ram-mount-amps-4-hole-plate-locking-suction-cup-mount.html>, retrieved from internet Dec. 5, 2009.*

* cited by examiner

Primary Examiner—Ian Simmons

Assistant Examiner—Carla Jobe Wright

(74) *Attorney, Agent, or Firm*—Klaus J. Bach

(57) **CLAIM**

The ornamental design for an support for electronic device holder, as shown and described.

DESCRIPTION

FIG. 1 is a front perspective view of a support for electronic device holder;

FIG. 2 is a rear view of the support for electronic device holder shown in FIG. 1;

FIG. 3 is a front view of the support for electronic device holder shown in FIG. 1;

FIG. 4 is a left side view of the support for electronic device holder shown in FIG. 1;

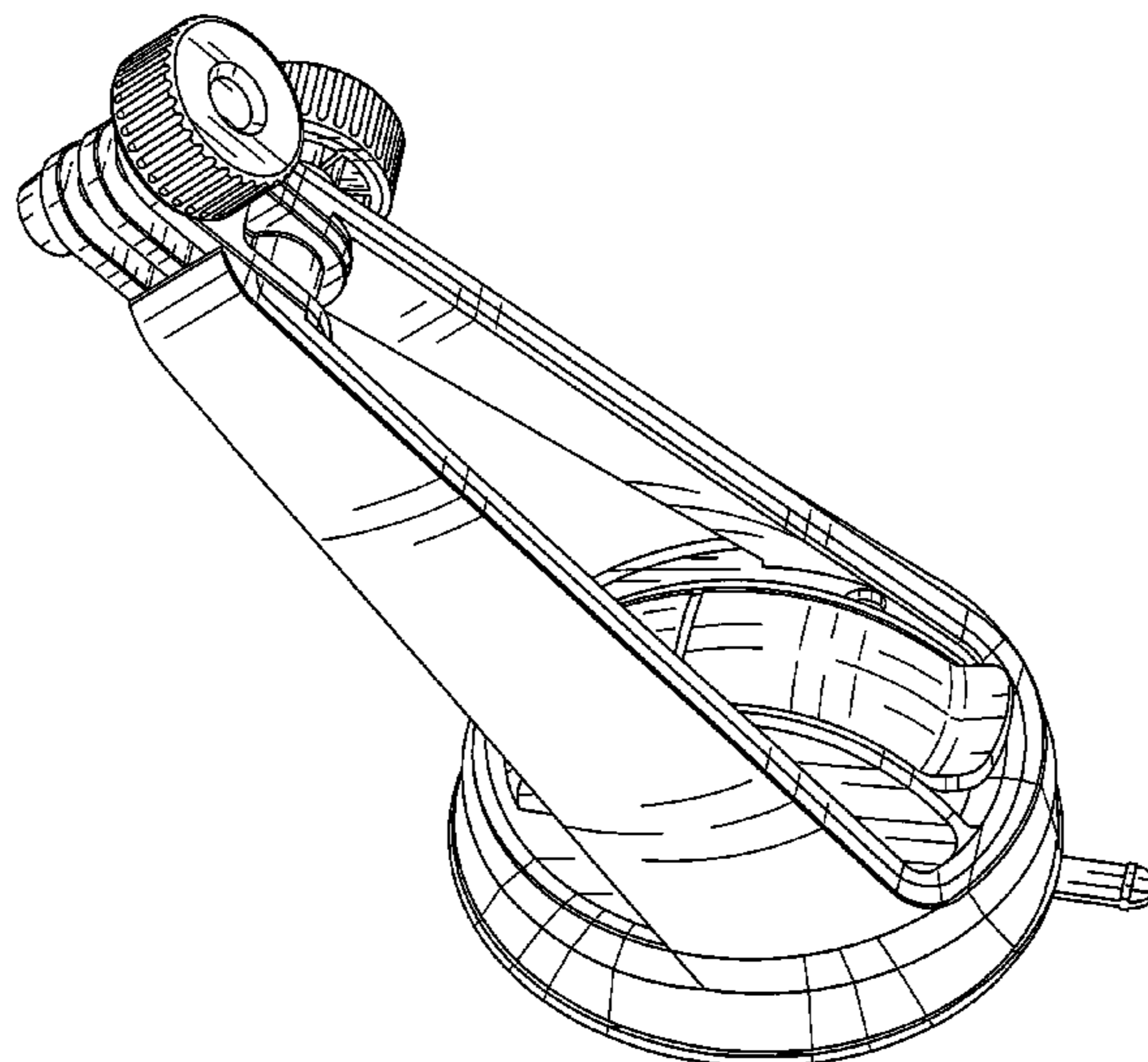
FIG. 5 is a right side view of the support for electronic device holder shown in FIG. 1;

FIG. 6 is a top view of the support for electronic device holder shown in FIG. 1; and,

FIG. 7 is a bottom view of the support for electronic device holder shown in FIG. 1.

The support for electronic device holder is used for supporting a support device specifically adapted to supporting a support structure for a holder of a particular apparatus such as a wireless phone, GPS, a PDA device, a telephone or other equipment in a convenient position on a smooth surface such as a windshield of a motor vehicle.

1 Claim, 6 Drawing Sheets



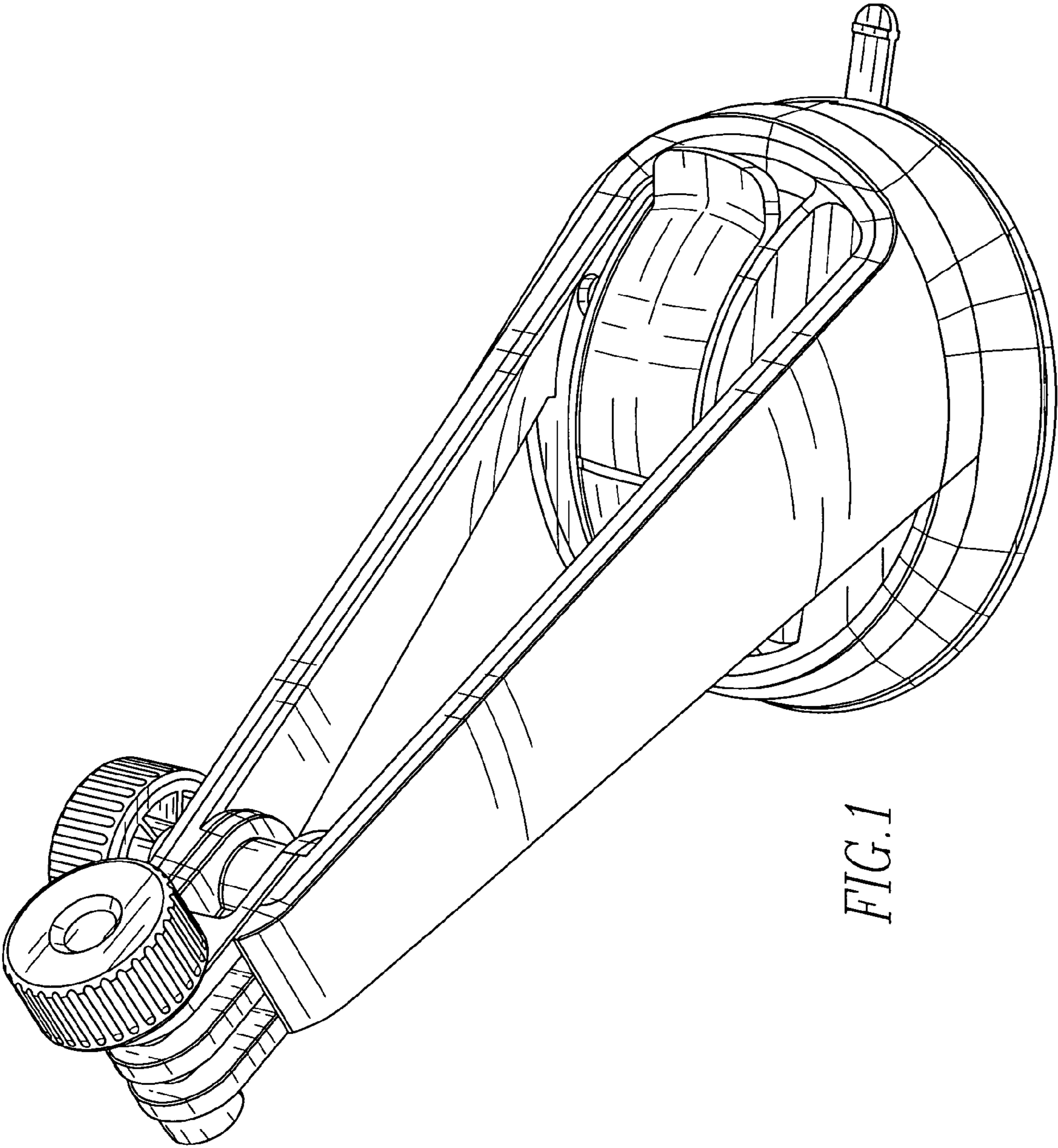
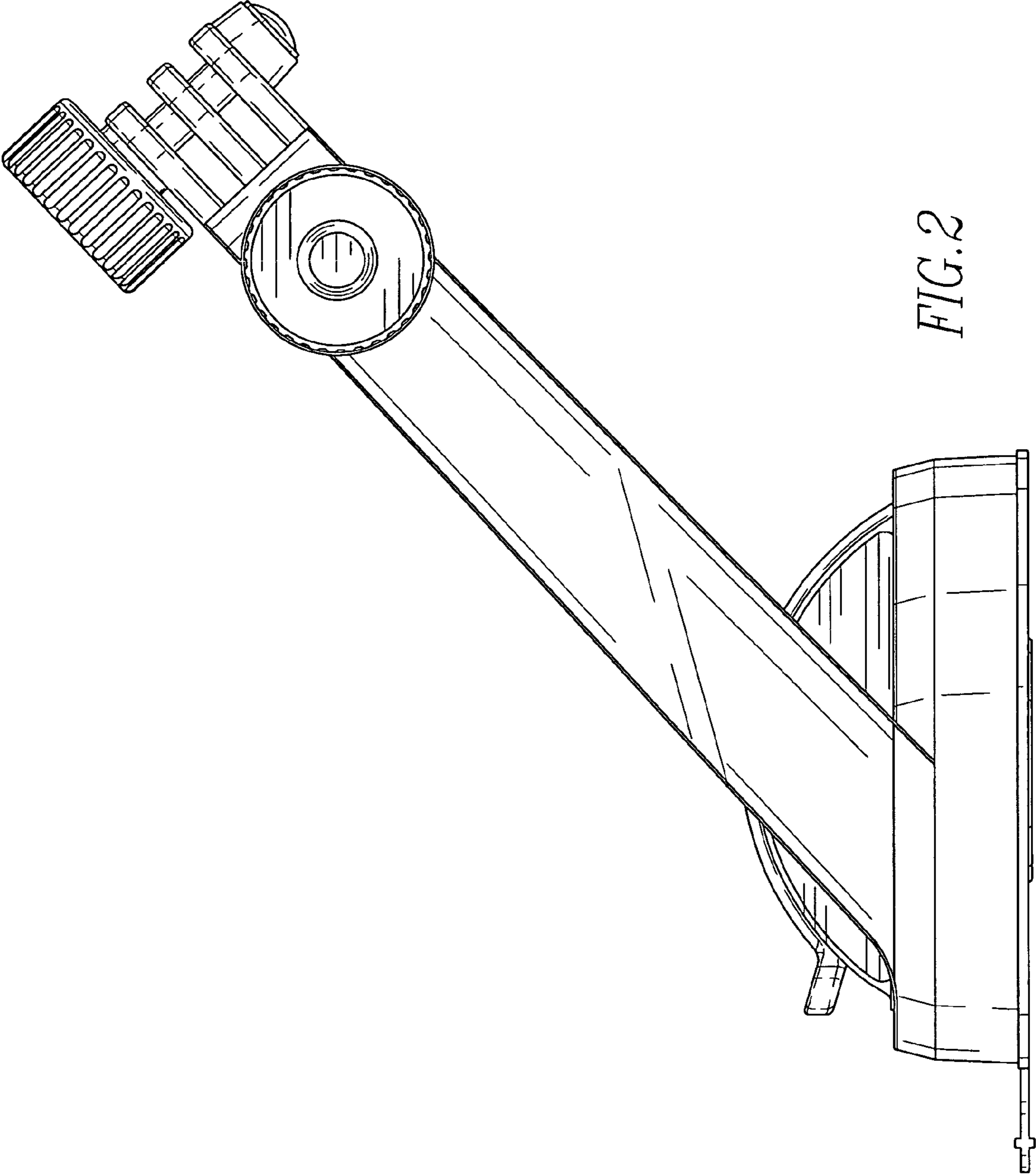


FIG. 1



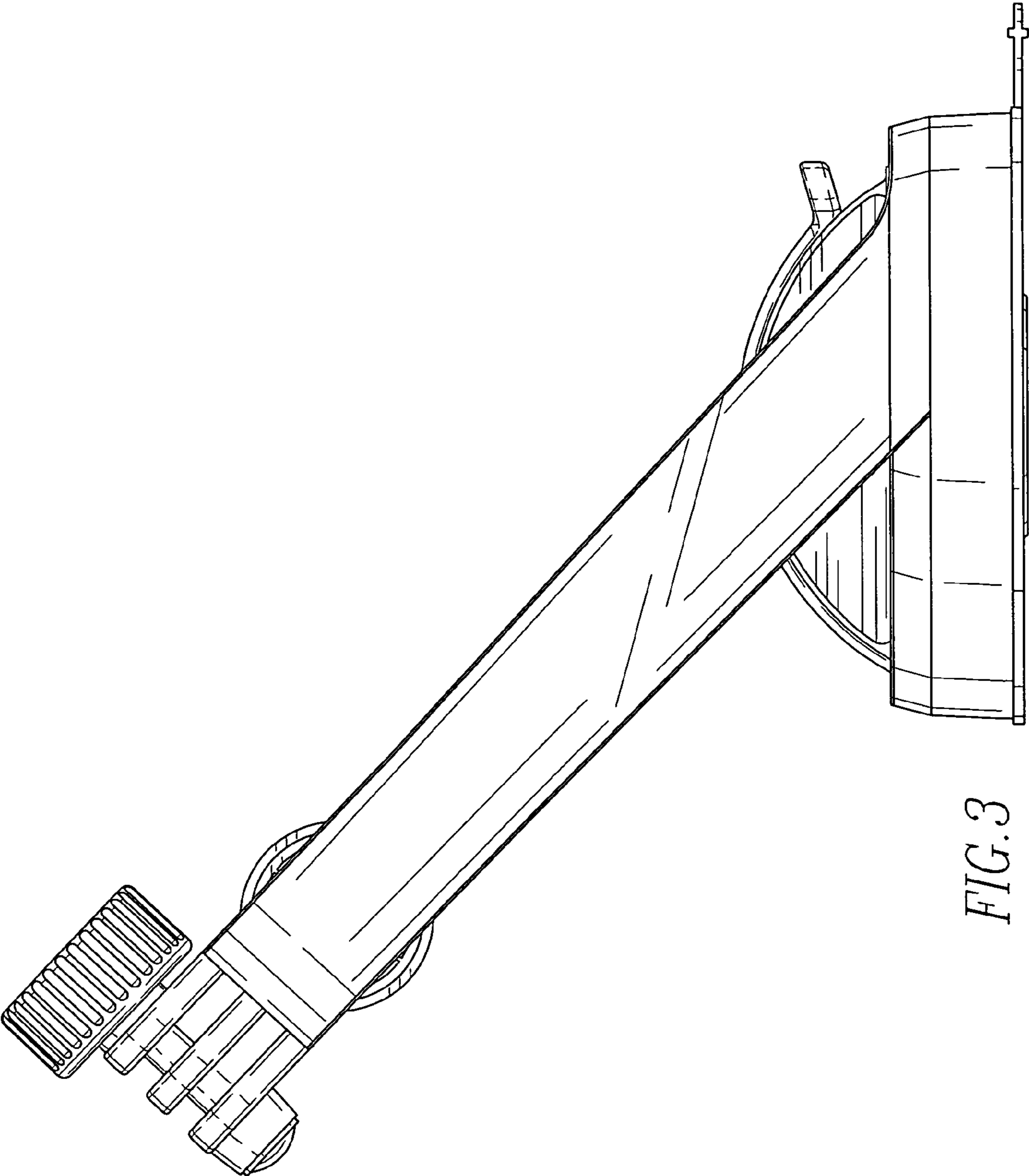


FIG. 3

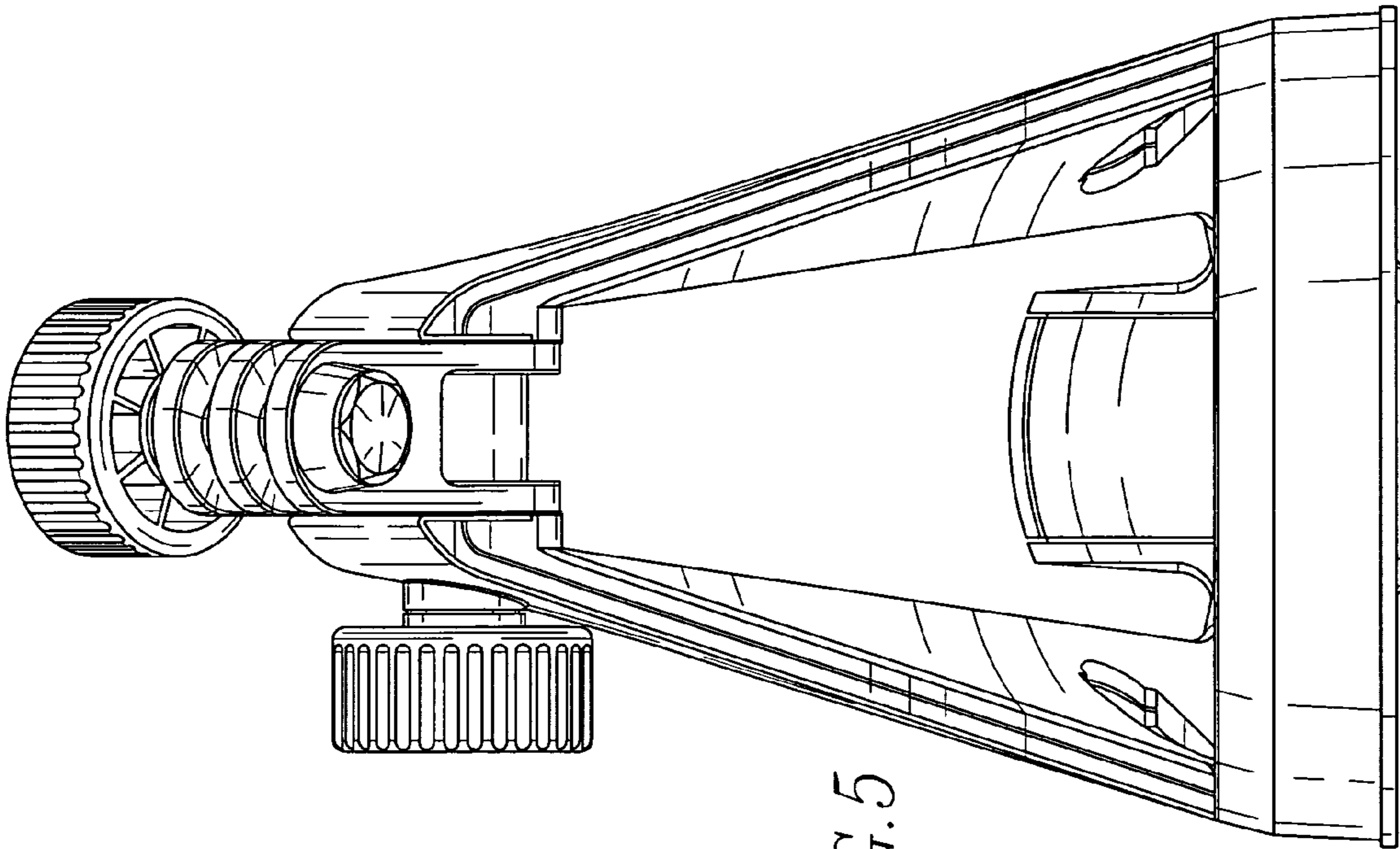


FIG. 5

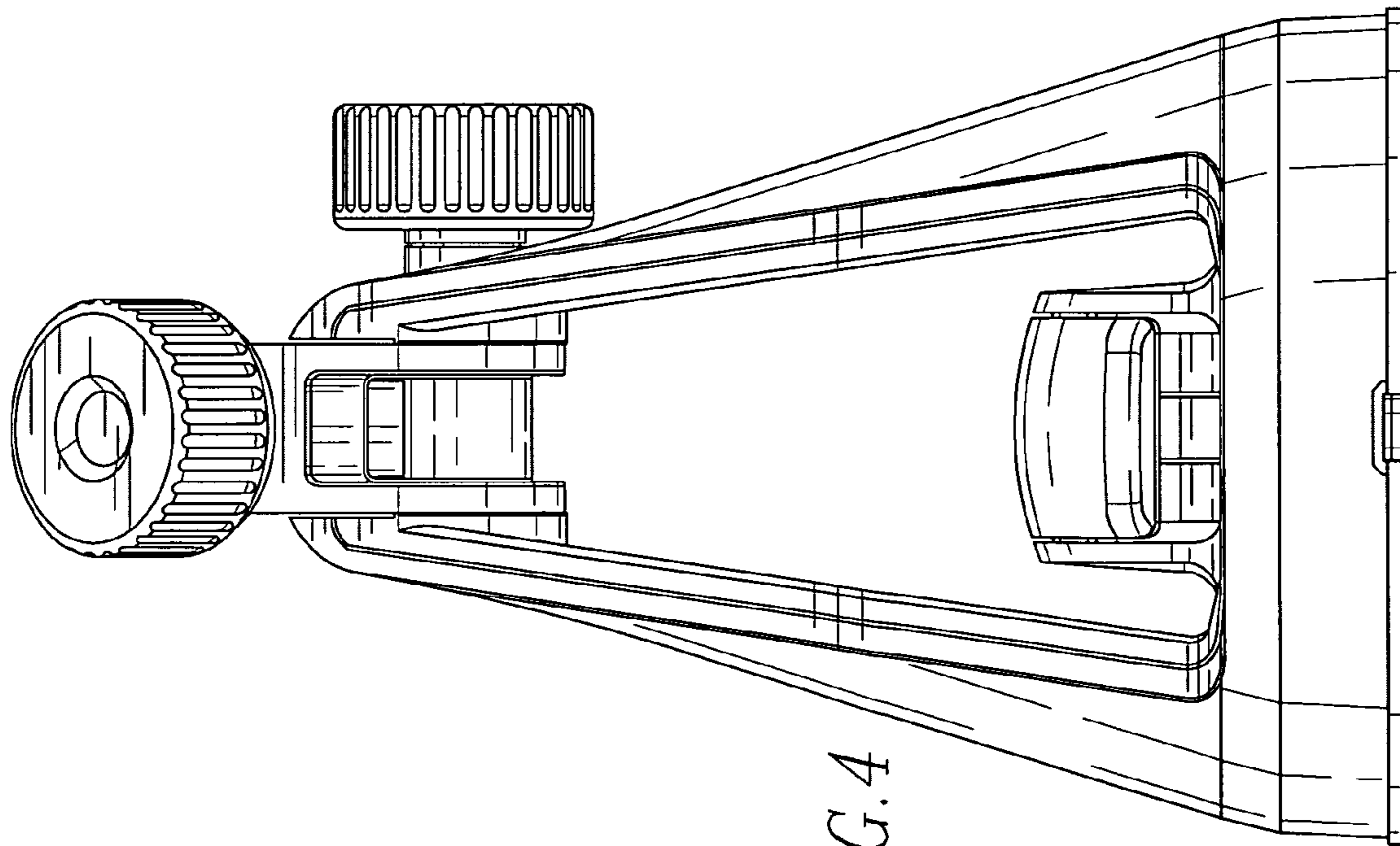


FIG. 4

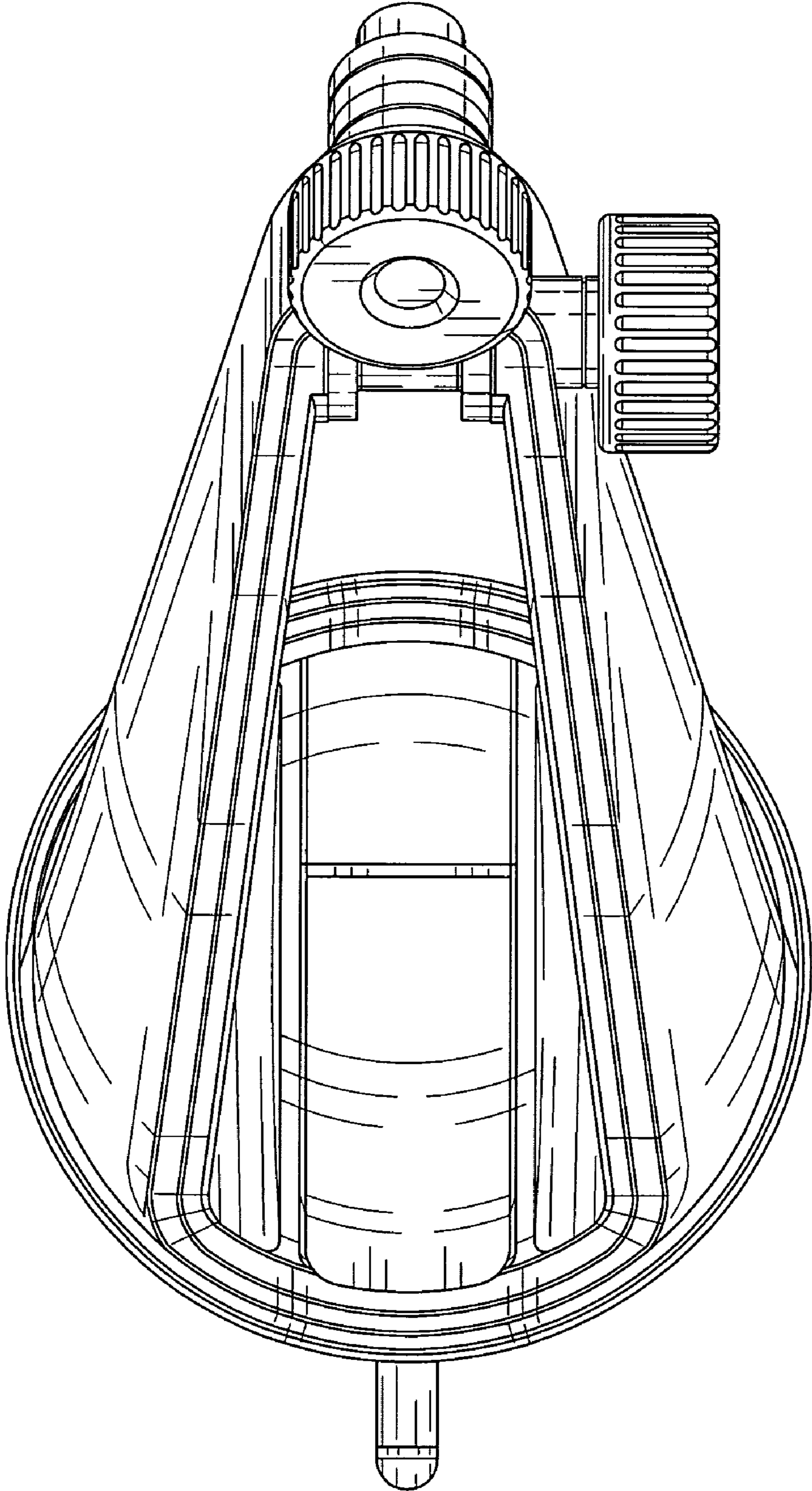


FIG. 6

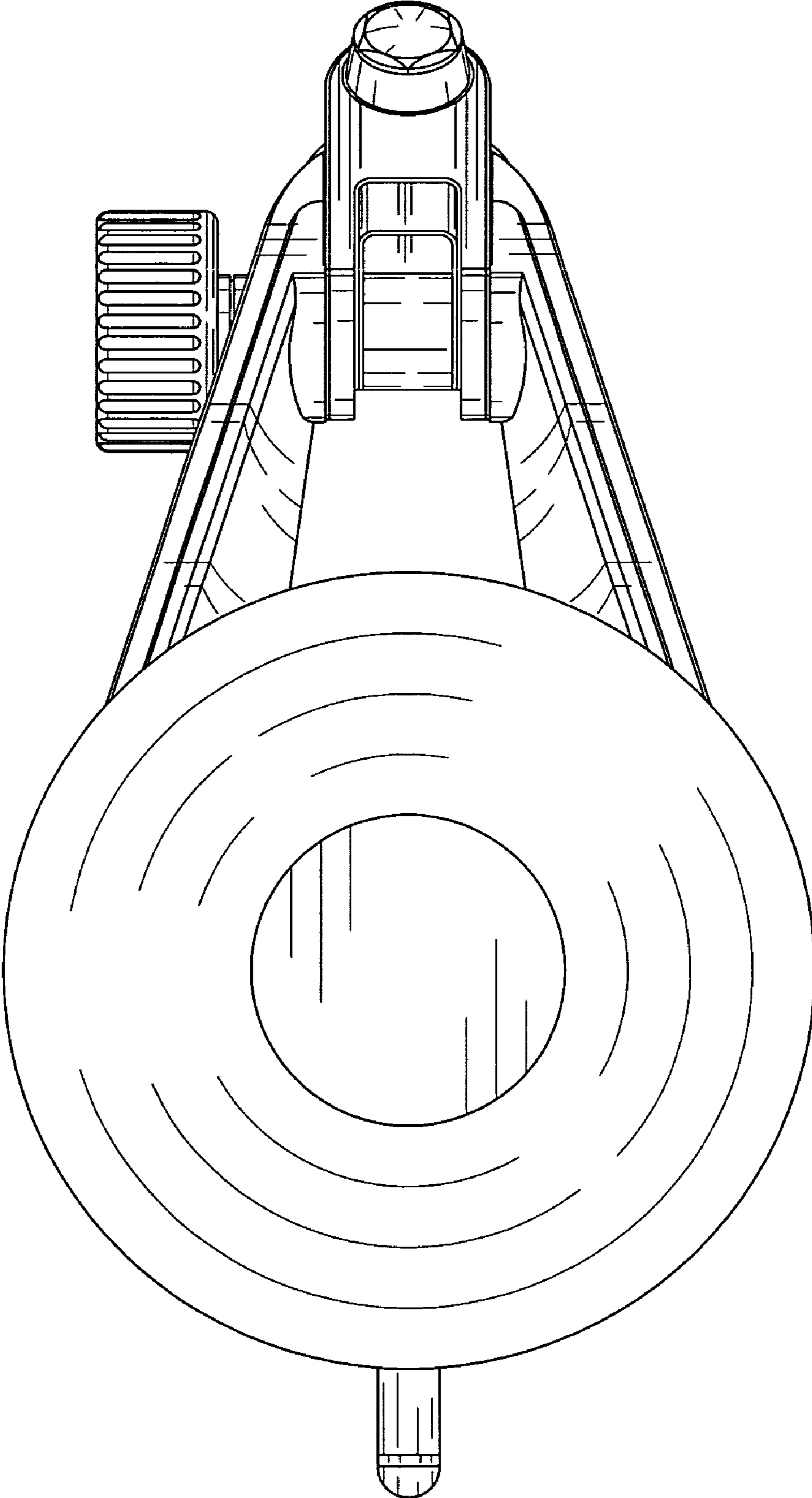


FIG. 7