



US00D613728S

(12) **United States Design Patent**
Chu et al.

(10) **Patent No.:** **US D613,728 S**
(45) **Date of Patent:** **** Apr. 13, 2010**

(54) **SHELL OF AN ELECTRONIC DEVICE**

(75) Inventors: **Feng Chu**, Shen-zhen (CN); **Qiao-Hua Du**, Shen-zhen (CN); **Chao-Hsun Lin**, Shin-din (TW); **Jen-Lung Huang**, Shin-din (TW)

(73) Assignee: **FIH (Hong Kong) Limited**, Kowloon (HK)

(**) Term: **14 Years**

(21) Appl. No.: **29/310,511**

(22) Filed: **Aug. 21, 2008**

(30) **Foreign Application Priority Data**

Jul. 31, 2008 (CN) 2008 3 0301121

(51) **LOC (9) Cl.** **14-03**

(52) **U.S. Cl.** **D14/248**

(58) **Field of Classification Search** D14/138 R, D14/138 AA, 138 AB, 138 AD, 138 C, 138 G, D14/140, 142, 148-149, 167, 240, 242, 248, D14/341-347, 432, 434, 439-440, 447, 452, D14/454, 496; D8/363, 373; D12/415; 248/206.2-206.4, 220.21, 279.1; 379/420.04, 379/426, 433.11, 446-447, 454, 455; D13/107-108; D3/200-201, 218-219, 269, 228; 224/191, 224/240; 455/575.1, 575.6, 575.8, 575.9; D5/1-4, 15, 51-53, 55, 59, 61, 62, 63, 99; D19/9-10, 77, 92; 52/316; 264/53; 162/109; 428/15, 42.2, 43, 151, 174, 294.7

See application file for complete search history.

(56) **References Cited**

U.S. PATENT DOCUMENTS

D78,303 S * 4/1929 Miller D5/59
D78,623 S * 5/1929 Grulich D5/59
D82,744 S * 12/1930 Hamill D5/61
D88,051 S * 10/1932 Willheim D5/62
D88,472 S * 11/1932 Martinoff D5/59
D88,563 S * 12/1932 Lukas D5/61
D96,563 S * 8/1935 Schick D5/59

D102,269 S * 12/1936 Fowler D5/62
D109,440 S * 4/1938 Sluizer D5/59
D124,286 S * 12/1940 Singerman D5/99
D124,942 S * 1/1941 Meyer D5/62
D132,038 S * 4/1942 Zimmerman D5/59
D133,530 S * 8/1942 Hiltenbrand D5/52
D185,723 S * 7/1959 Sylverster D5/52
D209,106 S * 10/1967 Shapira D5/59
3,536,574 A * 10/1970 Buckley 428/151
D222,775 S * 12/1971 Sartori D6/494

(Continued)

OTHER PUBLICATIONS

GelaSkin for iPod touch (2nd gen), Red Metal, <URL:http://www.daydeal.com/product.php?productid=37552&cat=4629>, retrieved from internet Nov. 25, 2009.*

(Continued)

Primary Examiner—Ian Simmons
Assistant Examiner—Carla Jobe Wright
(74) *Attorney, Agent, or Firm*—Steven M. Reiss

(57) **CLAIM**

The ornamental design for a shell of an electronic device, as shown and described.

DESCRIPTION

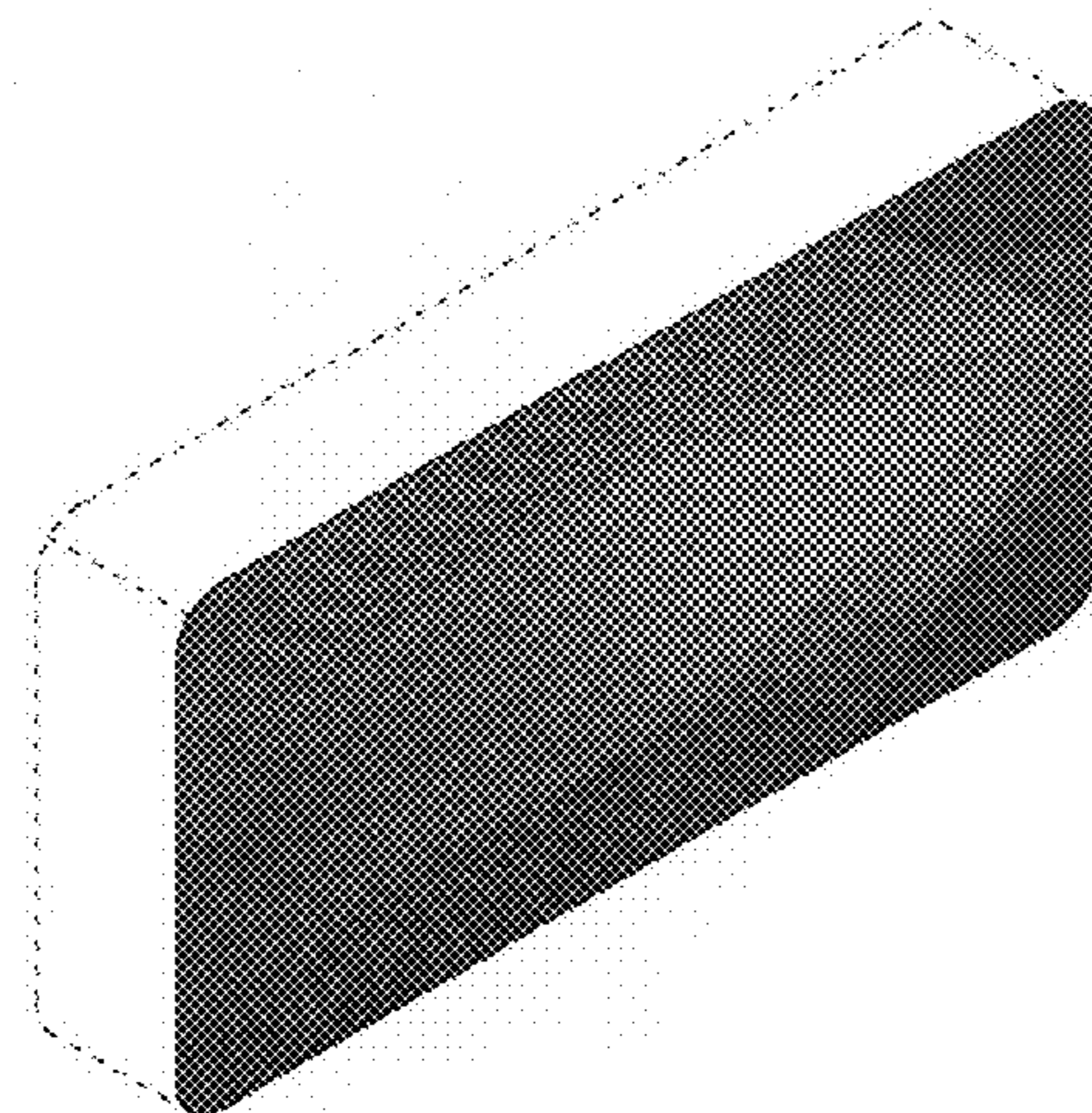
FIG. 1 is a perspective view of a shell of an electronic device showing our new design;

FIG. 2 is a front elevational view thereof; and,

FIG. 3 is a second perspective view thereof.

The broken lines are for illustrative purposes only and form no part of the claimed design.

1 Claim, 3 Drawing Sheets



US D613,728 S

Page 2

U.S. PATENT DOCUMENTS

D304,983 S * 12/1989 Palka D6/492
D490,419 S * 5/2004 Shiue et al. D14/341
D555,806 S * 11/2007 Berryman D25/48
D584,881 S * 1/2009 Curran D2/717
D589,955 S * 4/2009 Shi et al. D14/346
D604,429 S * 11/2009 McCarthy et al. D25/103
D604,727 S * 11/2009 Chu et al. D14/248

OTHER PUBLICATIONS

Agent18 ShockShield Silicone Skin Cover for iPhone 3G & 3GS,
Orange A18IPSS3/L, <URL:<http://www.daydeal.com/product.php->

?productid=37193&cat=3449>, retrieved from internet Nov. 25,
2009.*

Kyocera Melo S1300 Lime Green w/Circular Lines Snap-On Protec-
tor Case Faceplate, <URL:[http://www.wirelessemporium.com/
products/kyocera-qualcomm-melo-s1300-faceplates-covers-
kyocera-melo-s1300-lime-green-w-circular-lines-snap-on-
protector-case-faceplate.asp](http://www.wirelessemporium.com/products/kyocera-qualcomm-melo-s1300-faceplates-covers-kyocera-melo-s1300-lime-green-w-circular-lines-snap-on-protector-case-faceplate.asp)>, retrieved from internet Nov. 25,
2009.*

Chrystal Glow Blue for the iPhone 3G / 3GS, <URL:[http://www.
skinit.com/details.php?resourceId=7971](http://www.skinit.com/details.php?resourceId=7971)

&partentcat=graphic_designs/abstract_graphics/>, retrieved from
internet Nov. 28, 2009.*

* cited by examiner

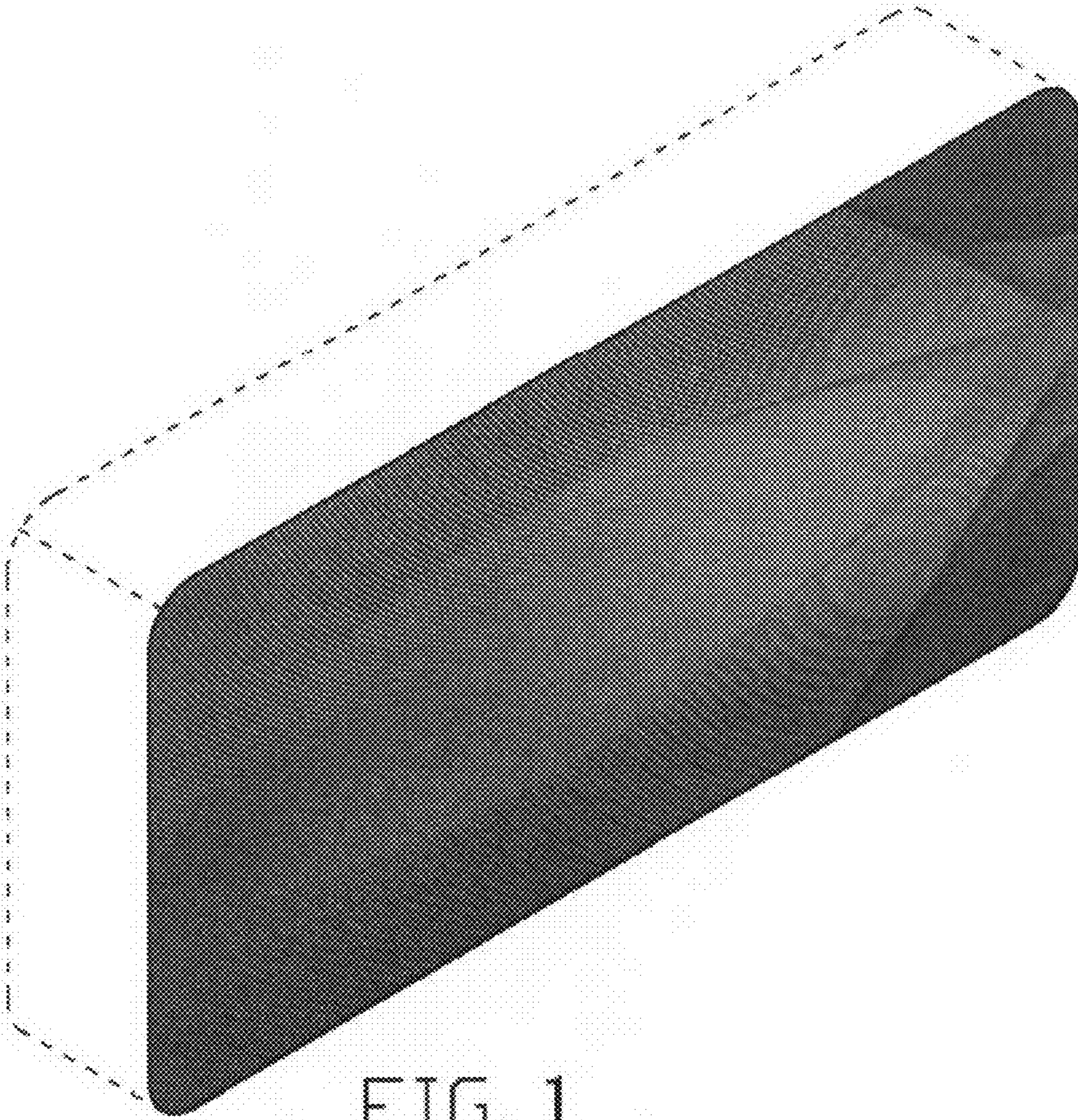


FIG. 1

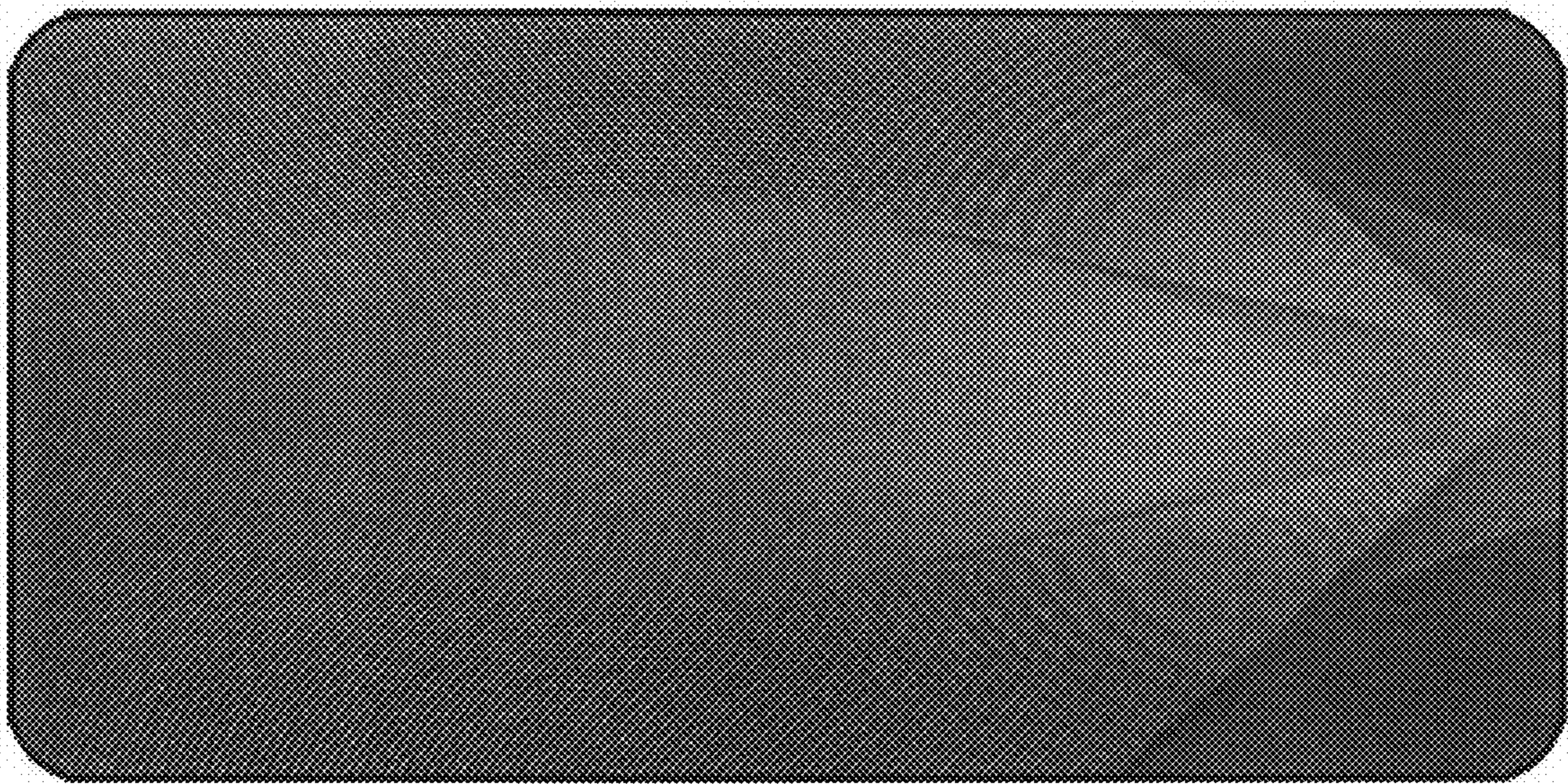


FIG. 2

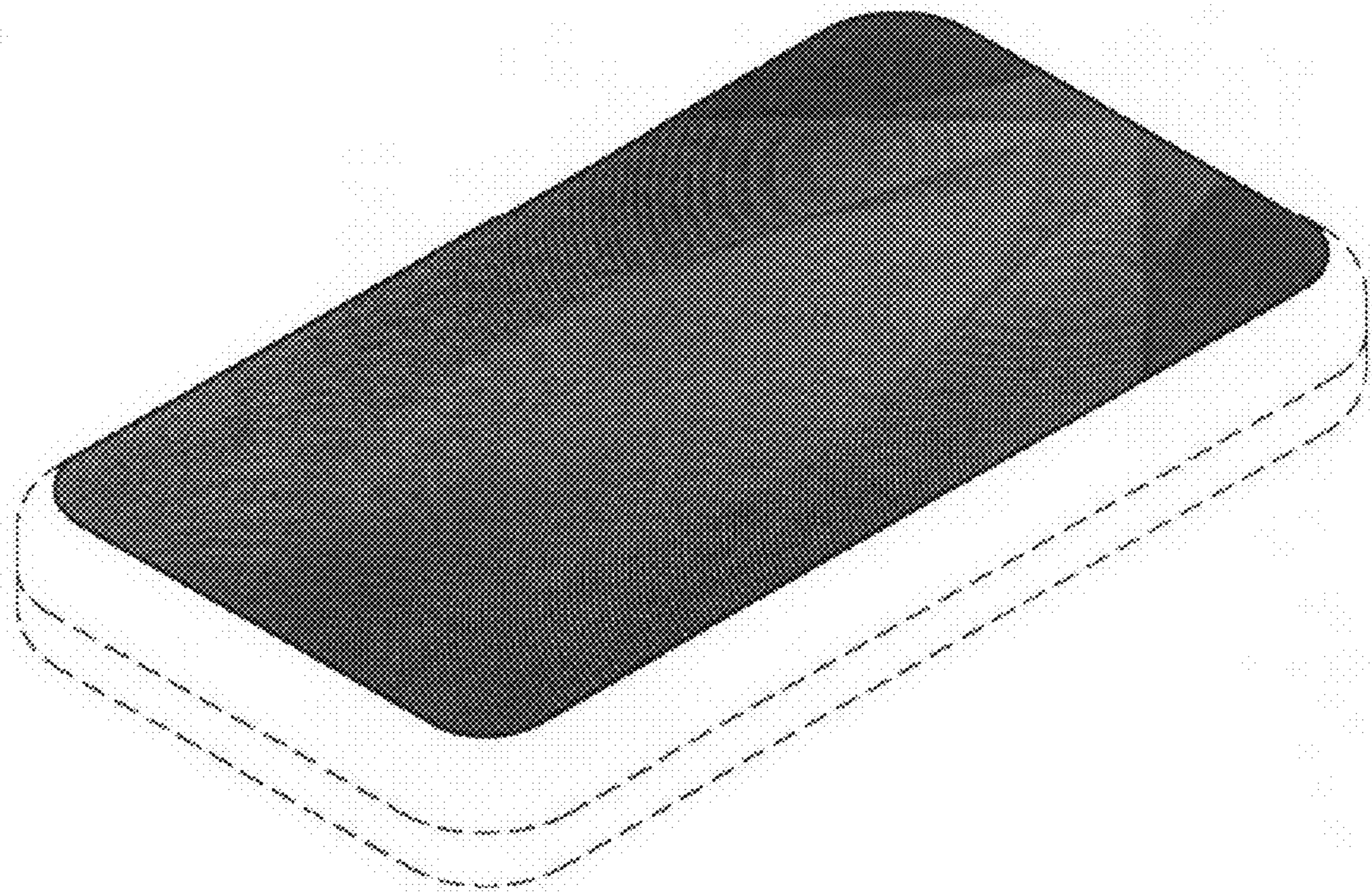


FIG. 3