



US00D613726S

(12) **United States Design Patent**  
**Blanchard et al.**

(10) **Patent No.:** **US D613,726 S**  
(45) **Date of Patent:** **\*\* Apr. 13, 2010**

(54) **HEADPHONE**

(75) Inventors: **Mark A. Blanchard**, Lebanon, IN (US);  
**Bradley C. Geswein**, Plainfield, IN  
(US); **Thomas E. Gospel**, Carmel, IN  
(US); **Glen D. Fuller**, Indianapolis, IN  
(US)

(73) Assignee: **Klipsch, LLC**, Indianapolis, IN (US)

(\*\*) Term: **14 Years**

(21) Appl. No.: **29/339,048**

(22) Filed: **Jun. 23, 2009**

(51) **LOC (9) Cl.** ..... **14-01**

(52) **U.S. Cl.** ..... **D14/223**

(58) **Field of Classification Search** ..... D14/205,  
D14/206, 223, 142, 188, 192; D24/173,  
D24/174; 181/129, 130, 135, 137; 379/430;  
381/328, 330, 370, 379, 378, 375, 322, 323;  
128/864; 455/90.3, 575.1

See application file for complete search history.

(56) **References Cited**

**U.S. PATENT DOCUMENTS**

3,475,566 A \* 10/1969 Bauer ..... 381/323  
D455,835 S \* 4/2002 Anderson et al. .... D24/174  
6,922,476 B2 \* 7/2005 Nassimi ..... 381/380

D514,551 S \* 2/2006 Lee et al. .... D14/223  
D516,058 S \* 2/2006 Garcia ..... D14/205  
D535,644 S \* 1/2007 Drambarean et al. .... D14/223  
D550,200 S \* 9/2007 Drambarean et al. .... D14/205  
D550,201 S \* 9/2007 Drambarean et al. .... D14/205  
D586,778 S \* 2/2009 Yang ..... D14/205  
D603,844 S \* 11/2009 Blanchard et al. .... D14/223  
7,616,772 B2 \* 11/2009 Sabick et al. .... 381/374

\* cited by examiner

*Primary Examiner*—Paula Greene

(74) *Attorney, Agent, or Firm*—Krieg DeVault LLP

(57) **CLAIM**

The ornamental design for a headphone, as shown.

**DESCRIPTION**

FIG. 1 is a front perspective view of a headphone showing our new design;

FIG. 2 is a front view thereof;

FIG. 3 is a back view thereof;

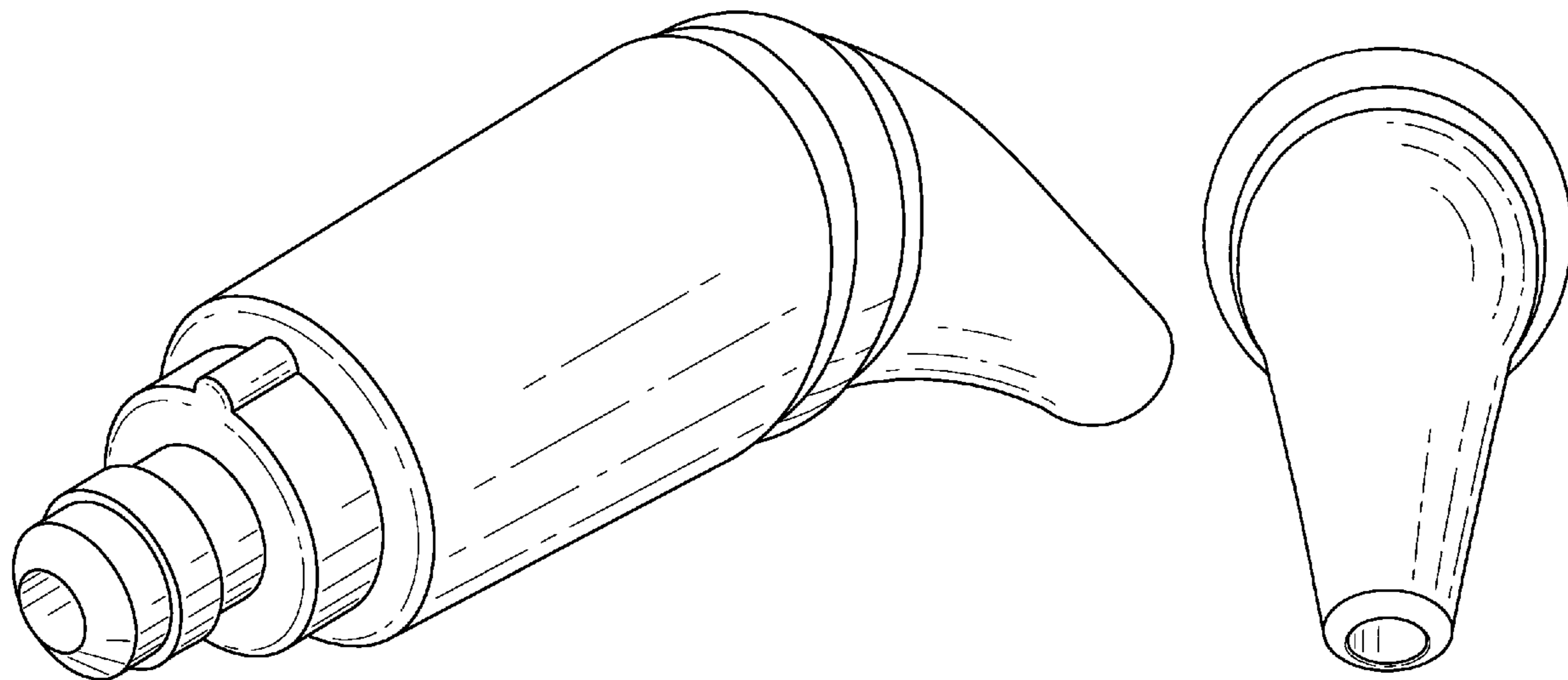
FIG. 4 is a top view thereof;

FIG. 5 is a bottom view thereof;

FIG. 6 is a left side view thereof; and,

FIG. 7 is a right side view thereof.

**1 Claim, 6 Drawing Sheets**



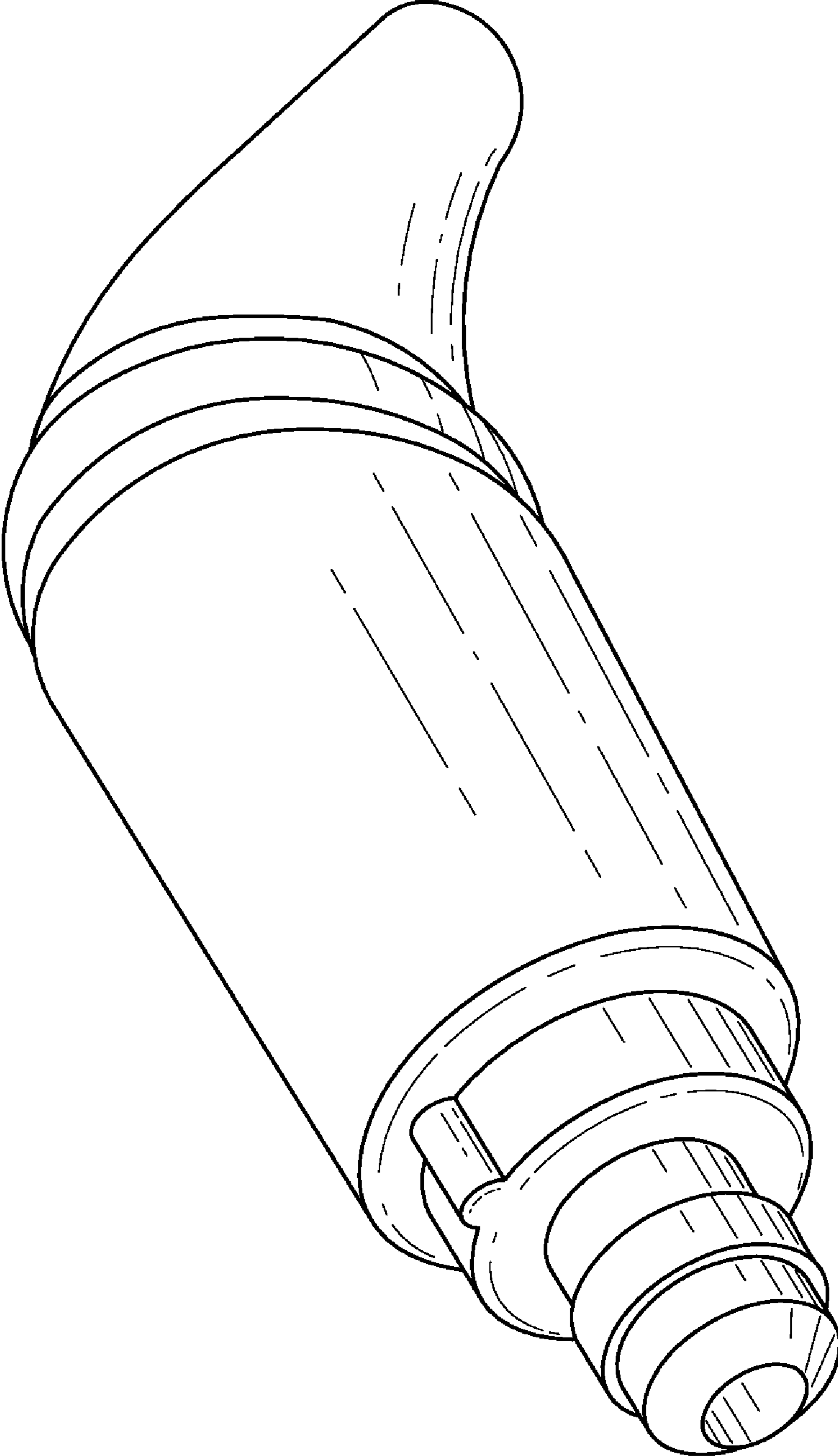


Fig. 1

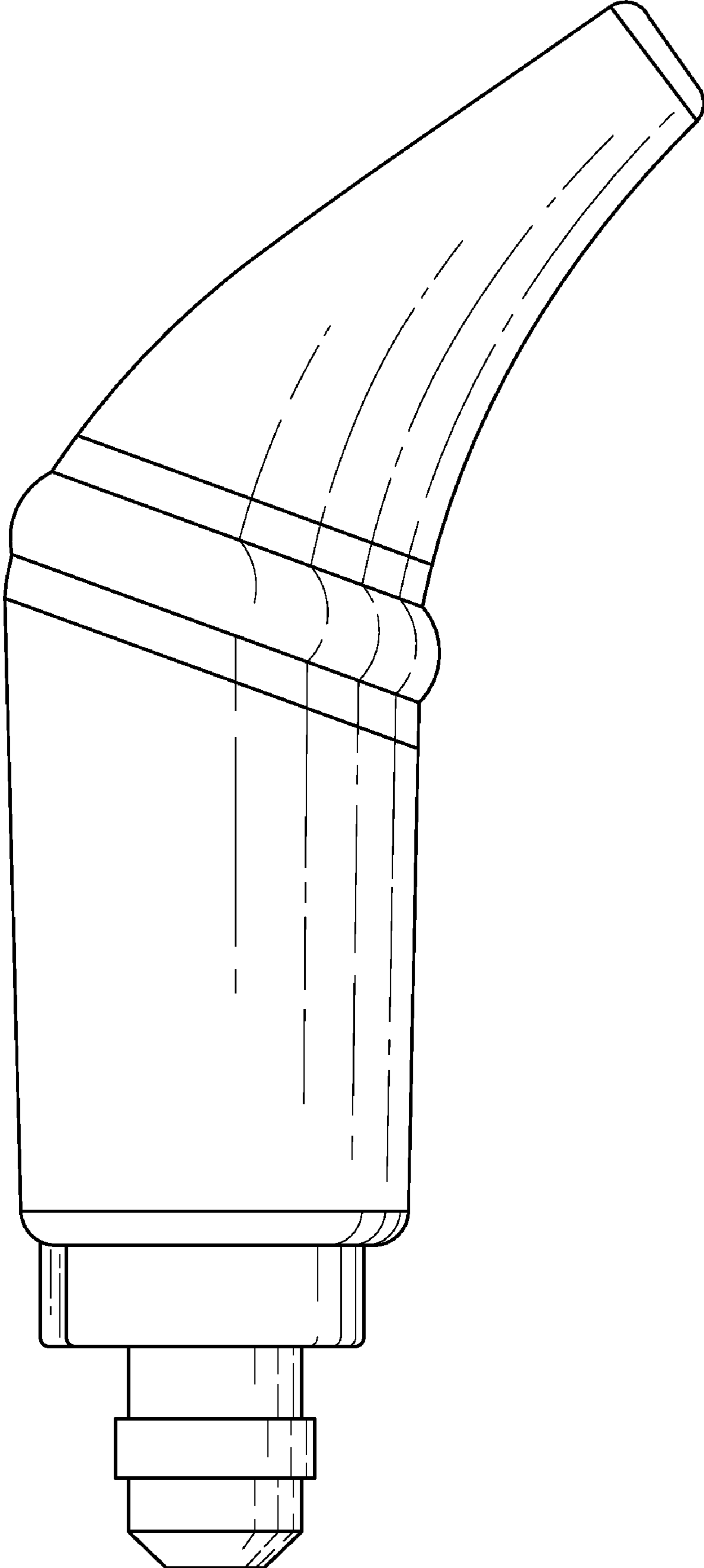


Fig. 2

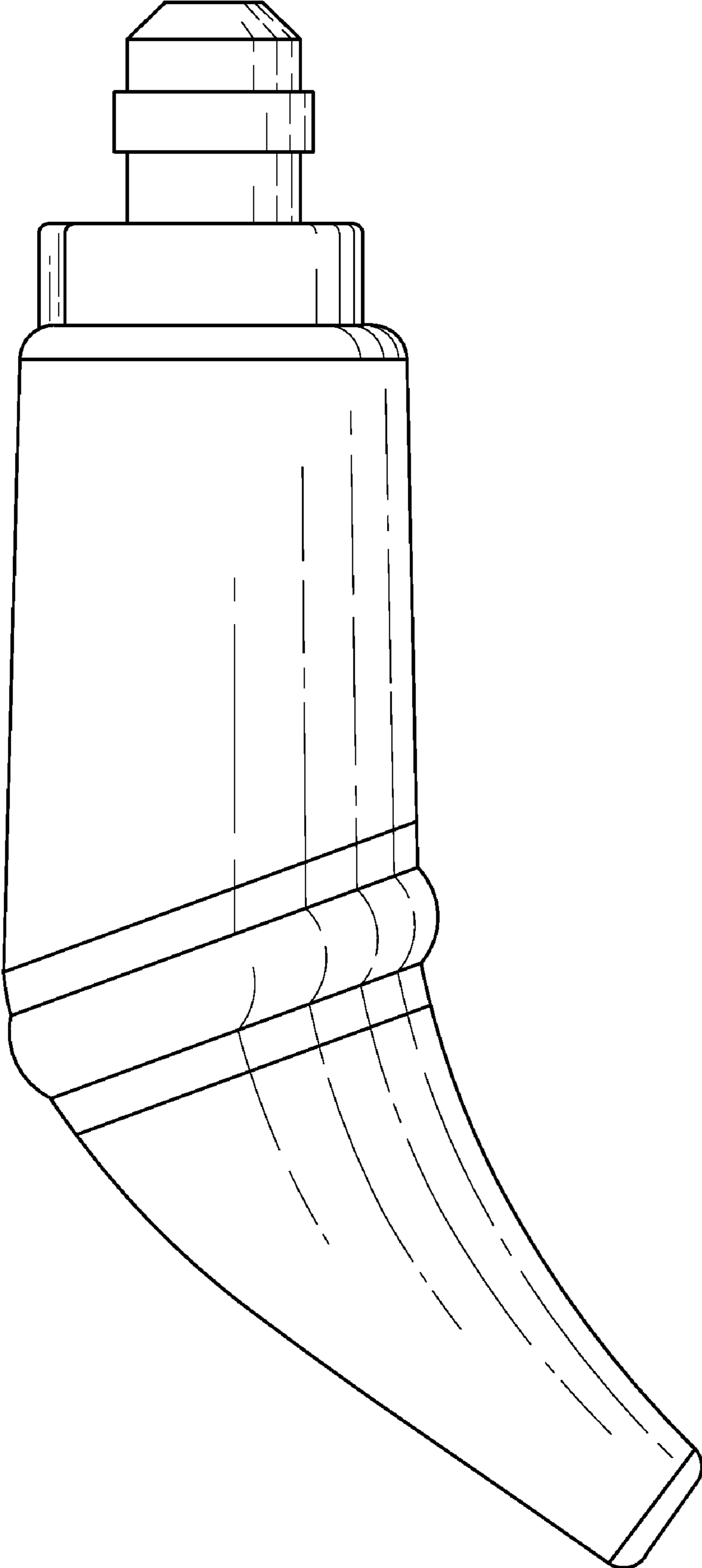


Fig. 3

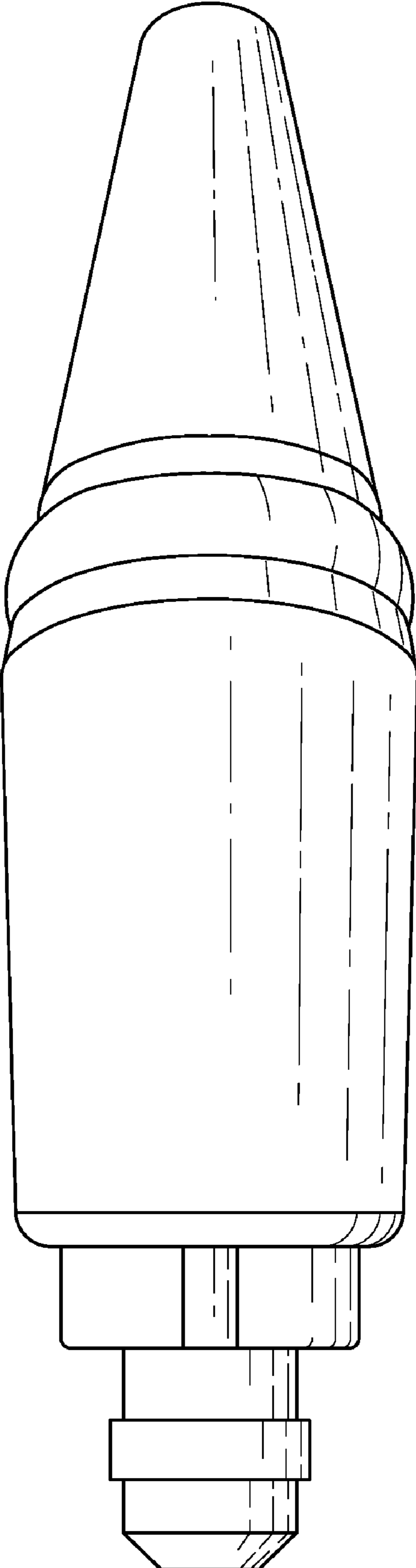


Fig. 4

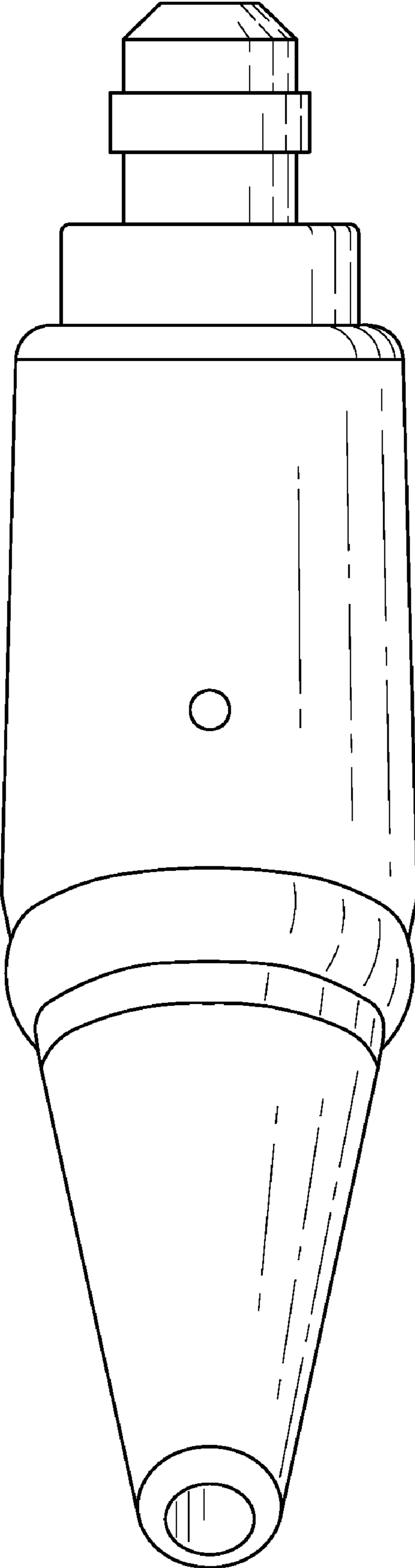


Fig. 5

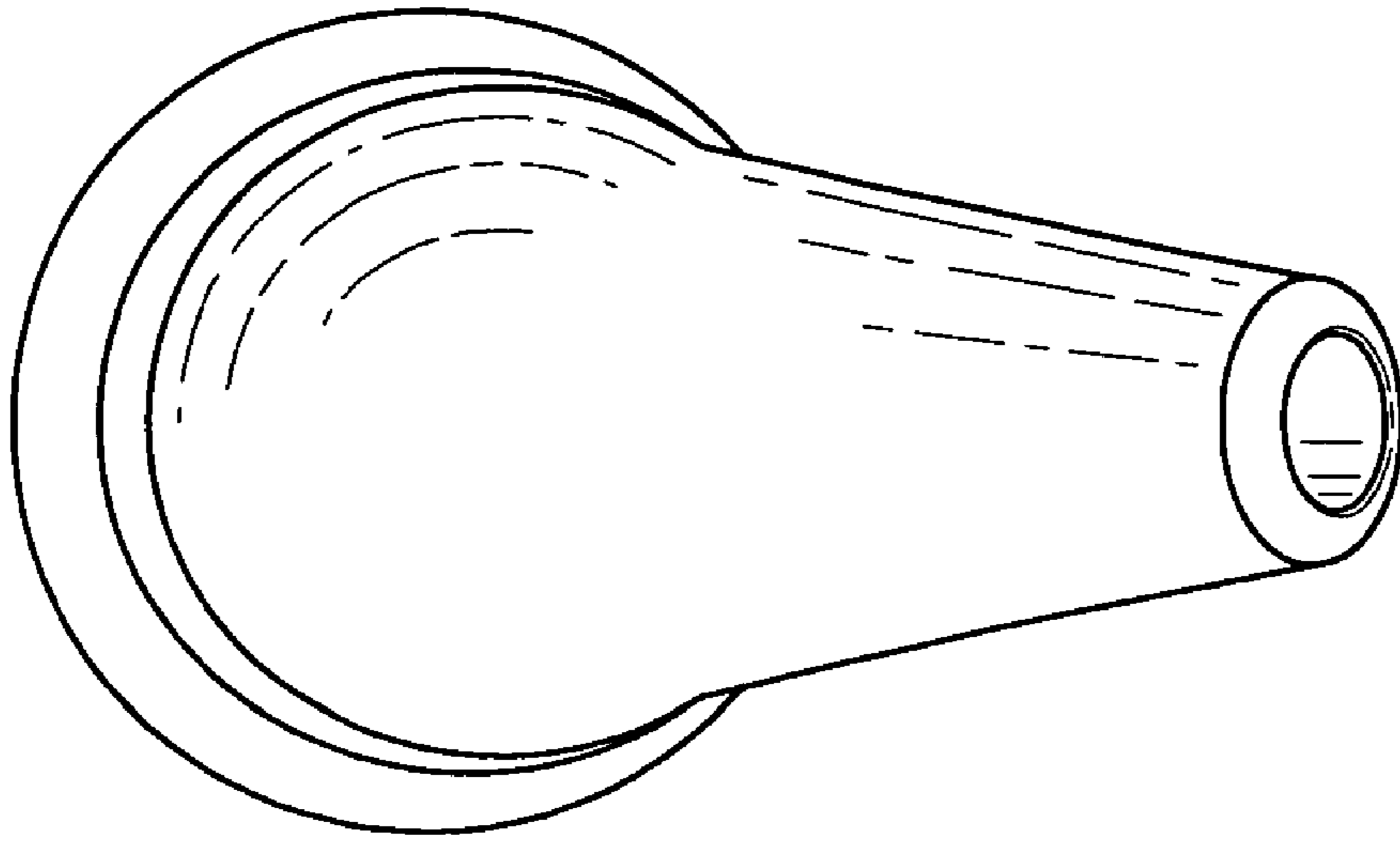


Fig. 7

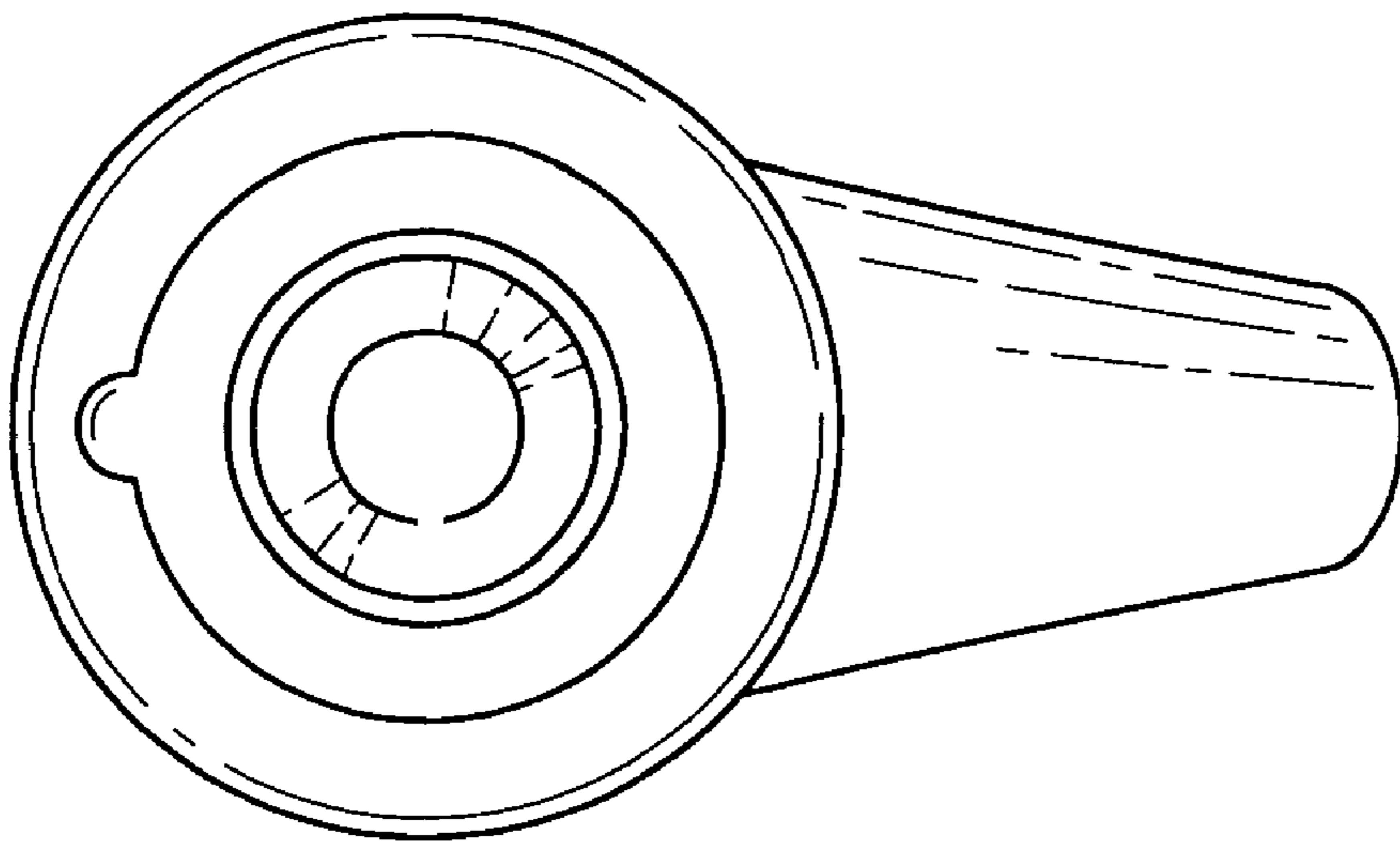


Fig. 6