



US00D613724S

(12) **United States Design Patent**  
**Kao et al.**

(10) **Patent No.:** **US D613,724 S**  
(45) **Date of Patent:** **\*\* Apr. 13, 2010**

(54) **INTERNET PROTOCOL (IP) PHONE**

(75) Inventors: **Chi-Hsiang Kao**, Taipei Hsien (TW);  
**Wen-Pin Chen**, Taipei Hsien (TW)

(73) Assignee: **Hon Hai Precision Industry Co., Ltd.**,  
Tu-Cheng, Taipei Hsien (TW)

(\*\*) Term: **14 Years**

(21) Appl. No.: **29/340,990**

(22) Filed: **Jul. 29, 2009**

(30) **Foreign Application Priority Data**

Apr. 3, 2009 (CN) ..... 2009 3 0302172

(51) **LOC (9) Cl.** ..... **14-03**

(52) **U.S. Cl.** ..... **D14/151**

(58) **Field of Classification Search** ..... D14/130,  
D14/140-142, 144, 149-151, 158-159, 240,  
D14/243, 339, 496; 379/88.17, 90.01, 93.17,  
379/387.01, 388.02, 419-420.04, 420.02,  
379/428.01-428.04, 434-436, 440, 446-447,  
379/454-455, 93.23; 381/16, 71.1; D13/107-108;  
320/108, 110, 113-115; 455/411, 550.1-90.3;  
348/14.01-14.06; D21/517

See application file for complete search history.

(56) **References Cited**

**U.S. PATENT DOCUMENTS**

D237,505 S \* 11/1975 Thies ..... D14/150  
D251,844 S \* 5/1979 Kramer ..... D14/151  
D265,730 S \* 8/1982 Fukushima et al. .... D14/247  
D282,066 S \* 1/1986 Menei et al. .... D14/151  
D295,409 S \* 4/1988 Drew et al. .... D14/248  
D319,054 S \* 8/1991 Appleby ..... D14/151  
D319,235 S \* 8/1991 Sato ..... D14/151  
D319,641 S \* 9/1991 Sugi et al. .... D14/151  
D328,295 S \* 7/1992 Gagnon et al. .... D14/142  
D330,028 S \* 10/1992 Gagnon et al. .... D14/151  
D363,285 S \* 10/1995 Vessey et al. .... D14/151  
D368,090 S \* 3/1996 Zeitman ..... D14/151  
D389,144 S \* 1/1998 Hua ..... D14/151

D390,561 S \* 2/1998 Schappler et al. .... D14/149  
D406,842 S \* 3/1999 Zeitman ..... D14/151  
D412,330 S \* 7/1999 Shigemura ..... D14/151  
D413,120 S \* 8/1999 Girardi et al. .... D14/151  
D420,405 S \* 2/2000 Plain et al. .... D21/517  
D426,535 S \* 6/2000 Zeitman ..... D14/151  
D481,701 S \* 11/2003 Kamezawa et al. .... D14/151

(Continued)

**FOREIGN PATENT DOCUMENTS**

WO DM/051745 \* 4/2000

**OTHER PUBLICATIONS**

Northwestern Bell 77340-1, <URL:http://www.101phones.com/de-  
tails/8178-7007/Northwestern-Bell-Single-Line-Corded-Phones-  
77340-1.html>, retrieved from internet Dec. 5, 2009.\*

*Primary Examiner*—Ian Simmons  
*Assistant Examiner*—Carla Jobe Wright  
(74) *Attorney, Agent, or Firm*—Raymond J. Chew

(57) **CLAIM**

The ornamental design for an internet protocol (IP) phone, as shown and described.

**DESCRIPTION**

FIG. 1 is a perspective view of an internet protocol (IP) phone showing my new design;

FIG. 2 is a front elevational view thereof;

FIG. 3 is a rear elevational view thereof;

FIG. 4 is a left side elevational view thereof;

FIG. 5 is a right side elevational view thereof;

FIG. 6 is a top plan view thereof; and,

FIG. 7 is a bottom plan view thereof.

The broken lines in FIG. 3 and the features depicted in broken lines form no part of the claimed design.

**1 Claim, 7 Drawing Sheets**



# US D613,724 S

Page 2

---

## U.S. PATENT DOCUMENTS

D490,795 S *	6/2004	Watanabe et al. ....	D14/151	D576,998 S *	9/2008	Furuno .....	D14/151
D558,180 S *	12/2007	Daly et al. ....	D14/151	D597,061 S *	7/2009	Akatsu et al. ....	D14/151
D572,701 S *	7/2008	Tani .....	D14/151	2005/0069126 A1 *	3/2005	Xue .....	379/454

\* cited by examiner



FIG. 1

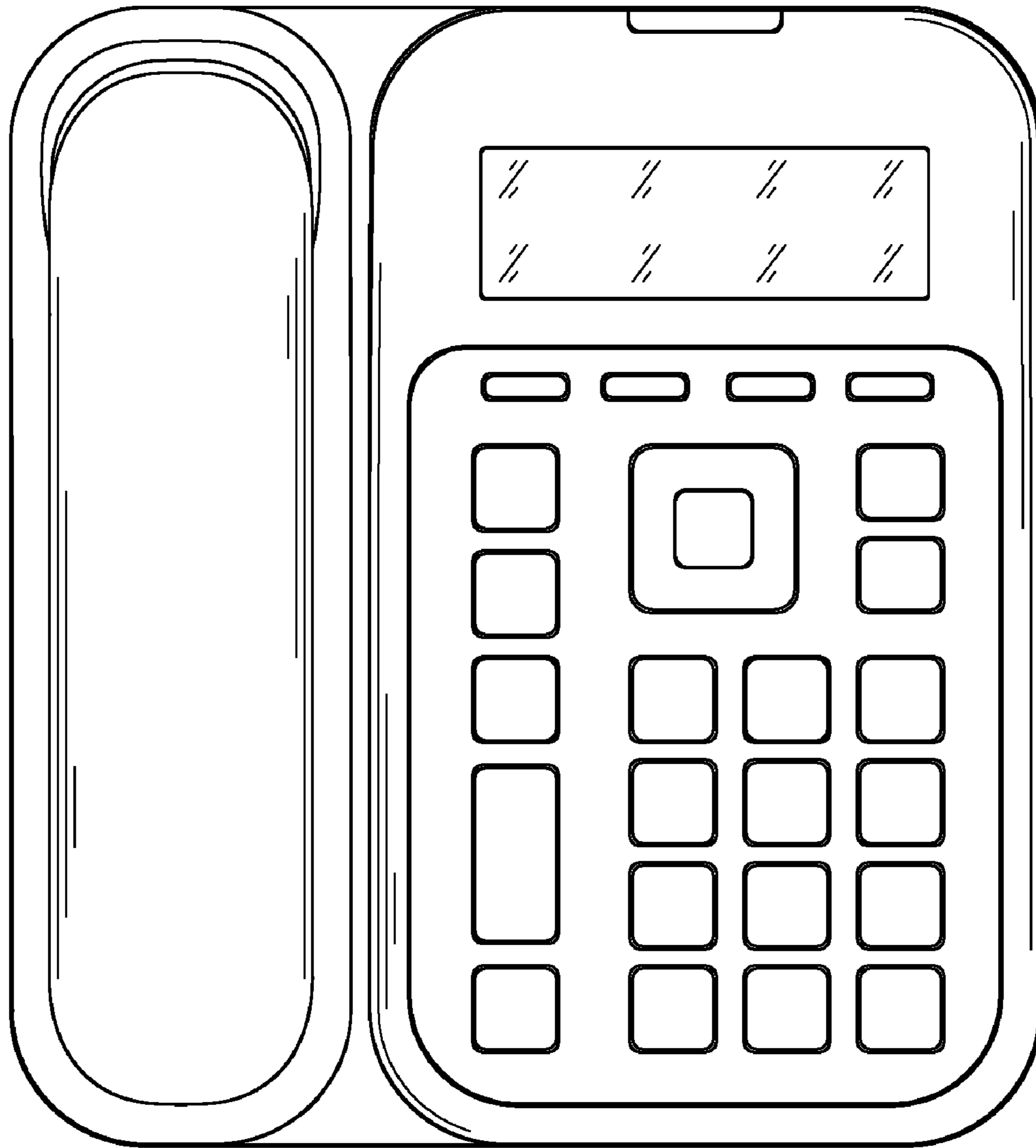


FIG. 2

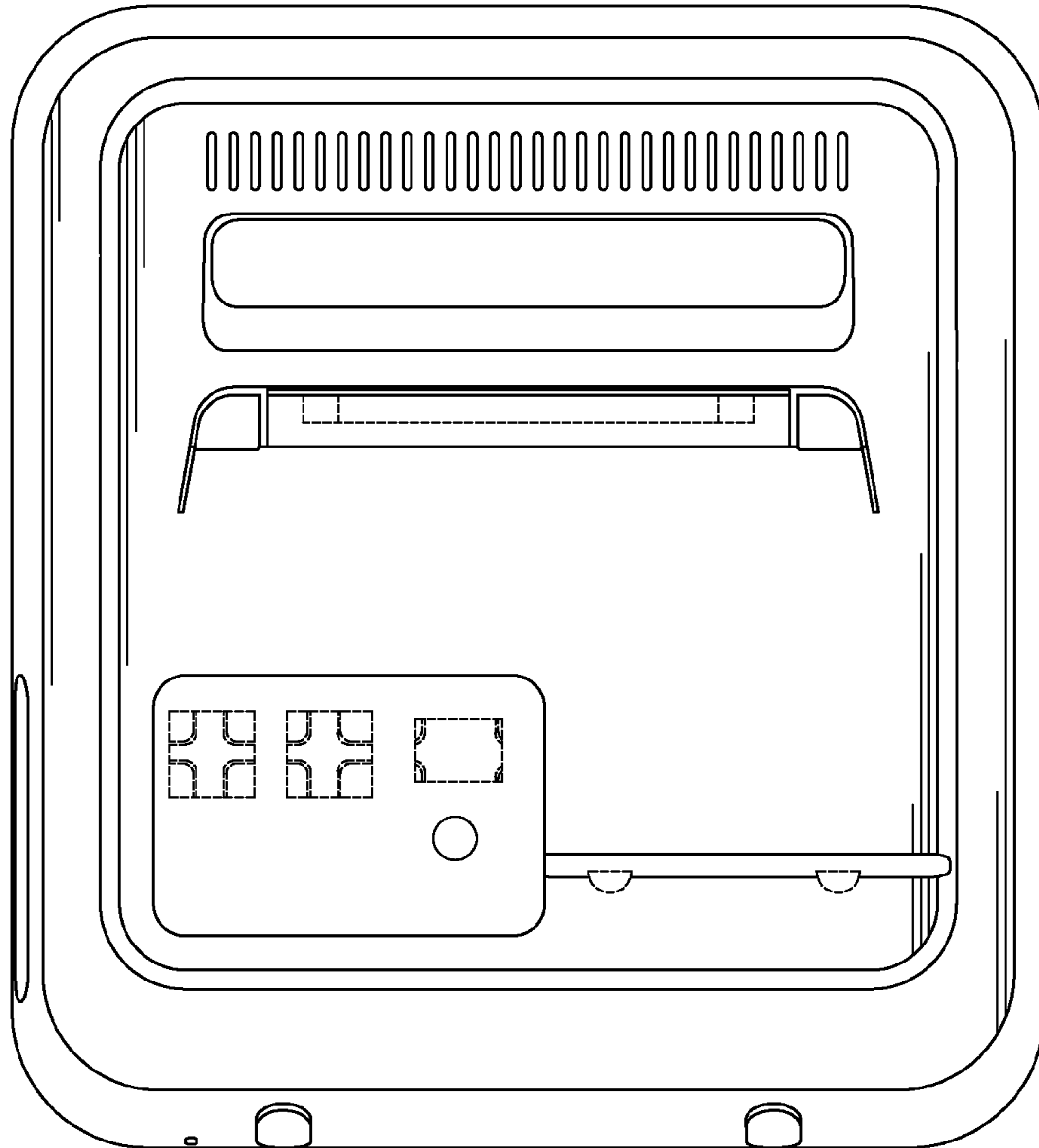


FIG. 3

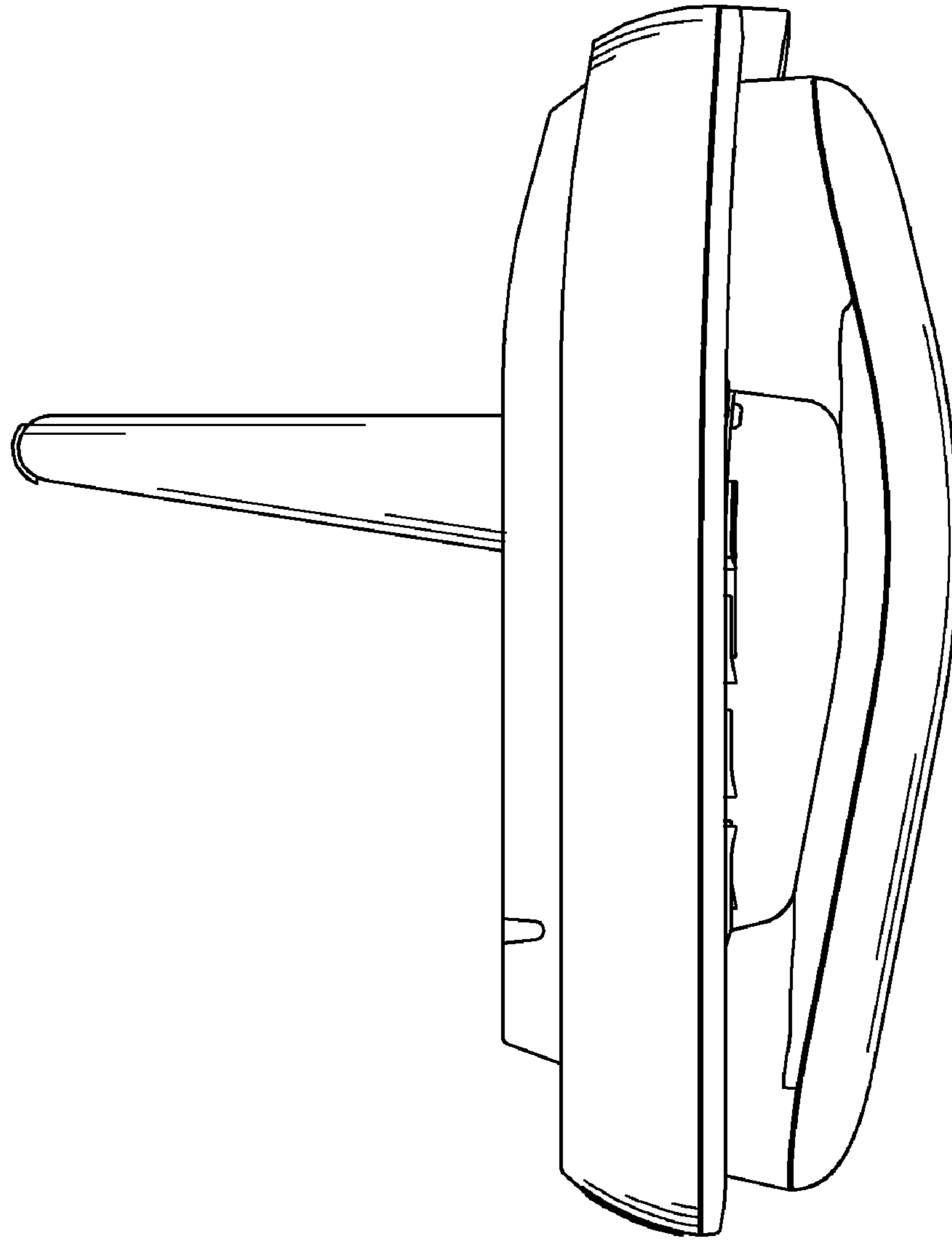


FIG. 4

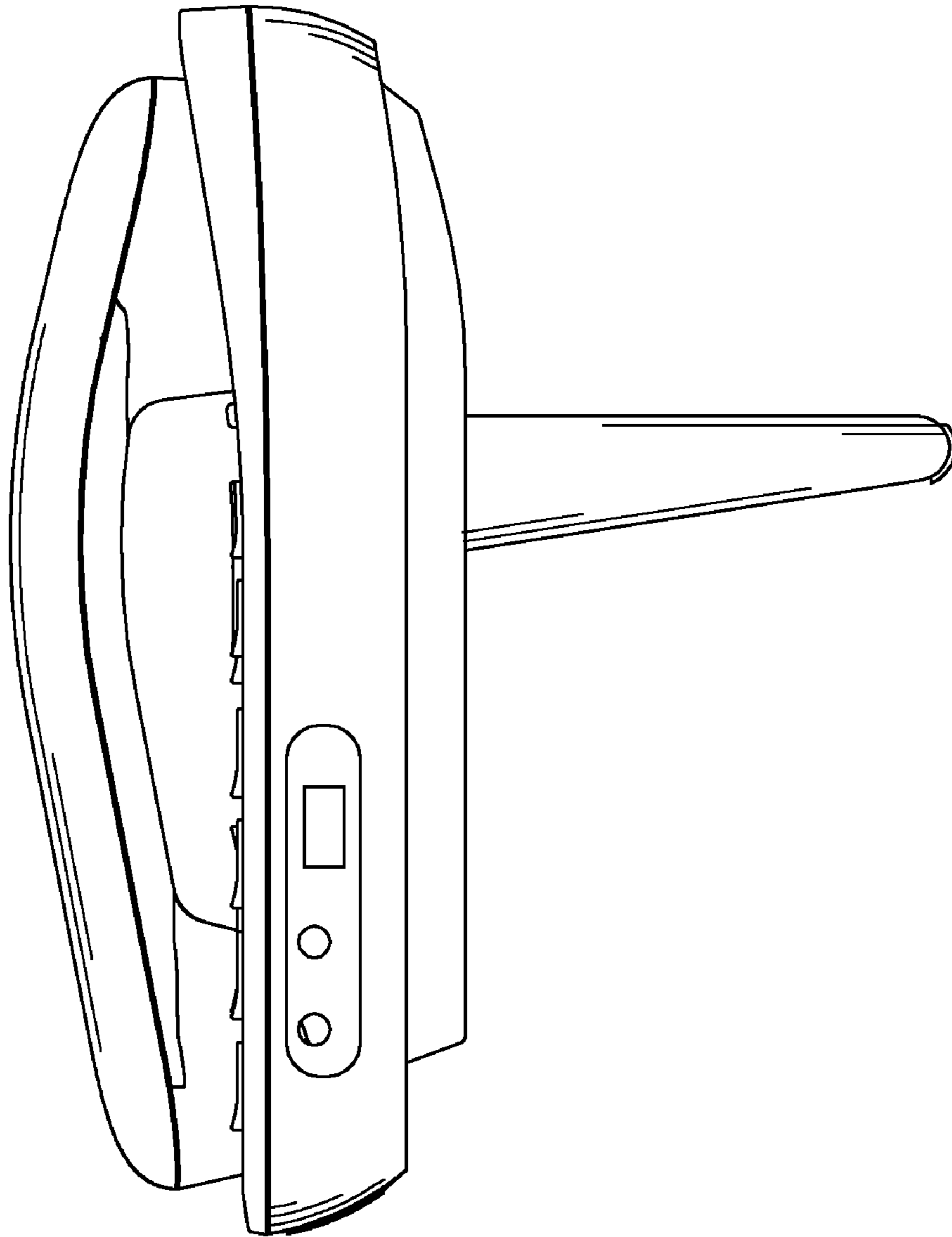


FIG. 5

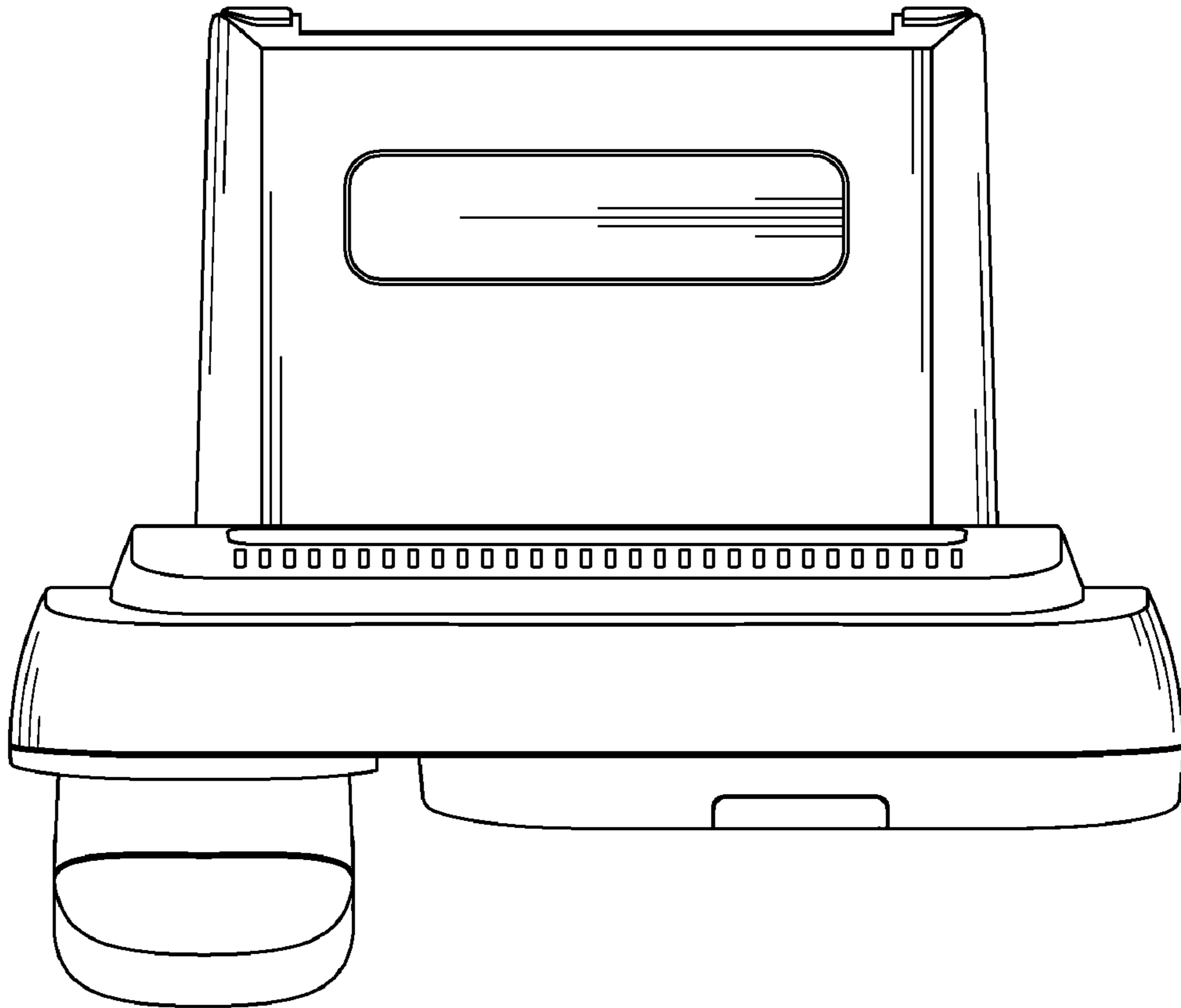


FIG. 6



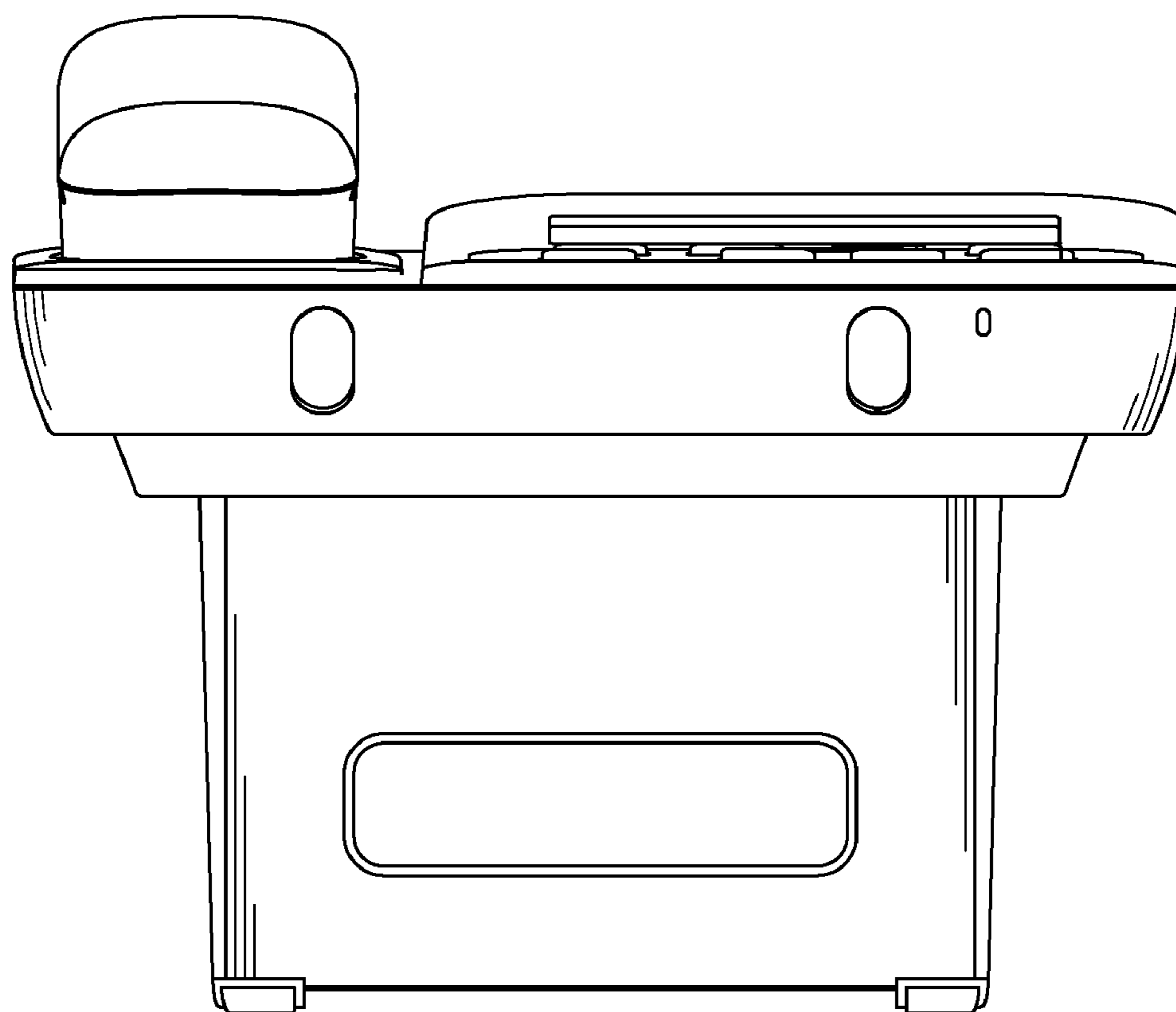


FIG. 7