



US00D613721S

(12) **United States Design Patent**
Kim et al.

(10) **Patent No.:** **US D613,721 S**
(45) **Date of Patent:** **** Apr. 13, 2010**

(54) **MOBILE PHONE**

(75) Inventors: **Bo-Ra Kim**, Seoul (KR); **Hyun-Seop Kim**, Seoul (KR); **Chang-Hwan Hwang**, Goyang-Si (KR)

(73) Assignee: **Samsung Electronics Co., Ltd.** (KR)

(**) Term: **14 Years**

(21) Appl. No.: **29/338,191**

(22) Filed: **Jun. 5, 2009**

(30) **Foreign Application Priority Data**

Apr. 24, 2009 (KR) 30-2009-0017830

(51) **LOC (9) Cl.** **14-03**

(52) **U.S. Cl.** **D14/138 AD**

(58) **Field of Classification Search** D14/138 R,
D14/138 AD, 138 AC, 138 C, 138 G, 191,
D14/203.1–203.8, 496, 138 AA, 138 AB,
D14/247–248, 137, 147, 218, 341–347; D10/65,
D10/78, 104; D13/168; D18/7; 455/566,
455/575.1, 575.3

See application file for complete search history.

(56) **References Cited**

U.S. PATENT DOCUMENTS

- D495,695 S * 9/2004 Yugaya D14/346
- D547,292 S * 7/2007 Kim et al. D14/138 AC
- D549,202 S * 8/2007 Kim et al. D14/138 AB
- D551,646 S * 9/2007 Kim et al. D14/138 AC
- D552,057 S * 10/2007 Kim D14/138 AB
- D562,298 S * 2/2008 Yoon D14/138 AD
- D563,369 S * 3/2008 Kim et al. D14/138 AD
- D569,365 S * 5/2008 Shin et al. D14/138 AC
- D575,759 S * 8/2008 Park et al. D14/138 AD
- D576,140 S * 9/2008 Park et al. D14/138 AD
- D576,595 S * 9/2008 Han et al. D14/138 AD
- D579,899 S * 11/2008 Park et al. D14/138 AD
- D580,391 S * 11/2008 Kim et al. D14/138 AD

- D580,929 S * 11/2008 Kao et al. D14/346
- D588,567 S * 3/2009 Miles et al. D14/138 AD
- D591,714 S * 5/2009 Kim et al. D14/138 AD
- D593,531 S * 6/2009 Lee et al. D14/138 AD
- D594,837 S * 6/2009 Choi et al. D14/138 AD

(Continued)

OTHER PUBLICATIONS

LG KG290, announced Sep. 2007, [online], [retrieved on Dec. 13, 2007]. Retrieved from Internet ,<URL: <http://www.gsmarena.com>>.*

(Continued)

Primary Examiner—Jeffrey D Asch
Assistant Examiner—Bridget L Eland
(74) *Attorney, Agent, or Firm*—NSIP Law

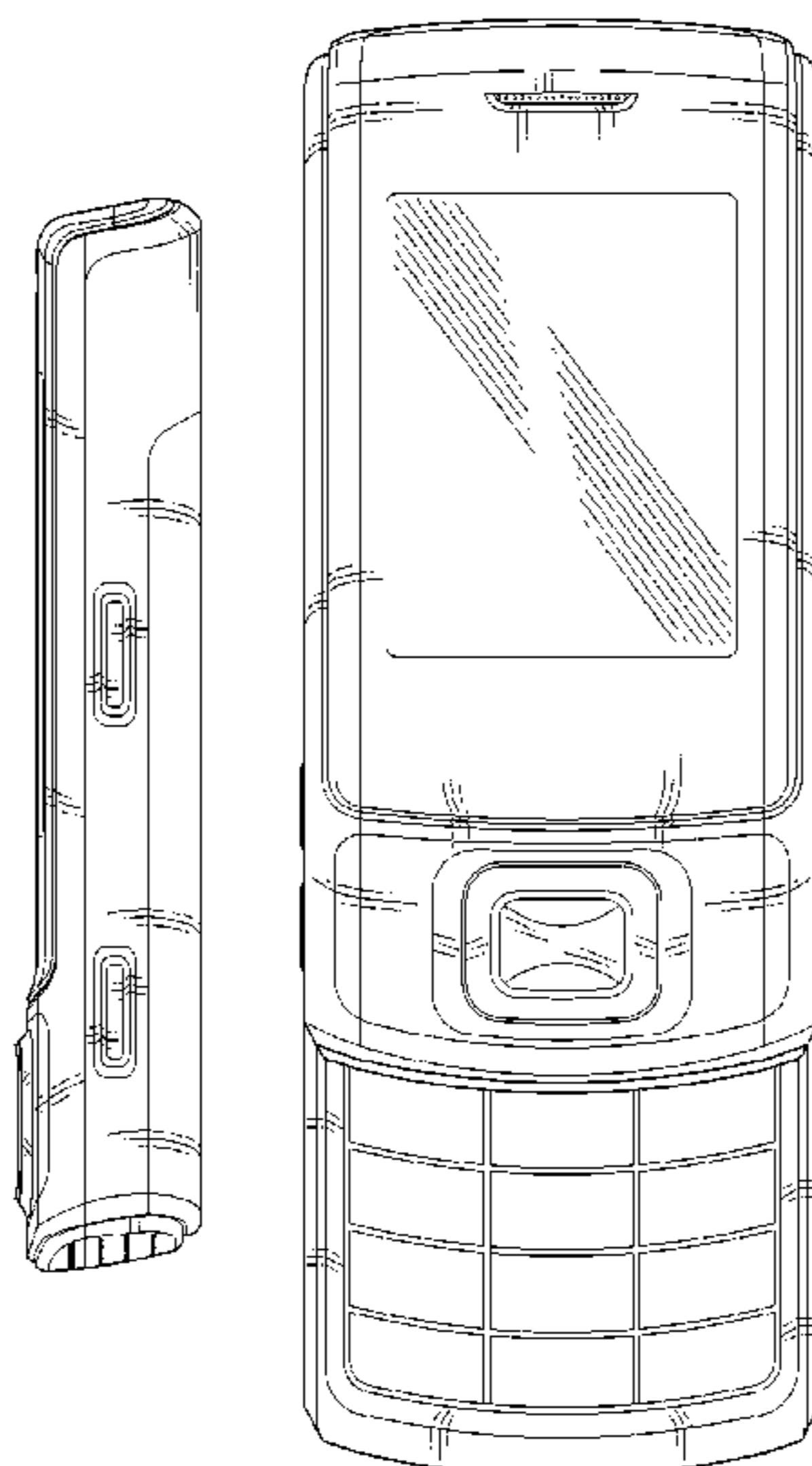
(57) **CLAIM**

The ornamental design for a mobile phone, as shown.

DESCRIPTION

FIG. 1 is a perspective view of a mobile phone;
FIG. 2 is a front view of the mobile phone of FIG. 1;
FIG. 3 is a rear view of the mobile phone of FIG. 1;
FIG. 4 is a left-side view of the mobile phone of FIG. 1;
FIG. 5 is a right-side view of the mobile phone of FIG. 1;
FIG. 6 is a top plan view of the mobile phone of FIG. 1;
FIG. 7 is a bottom plan view of the mobile phone of FIG. 1;
and,
FIG. 8 is a front open view of the mobile phone of FIG. 1.

1 Claim, 5 Drawing Sheets



U.S. PATENT DOCUMENTS

D594,838 S * 6/2009 Choi et al. D14/138 AD
D600,227 S * 9/2009 Ahn et al. D14/138 AD
D600,666 S * 9/2009 Chen D14/138 AD
D601,107 S * 9/2009 Kim et al. D14/138 AD
D601,109 S * 9/2009 Lee et al. D14/138 AD
D601,111 S * 9/2009 Sterzick et al. D14/138 AD
2005/0124381 A1* 6/2005 Kim et al. 455/556.1
2006/0046796 A1* 3/2006 Park et al. 455/575.4

OTHER PUBLICATIONS

Pantech PG-3900, announced 2nd quarter 2006, [online], [retrieved on Feb. 20, 2007]. Retrieved from Internet ,<URL: <http://www.gsmarena.com>>.*

Philips Xenium 9@9m, announced May 2007, [online], [retrieved on May 18, 2007]. Retrieved from Internet ,<URL: <http://www.gsmarena.com>>.*

Samsung S3500, announced Feb. 2009, [online], [retrieved on Feb. 20, 2009]. Retrieved from Internet ,<URL: <http://www.gsmarena.com>>.*

Samsung S7350 Ultra s, announced Feb. 2009, [online], [retrieved on Feb. 20, 2009]. Retrieved from Internet ,<URL: <http://www.gsmarena.com>>.*

Samsung S6700, announced Jun. 2009, [online], [retrieved on Jun. 23, 2009]. Retrieved from Internet ,<URL: <http://www.gsmarena.com>>.*

* cited by examiner

FIG. 1

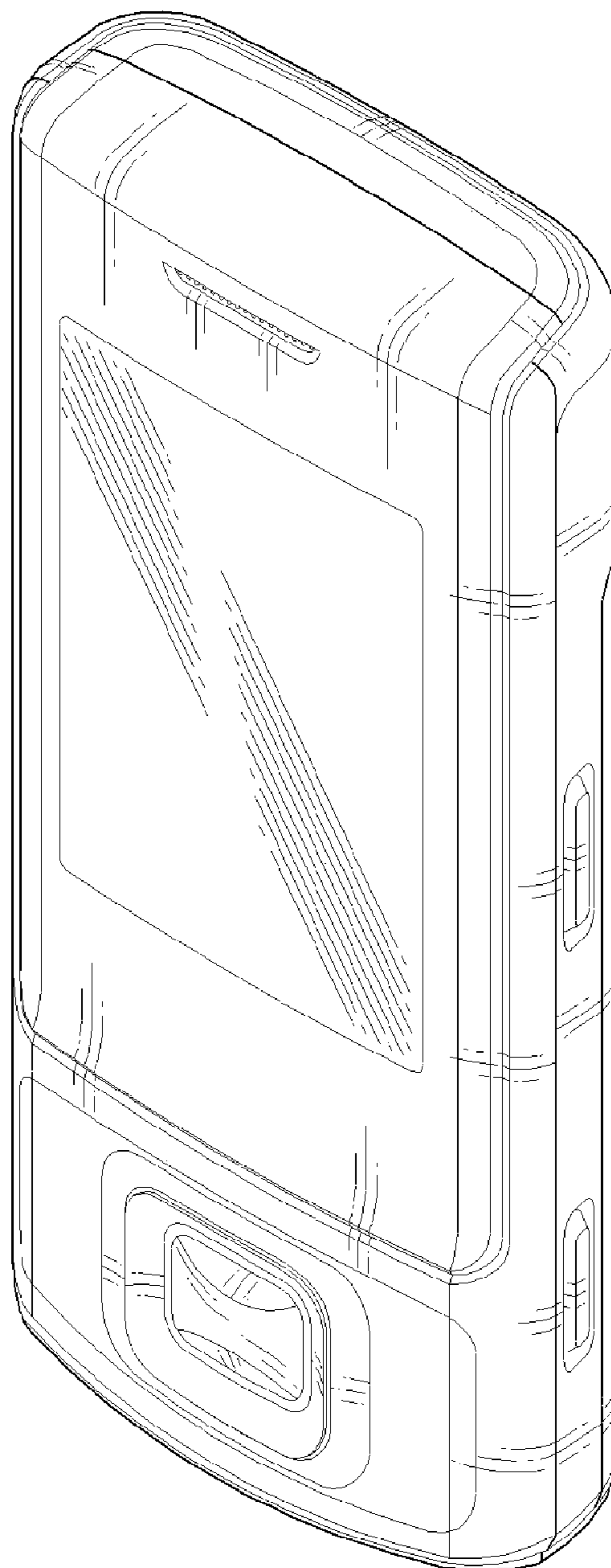


FIG. 2

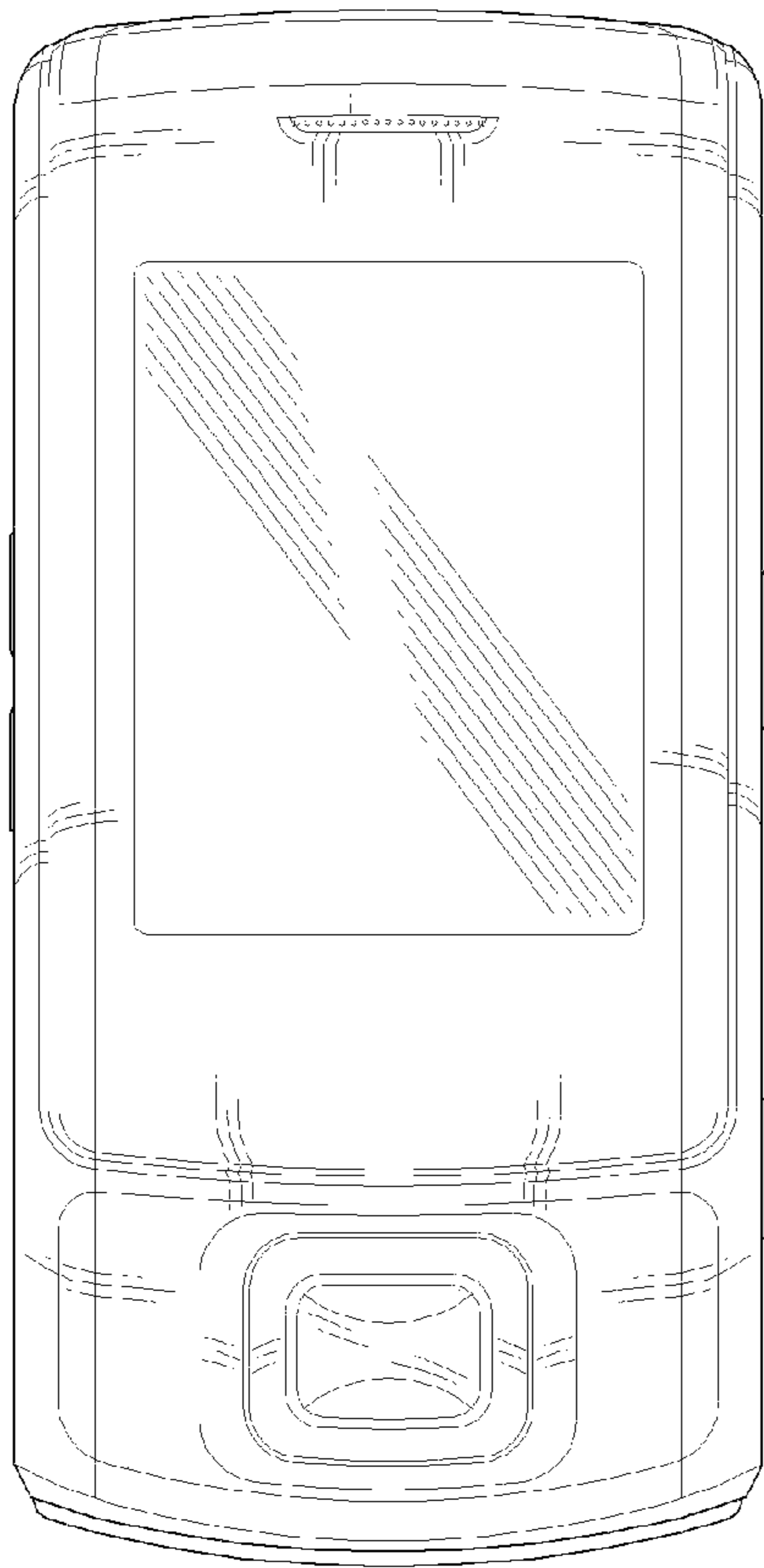


FIG. 3

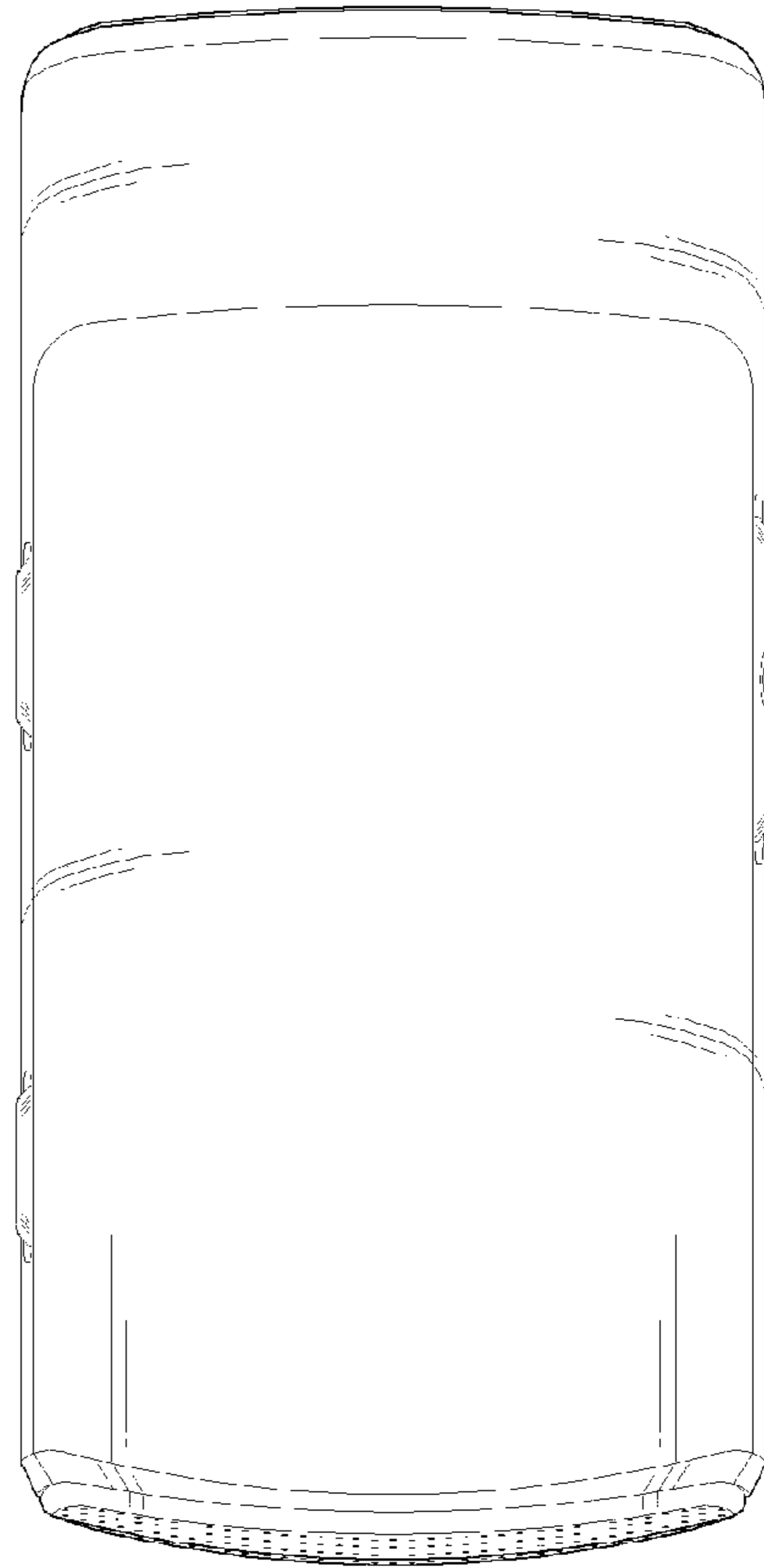


FIG. 4

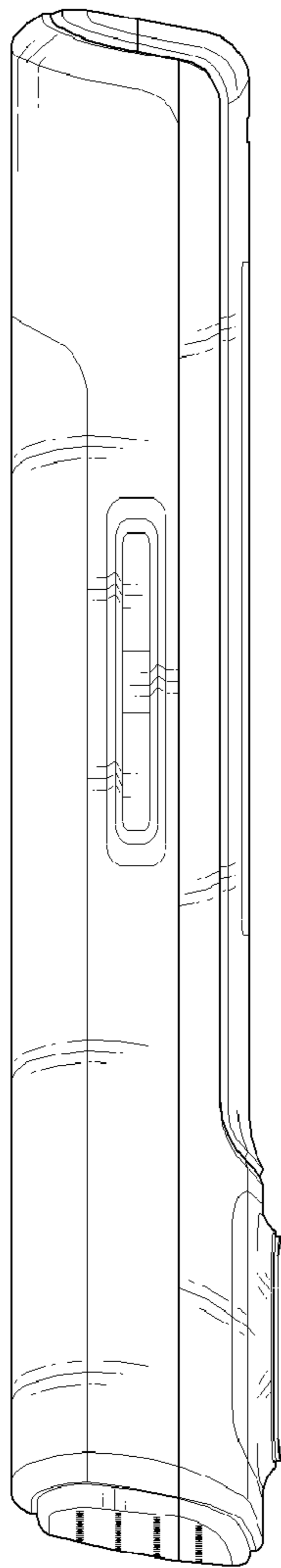


FIG. 5

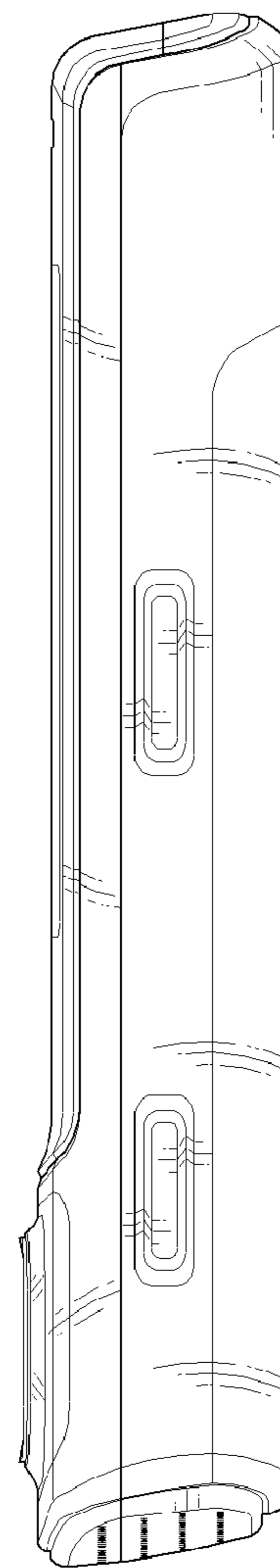


FIG. 6

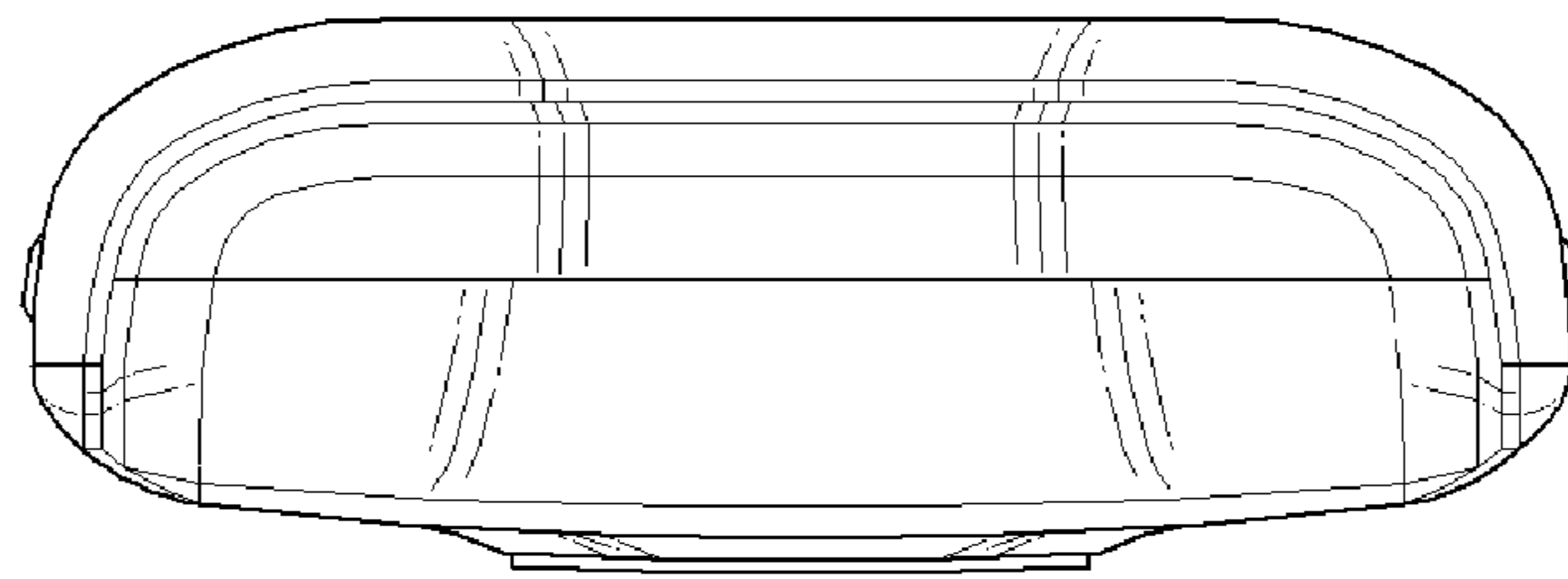


FIG. 7

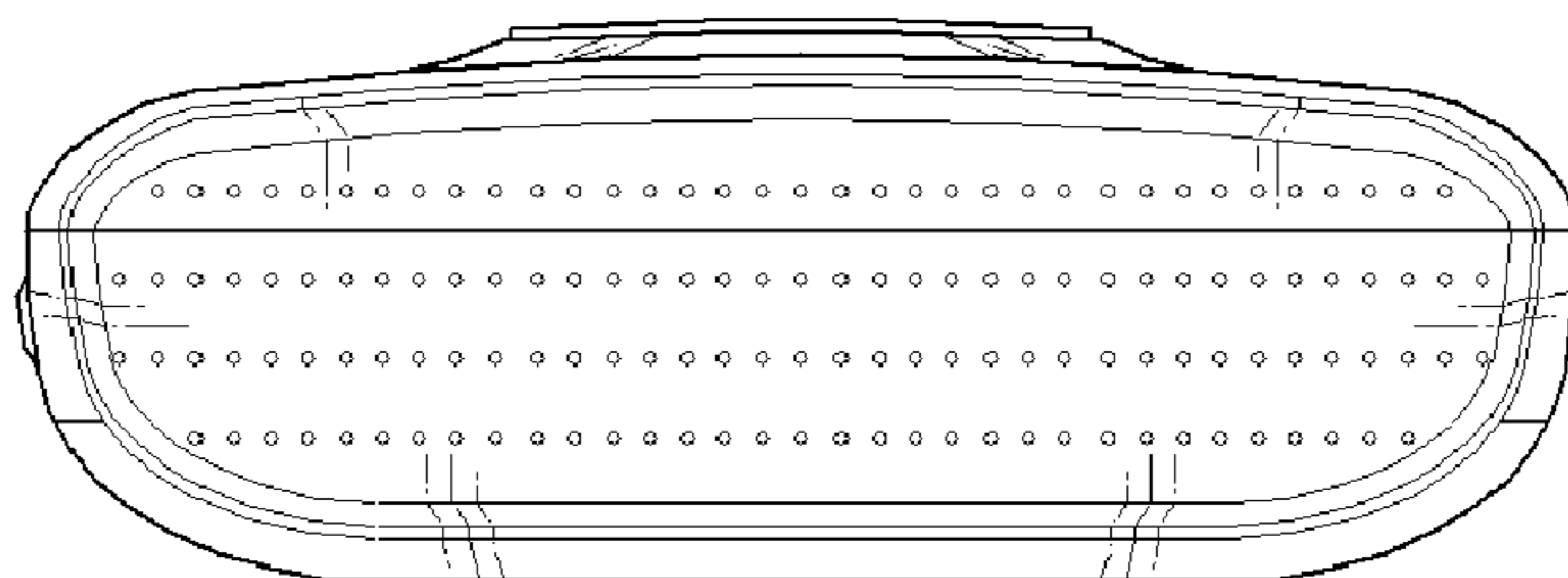


FIG. 8

