



US00D613719S

(12) **United States Design Patent**
Suk et al.

(10) **Patent No.:** **US D613,719 S**

(45) **Date of Patent:** **** Apr. 13, 2010**

(54) **MOBILE PHONE**

D562,289 S * 2/2008 Suk et al. D14/138 AD
D570,320 S * 6/2008 Lee et al. D14/138 AD

(75) Inventors: **Chang-Hoon Suk**, Seoul (KR);
Beom-Ku Han, Seoul (KR);
Chang-Hwan Hwang, Goyang-Si (KR)

(Continued)

(73) Assignee: **Samsung Electronics Co., Ltd.** (KR)

OTHER PUBLICATIONS

Asus P550, announced Dec. 2007, [online], [retrieved on Jan. 18, 2008]. Retrieved from Internet, <URL: <http://www.gsmarena.com>>.*

(**) Term: **14 Years**

(Continued)

(21) Appl. No.: **29/338,177**

Primary Examiner—Jeffrey D Asch
Assistant Examiner—Bridget L Eland
(74) *Attorney, Agent, or Firm*—NSIP Law

(22) Filed: **Jun. 5, 2009**

(30) **Foreign Application Priority Data**

Apr. 16, 2009 (KR) 30-2009-0016282

(57) **CLAIM**

The ornamental design for a mobile phone, as shown and described.

(51) **LOC (9) Cl.** **14-03**

(52) **U.S. Cl.** **D14/138 AD**

(58) **Field of Classification Search** D14/138 R,
D14/138 AD, 138 AC, 138 C, 138 G, 191,
D14/203.1–203.8, 496, 138 AA, 138 AB,
D14/247–248, 137, 147, 218, 341–347; D10/65,
D10/78, 104; D13/168; D18/7; 455/566,
455/575.1, 575.3

See application file for complete search history.

DESCRIPTION

FIG. 1 is a perspective view of a mobile phone;
FIG. 2 is a front view of the mobile phone of FIG. 1;
FIG. 3 is a rear view of the mobile phone of FIG. 1;
FIG. 4 is a left-side view of the mobile phone of FIG. 1;
FIG. 5 is a right-side view of the mobile phone of FIG. 1;
FIG. 6 is a top plan view of the mobile phone of FIG. 1;
FIG. 7 is a bottom plan view of the mobile phone of FIG. 1;
and,
FIG. 8 is a front open view of the mobile phone of FIG. 1.

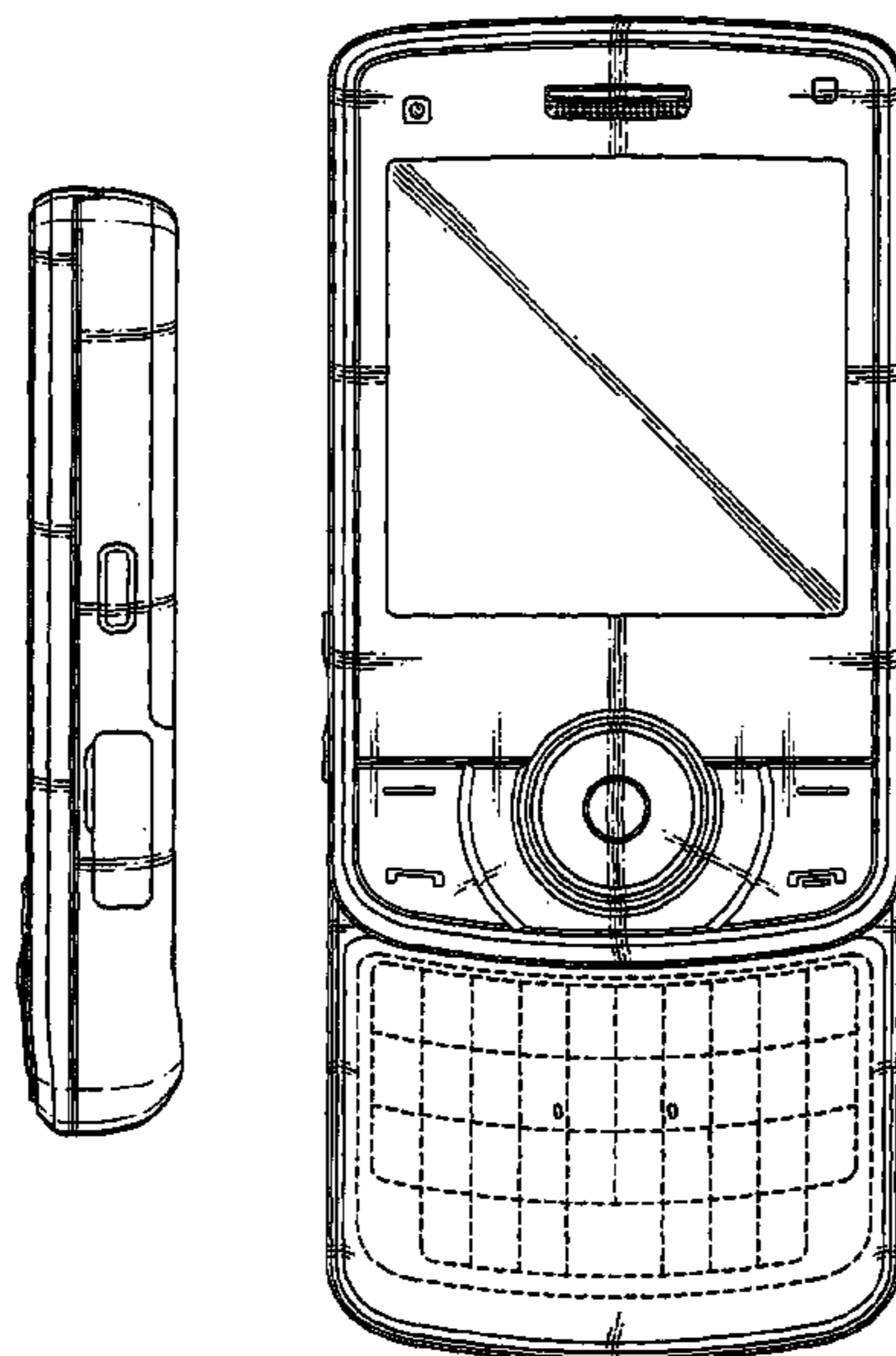
The broken lines immediately adjacent the shaded areas represent the bounds of the claimed design while all other broken lines are directed to environment and are for illustrative purposes only; the broken lines form no part of the claimed design.

(56) **References Cited**

U.S. PATENT DOCUMENTS

D526,300 S * 8/2006 Lee D14/138 AD
D527,000 S * 8/2006 Hong et al. D14/346
D529,465 S * 10/2006 Kim et al. D14/138 AD
D543,966 S * 6/2007 Peng et al. D14/138 AD
D545,289 S * 6/2007 Wang D14/138 AD
D545,290 S * 6/2007 Yau D14/138 AD
D547,296 S * 7/2007 Lin D14/138 AD
D555,128 S * 11/2007 Jen D14/138 AD
D557,671 S * 12/2007 Kim et al. D14/138 AD
D558,725 S * 1/2008 Wang D14/138 AD

1 Claim, 6 Drawing Sheets



US D613,719 S

Page 2

U.S. PATENT DOCUMENTS

D572,685 S * 7/2008 Peng D14/138 G
D572,695 S * 7/2008 Tu D14/138 AD
D588,084 S * 3/2009 Griffin et al. D14/138 AD
D598,878 S * 8/2009 Griffin et al. D14/138 AD
D601,532 S * 10/2009 Park et al. D14/138 AD
D601,995 S * 10/2009 Shimada D14/138 AD
D603,822 S * 11/2009 Ho et al. D14/138 AD
2002/0155857 A1* 10/2002 Nishimoto 455/550
2004/0204202 A1* 10/2004 Shimamura et al. 455/575.1
2006/0154619 A1* 7/2006 Bae et al. 455/90.3

2008/0032637 A1* 2/2008 Ladouceur et al. 455/90.3

OTHER PUBLICATIONS

HTC P3350, announced Feb. 2007, [online], [retrieved on Feb. 20, 2007]. Retrieved from Internet, <URL: <http://www.gsmarena.com>>.*

HTC Touch Cruise 09, announced Jan. 2009, [online], [retrieved on Jan. 23, 2009]. Retrieved from Internet, <URL: <http://www.gsmarena.com>>.*

O2 XDA Orbit II, announced Nov. 2007, [online], [retrieved on Dec. 13, 2007]. Retrieved from Internet, <URL: <http://www.gsmarena.com>>.*

* cited by examiner

FIG. 1

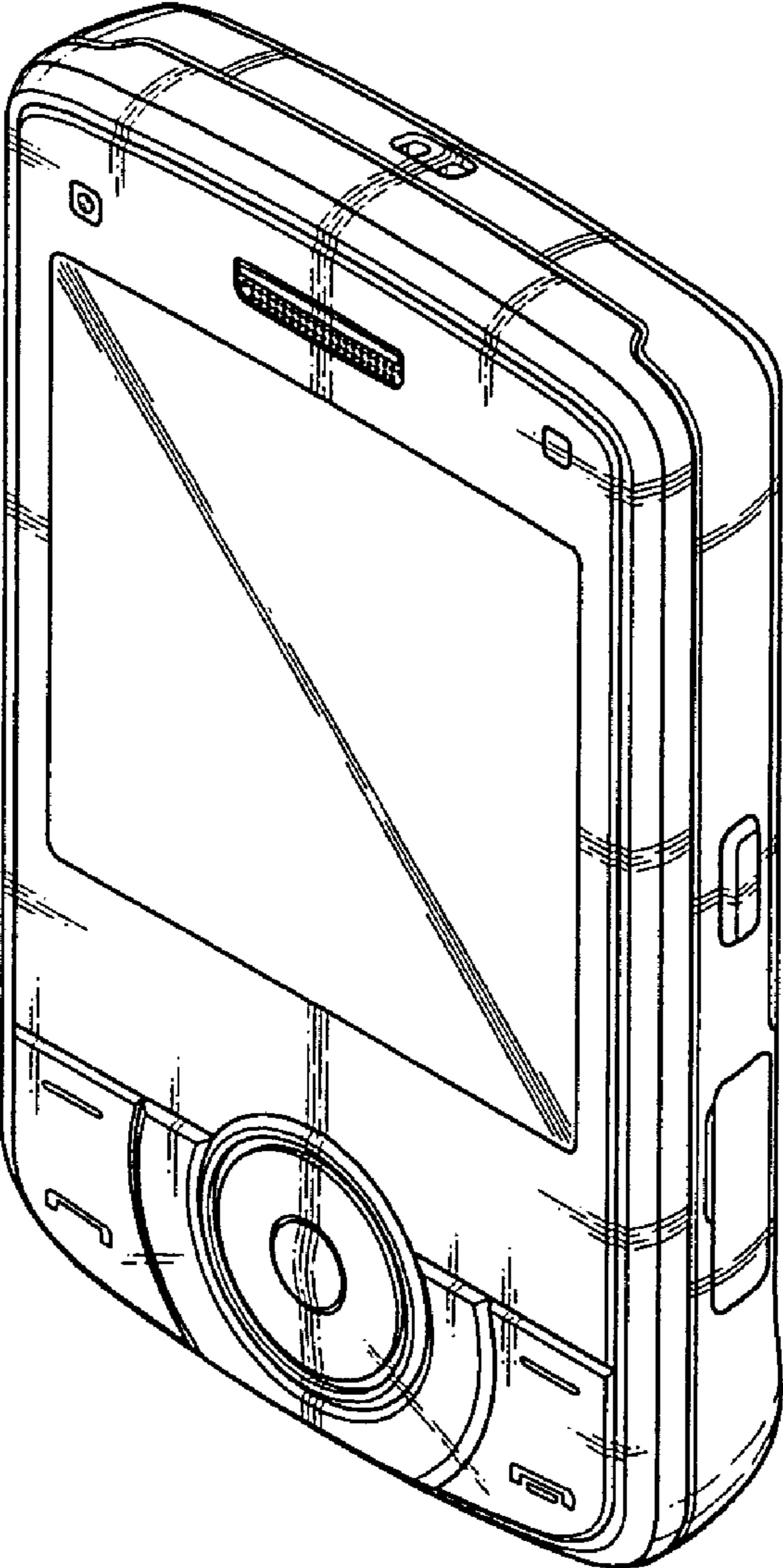


FIG. 2

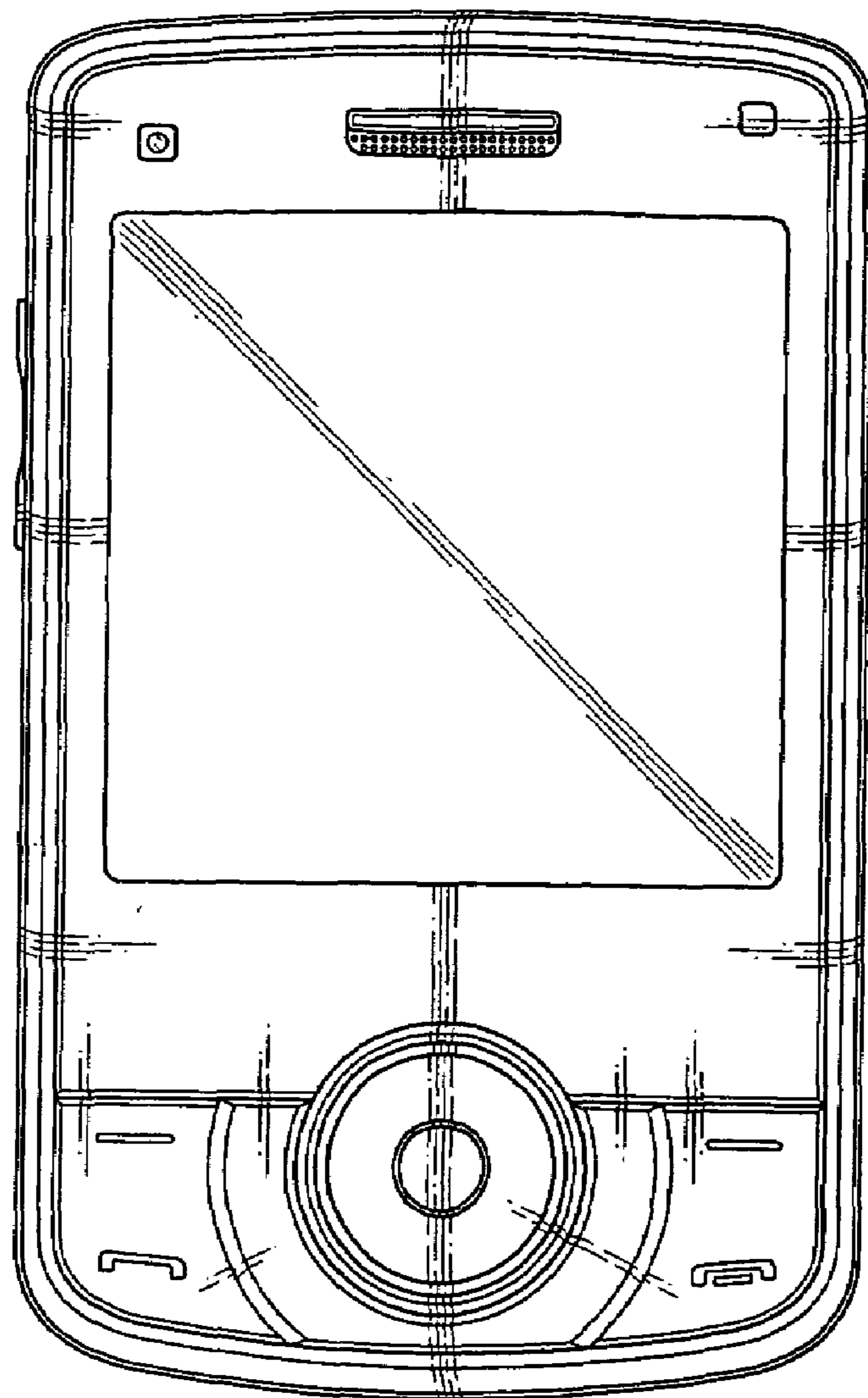


FIG. 3

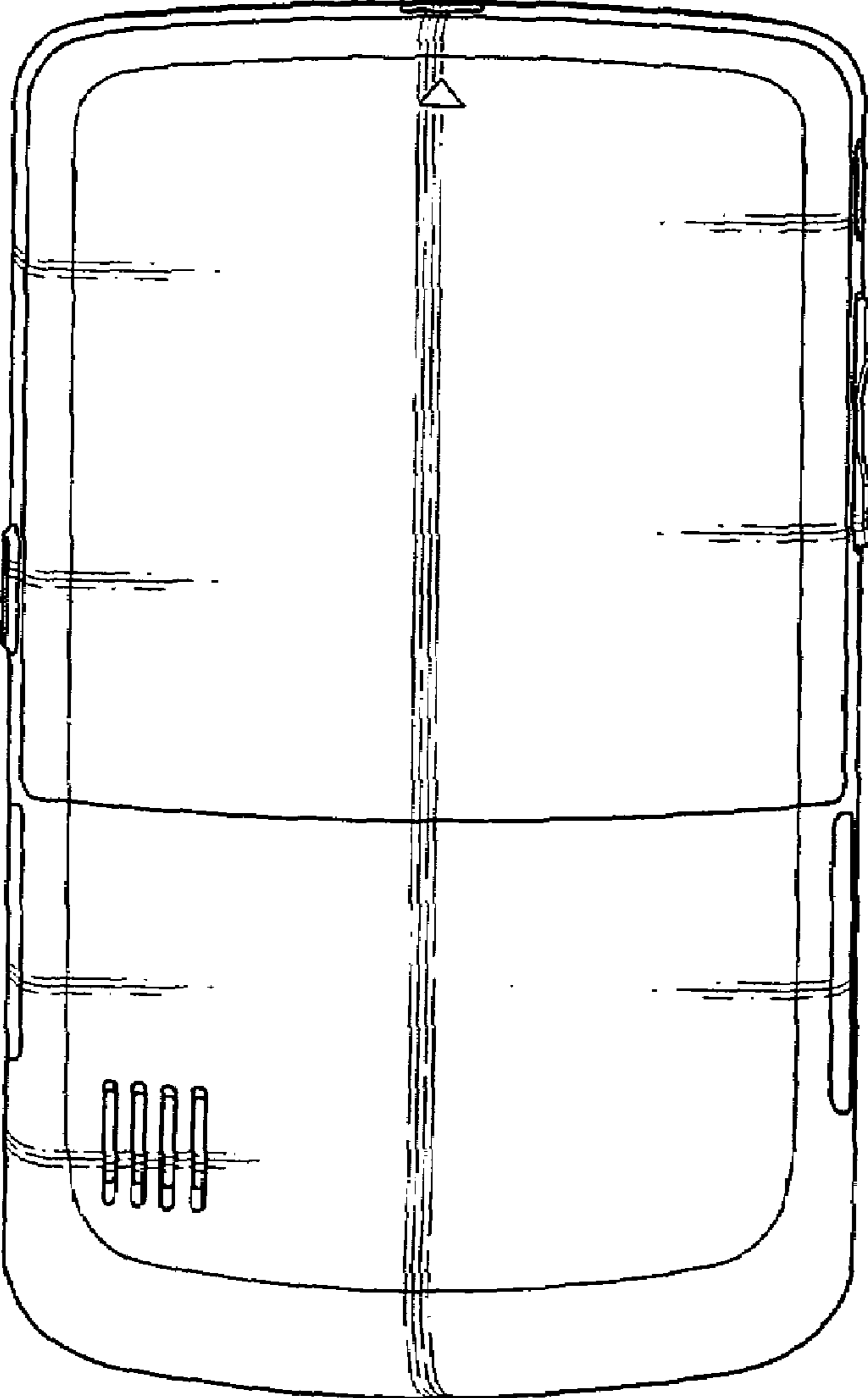


FIG. 4

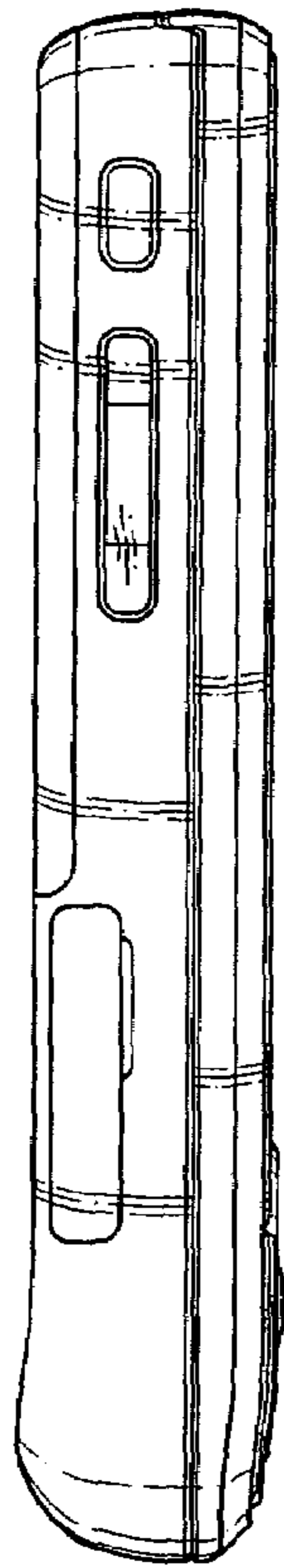


FIG. 5

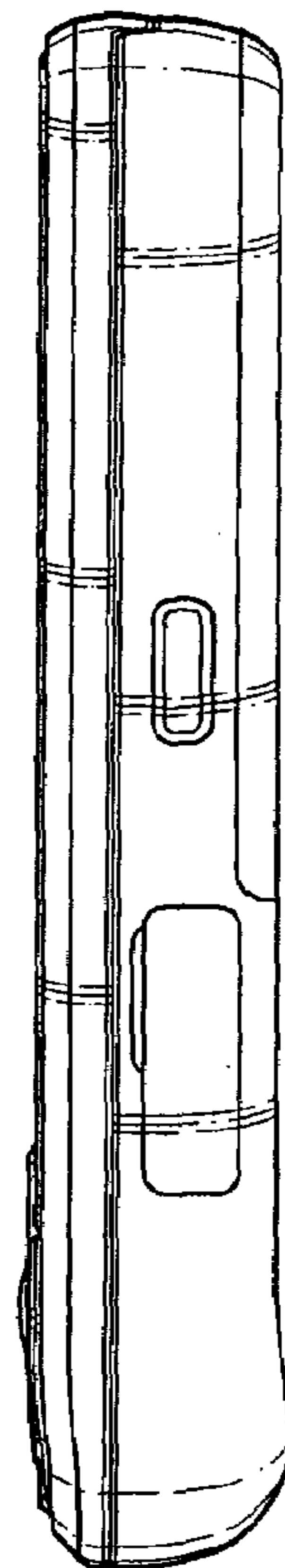


FIG. 6

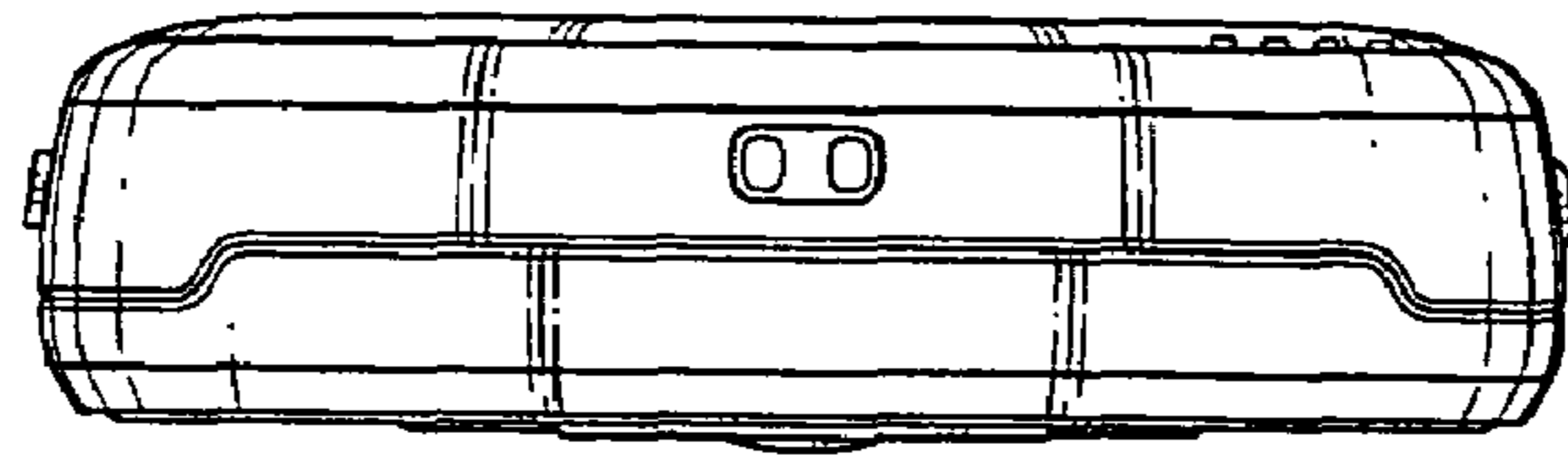


FIG. 7

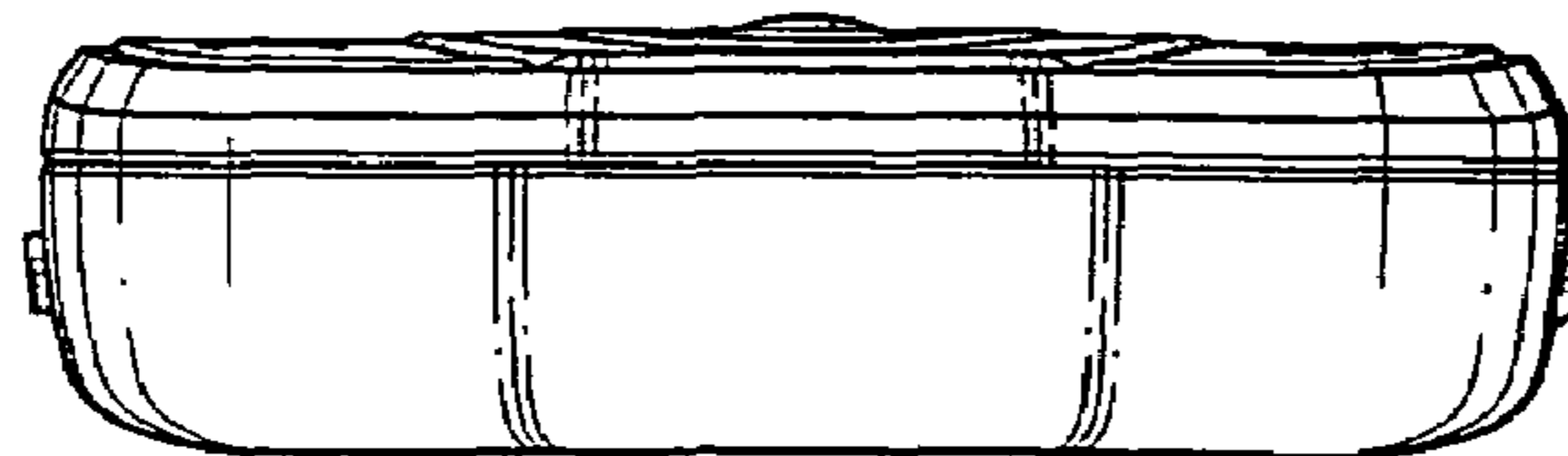


FIG. 8

