



US00D613717S

(12) **United States Design Patent**
Lee et al.

(10) **Patent No.:** **US D613,717 S**
(45) **Date of Patent:** **** Apr. 13, 2010**

(54) **MOBILE PHONE**

(75) Inventors: **Ji-Young Lee**, Seoul (KR); **Sang-Min Hyun**, Seoul (KR); **Seog-Guen Kim**, Seoul (KR)

(73) Assignee: **Samsung Electronics Co., Ltd.** (KR)

(**) Term: **14 Years**

(21) Appl. No.: **29/338,146**

(22) Filed: **Jun. 5, 2009**

(30) **Foreign Application Priority Data**

Apr. 16, 2009 (KR) 30-2009-0016320

(51) **LOC (9) Cl.** **14-03**

(52) **U.S. Cl.** **D14/138 AD**

(58) **Field of Classification Search** D14/138 R,
D14/138 AD, 138 AC, 138 C, 138 G, 191,
D14/203.1–203.8, 496, 138 AA, 138 AB,
D14/247–248, 137, 147, 218, 341–347; D10/65,
D10/78, 104; D13/168; D18/7; 455/566,
455/575.1, 575.3

See application file for complete search history.

(56) **References Cited**

U.S. PATENT DOCUMENTS

D503,699 S *	4/2005	Lee et al.	D14/138 AD
D508,473 S *	8/2005	Lee et al.	D14/138 AD
D509,202 S *	9/2005	Lee et al.	D14/138 AD
D531,610 S *	11/2006	Kim et al.	D14/138 AD
D548,715 S *	8/2007	Lee et al.	D14/138 AD
D563,353 S *	3/2008	Lee et al.	D14/138 AD
D563,369 S *	3/2008	Kim et al.	D14/138 AD
D565,016 S *	3/2008	Kwon et al.	D14/138 AD
D576,595 S *	9/2008	Han et al.	D14/138 AD
D577,349 S *	9/2008	Choi et al.	D14/138 AD
D580,929 S *	11/2008	Kao et al.	D14/346
D590,799 S *	4/2009	Laine	D14/138 AD
D591,714 S *	5/2009	Kim et al.	D14/138 AD
D592,172 S *	5/2009	Chen	D14/138 AD

D594,837 S *	6/2009	Choi et al.	D14/138 AD
D594,838 S *	6/2009	Choi et al.	D14/138 AD
D596,601 S *	7/2009	Park et al.	D14/138 AD
D600,226 S *	9/2009	Ahn et al.	D14/138 AD
D601,107 S *	9/2009	Kim et al.	D14/138 AD

(Continued)

OTHER PUBLICATIONS

InnoStream INNO P10, announced Jun. 2005, [online], [retrieved on Feb. 20, 2007]. Retrieved from Internet ,<URL: http://www.gsmarena.com>.*

(Continued)

Primary Examiner—Jeffrey D Asch
Assistant Examiner—Bridget L Eland
(74) *Attorney, Agent, or Firm*—NSIP Law

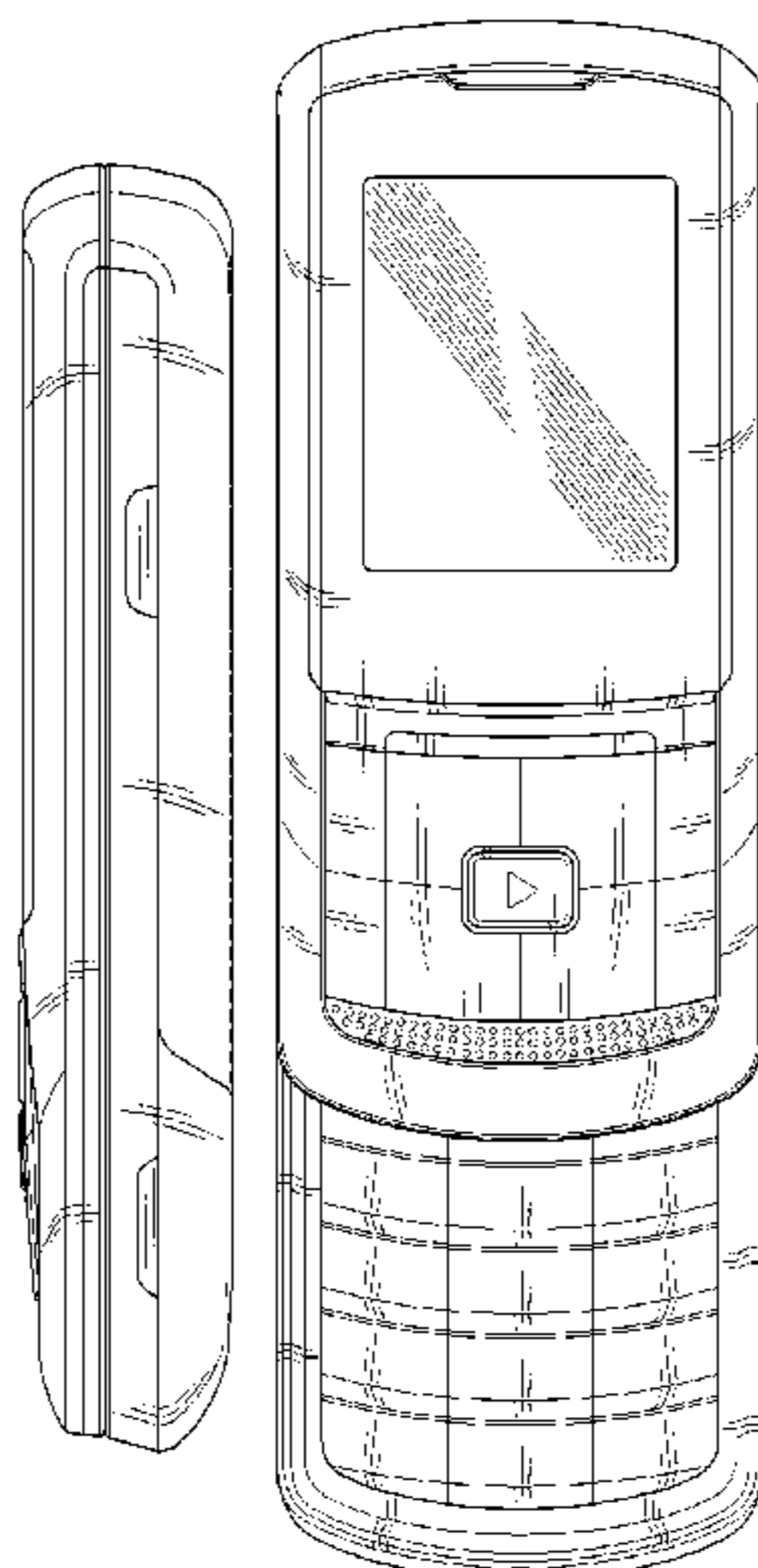
(57) **CLAIM**

The ornamental design for a mobile phone, as shown.

DESCRIPTION

FIG. 1 is a perspective view of a mobile phone;
FIG. 2 is a front view of the mobile phone of FIG. 1;
FIG. 3 is a rear view of the mobile phone of FIG. 1;
FIG. 4 is a left-side view of the mobile phone of FIG. 1;
FIG. 5 is a right-side view of the mobile phone of FIG. 1;
FIG. 6 is a top plan view of the mobile phone of FIG. 1;
FIG. 7 is a bottom plan view of the mobile phone of FIG. 1;
and,
FIG. 8 is a front open view of the mobile phone of FIG. 1.

1 Claim, 5 Drawing Sheets



US D613,717 S

Page 2

U.S. PATENT DOCUMENTS

D601,109 S * 9/2009 Lee et al. D14/138 AD
D601,111 S * 9/2009 Sterzick et al. D14/138 AD
D602,895 S * 10/2009 Chun D14/138 AD
2005/0124381 A1* 6/2005 Kim et al. 455/556.1
2006/0046796 A1* 3/2006 Park et al. 455/575.4
2006/0111161 A1* 5/2006 Cha et al. 455/575.4
2008/0207188 A1* 8/2008 Ahn et al. 455/418

OTHER PUBLICATIONS

LG KU380, announced Nov. 2007, [online], [retrieved on Jan. 18, 2008]. Retrieved from Internet ,<URL: <http://www.gsmarena.com>>.*

Motorola ZN300, announced Mar. 2009, [online], [retrieved on Mar. 6, 2009]. Retrieved from Internet ,<URL: <http://www.gsmarena.com>>.*

Pantech PG-3900, announced 2nd quarter 2006, [online], [retrieved on Feb. 20, 2007]. Retrieved from Internet ,<URL: <http://www.gsmarena.com>>.*

Samsung U900 Soul, announced Feb. 2008, [online], [retrieved on Mar. 21, 2008]. Retrieved from Internet ,<URL: <http://www.gsmarena.com>>.*

Samsung M620, announced Apr. 2008, [online], [retrieved on May 14, 2008]. Retrieved from Internet ,<URL: <http://www.gsmarena.com>>.*

Samsung C5510, announced Jun. 2009, [online], [retrieved on Jun. 23, 2009]. Retrieved from Internet ,<URL: <http://www.gsmarena.com>>.*

* cited by examiner

FIG. 1

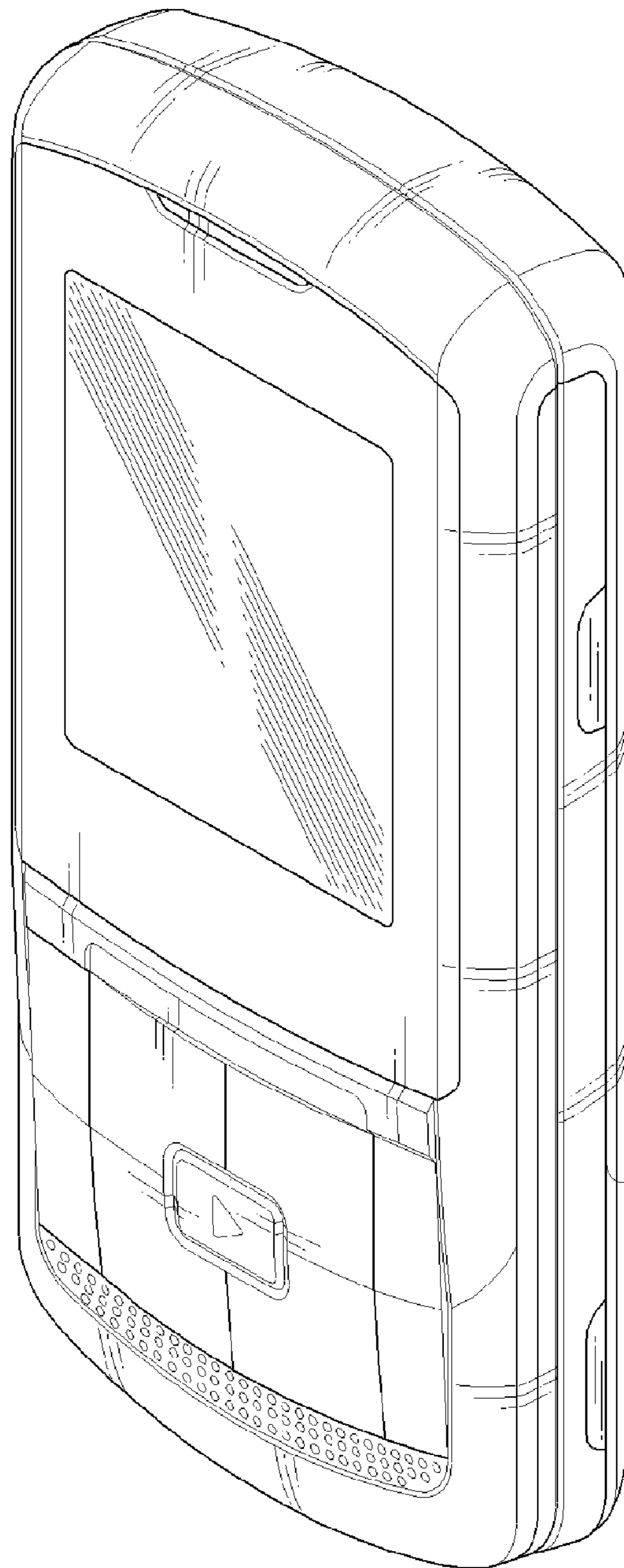


FIG. 2

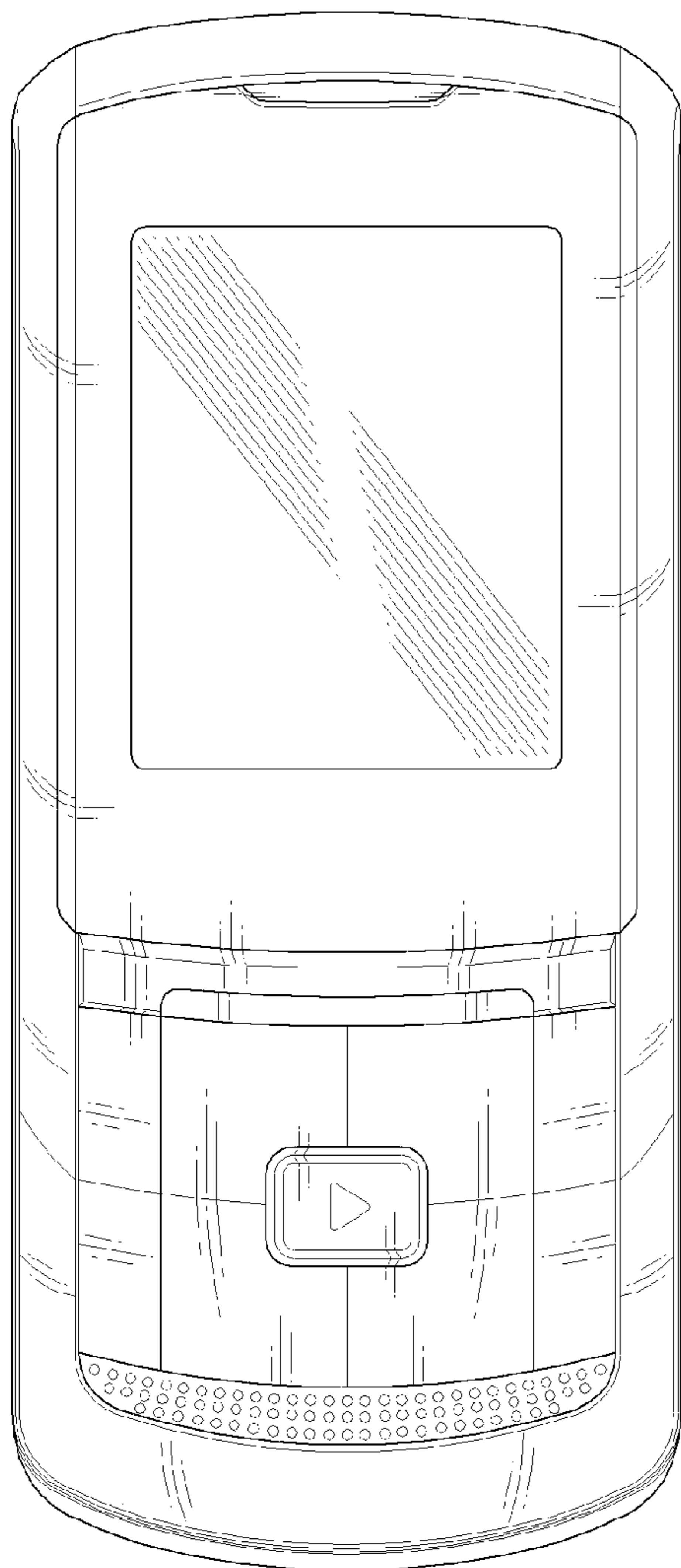


FIG. 3

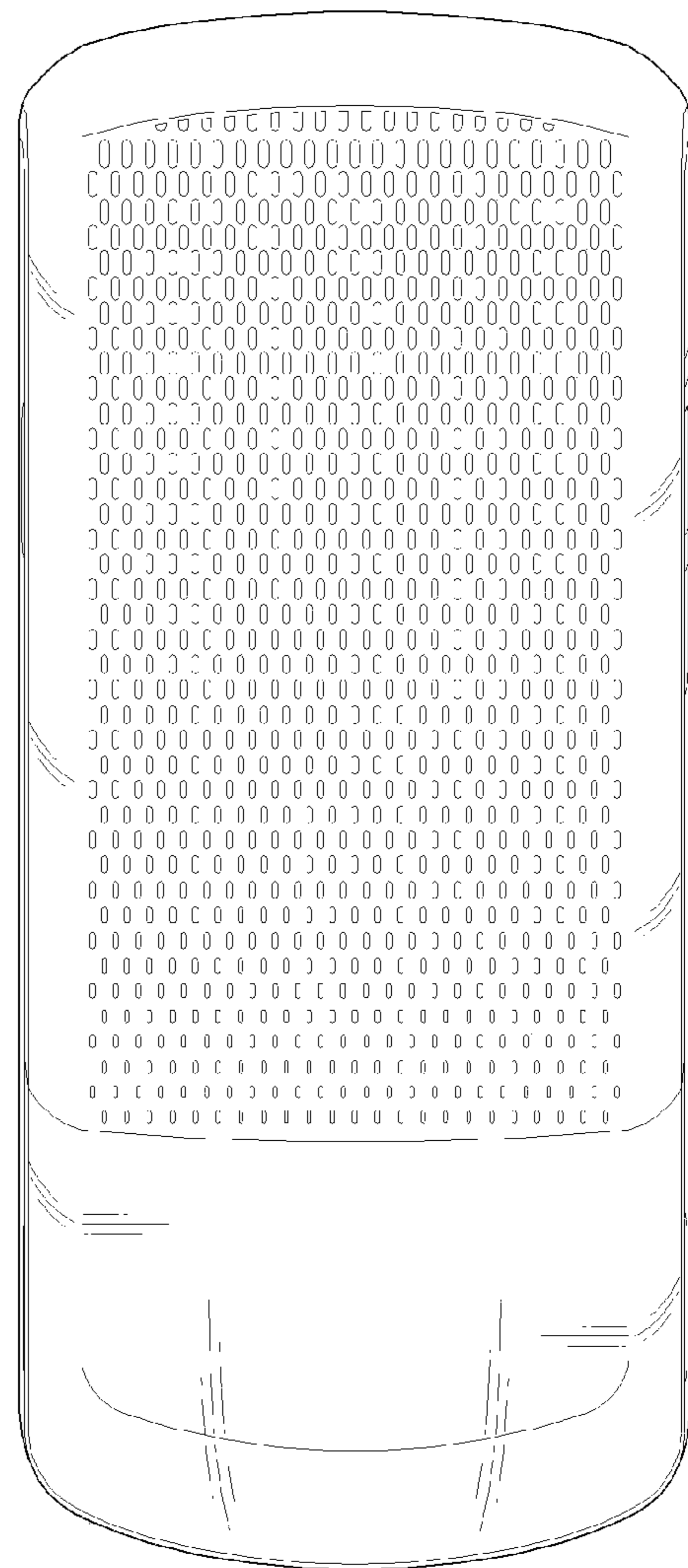


FIG. 4

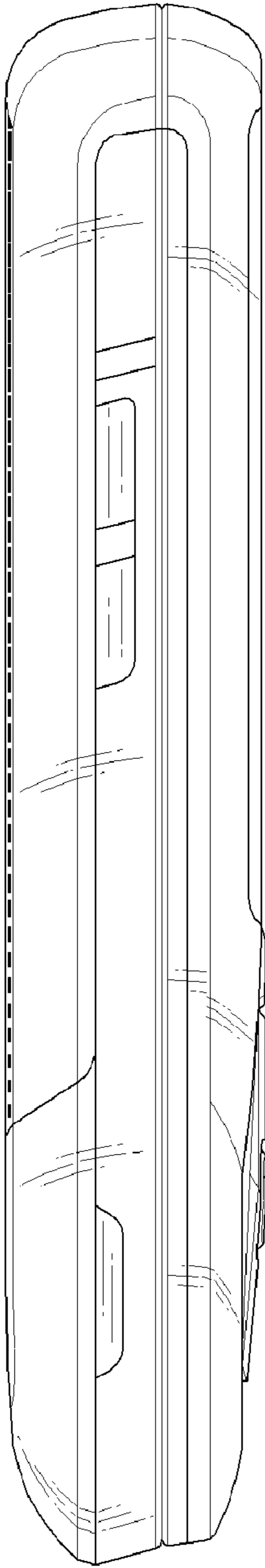


FIG. 5

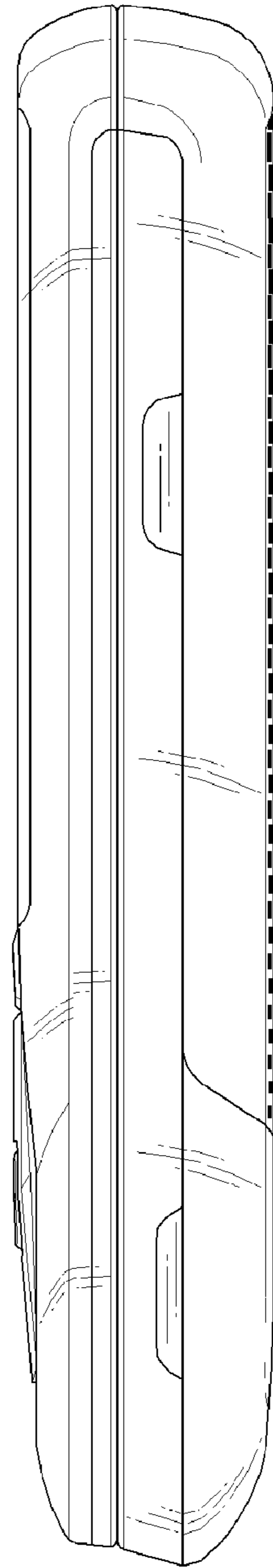


FIG. 6

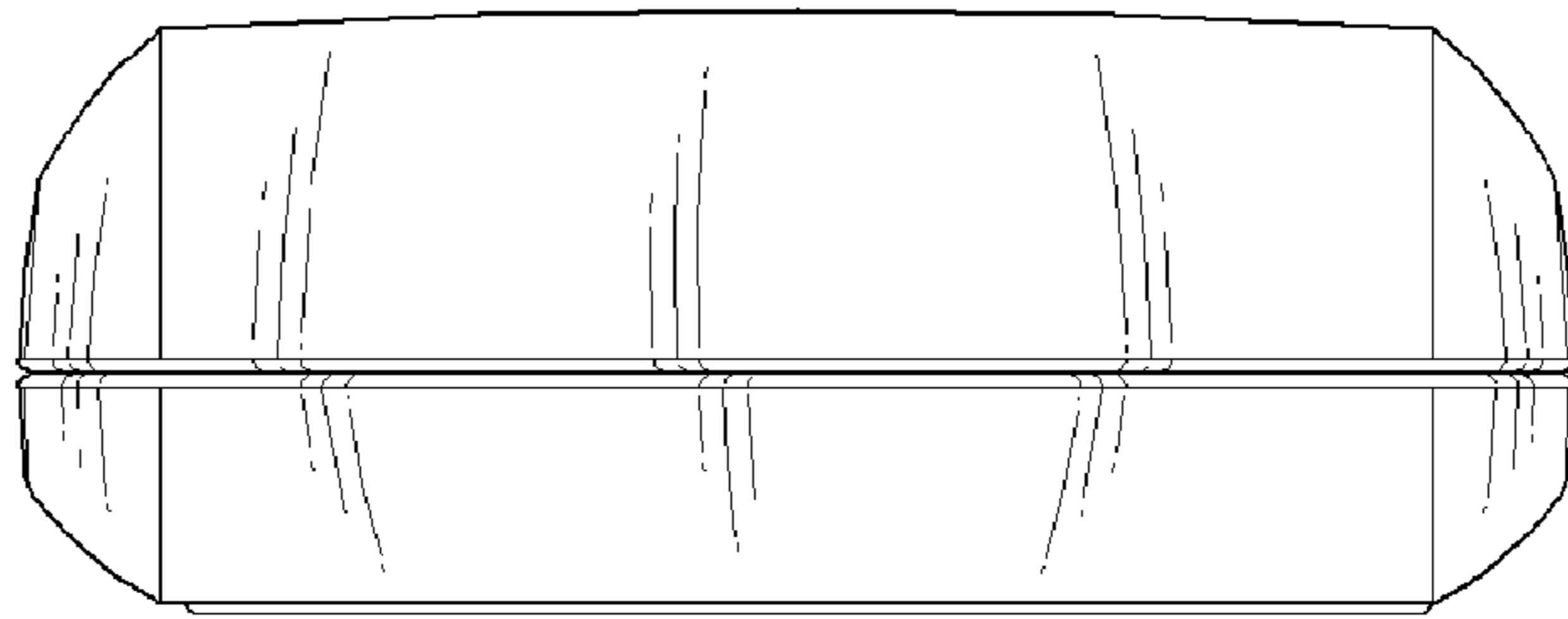


FIG. 7

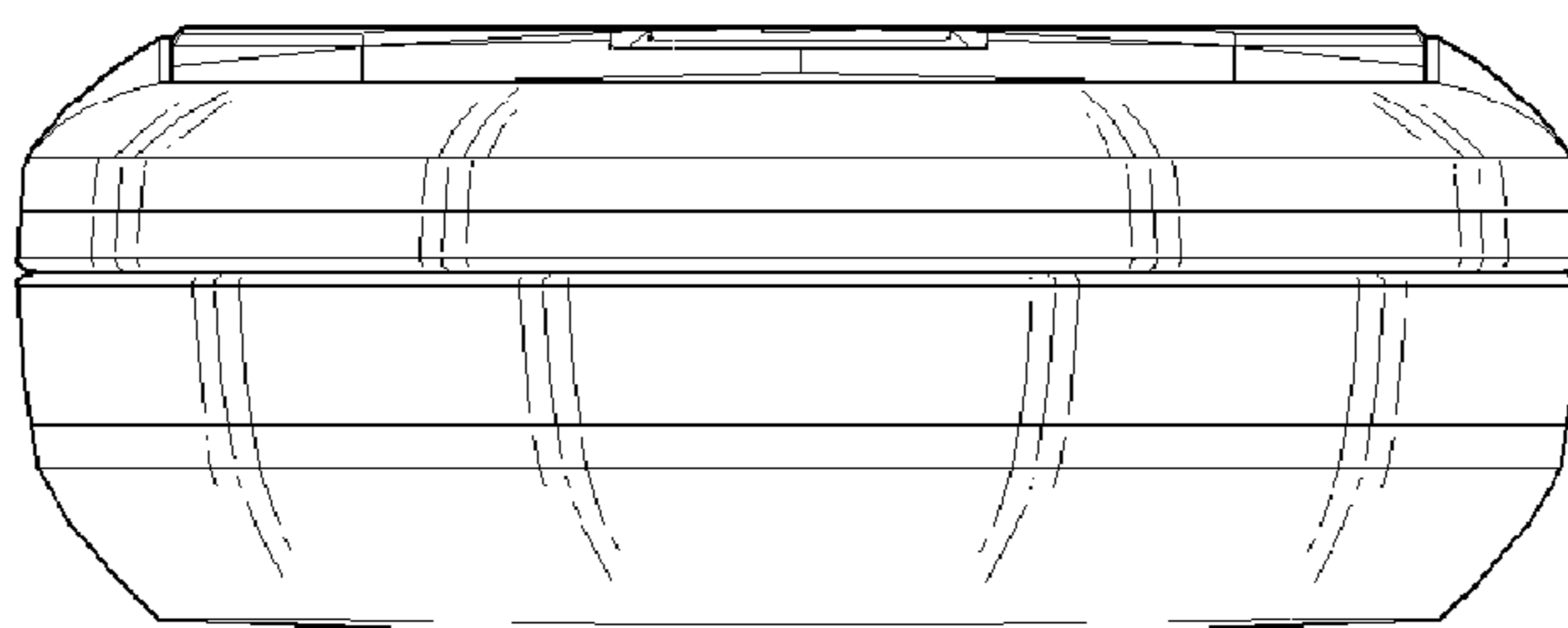


FIG. 8

