



US00D613716S

(12) **United States Design Patent**
Liu

(10) **Patent No.:** **US D613,716 S**
(45) **Date of Patent:** **** Apr. 13, 2010**

(54) **MOBILE PHONE**

(75) Inventor: **Tzu-Yuan Liu**, Taipei County (TW)

(73) Assignee: **Chi Mei Communication Systems, Inc.**, Tu-Cheng, Taipei County (TW)

(**) Term: **14 Years**

(21) Appl. No.: **29/338,082**

(22) Filed: **Jun. 4, 2009**

(30) **Foreign Application Priority Data**

Mar. 13, 2009 (CN) 2009 3 0301300

(51) **LOC (9) Cl.** **14-03**

(52) **U.S. Cl.** **D14/138 G; D14/138 R**

(58) **Field of Classification Search** D14/138 R,
D14/138 AD, 138 AC, 138 C, 138 G, 191,
D14/203.1–203.8, 496, 138 AA, 138 AB,
D14/247–248, 137, 147, 218, 341–347; D10/65,
D10/78, 104; D13/168; D18/7; 455/566,
455/575.1, 575.3; D6/300, 308, 310, 314
See application file for complete search history.

(56) **References Cited**

U.S. PATENT DOCUMENTS

D396,562 S * 8/1998 Kenney D6/314
6,928,300 B1 * 8/2005 Skinner et al. 455/556.2
D552,580 S * 10/2007 Mun D14/138 AD
D563,933 S * 3/2008 Lee et al. D14/138 AB

D585,044 S * 1/2009 Seo et al. D14/138 AD
D596,608 S * 7/2009 Kim et al. D14/138 G
D601,988 S * 10/2009 Bang et al. D14/138 G
2008/0132284 A1 * 6/2008 Ryu et al. 455/566

* cited by examiner

Primary Examiner—Jeffrey D Asch
Assistant Examiner—Bridget L Eland
(74) *Attorney, Agent, or Firm*—Steven M. Reiss

(57) **CLAIM**

The ornamental design for a mobile phone, as shown and described.

DESCRIPTION

FIG. 1 is a perspective view of a mobile phone showing our new design;

FIG. 2 is a front elevational view thereof;

FIG. 3 is a rear elevational view thereof;

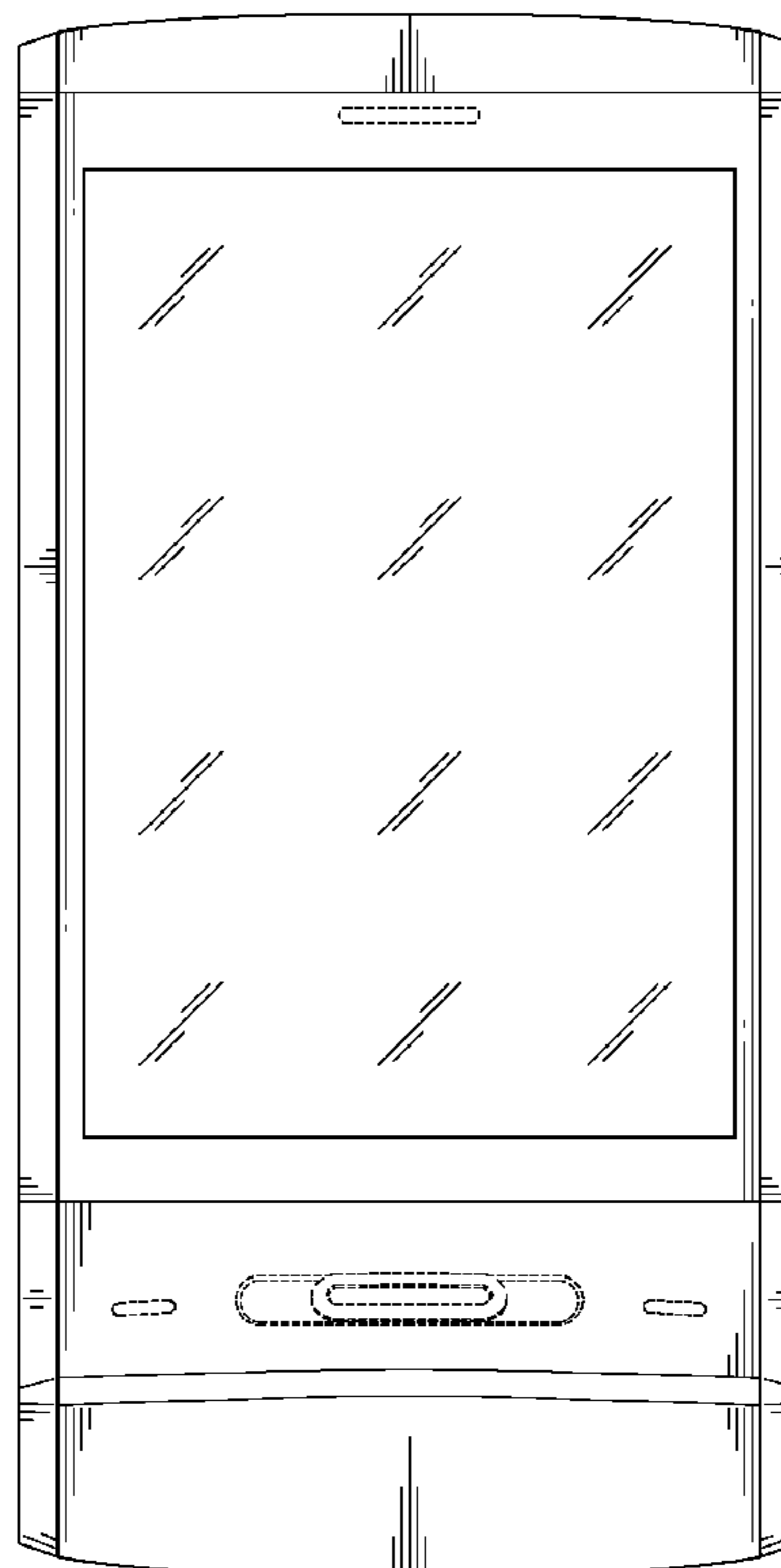
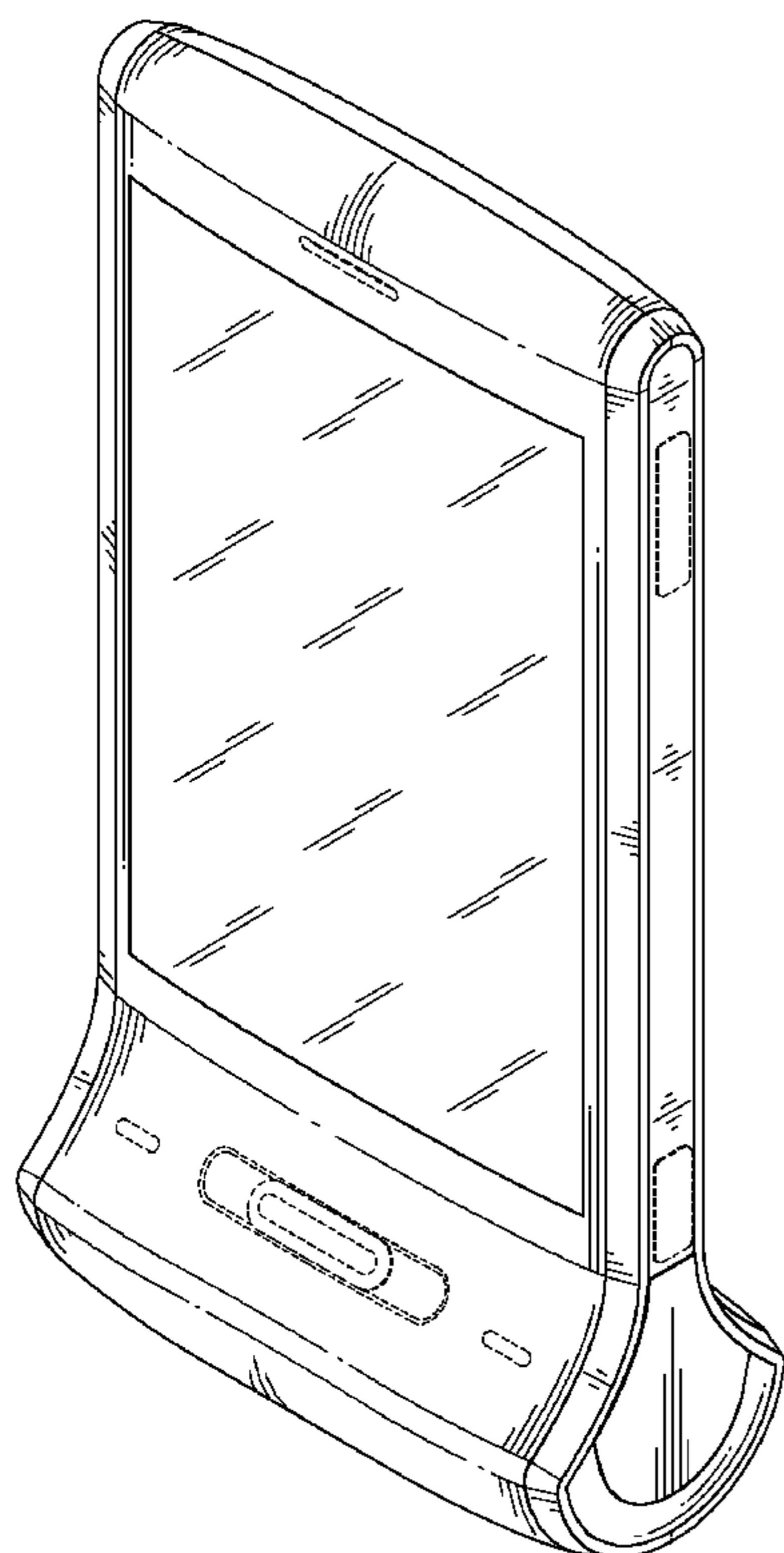
FIG. 4 is a left side elevational view thereof;

FIG. 5 is a right side elevational view thereof; and,

FIG. 6 is a top plan view thereof.

The broken lines immediately adjacent the shaded areas represent the bounds of the claimed design while all other broken lines are directed to environment and are for illustrative purposes only; the broken lines form no part of the claimed design.

1 Claim, 6 Drawing Sheets



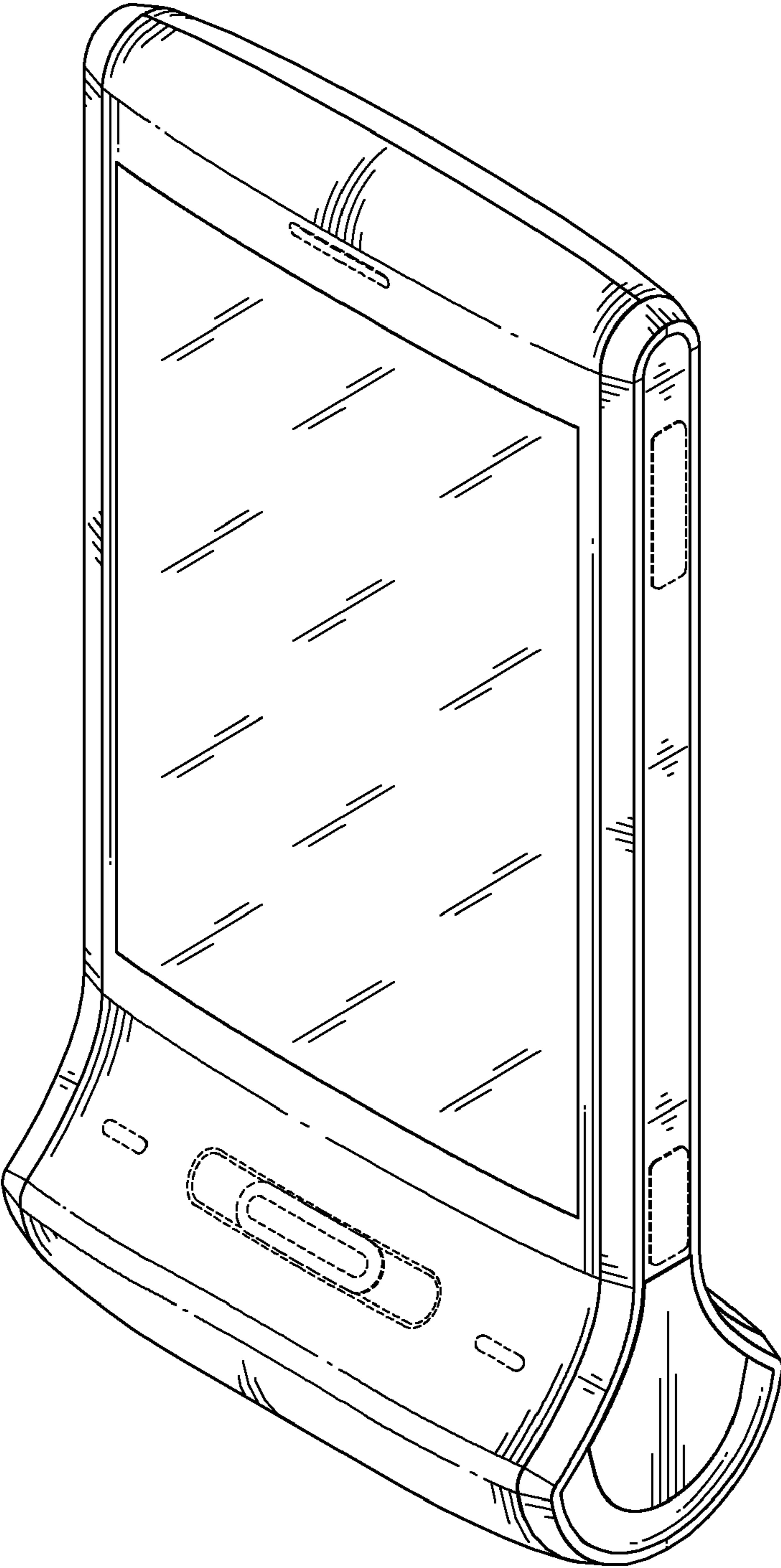


FIG. 1

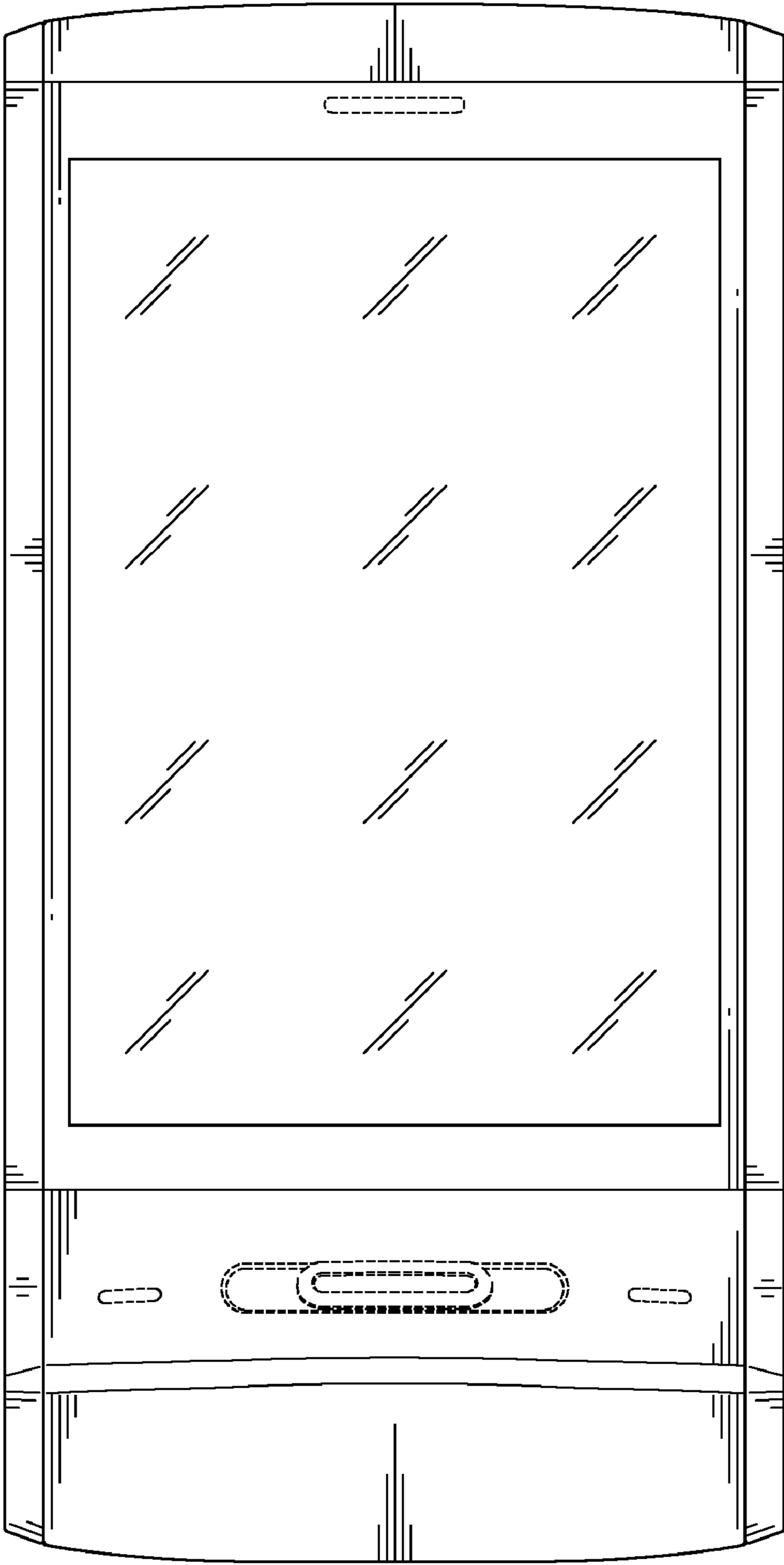


FIG. 2

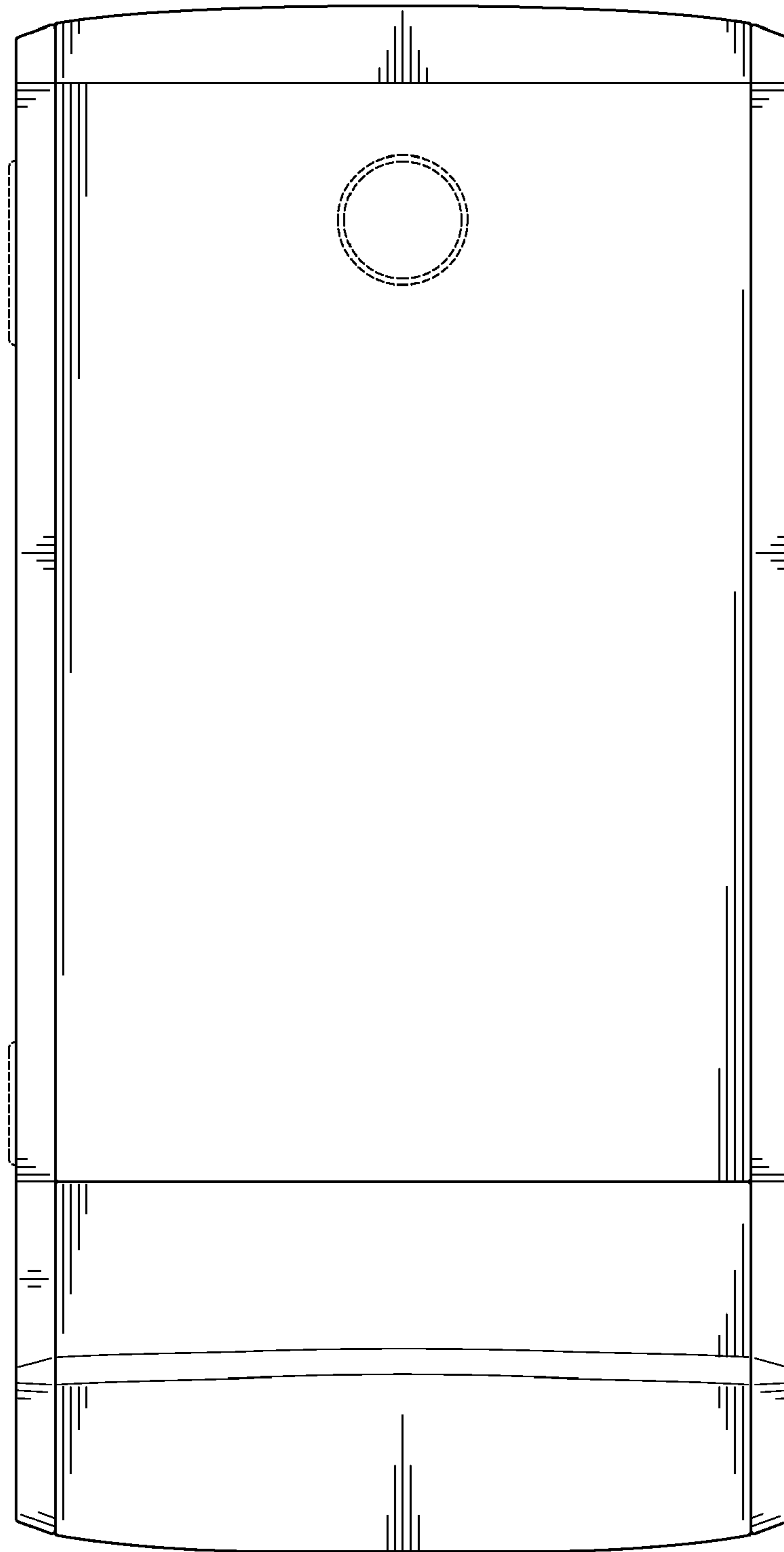


FIG. 3

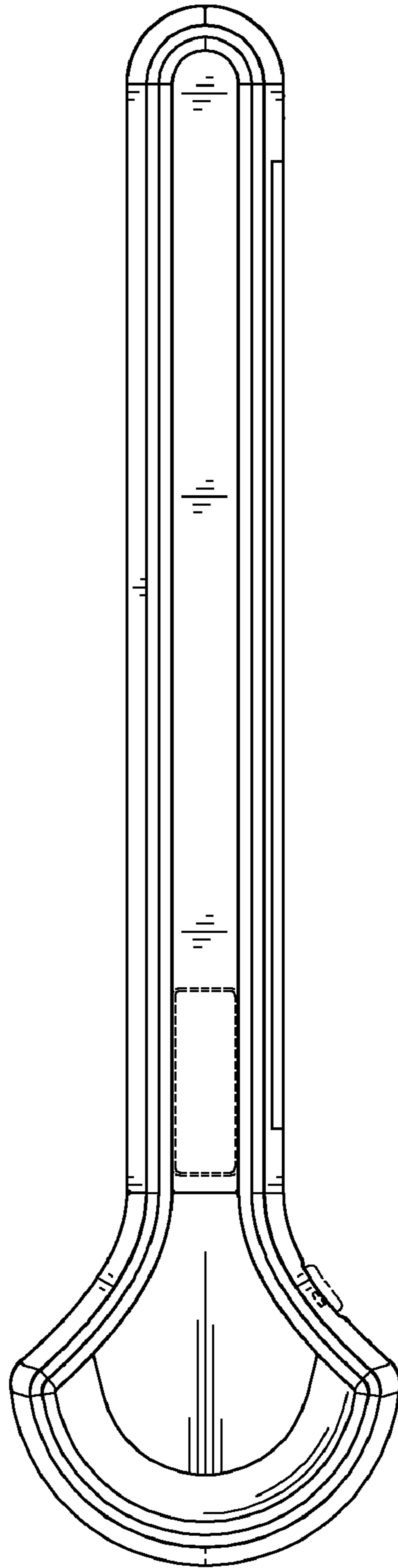


FIG. 4

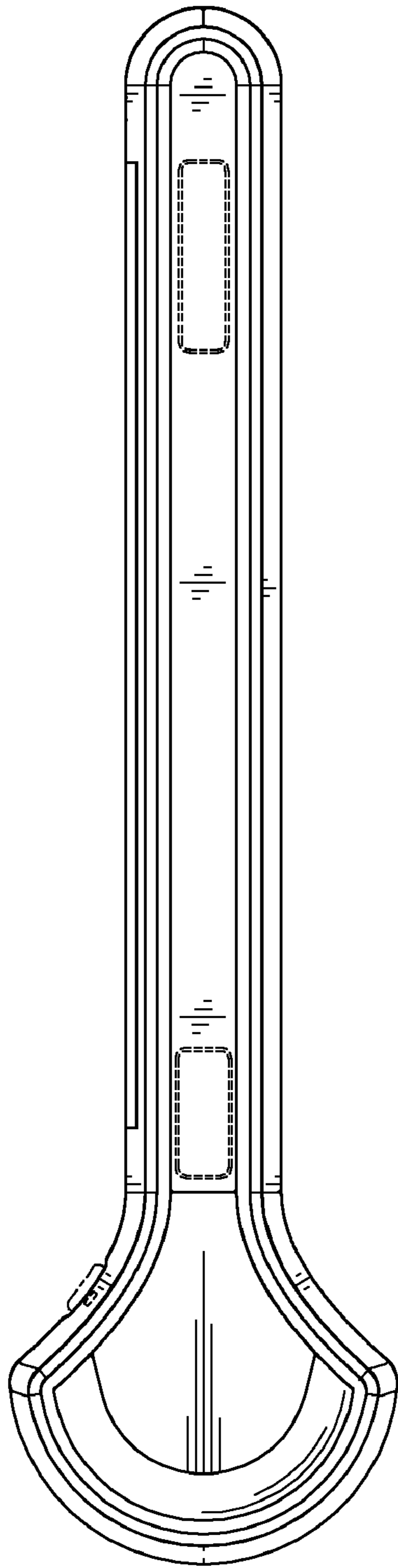


FIG. 5

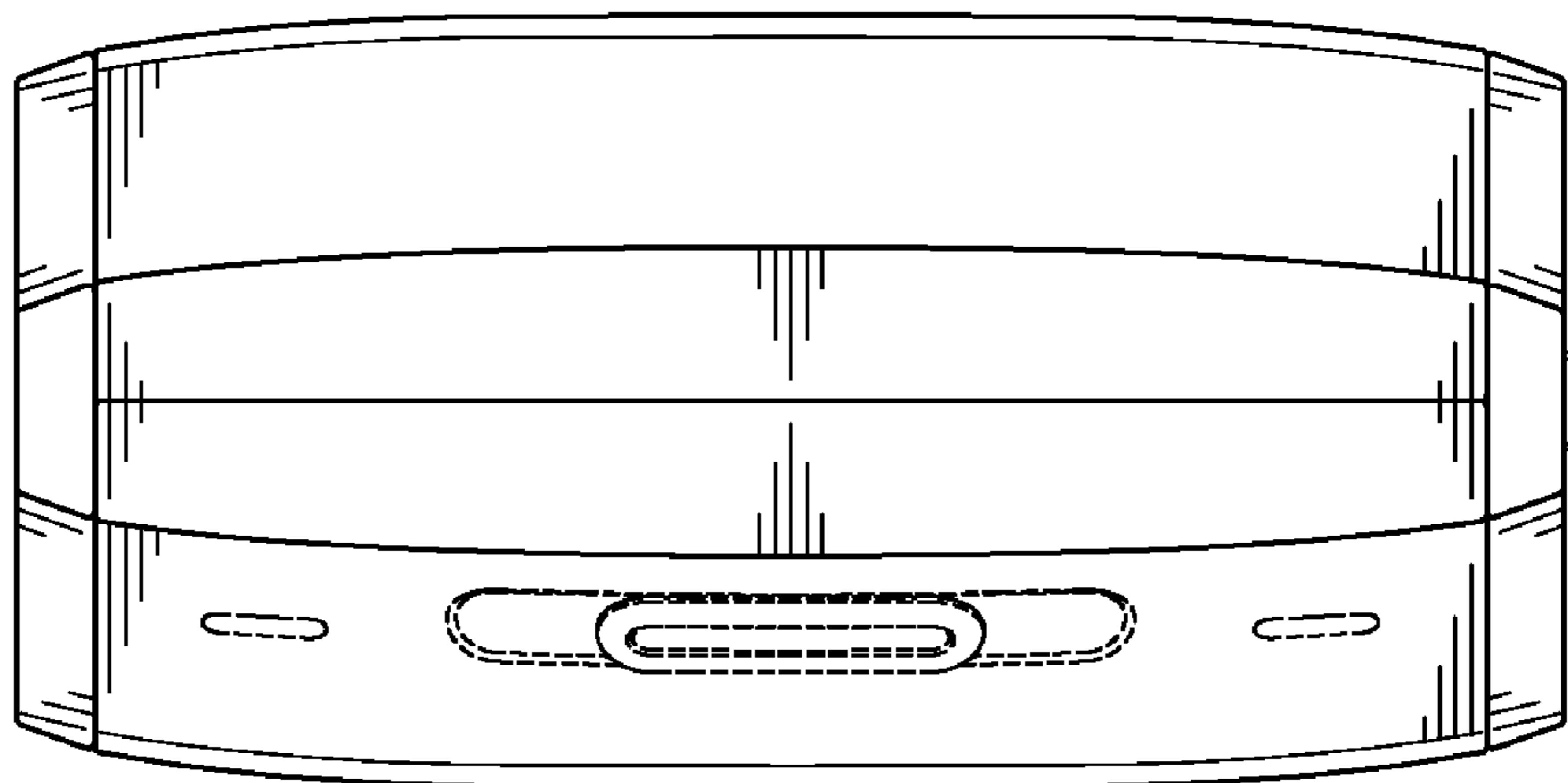


FIG. 6