



US00D613715S

(12) **United States Design Patent**
Hsu

(10) **Patent No.:** **US D613,715 S**
(45) **Date of Patent:** **** Apr. 13, 2010**

(54) **MOBILE PHONE**

(75) Inventor: **Elliott Hsu**, Raleigh, NC (US)
(73) Assignee: **Sony Ericsson Mobile Communications AB**, Lund (SE)
(**) Term: **14 Years**
(21) Appl. No.: **29/337,948**
(22) Filed: **Jun. 2, 2009**

(51) **LOC (9) Cl.** **14-03**
(52) **U.S. Cl.** **D14/138 AD**
(58) **Field of Classification Search** D14/138 R,
D14/138 AD, 138 AC, 138 C, 138 G, 191,
D14/203.1–203.8, 496, 138 AA, 138 AB,
D14/247–248, 137, 147, 218, 341–347; D10/65,
D10/78, 104; D13/168; D18/7; 455/566,
455/575.1, 575.3

See application file for complete search history.

(56) **References Cited**

U.S. PATENT DOCUMENTS

7,096,050	B2 *	8/2006	Taneya et al.	455/575.3
7,200,224	B2 *	4/2007	Park et al.	379/433.13
D544,460	S *	6/2007	Yau	D14/138 AD
D549,204	S *	8/2007	Cho	D14/138 AD
7,269,450	B2 *	9/2007	Lee et al.	455/575.1
D559,220	S *	1/2008	Lee et al.	D14/138 AD
D560,192	S *	1/2008	Lee et al.	D14/138 AD
D563,938	S *	3/2008	Kim et al.	D14/138 AD
D567,819	S *	4/2008	Devericks et al.	D14/496
7,369,882	B2 *	5/2008	Hwang et al.	455/575.1
D576,141	S *	9/2008	Moon et al.	D14/138 G
D577,349	S *	9/2008	Choi et al.	D14/138 AD
D579,439	S *	10/2008	Chung et al.	D14/138 AD
D583,346	S *	12/2008	Jung et al.	D14/138 AD
D589,021	S *	3/2009	Millora	D14/138 AD
D589,487	S *	3/2009	Park et al.	D14/138 AD

OTHER PUBLICATIONS

Eten glofiish X500, announced Oct. 2006, [online], [retrieved on Feb. 20, 2007]. Retrieved from Internet ,<URL: http://www.gsmarena.com>.*
Eten glofiish M800, announced Oct. 2007, [online], [retrieved on Dec. 13, 2007]. Retrieved from Internet ,<URL: http://www.gsmarena.com>.*
Sony Ericsson XPERIA X2, announced Sep. 2009, [online], [retrieved on Sep. 4, 2009]. Retrieved from Internet ,<URL: http://www.gsmarena.com>.*

Primary Examiner—Jeffrey D Asch
Assistant Examiner—Bridget L Eland

(74) *Attorney, Agent, or Firm*—Renner, Otto, Boisselle & Sklar, LLP

(57) **CLAIM**

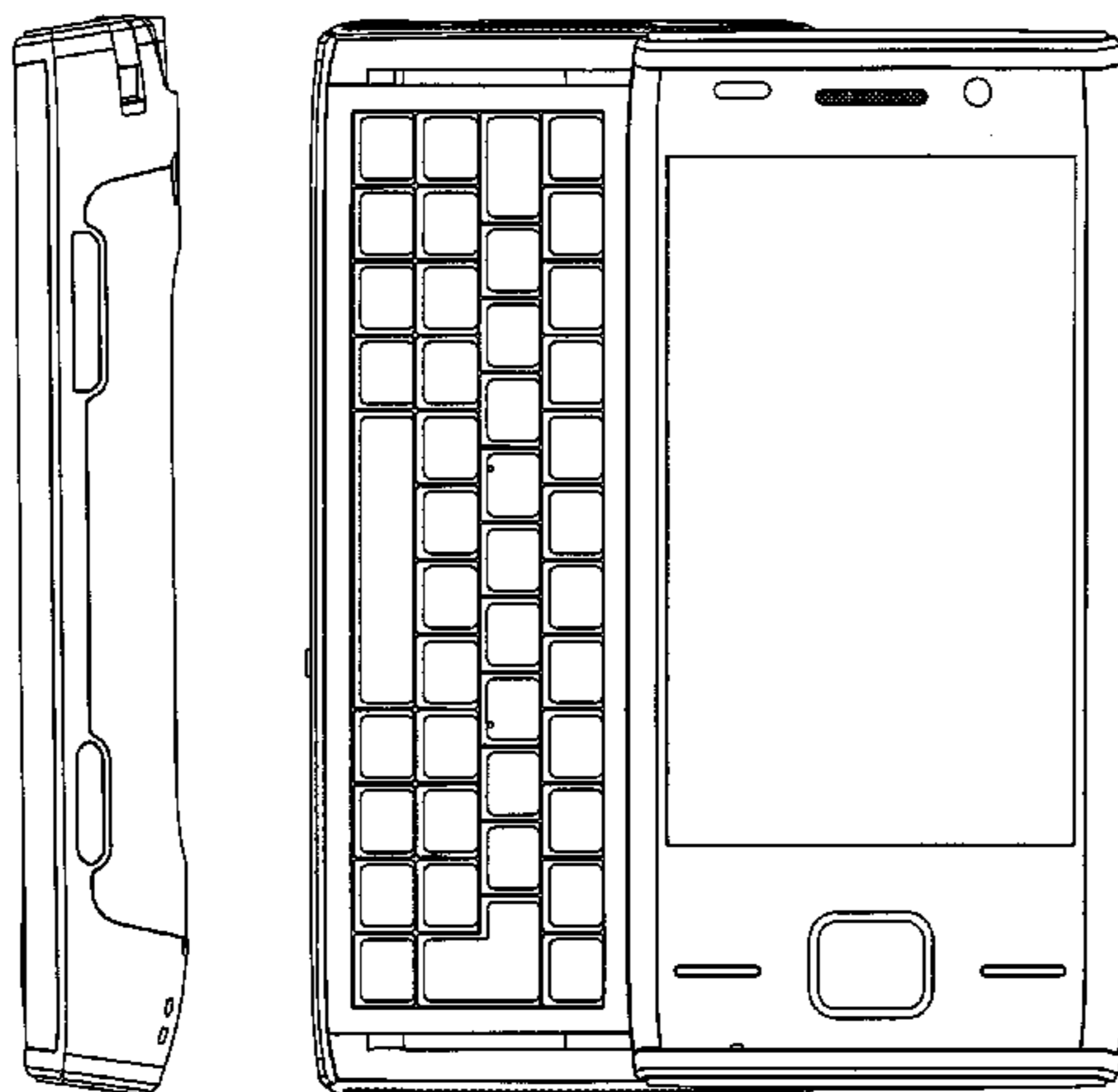
The ornamental design for a mobile phone, as shown and described.

DESCRIPTION

FIG. 1 is a front perspective view of a mobile phone in a closed position showing my design;
FIG. 2 is a front view thereof;
FIG. 3 is a rear view thereof;
FIG. 4 is a right side view thereof;
FIG. 5 is a left side view thereof;
FIG. 6 is a bottom view thereof;
FIG. 7 is a top view thereof;
FIG. 8 is a front perspective view of the mobile phone in an open position;
FIG. 9 is a front view thereof;
FIG. 10 is a rear view thereof;
FIG. 11 is a right side view thereof;
FIG. 12 is a left side view thereof;
FIG. 13 is a bottom view thereof; and,
FIG. 14 is a top view thereof.

(Continued)

1 Claim, 10 Drawing Sheets



US D613,715 S

Page 2

U.S. PATENT DOCUMENTS

D590,793 S *	4/2009	Kim et al.	D14/138 AD	D597,507 S *	8/2009	Jung et al.	D14/138 AD
D590,796 S *	4/2009	Kim et al.	D14/138 AD	D601,122 S *	9/2009	Hibino et al.	D14/203.7
7,522,937 B2 *	4/2009	Tanaka	455/550.1	D607,858 S *	1/2010	Millora	D14/138 AD
D591,714 S *	5/2009	Kim et al.	D14/138 AD	2003/0125094 A1 *	7/2003	Hyun et al.	455/566
D593,984 S *	6/2009	Hirano	D14/138 AD	2008/0158189 A1 *	7/2008	Kim	345/173

* cited by examiner

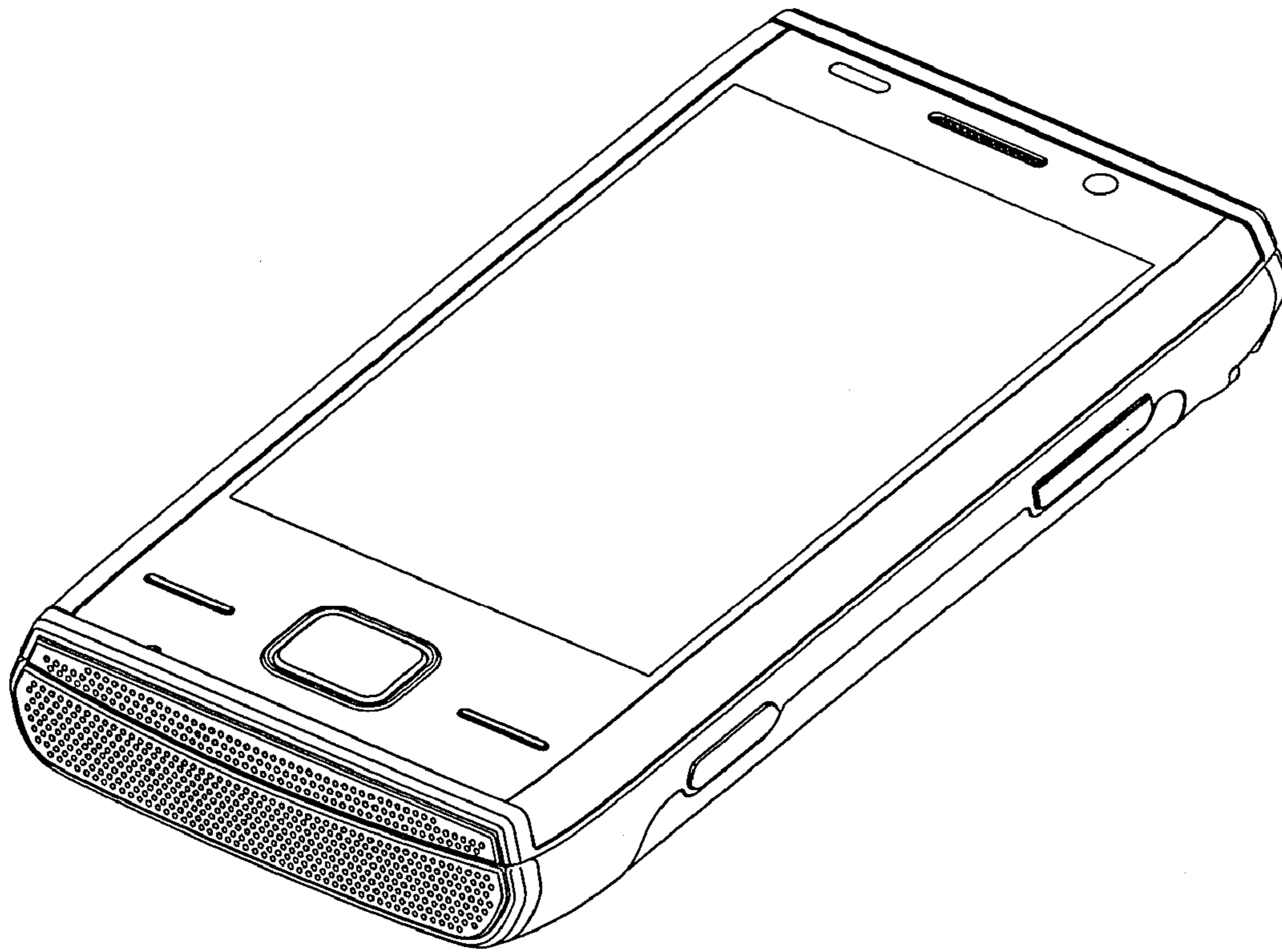


FIG. 1

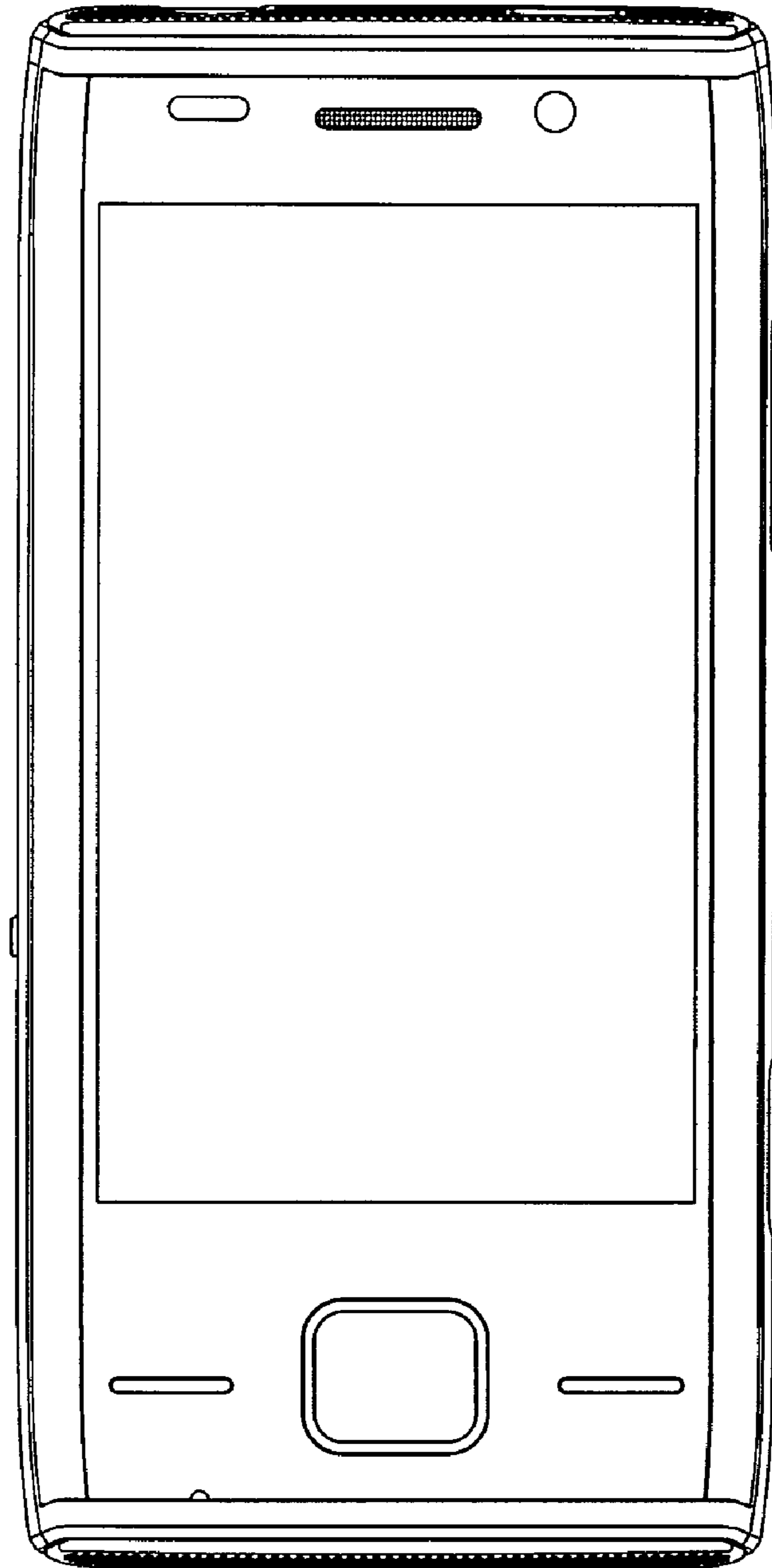


FIG. 2

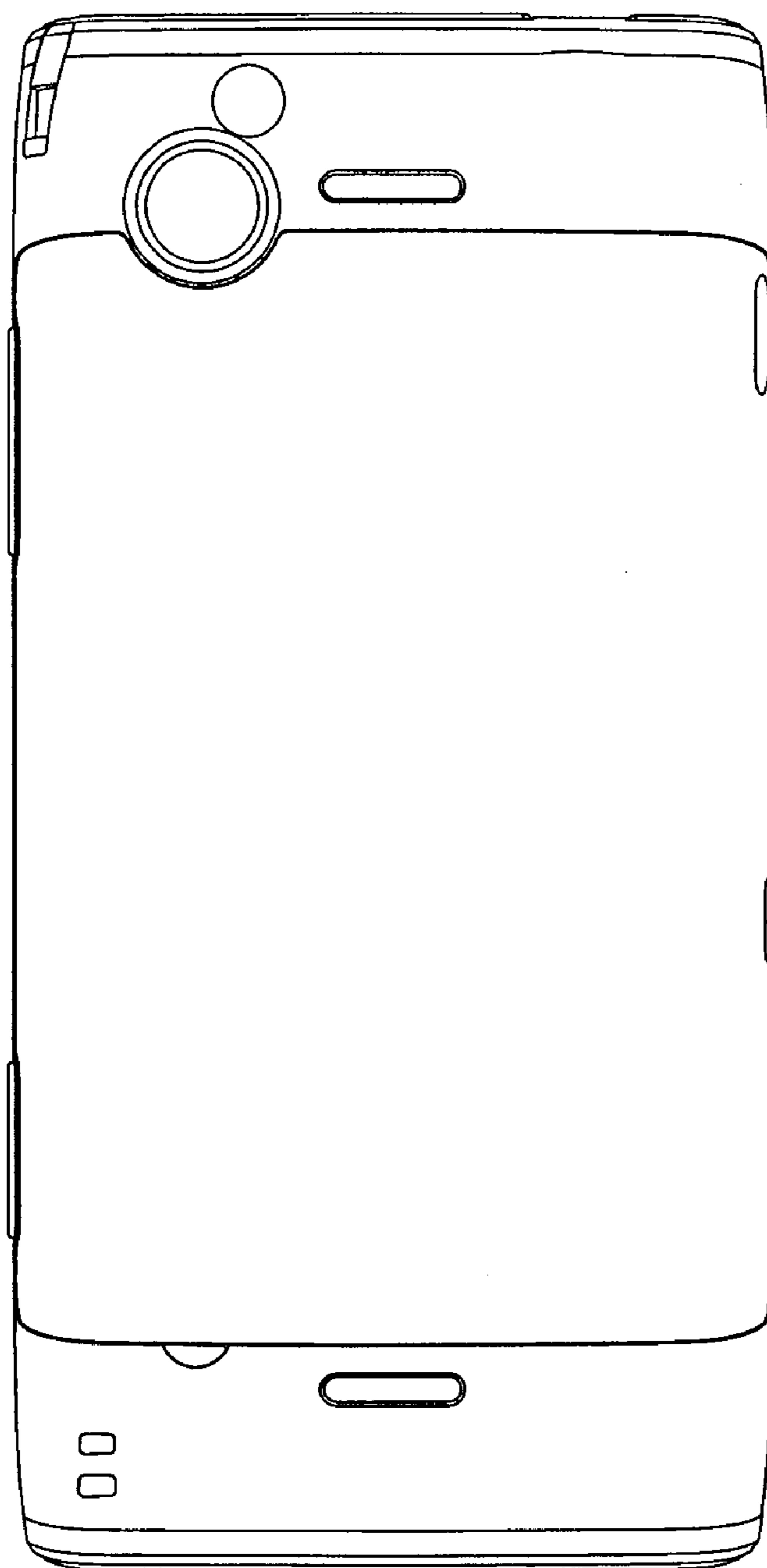


FIG. 3

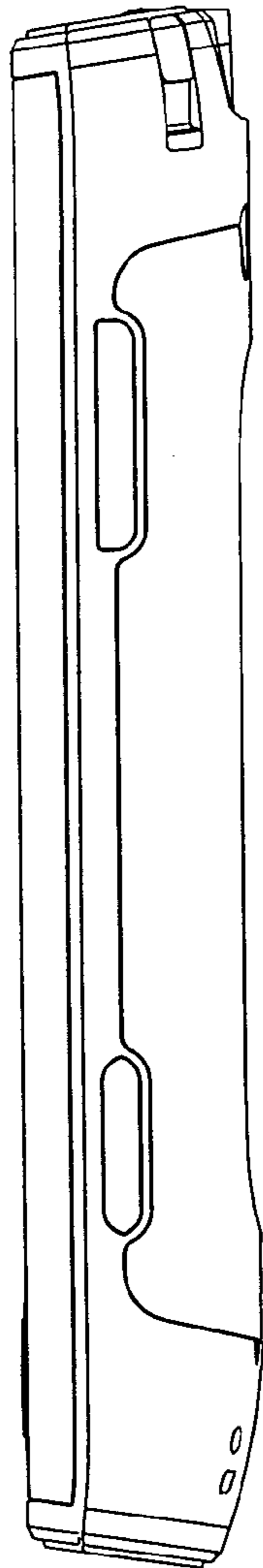


FIG. 4

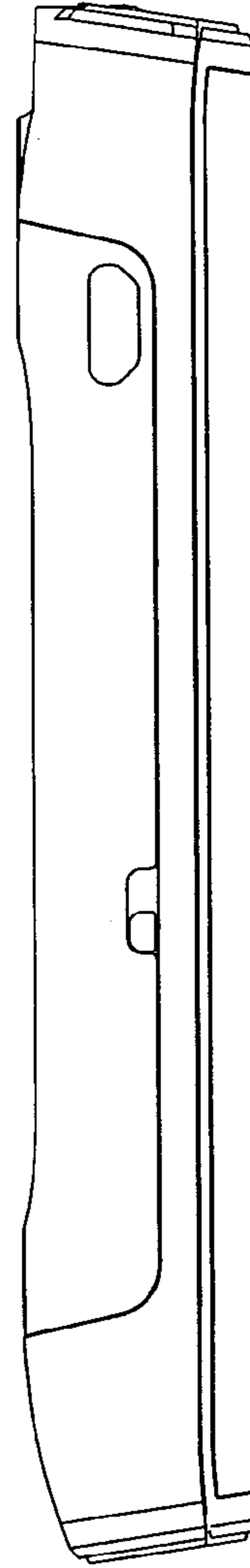


FIG. 5

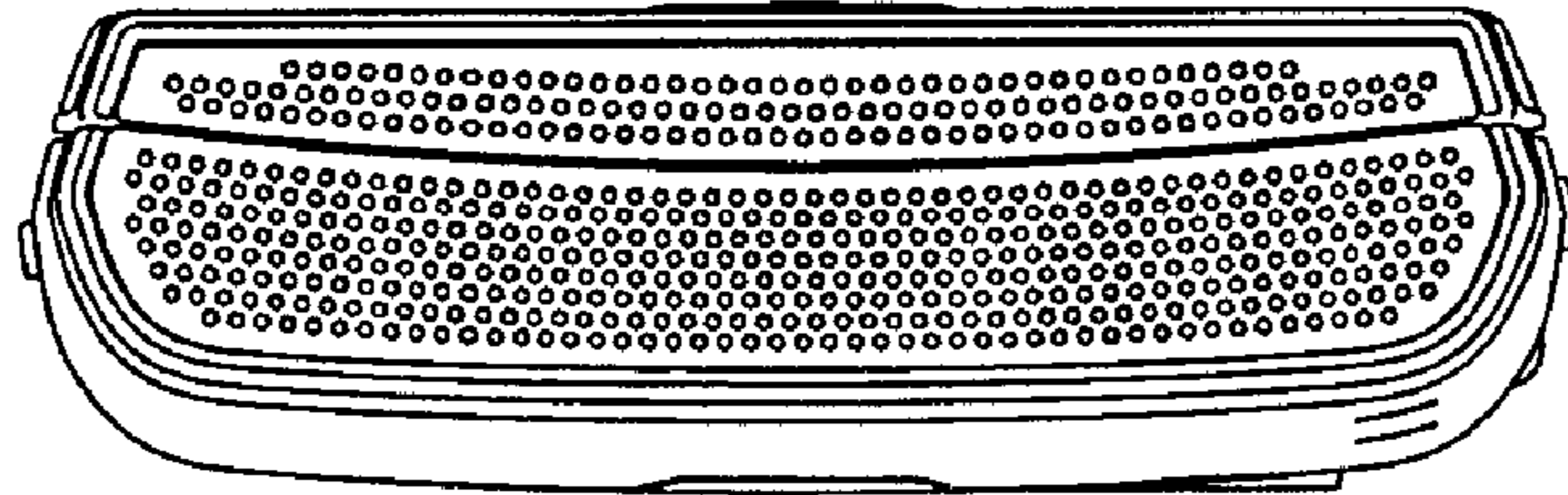


FIG. 6

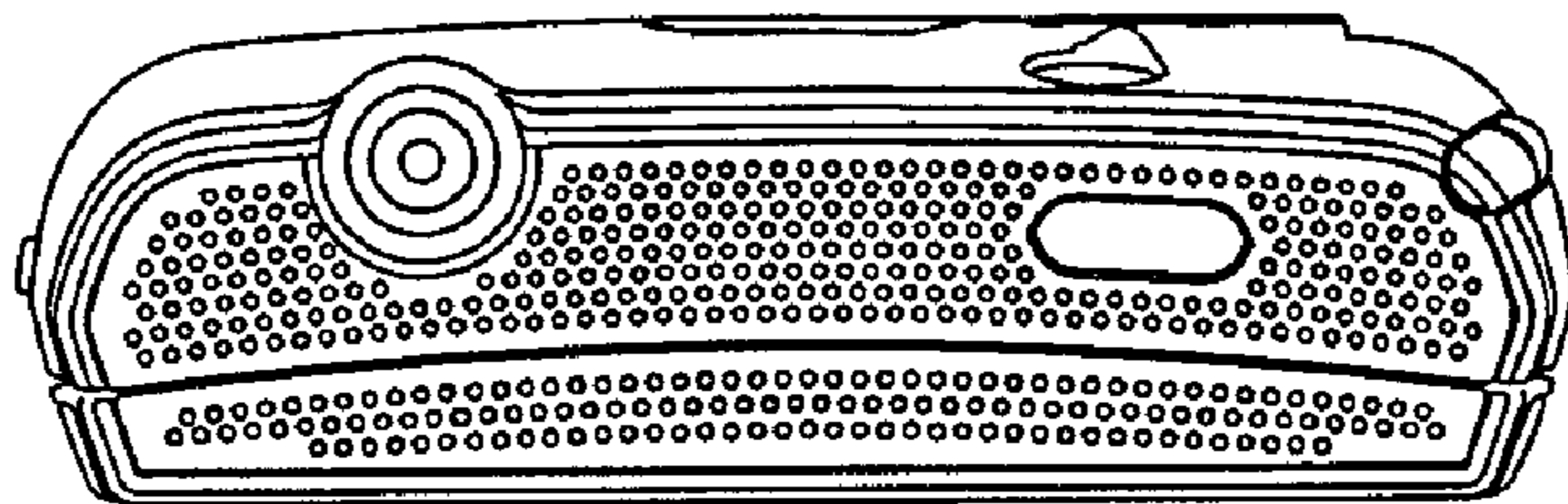


FIG. 7

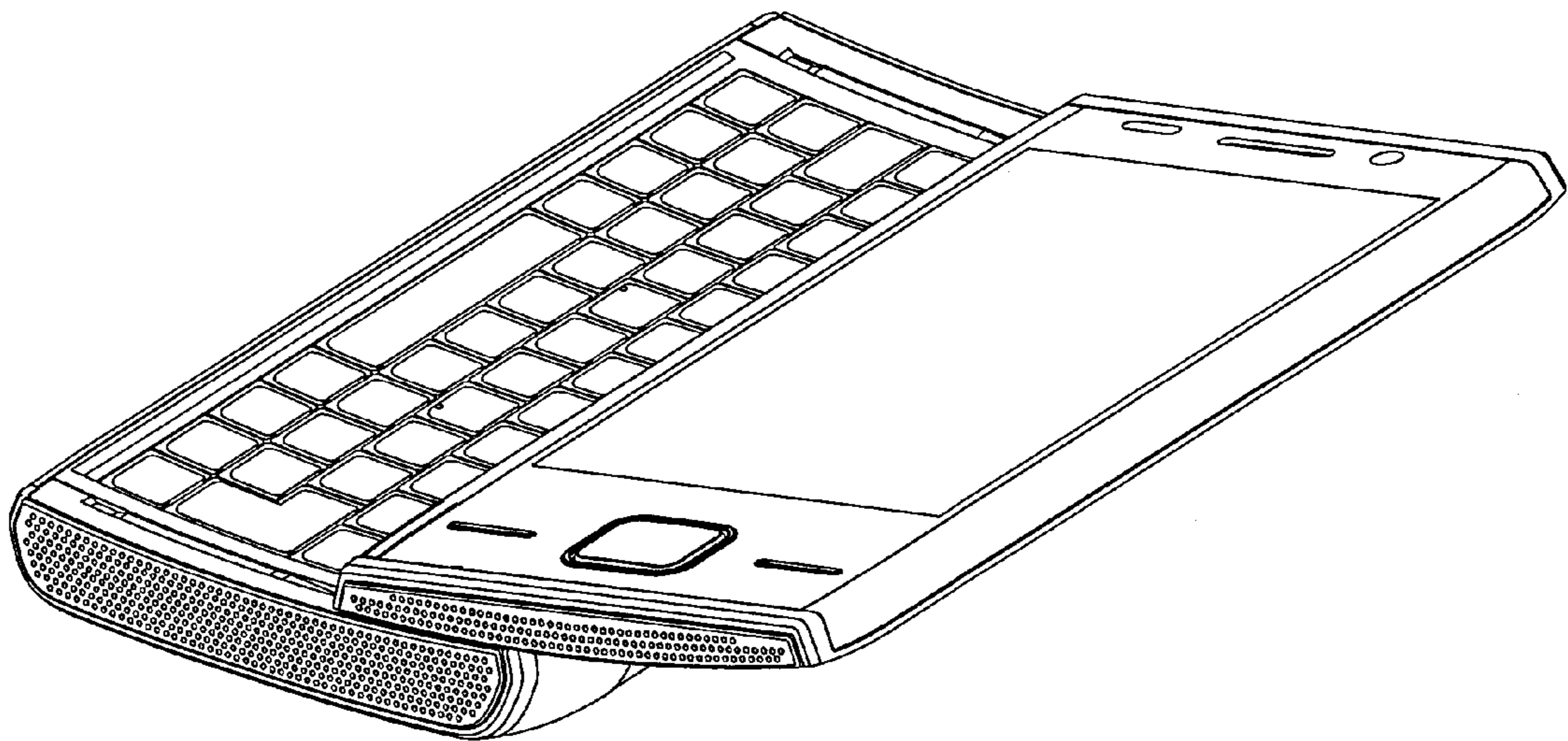


FIG. 8

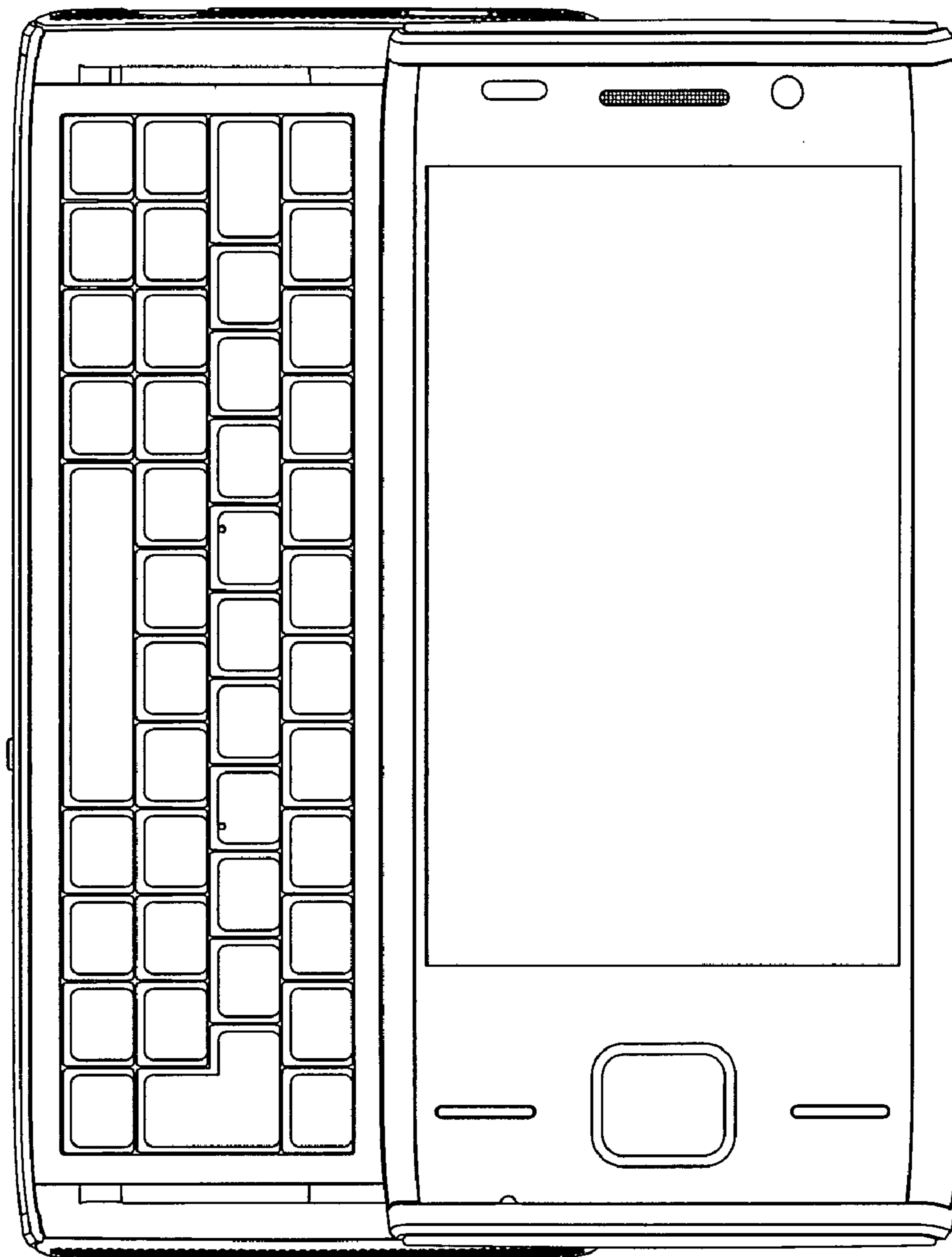


FIG. 9

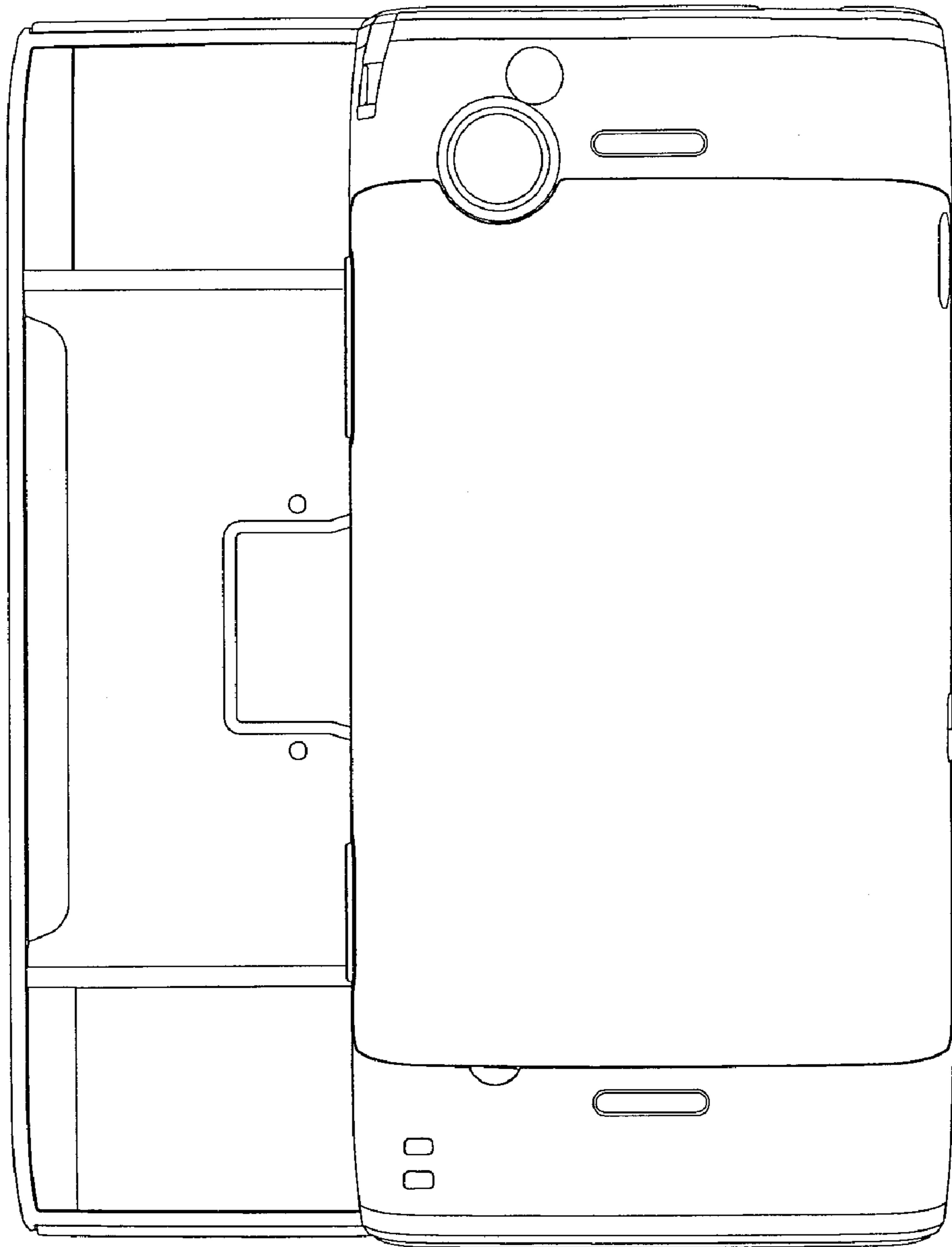


FIG. 10

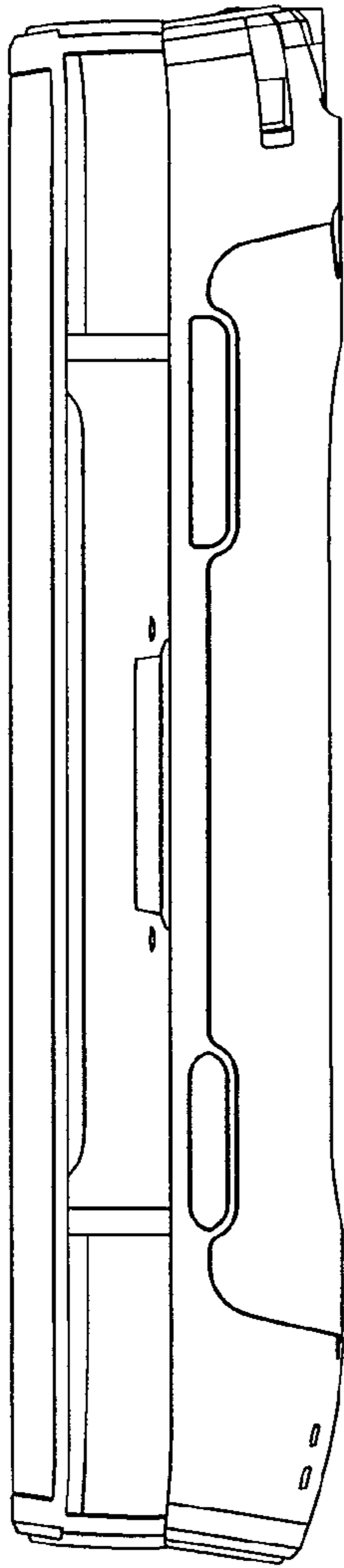


FIG. 11

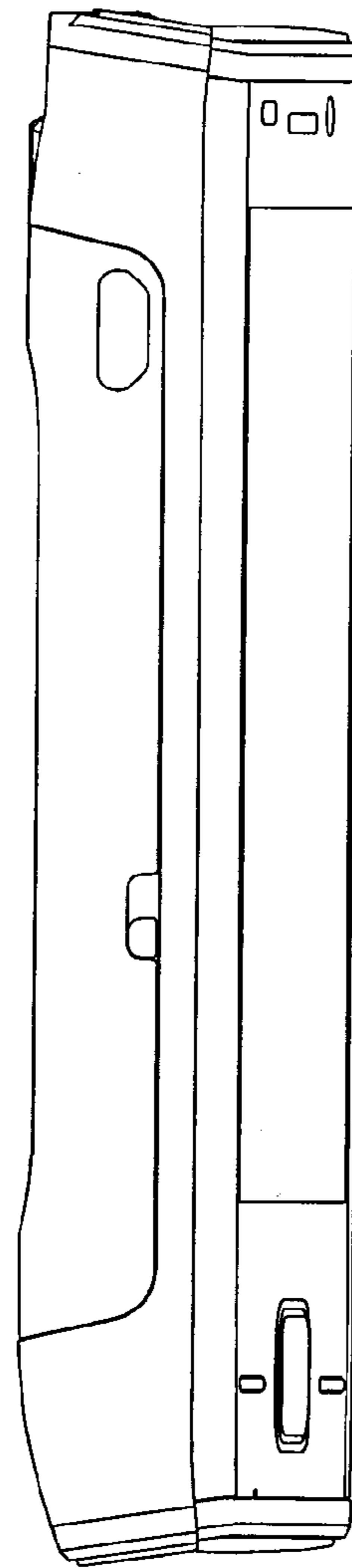


FIG. 12

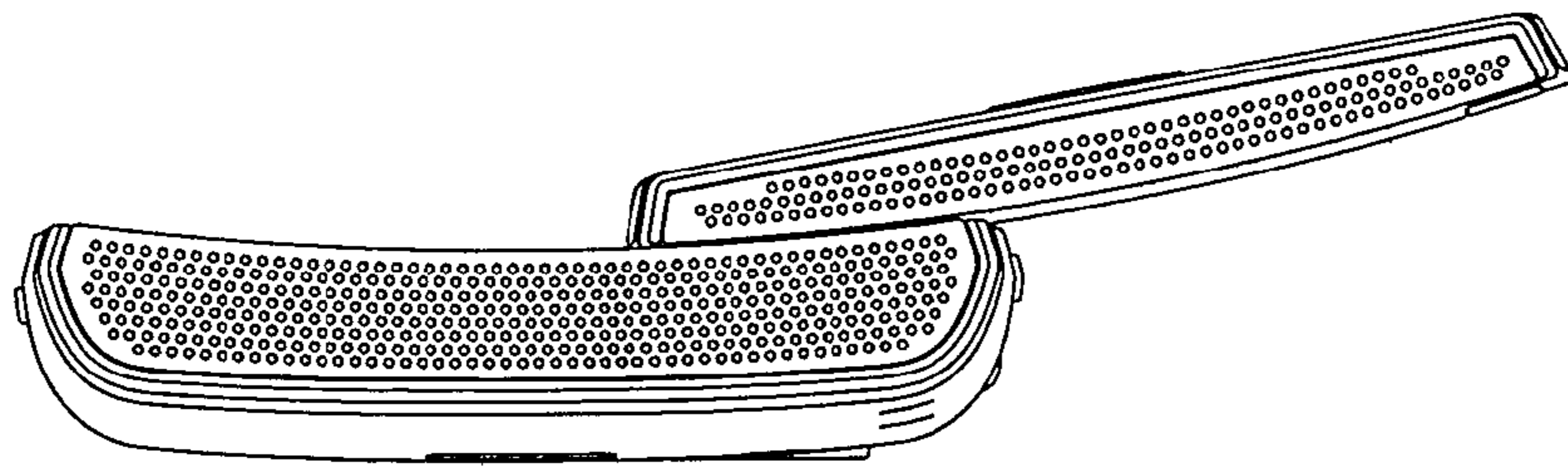


FIG. 13

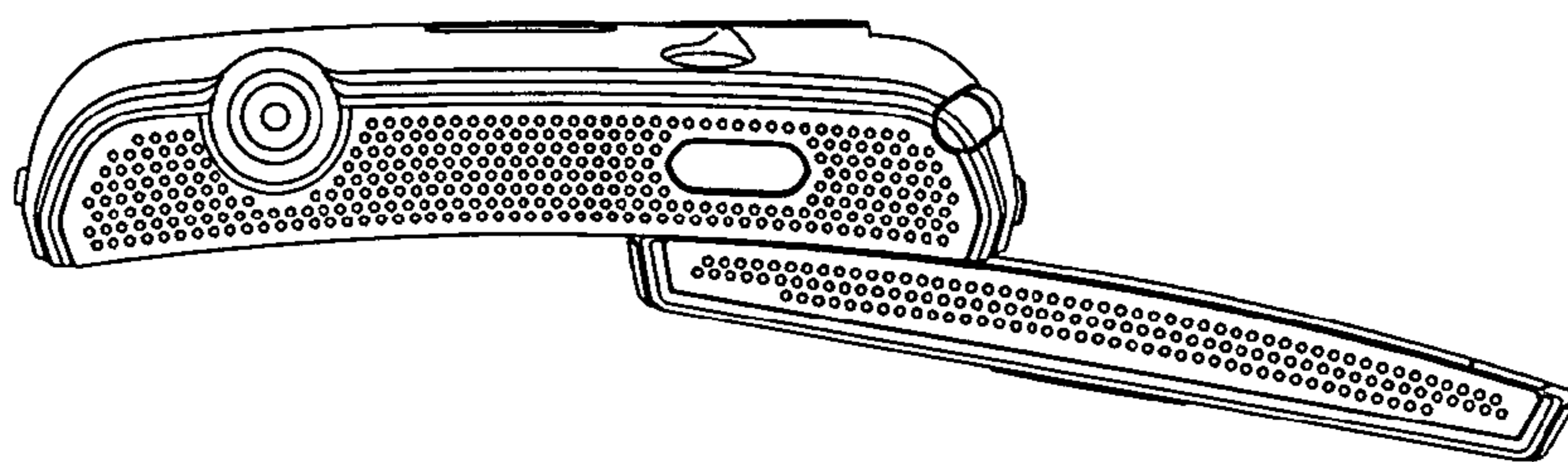


FIG. 14