



US00D613710S

(12) **United States Design Patent**
Kim et al.

(10) **Patent No.:** **US D613,710 S**
(45) **Date of Patent:** **** Apr. 13, 2010**

(54) **MOBILE PHONE**

(75) Inventors: **Kang-Moon Kim**, Seoul (KR);
Young-Ju Yeo, Seoul (KR);
Chang-Hwan Hwang, Goyang-si (KR)

(73) Assignee: **Samsung Electronics Co., Ltd.**,
Suwon-Si (KR)

(**) Term: **14 Years**

(21) Appl. No.: **29/335,146**

(22) Filed: **Apr. 9, 2009**

(30) **Foreign Application Priority Data**

Nov. 24, 2008 (KR) 30-2008-0050465

(51) **LOC (9) Cl.** **14-03**

(52) **U.S. Cl.** **D14/138 AB**

(58) **Field of Classification Search** D14/138 AB,
D14/138 R, 138 AD, 345, 346, 147, 203.4,
D14/203.7, 203.2, 144; 455/575.3; 379/433.1,
379/433.11, 433.13; D21/517
See application file for complete search history.

(56) **References Cited**

U.S. PATENT DOCUMENTS

D486,809 S * 2/2004 Hwang D14/138 AB
D488,471 S * 4/2004 Yagawa et al. D14/346
D489,699 S * 5/2004 Hwang et al. D14/138 AB
D500,016 S * 12/2004 Kim D14/138 AB
D501,189 S * 1/2005 Lodato et al. D14/138 AB
D537,059 S * 2/2007 Hwang D14/138 AB
D540,767 S * 4/2007 Kim et al. D14/138 AB

D555,124 S * 11/2007 Lee D14/138 AB
D556,720 S * 12/2007 Lee D14/138 AB
D556,723 S * 12/2007 Lee D14/138 AB
D563,924 S * 3/2008 Arnold et al. D14/138 AB
D568,278 S * 5/2008 Kim et al. D14/138 AB
D568,852 S * 5/2008 Park D14/138 AB

(Continued)

OTHER PUBLICATIONS

Samsung M2310 telephone, announced Jun. 2009, [online], [site visited Nov. 6, 2009] . Available from Internet ,<URL: <http://www.gsmarena.com>>.*

(Continued)

Primary Examiner—Jeffrey D Asch

(74) *Attorney, Agent, or Firm*—Staas & Halsey LLP

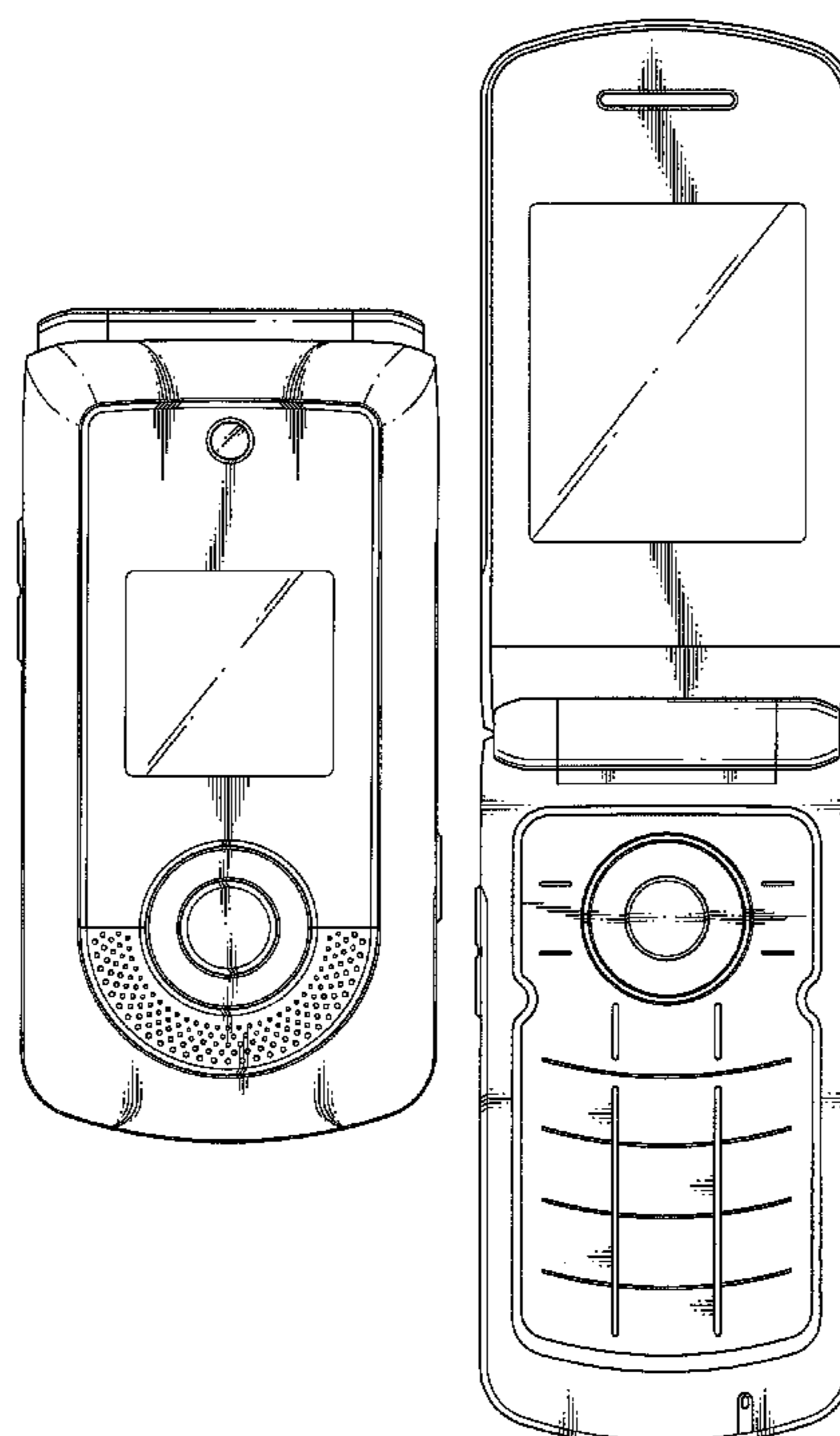
(57) **CLAIM**

The ornamental design for a mobile phone, as shown and described.

DESCRIPTION

FIG. 1 is a front perspective view of a mobile phone;
FIG. 2 is a front view of the mobile phone of FIG. 1;
FIG. 3 is a rear view of the mobile phone of FIG. 1;
FIG. 4 is a left-side view of the mobile phone of FIG. 1;
FIG. 5 is a right-side view of the mobile phone of FIG. 1;
FIG. 6 is a top plan view of the mobile phone of FIG. 1;
FIG. 7 is a bottom plan view of the mobile phone of FIG. 1;
and,
FIG. 8 is a front open view of the mobile phone of FIG. 1.

1 Claim, 5 Drawing Sheets



US D613,710 S

Page 2

U.S. PATENT DOCUMENTS

D571,771 S * 6/2008 Kim et al. D14/138 AB
D573,968 S * 7/2008 Chen et al. D14/138 AB
D576,599 S * 9/2008 Han et al. D14/138 AB
D576,982 S * 9/2008 Seo D14/138 AB
D583,787 S * 12/2008 Kim et al. D14/138 AB
D585,043 S * 1/2009 Kwon et al. D14/138 AB
D587,233 S * 2/2009 Kim et al. D14/138 AB
D592,169 S * 5/2009 Kim et al. D14/138 AB
D595,255 S * 6/2009 Cho D14/138 AB
D596,151 S * 7/2009 Lee D14/138 AB
D597,049 S * 7/2009 Choi et al. D14/138 AB
D598,000 S * 8/2009 Kim et al. D14/138 AB
D598,410 S * 8/2009 Park D14/138 AB
D598,421 S * 8/2009 Kim et al. D14/138 AB

2008/0194299 A1* 8/2008 Cho et al. 455/566

OTHER PUBLICATIONS

Sagem my900c telephone, announced Mar. 2006, [online], [site visited Nov. 6, 2009]. Available from Internet ,<URL: <http://www.gsmarena.com>>.*

Amoi H810 telephone, announced 2nd quarter 2006, [online], [site visited Nov. 6, 2009]. Available from Internet ,<URL: <http://www.gsmarena.com>>.*

Amoi H815 telephone, announced 2nd quarter 2006, [online], [site visited Nov. 6, 2009]. Available from Internet ,<URL: <http://www.gsmarena.com>>.*

Pantech Pg-1200 telephone, announced 2nd quarter 2005, [online], [site visited Nov. 6, 2009]. Available from Internet ,<URL: <http://www.gsmarena.com>>.*

* cited by examiner

FIG. 1

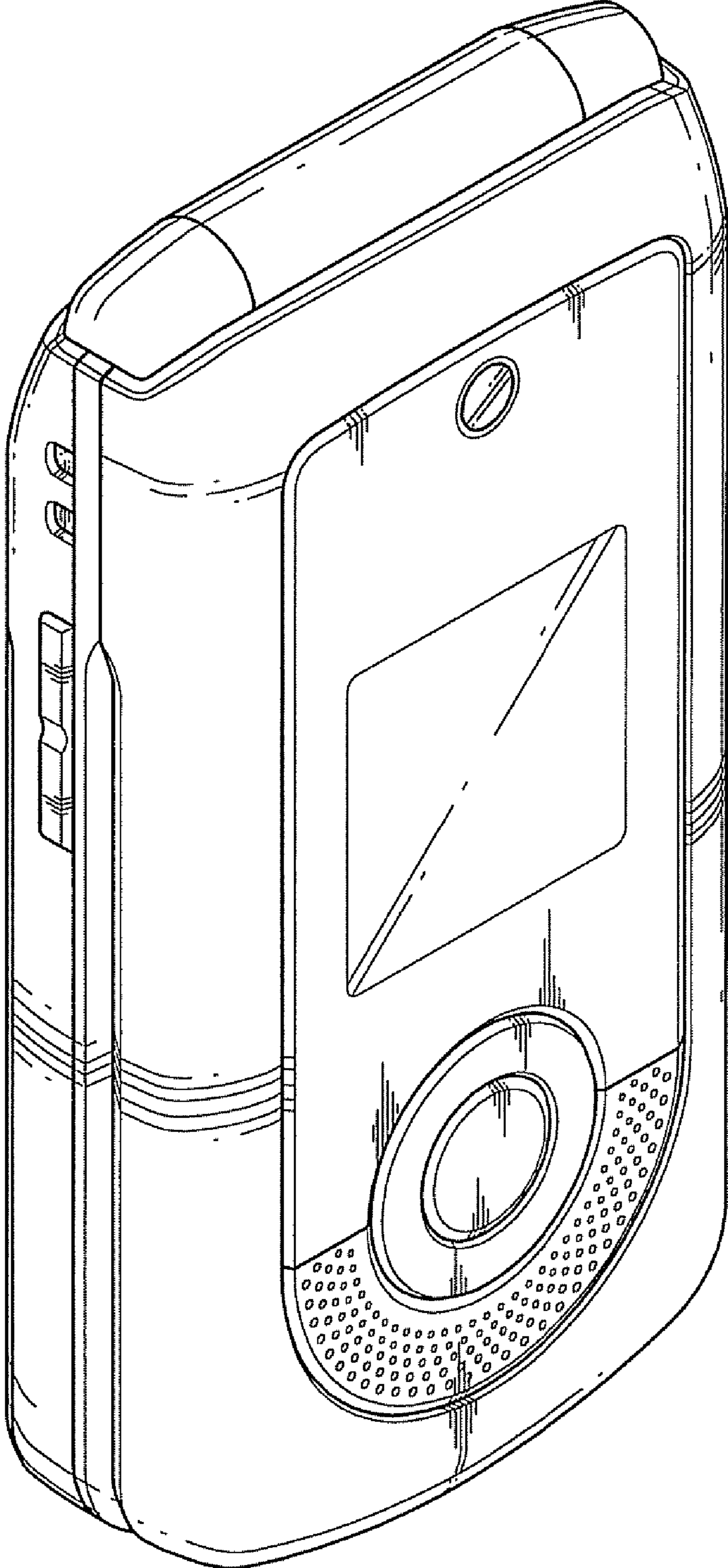


FIG.2

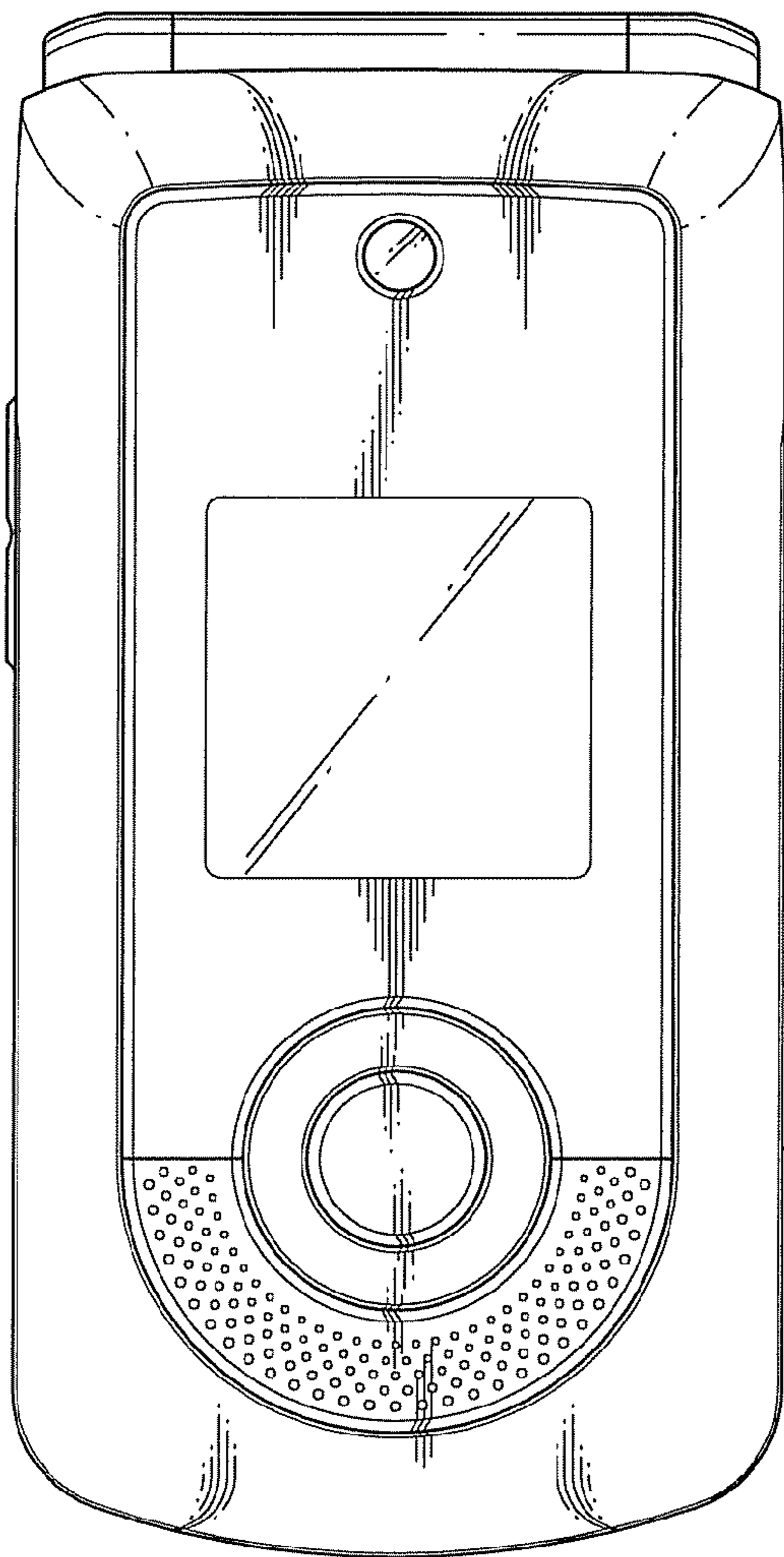


FIG.3

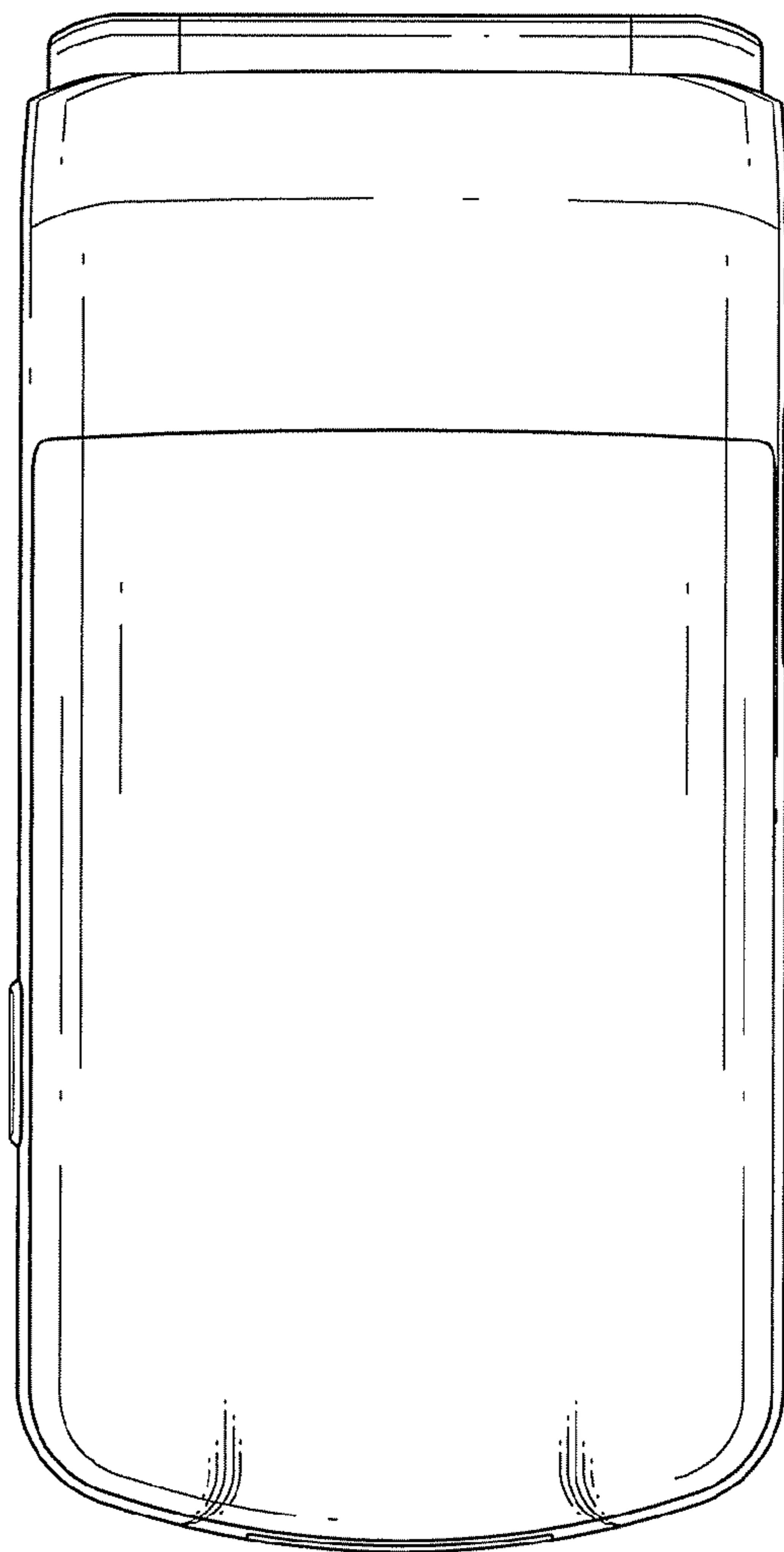


FIG. 4

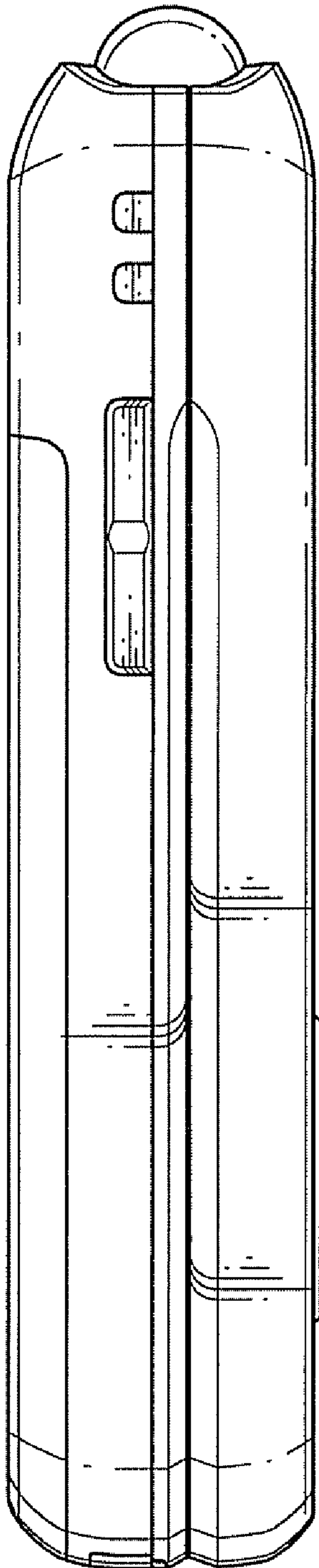


FIG. 5

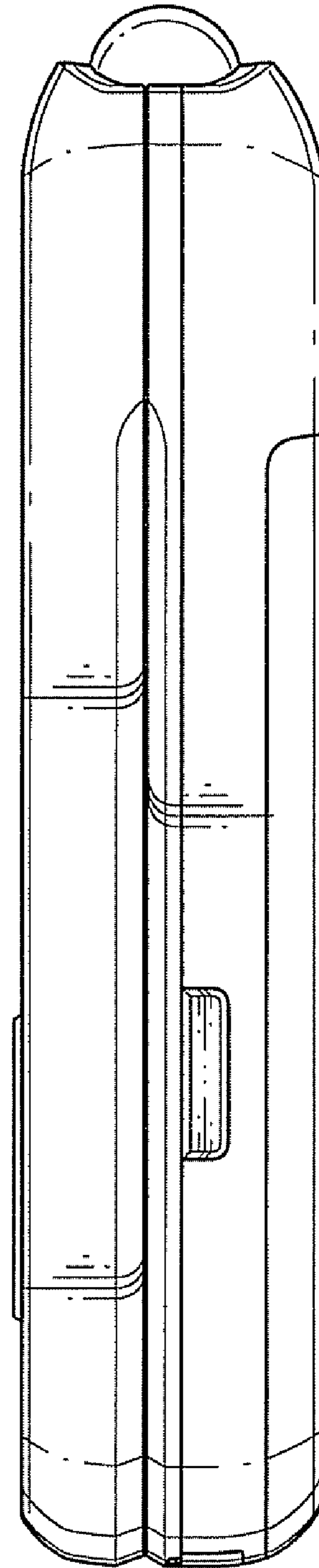


FIG. 6

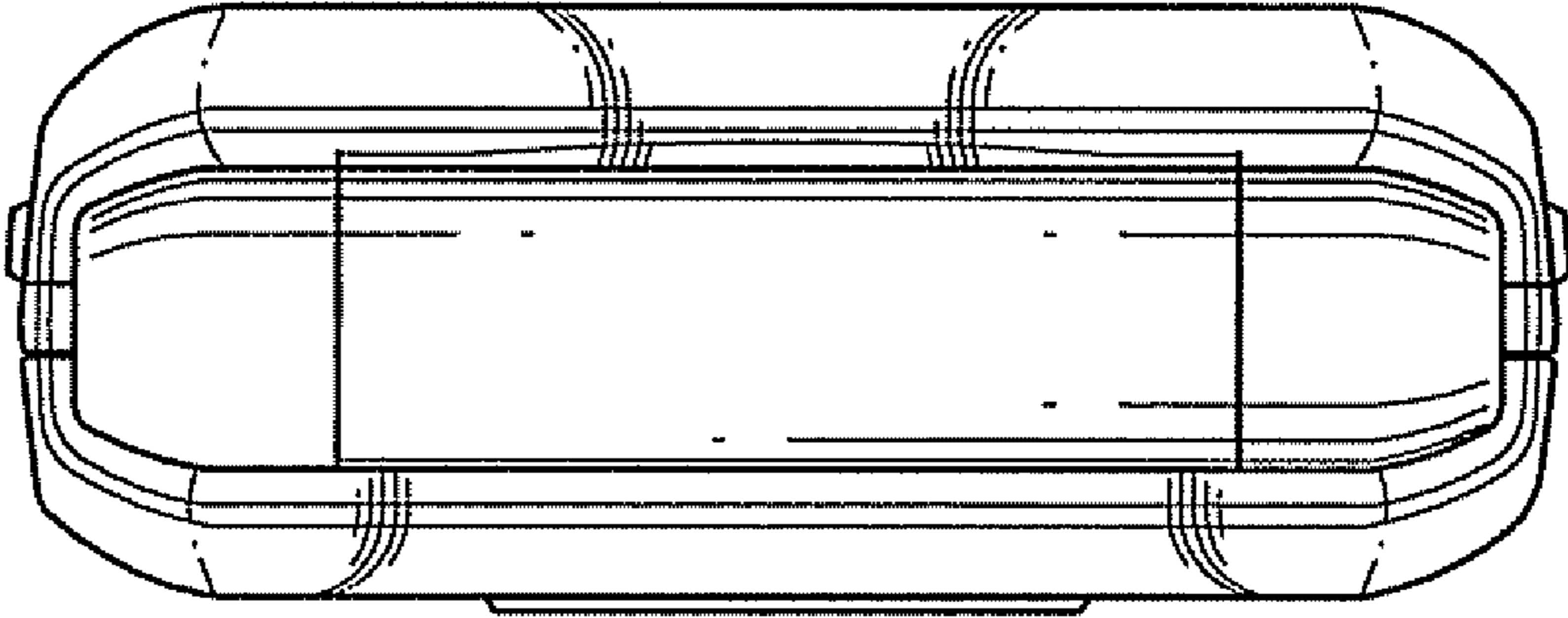


FIG. 7

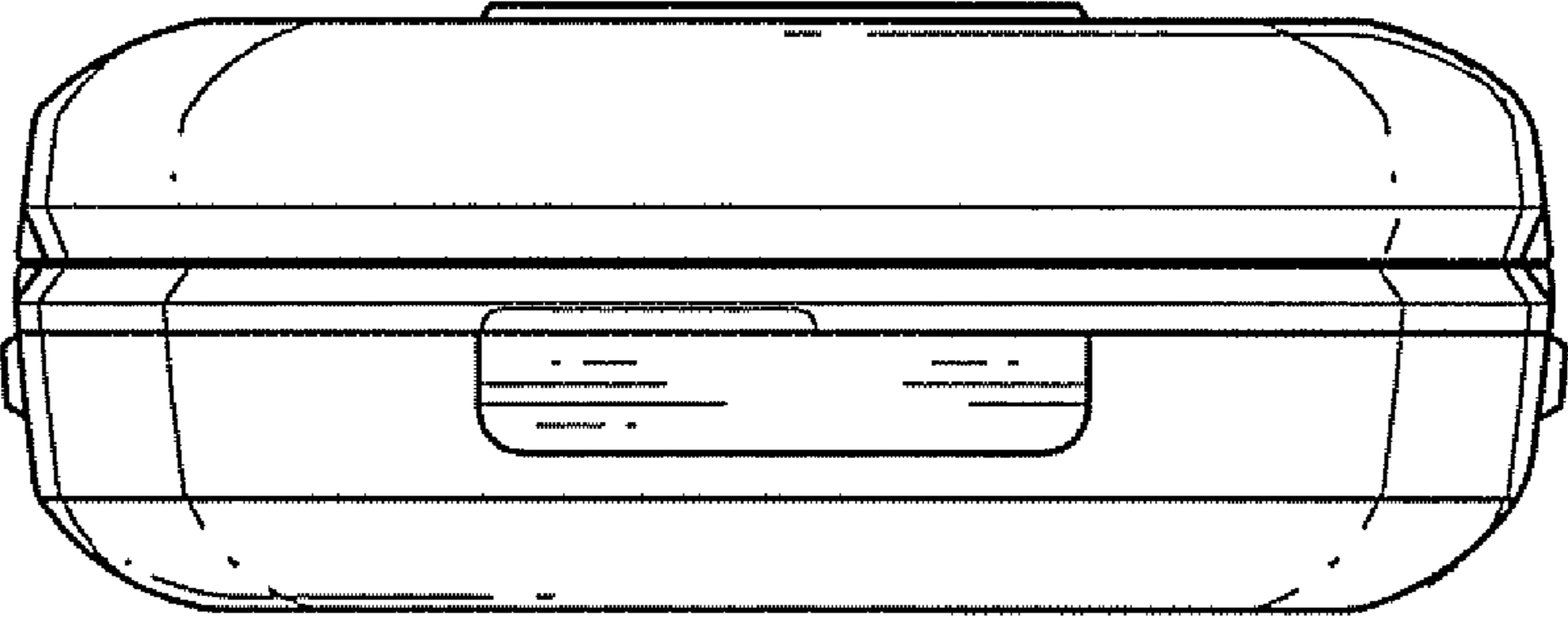


FIG. 8

