



US00D613702S

(12) **United States Design Patent**  
**Yen et al.**

(10) **Patent No.:** **US D613,702 S**  
(45) **Date of Patent:** **\*\* \*Apr. 13, 2010**

(54) **TWO-PIN LEAD FRAME FOR A LED DEVICE**

(75) Inventors: **Jui-Kang Yen**, Taipei (TW); **Yung-Wei Chen**, Taichung (TW)

(73) Assignee: **SemiLEDs Optoelectronics Co., Ltd.**, Chu-Nan (TW)

(\*) Notice: This patent is subject to a terminal disclaimer.

(\*\*) Term: **14 Years**

(21) Appl. No.: **29/278,104**

(22) Filed: **Mar. 20, 2007**

**Related U.S. Application Data**

(63) Continuation-in-part of application No. 29/249,575, filed on Oct. 12, 2006, now Pat. No. Des. 580,375.

(51) **LOC (9) Cl.** ..... **13-03**

(52) **U.S. Cl.** ..... **D13/182**

(58) **Field of Classification Search** ..... D13/180;  
D26/2; 257/79, 80, 81, 88, 89, 95, 98, 99,  
257/100; 313/483, 498, 500; 362/555, 800  
See application file for complete search history.

(56) **References Cited**

**U.S. PATENT DOCUMENTS**

5,977,626	A *	11/1999	Wang et al.	.....	257/707
6,559,379	B2 *	5/2003	Solanki et al.	.....	174/533
6,569,764	B1 *	5/2003	Hirashima et al.	.....	438/673
6,891,256	B2 *	5/2005	Joshi et al.	.....	257/676
6,943,433	B2 *	9/2005	Kamada	.....	257/666
6,999,318	B2 *	2/2006	Newby	.....	361/719
D520,965	S *	5/2006	Omata	.....	D13/180

D532,383	S *	11/2006	Nagai et al.	.....	D13/180
D536,309	S *	2/2007	Muguruma et al.	.....	D13/180
7,211,882	B2	5/2007	Wang et al.		
7,321,161	B2	1/2008	Teixeira et al.		
2003/0116769	A1 *	6/2003	Song et al.	.....	257/79
2005/0127483	A1	6/2005	Joshi et al.		
2005/0269587	A1 *	12/2005	Loh et al.	.....	257/99
2006/0157726	A1 *	7/2006	Loh et al.	.....	257/100

\* cited by examiner

*Primary Examiner*—Selina Sikder

(74) *Attorney, Agent, or Firm*—Patterson & Sheridan, LLP

(57) **CLAIM**

The ornamental design for a two-pin lead frame for a LED device, as shown and described.

**DESCRIPTION**

FIG. 1 is a perspective view of a two-pin lead frame for a LED device in accordance with one embodiment of the present invention.

FIG. 2 is a front view of the two-pin lead frame for a LED device of FIG. 1.

FIG. 3 is a rear view of the two-pin lead frame for a LED device of FIG. 1.

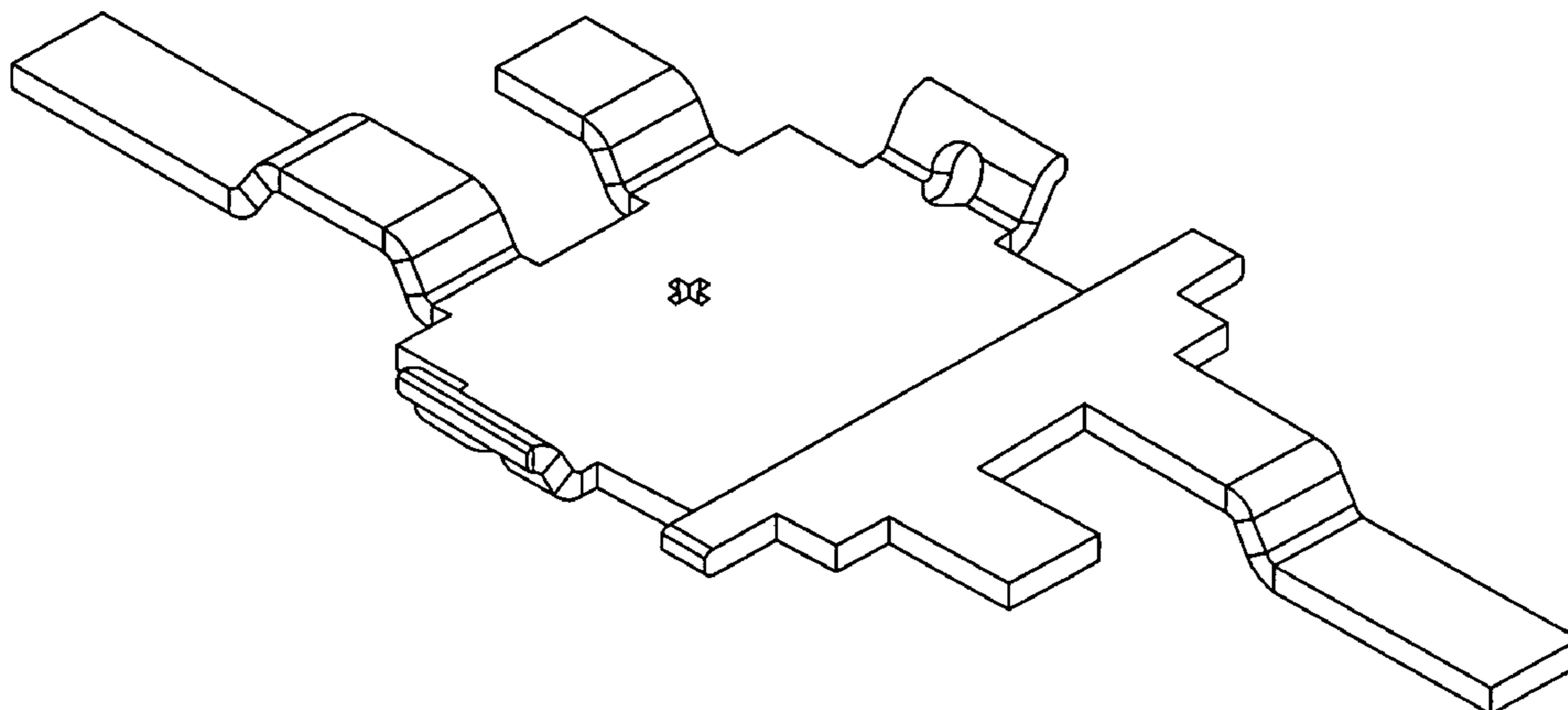
FIG. 4 is a top view of the two-pin lead frame for a LED device of FIG. 1.

FIG. 5 is a bottom view of the two-pin lead frame for a LED device of FIG. 1.

FIG. 6 is a left view of the two-pin lead frame for a LED device of FIG. 1; and,

FIG. 7 is a right view of the two-pin lead frame for a LED device of FIG. 1.

**1 Claim, 4 Drawing Sheets**



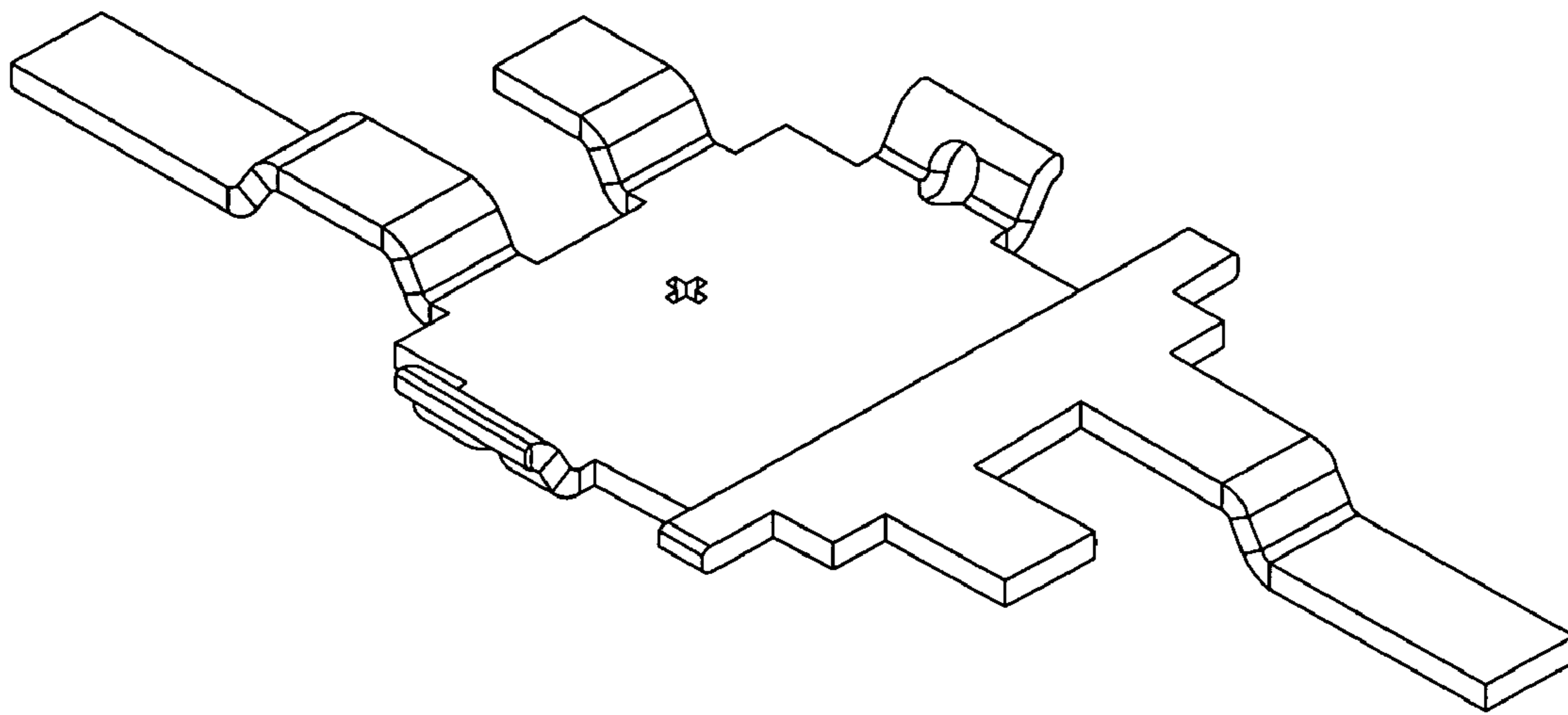


FIG. 1

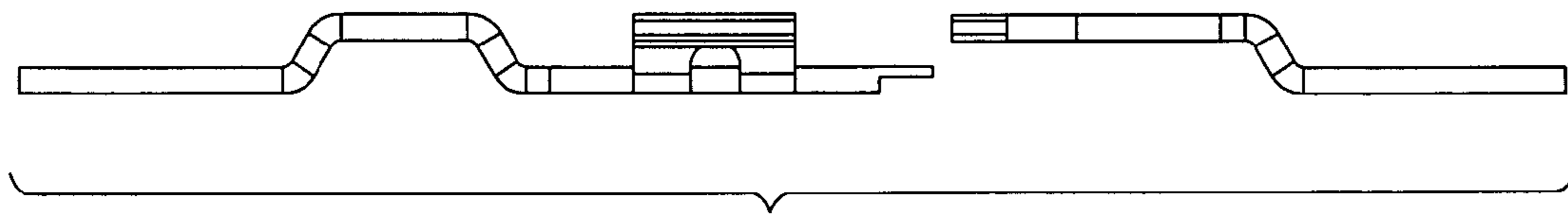


FIG. 2

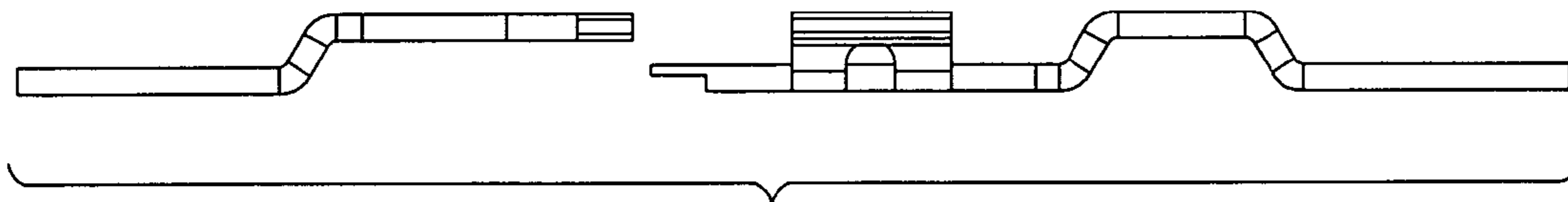


FIG. 3

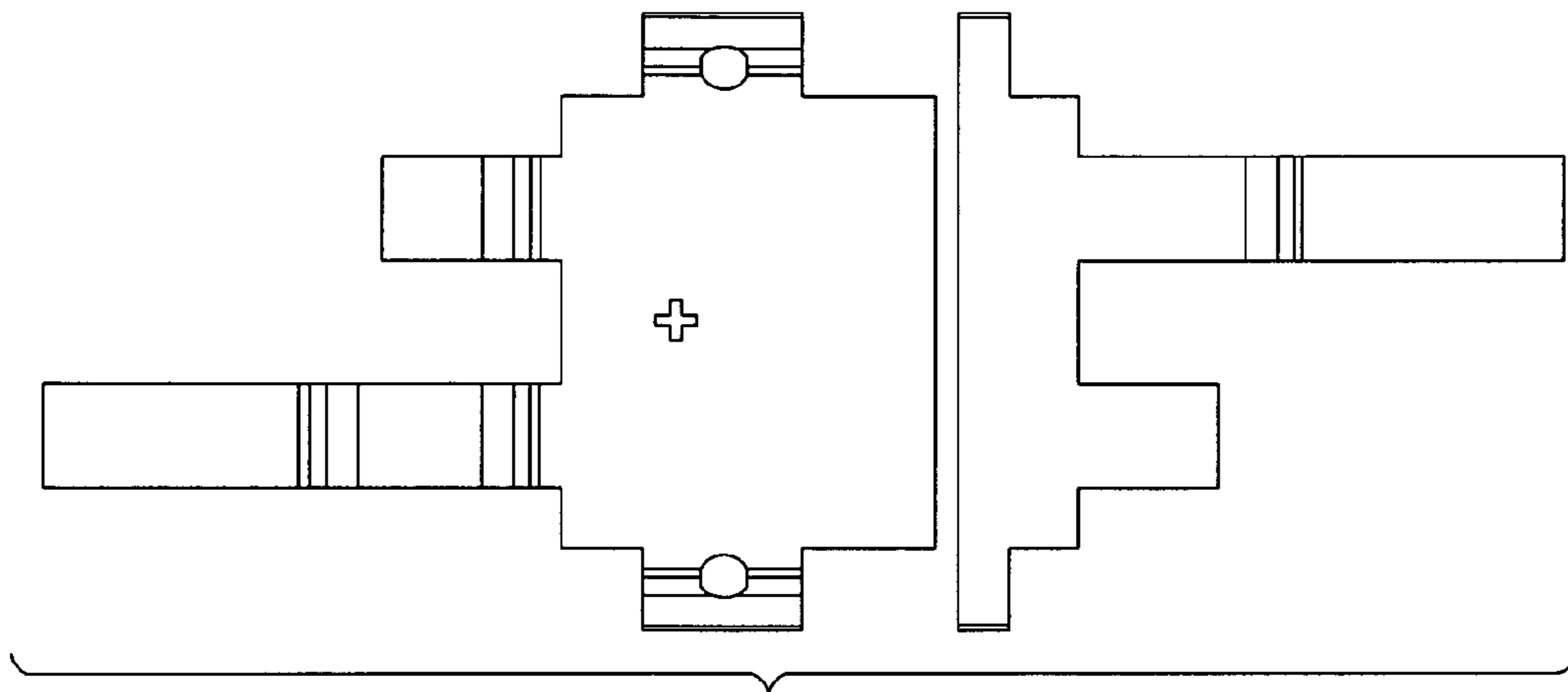


FIG. 4

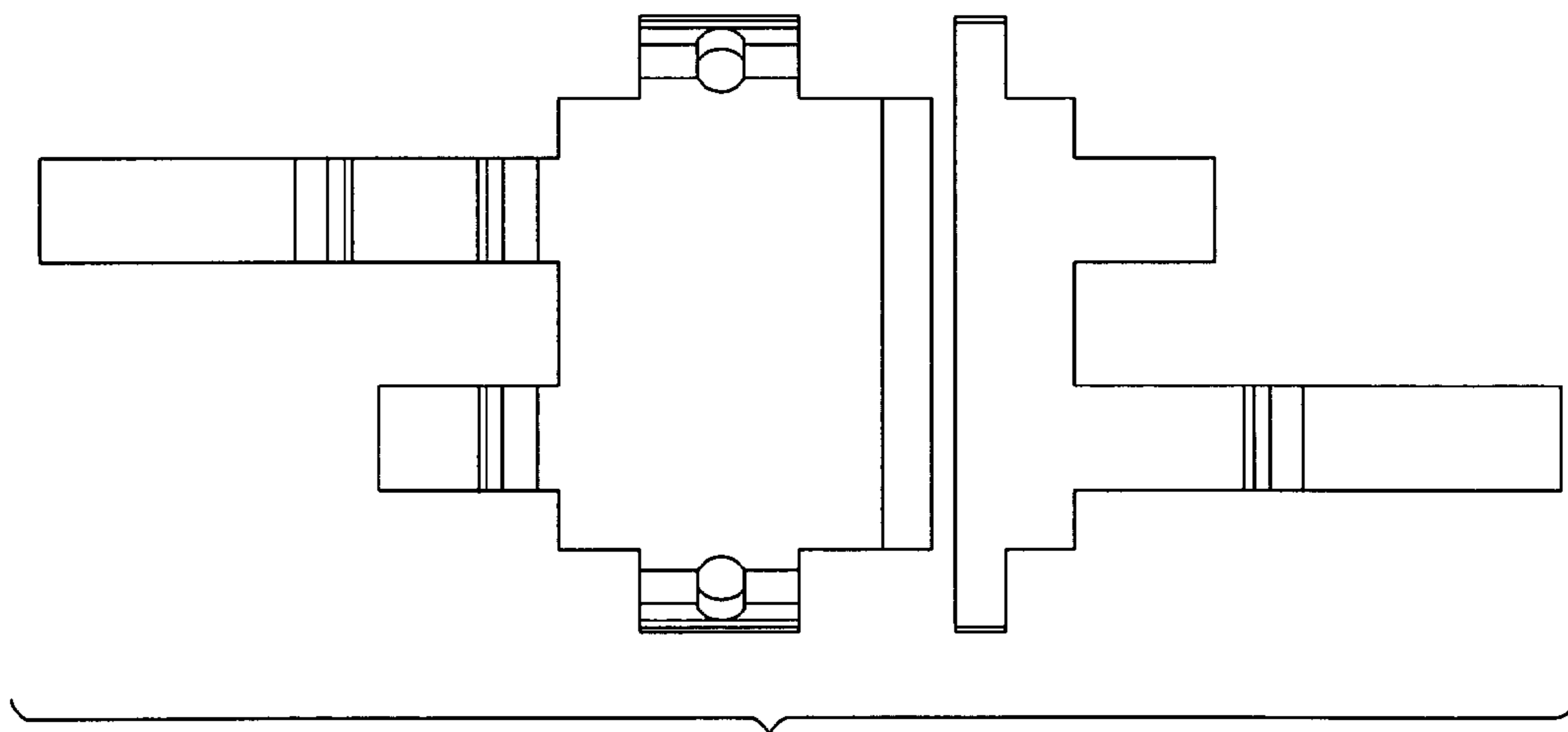


FIG. 5

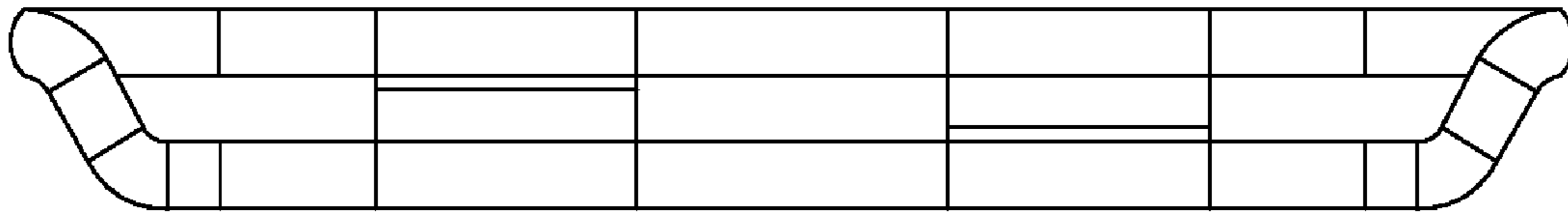


FIG. 6

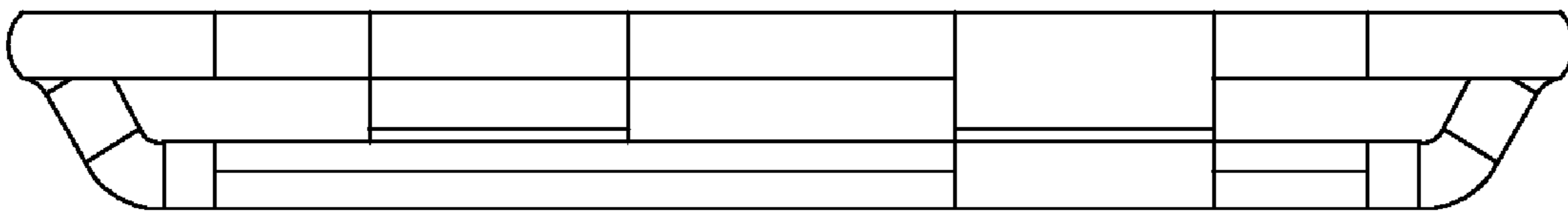


FIG. 7