



US00D613701S

(12) **United States Design Patent**
Hsing-Chen et al.

(10) **Patent No.:** **US D613,701 S**
(45) **Date of Patent:** **** *Apr. 13, 2010**

(54) **LIGHT EMITTING DIODE MODULE**

(75) Inventors: **Chen-Lun Hsing-Chen**, Taoyuan Hsien (TW); **Jung-Hao Hung**, Taoyuan Hsien (TW); **Shih-Hsun Chung**, Taoyuan Hsien (TW); **Wen-Po Tao**, Taoyuan Hsien (TW)

(73) Assignee: **ProLight Opto Technology Corporation**, Taoyuan (TW)

(*) Notice: This patent is subject to a terminal disclaimer.

(**) Term: **14 Years**

(21) Appl. No.: **29/342,424**

(22) Filed: **Aug. 25, 2009**

(51) **LOC (9) Cl.** **13-03**

(52) **U.S. Cl.** **D13/180**

(58) **Field of Classification Search** D13/180;
D26/2; 257/79, 80, 81, 88, 89, 95, 98, 99,
257/100, E33.058; 313/483, 498, 500; 362/555,
362/800

See application file for complete search history.

(56) **References Cited**

U.S. PATENT DOCUMENTS

D477,580 S * 7/2003 Kamada D13/182

6,586,721 B2 * 7/2003 Estevez-Garcia 250/221
D512,029 S * 11/2005 Kim et al. D13/180
D517,027 S * 3/2006 Suenaga D13/180
7,153,000 B2 * 12/2006 Park et al. 362/268
D576,568 S * 9/2008 Chen et al. D13/180
D594,827 S * 6/2009 Loh et al. D13/182
2004/0041222 A1 * 3/2004 Loh 257/433
2004/0126913 A1 * 7/2004 Loh 438/26

* cited by examiner

Primary Examiner—Selina Sikder

(74) *Attorney, Agent, or Firm*—Chun-Ming Shih

(57) **CLAIM**

The ornamental design for a light emitting diode module, as shown and described.

DESCRIPTION

FIG. 1 is a perspective view of a light emitting diode module showing my new design;

FIG. 2 is a front view thereof;

FIG. 3 is a rear view thereof;

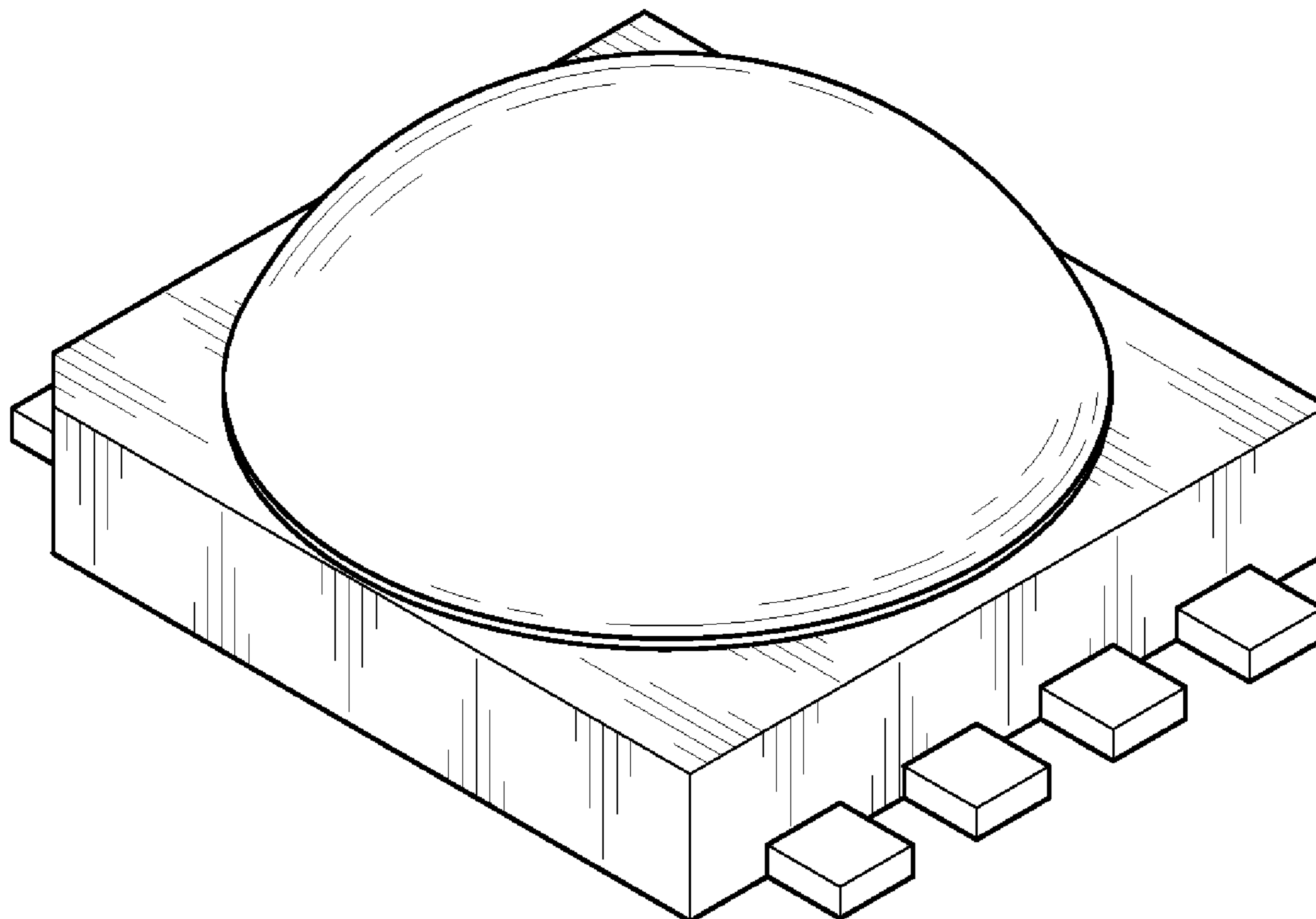
FIG. 4 is a left side view thereof;

FIG. 5 is a right side view thereof;

FIG. 6 is a top view thereof; and,

FIG. 7 is a bottom view thereof.

1 Claim, 4 Drawing Sheets



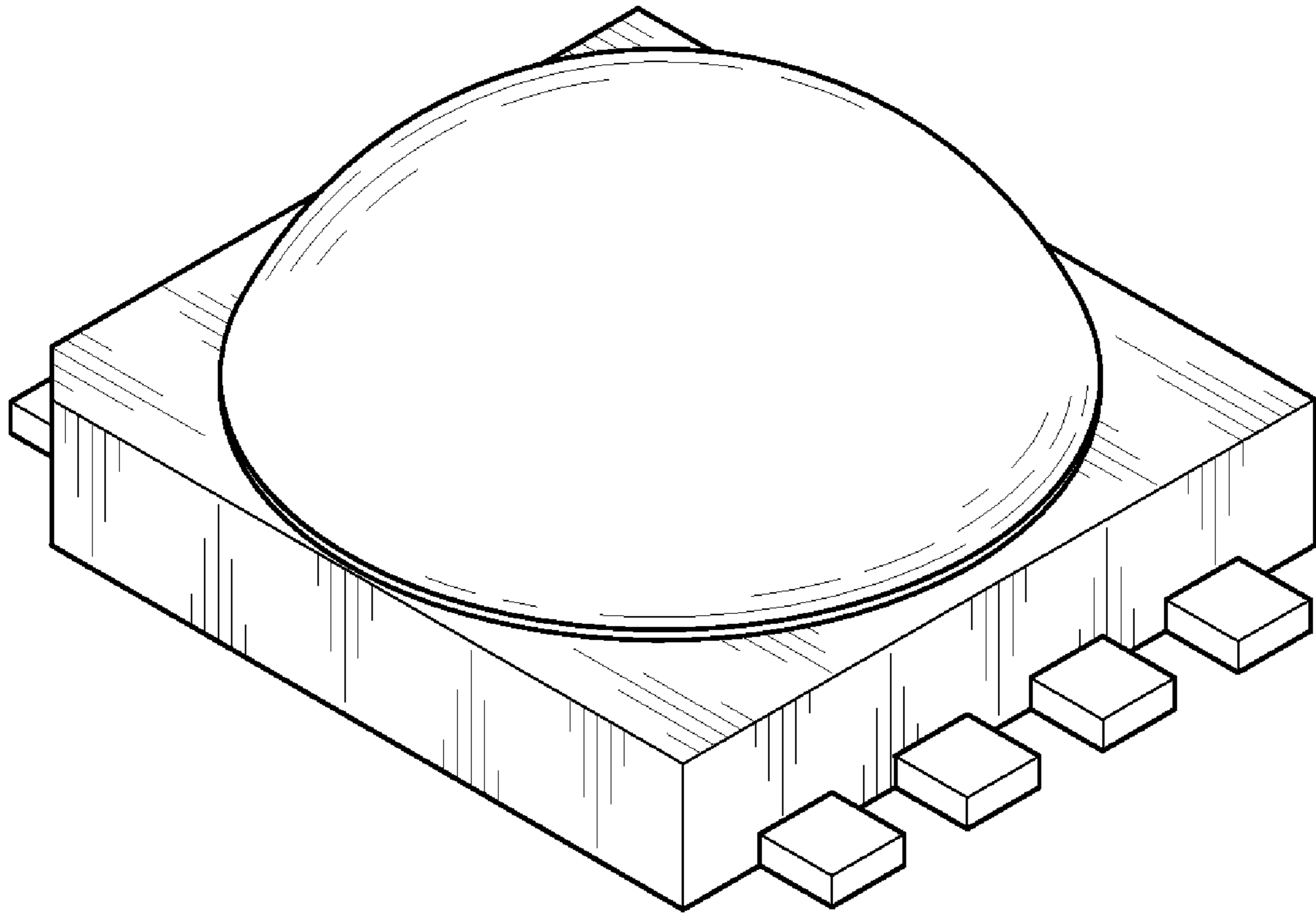


FIG. 1

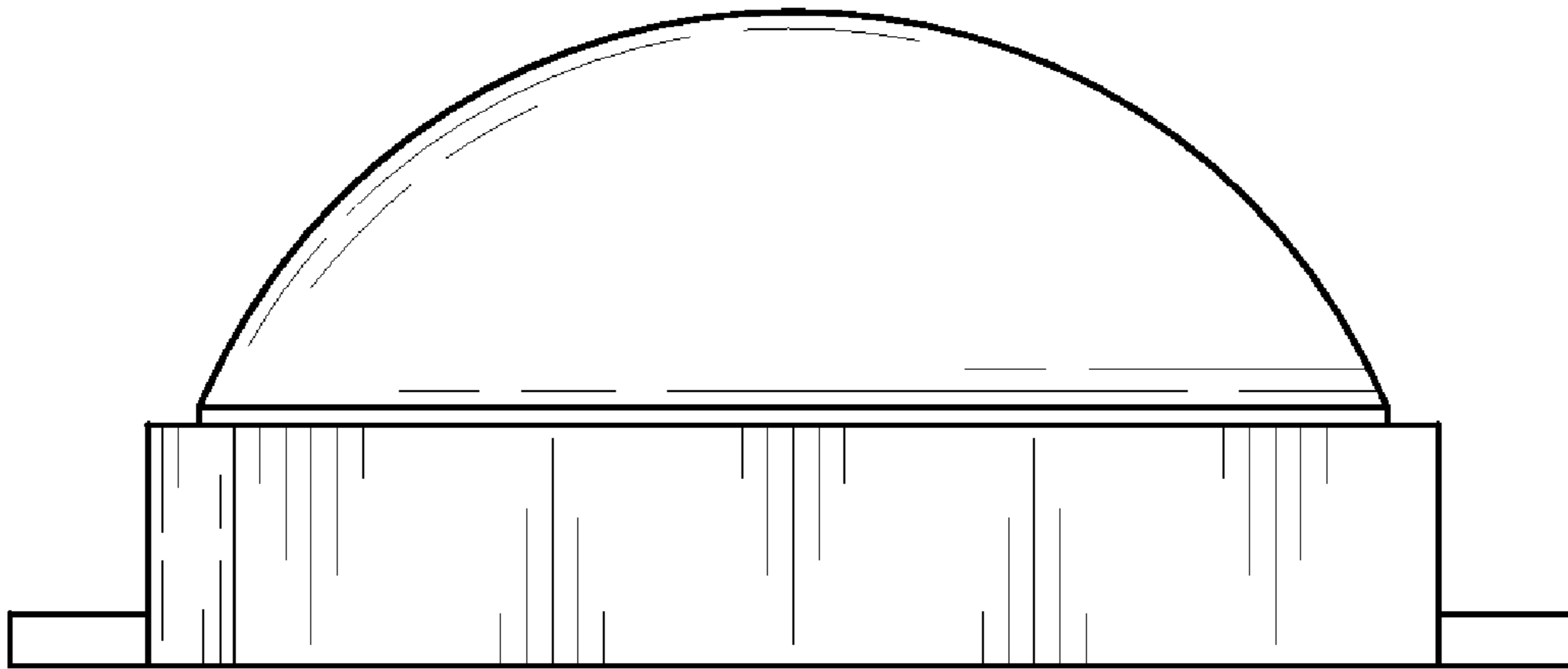


FIG. 2

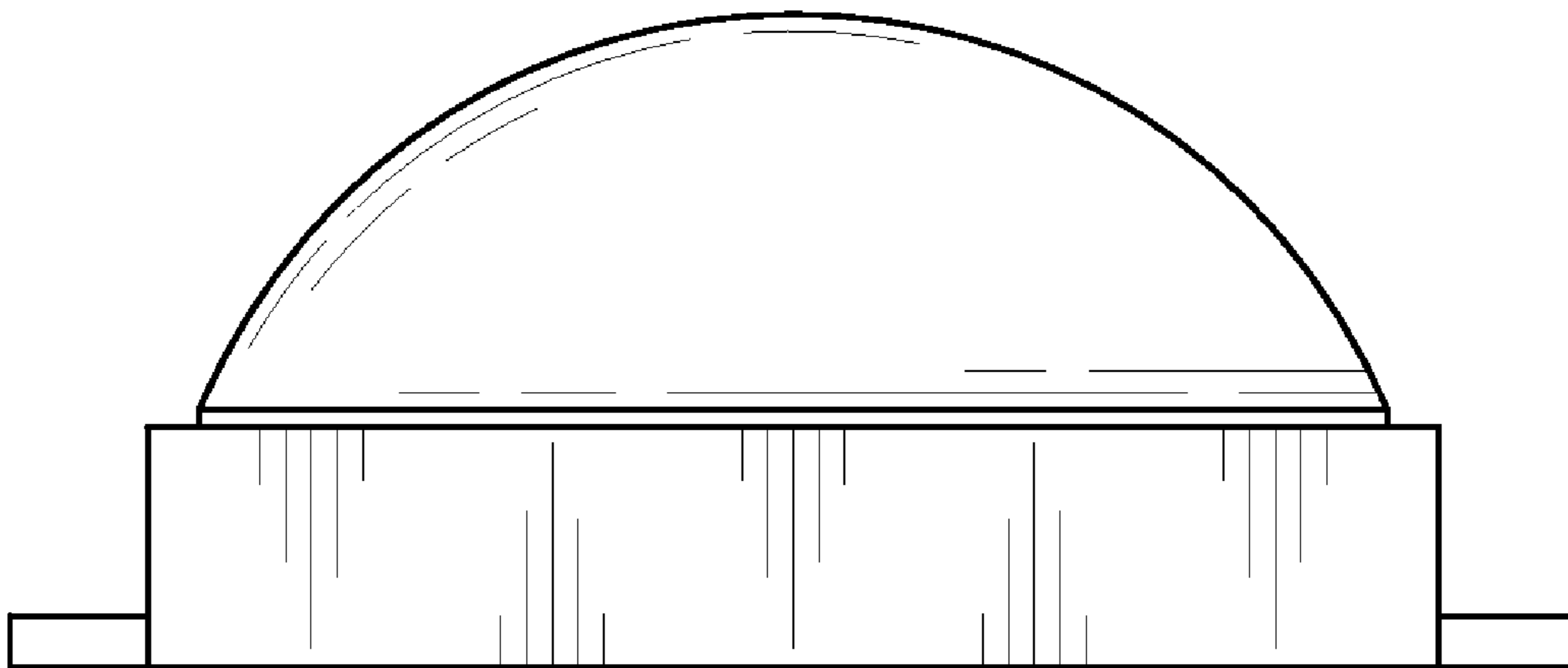


FIG. 3

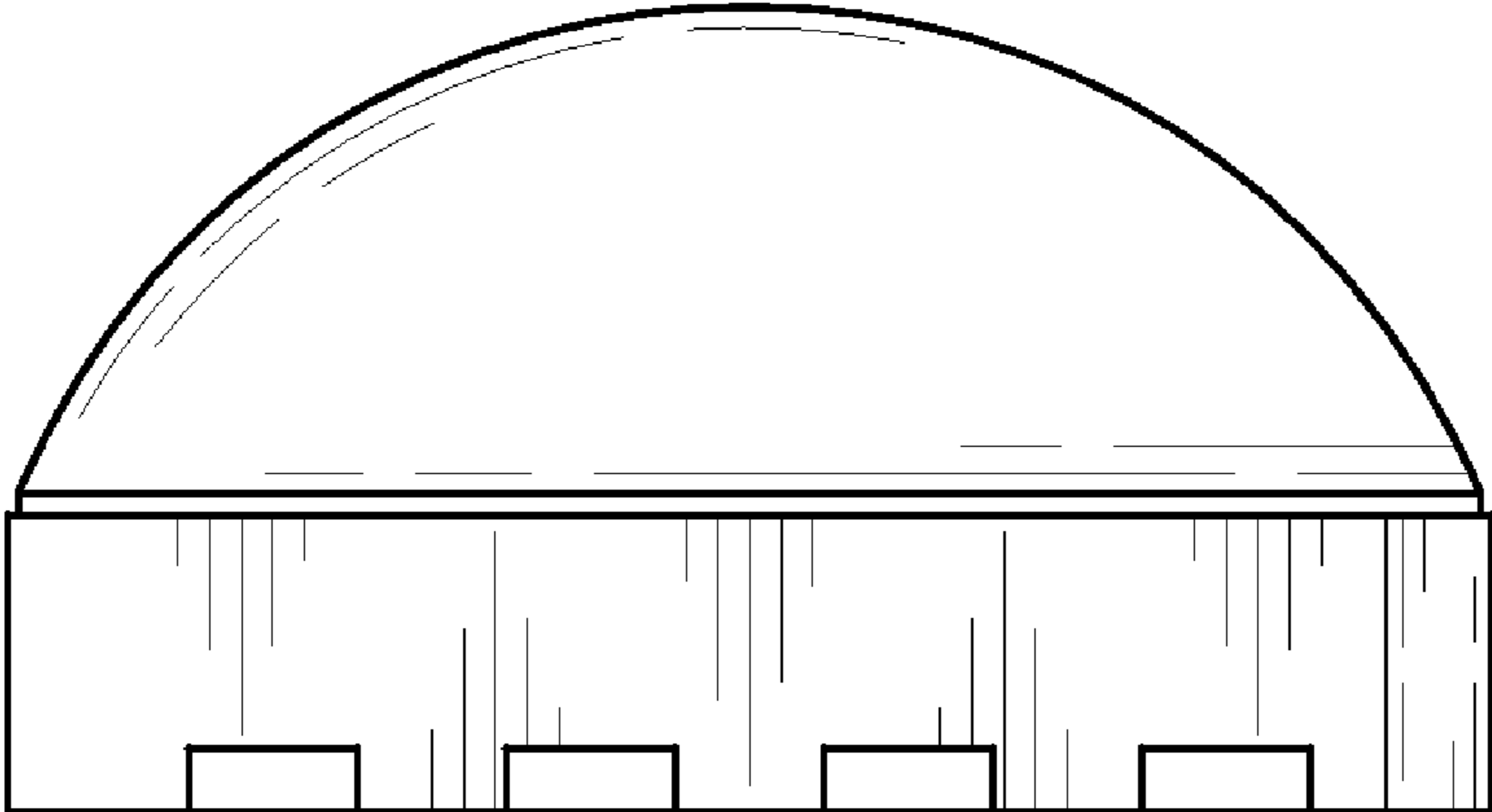


FIG. 4

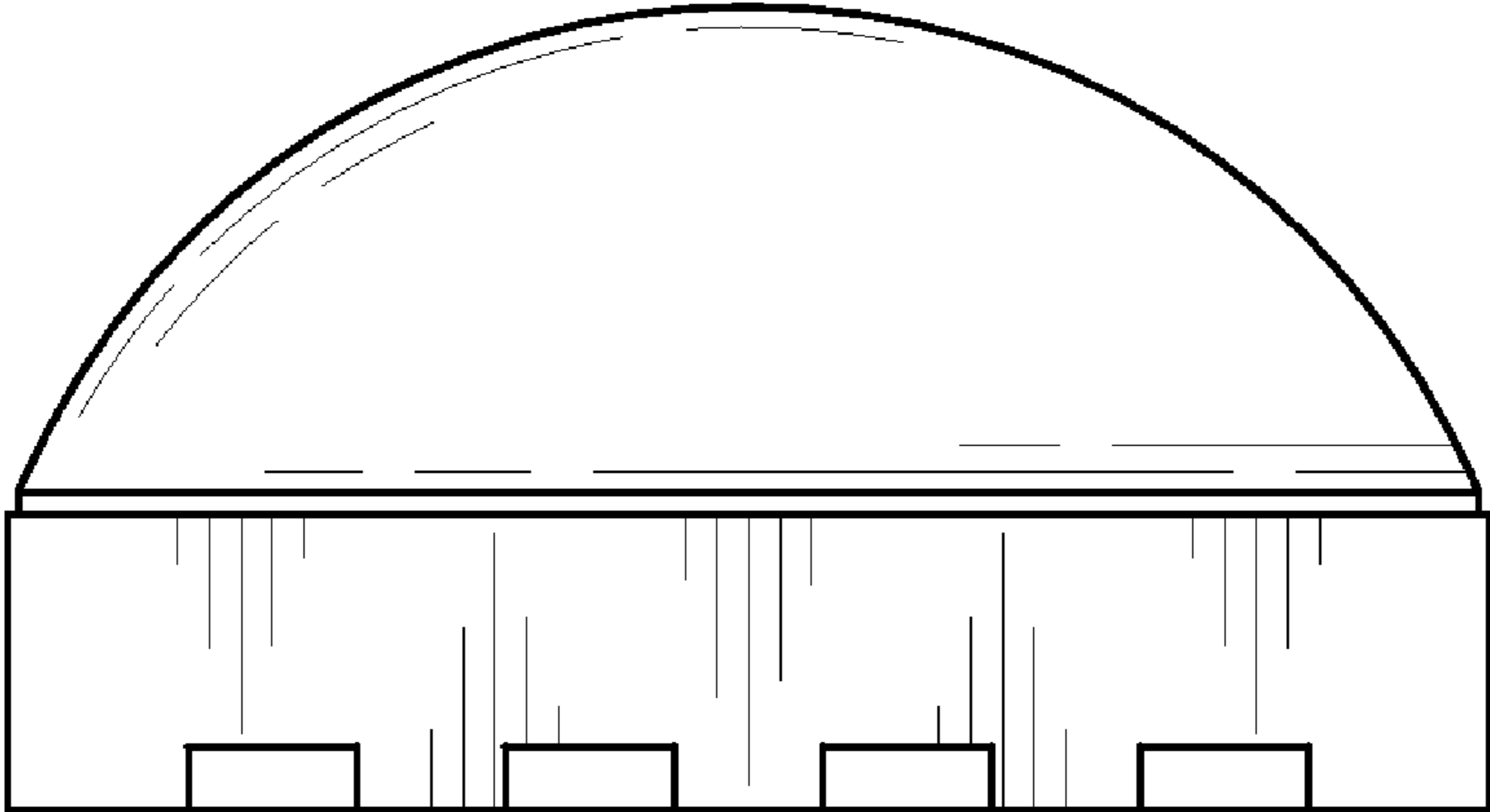


FIG. 5

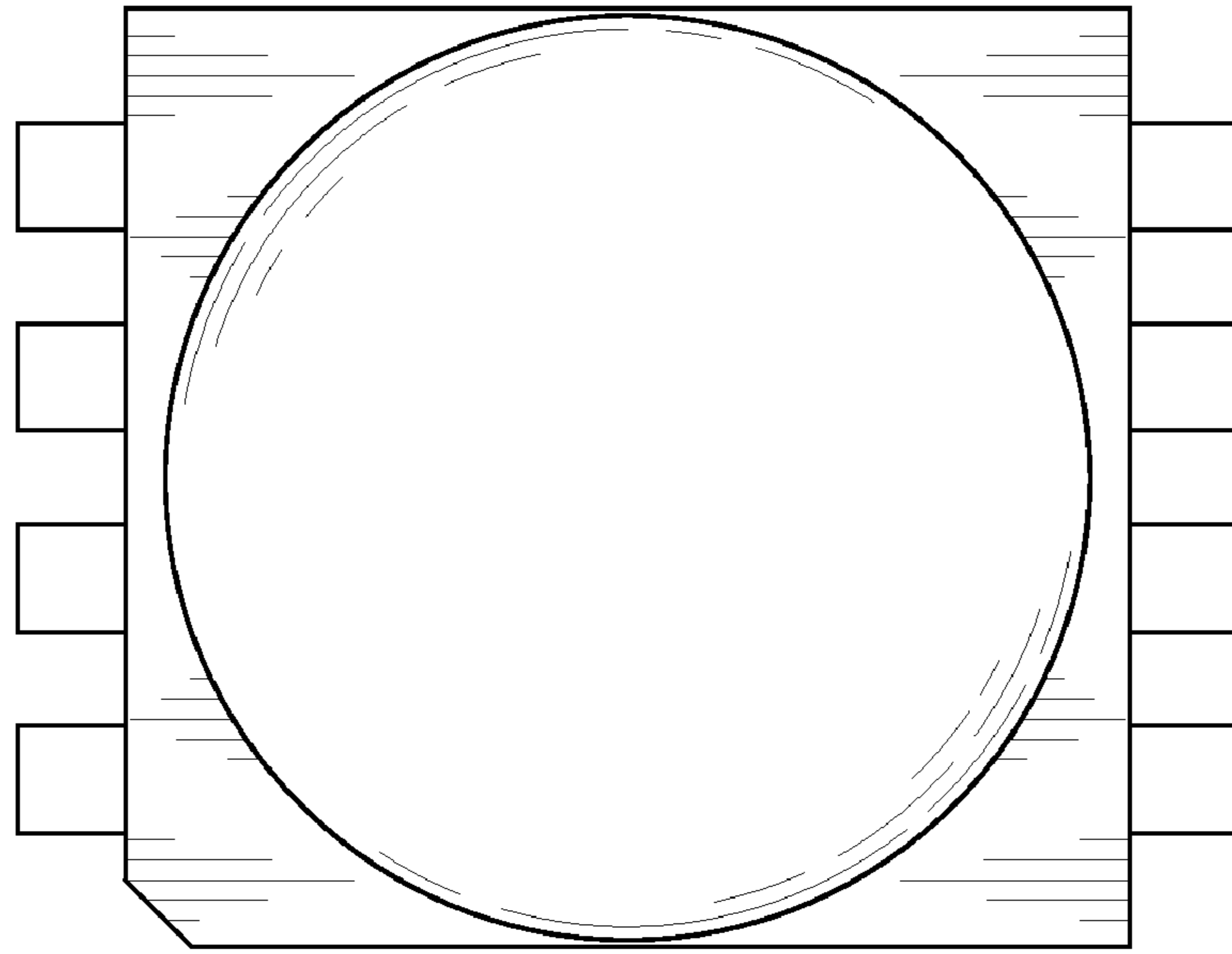


FIG. 6

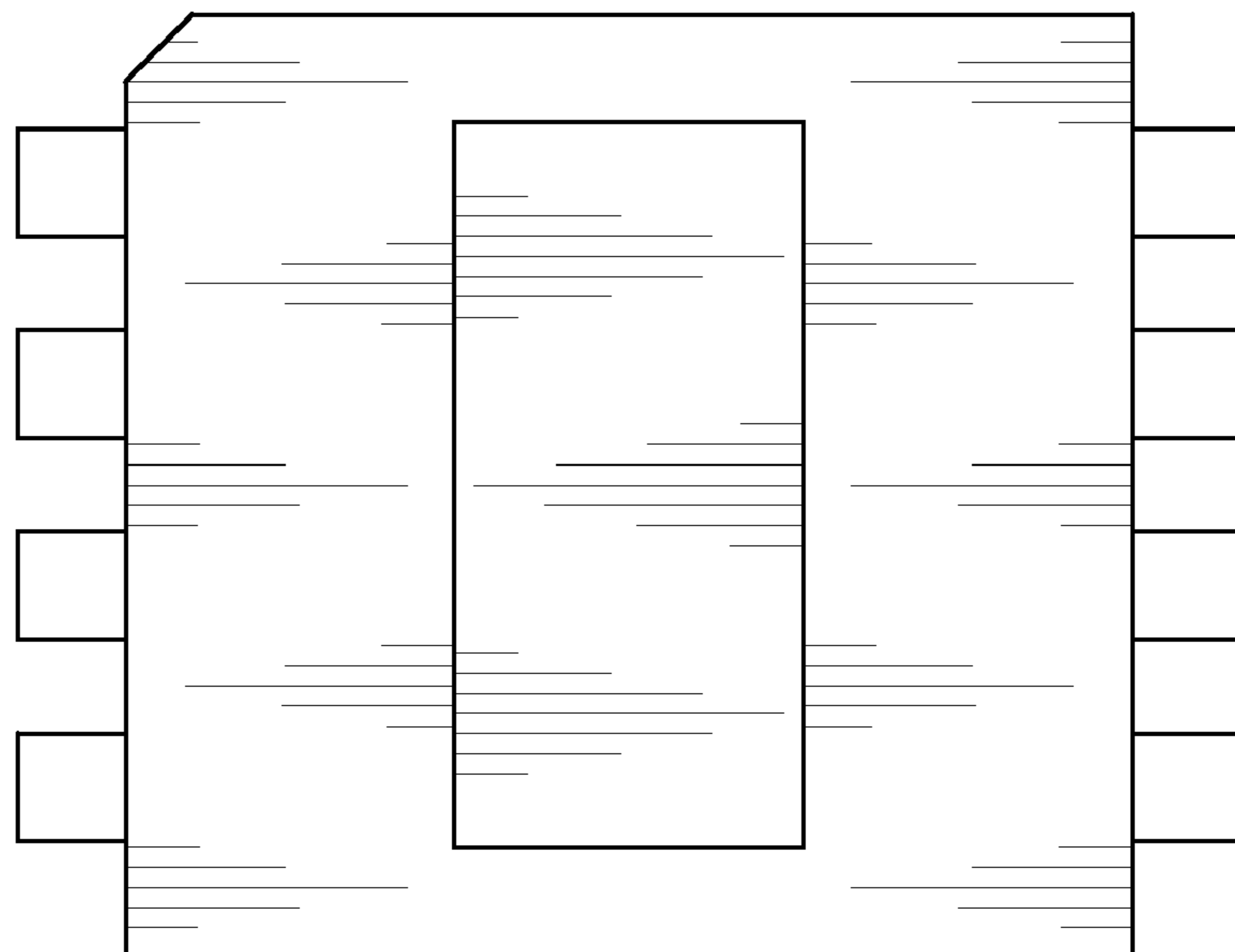


FIG. 7