

US00D613700S

(12) **United States Design Patent**
Horng et al.

(10) **Patent No.:** **US D613,700 S**
(45) **Date of Patent:** **** Apr. 13, 2010**

(54) **BLOWER CASING**

(75) Inventors: **Alex Horng**, Kaohsiung (TW); **Tso-Kuo Yin**, Kaohsiung (TW)

(73) Assignee: **Sunonwealth Electric Machine Industry Co., Ltd.**, Kaohsiung (TW)

(**) Term: **14 Years**

(21) Appl. No.: **29/300,213**

(22) Filed: **Feb. 29, 2008**

Related U.S. Application Data

(63) Continuation-in-part of application No. 29/272,247, filed on Feb. 5, 2007, now Pat. No. Des. 582,358.

Foreign Application Priority Data

Oct. 5, 2006 (TW) 95305556

(51) **LOC (9) Cl.** **13-03**

(52) **U.S. Cl.** **D13/179**

(58) **Field of Classification Search** D13/179;
165/80.3, 104.33, 151, 122, 185; 257/706,
257/707, 718-722; 361/687, 695, 697, 700,
361/702, 704, 709, 710, 711, 719; 310/62,
310/63, 67 R; 415/176; 417/354, 423.15,
417/423.7; D23/370, 411

See application file for complete search history.

(56) **References Cited**

U.S. PATENT DOCUMENTS

4,885,488 A * 12/1989 Cox 310/68 R
5,297,617 A 3/1994 Herbert
D356,777 S 3/1995 Katsui et al.
D357,900 S 5/1995 Katsui et al.
5,419,780 A 5/1995 Suski

5,484,262 A 1/1996 Thomas et al.
5,494,098 A 2/1996 Morosas
5,539,263 A * 7/1996 Lee 310/67 R
5,597,034 A 1/1997 Barker, III et al.
5,704,419 A 1/1998 Agonafer et al.
5,879,141 A * 3/1999 Yokozawa et al. 417/423.7
6,345,664 B1 2/2002 Katsui
6,509,704 B1 * 1/2003 Brown 318/400.41
6,533,559 B2 * 3/2003 Hsieh 417/423.5
6,655,929 B2 12/2003 Hsieh
7,121,697 B2 * 10/2006 Hsu 362/386
2002/0057022 A1 * 5/2002 Yamamoto 310/58
2003/0015311 A1 1/2003 Lin et al.
2007/0114859 A1 * 5/2007 Chen et al. 310/63
2007/0194668 A1 * 8/2007 Teshima et al. 310/67 R

* cited by examiner

Primary Examiner—Selina Sikder

(74) *Attorney, Agent, or Firm*—Bacon & Thomas, PLLC

(57) **CLAIM**

The ornamental design for blower casing, as shown and described.

DESCRIPTION

FIG. 1 is a perspective view of the blower casing in accordance with the claimed design;

FIG. 2 is a front elevation view thereof;

FIG. 3 is a rear elevation view thereof;

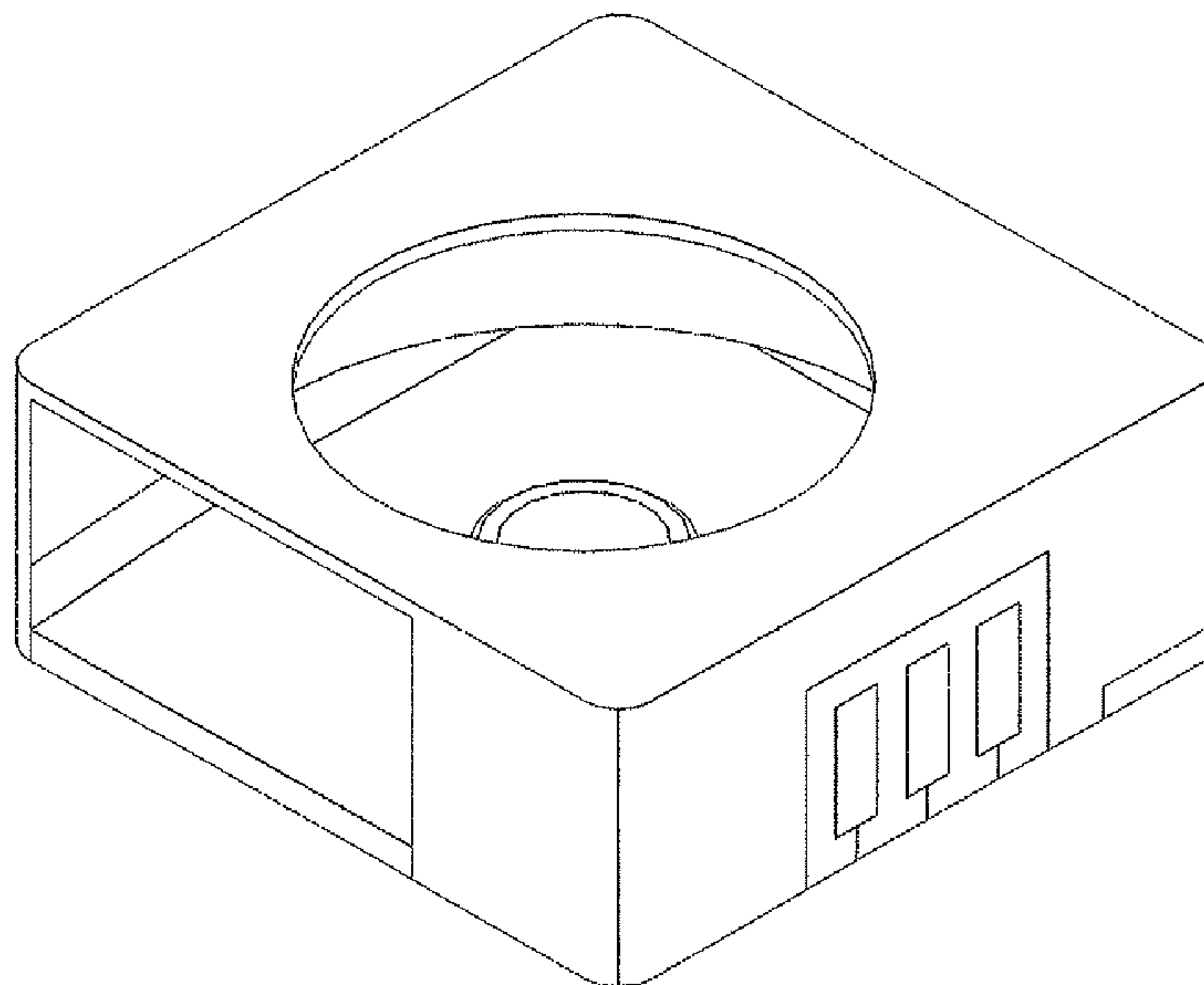
FIG. 4 is a left side elevation view thereof;

FIG. 5 is a right side elevation view thereof;

FIG. 6 is a top plan view thereof; and,

FIG. 7 is a bottom plan view thereof wherein the broken lines define portions of the blower casing that form no part of the claimed design.

1 Claim, 4 Drawing Sheets



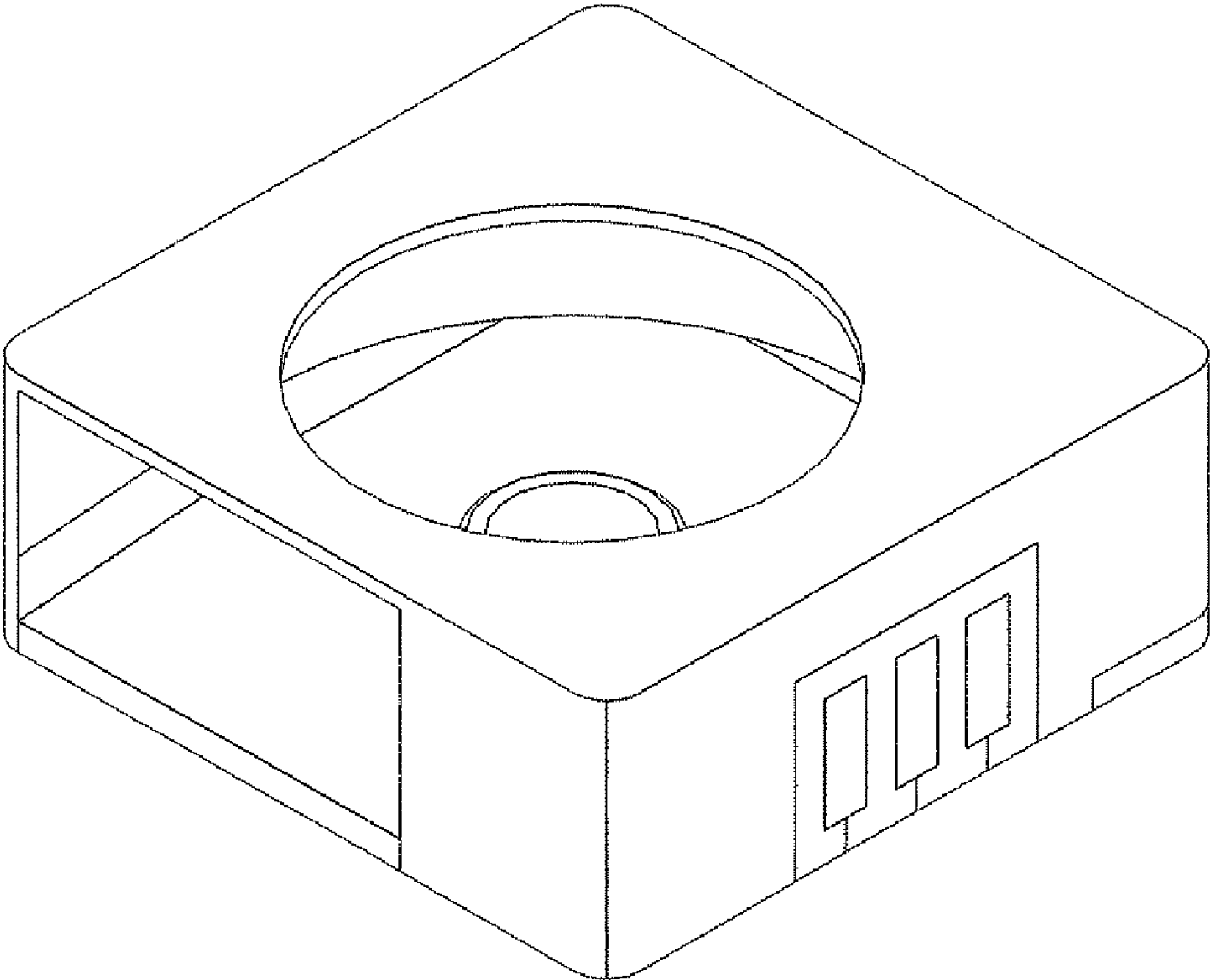


FIG. 1

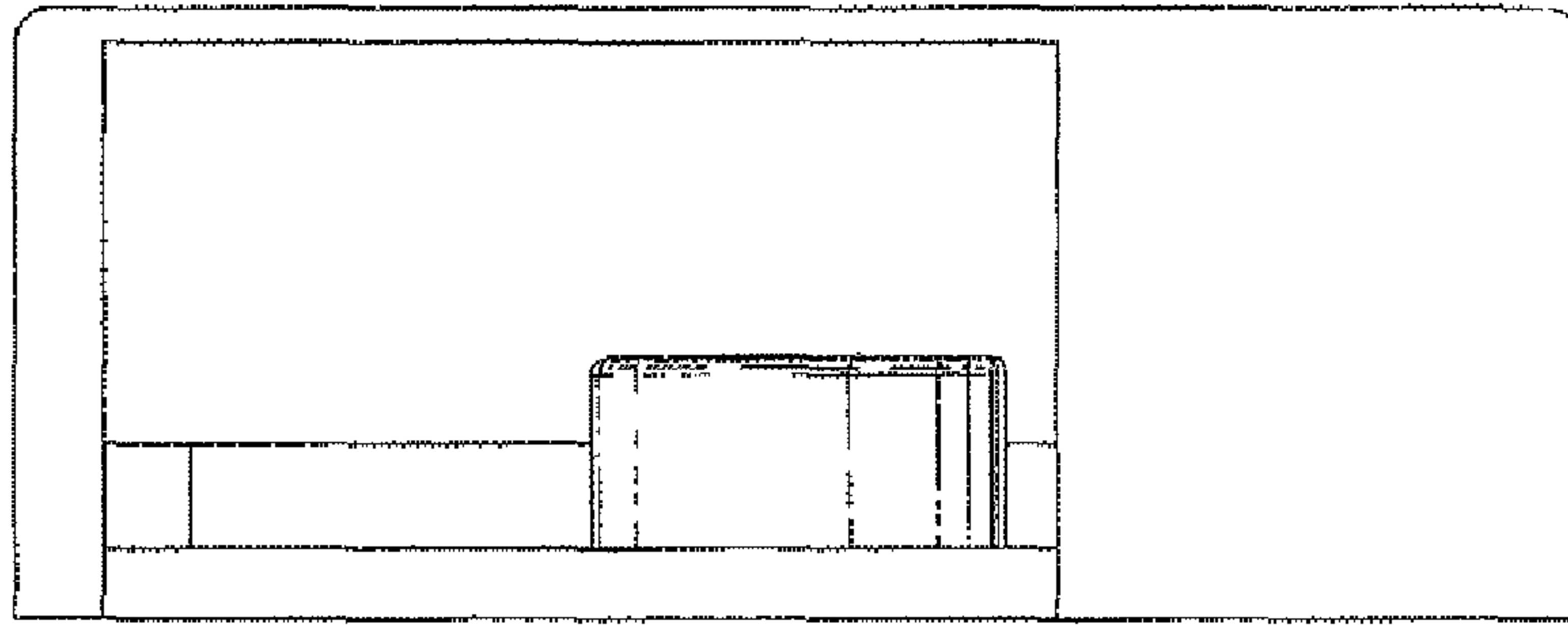


FIG. 2

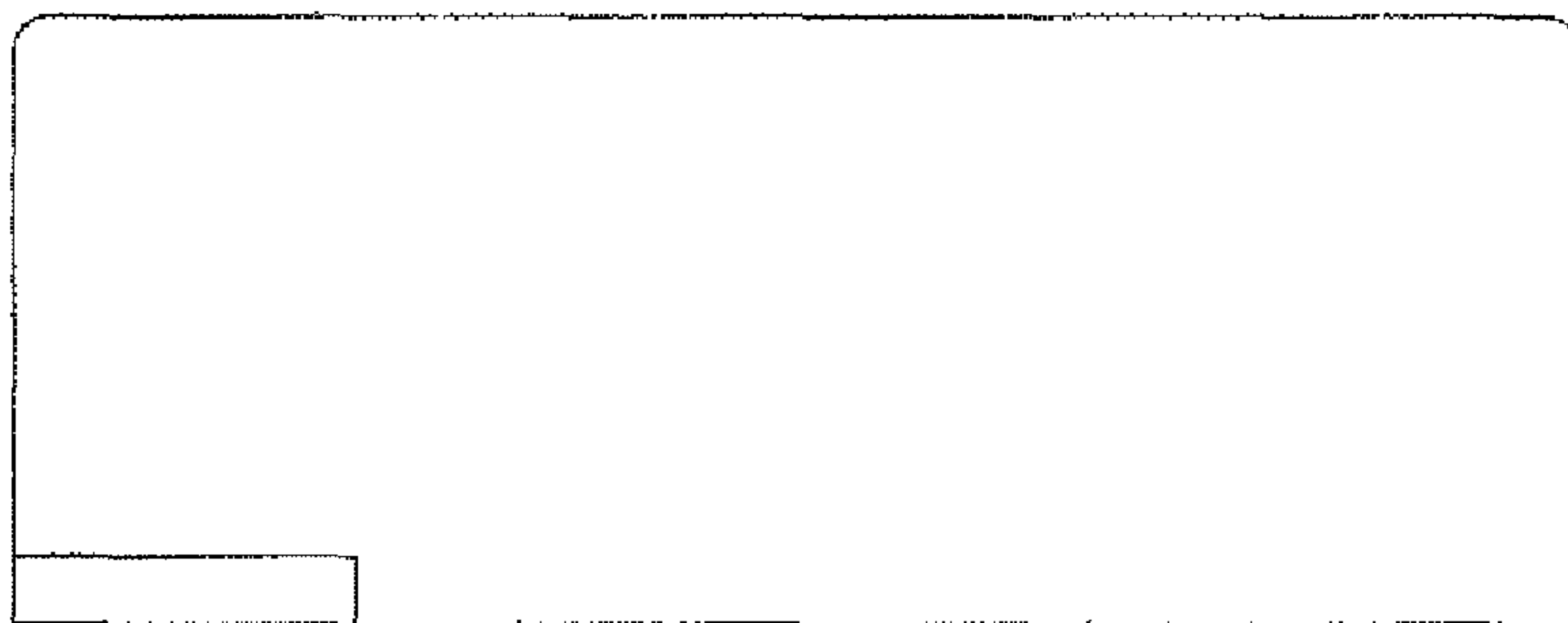


FIG. 3

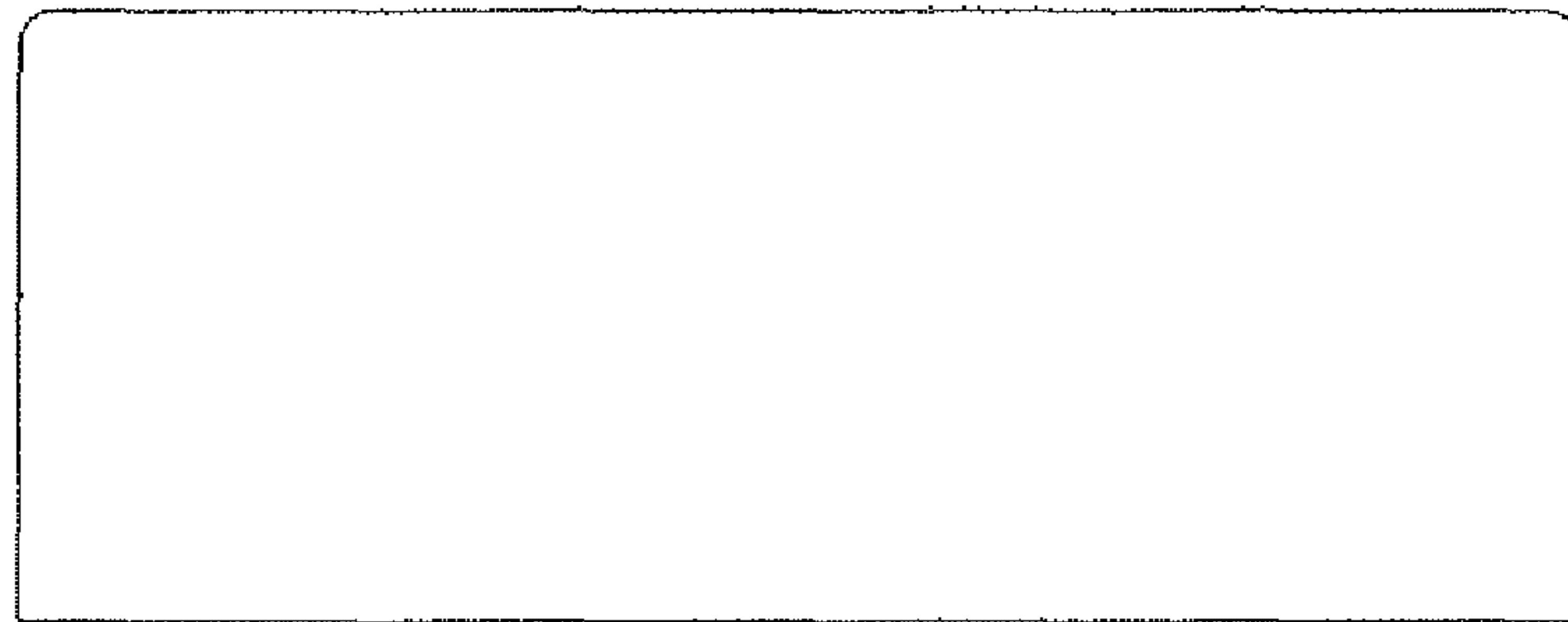


FIG. 4

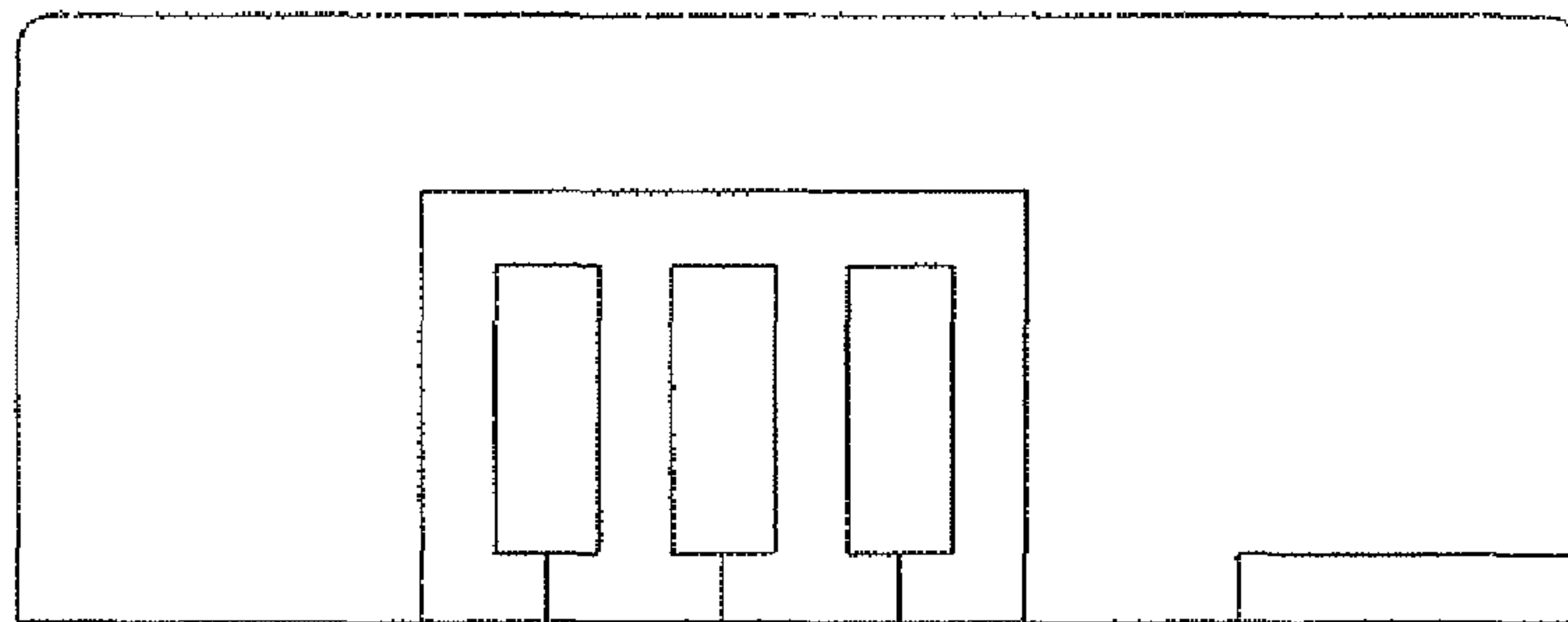


FIG. 5

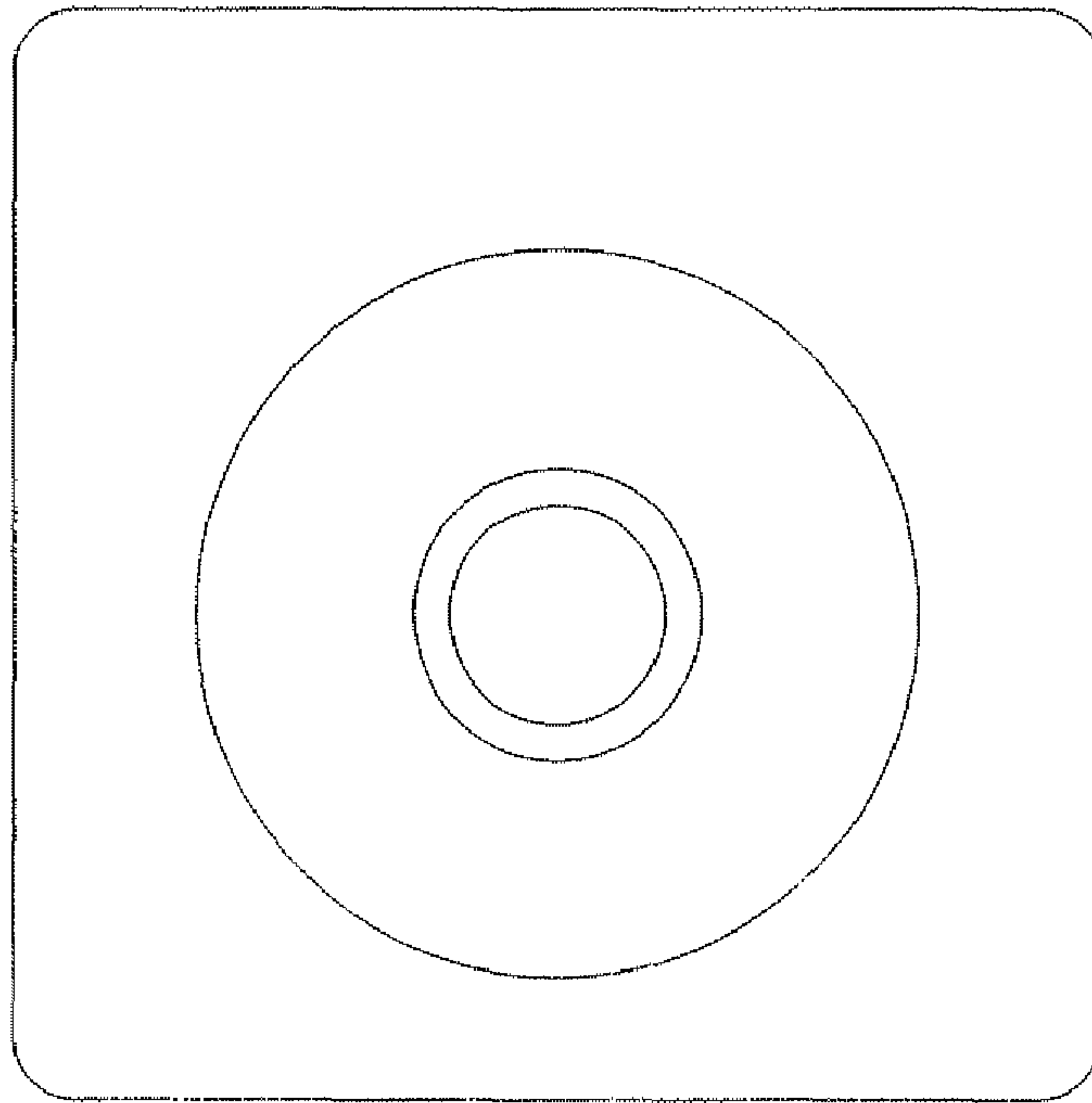


FIG. 6

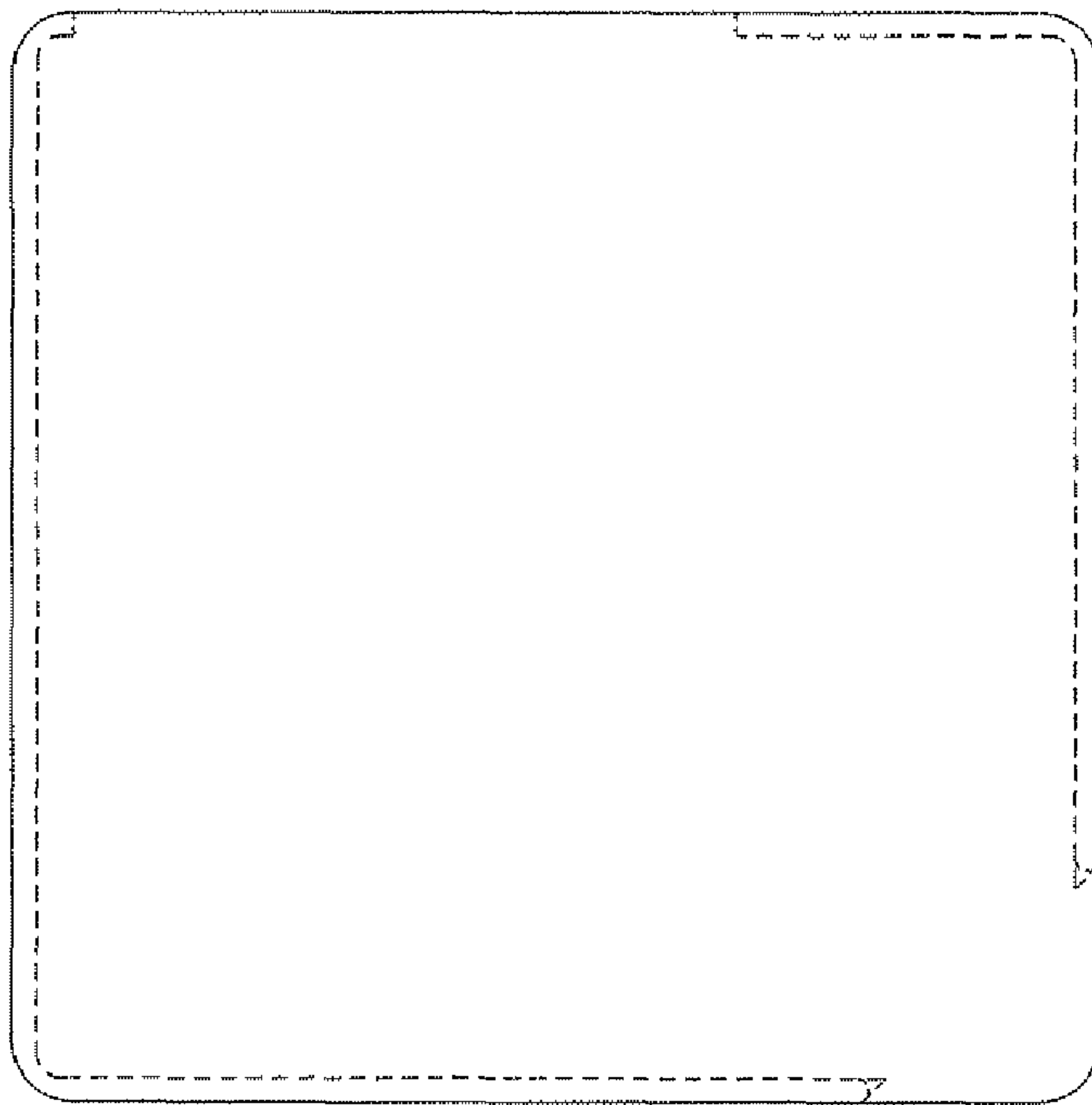


FIG. 7