



(12) **United States Design Patent**
Symons

(10) **Patent No.:** **US D613,697 S**
(45) **Date of Patent:** **** Apr. 13, 2010**

(54) **CONTAINER WITH LID FOR STORING
POWER CORDS AND CABLES FOR
ELECTRONIC DEVICES**

(75) Inventor: **Dominic Symons**, Pasadena, CA (US)

(73) Assignee: **Blue Lounge Design, LLC**, Pasadena,
CA (US)

(**) Term: **14 Years**

(21) Appl. No.: **29/326,698**

(22) Filed: **Oct. 22, 2008**

(51) **LOC (9) Cl.** **13-03**

(52) **U.S. Cl.** **D13/149**

(58) **Field of Classification Search** D13/154,
D13/149, 137.4, 139.8, 139.9, 133, 156, 184,
D13/199; 439/369, 375
See application file for complete search history.

(56) **References Cited**

U.S. PATENT DOCUMENTS

5,099,088	A *	3/1992	Usami et al.	174/76
D332,940	S *	2/1993	Finlay	D13/154
5,844,171	A *	12/1998	Fitzgerald	174/92
5,913,692	A *	6/1999	Targett	439/369
D473,524	S *	4/2003	Koehler	D13/156
7,141,738	B2 *	11/2006	Marsac et al.	174/92
D586,757	S *	2/2009	Minnick	D13/156
2004/0097120	A1 *	5/2004	Limber et al.	439/369

OTHER PUBLICATIONS

Oct. 22, 2008 internet printout of www.wirestall.com; unknown publ. date; 4 pages.

Oct. 22, 2008 internet printout from Wayback Machine; www.archive.org for "www.wirestall.com"; 1 page.

Oct. 22, 2008 internet printout from www.networksolutions.com—WHOIS search for "wirestall.com"; 3 pages.

Oct. 22, 2008 internet printout from www.google.com for "wirestall"; 2 pages.

Oct. 22, 2008 internet printout from http://shop.pelican-waters.com/main.sc; 1 page.

Oct. 22, 2008 internet printout from www.archive.org for http://shop.pelican-waters.com/main.sc; http://shop.pelican-waters.com; http://pelican-waters.com; 3 pages.

* cited by examiner

Primary Examiner—Daniel D Bui

Assistant Examiner—Thomas J Johannes

(74) *Attorney, Agent, or Firm*—Law Office of David Hong

(57) **CLAIM**

The ornamental design for a container with lid for storing power cords and cables for electronic devices, as shown and described.

DESCRIPTION

FIG. 1 is a perspective view of a container with lid for storing power cords and cables for electronic devices showing my new design;

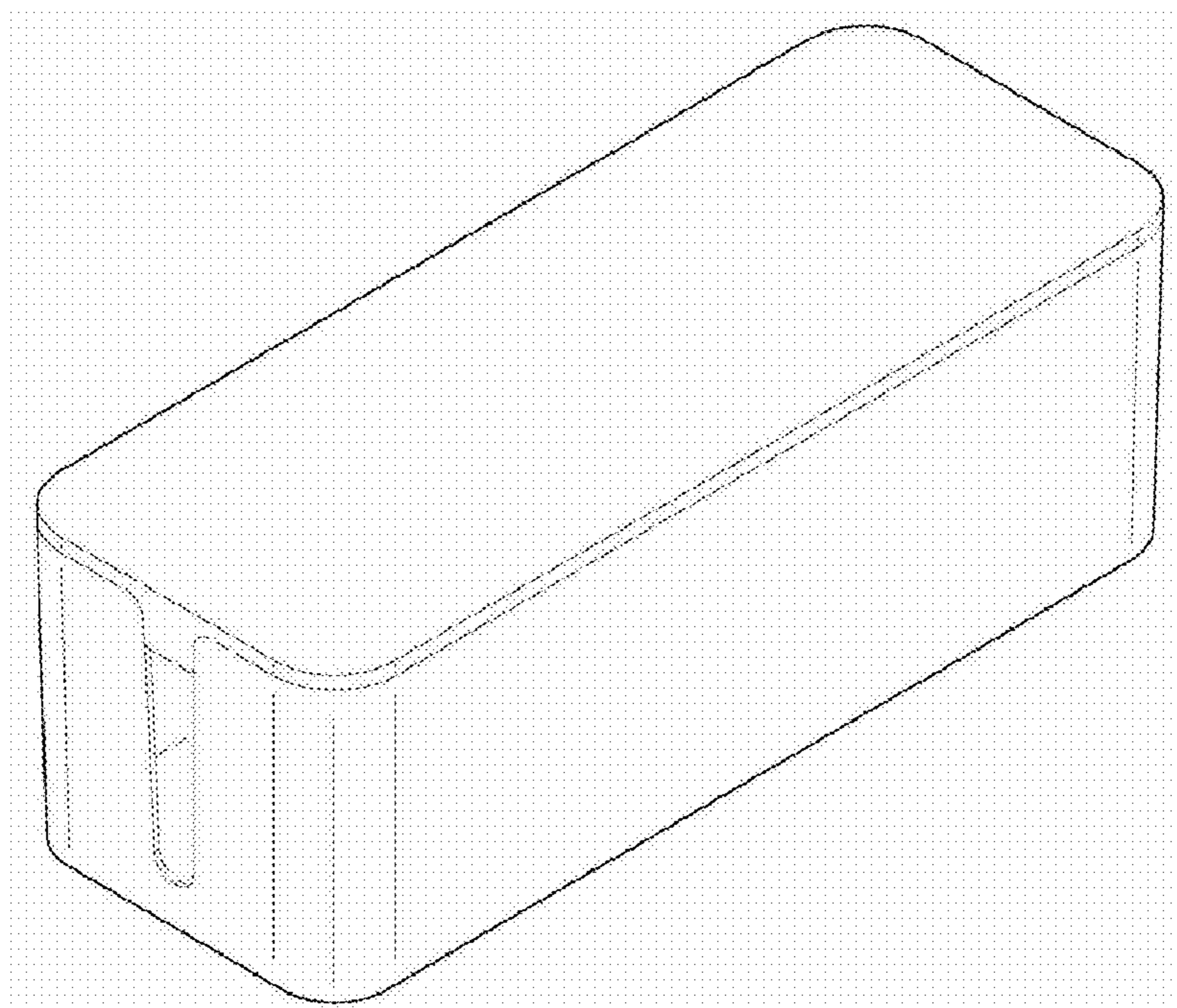
FIG. 2 is a front elevation view thereof; the rear elevation view is a mirror image thereto;

FIG. 3 is a first side elevation view thereof; the second side elevation view is mirror image thereto;

FIG. 4 is a top view thereof; and,

FIG. 5 is a bottom view thereof;

1 Claim, 5 Drawing Sheets



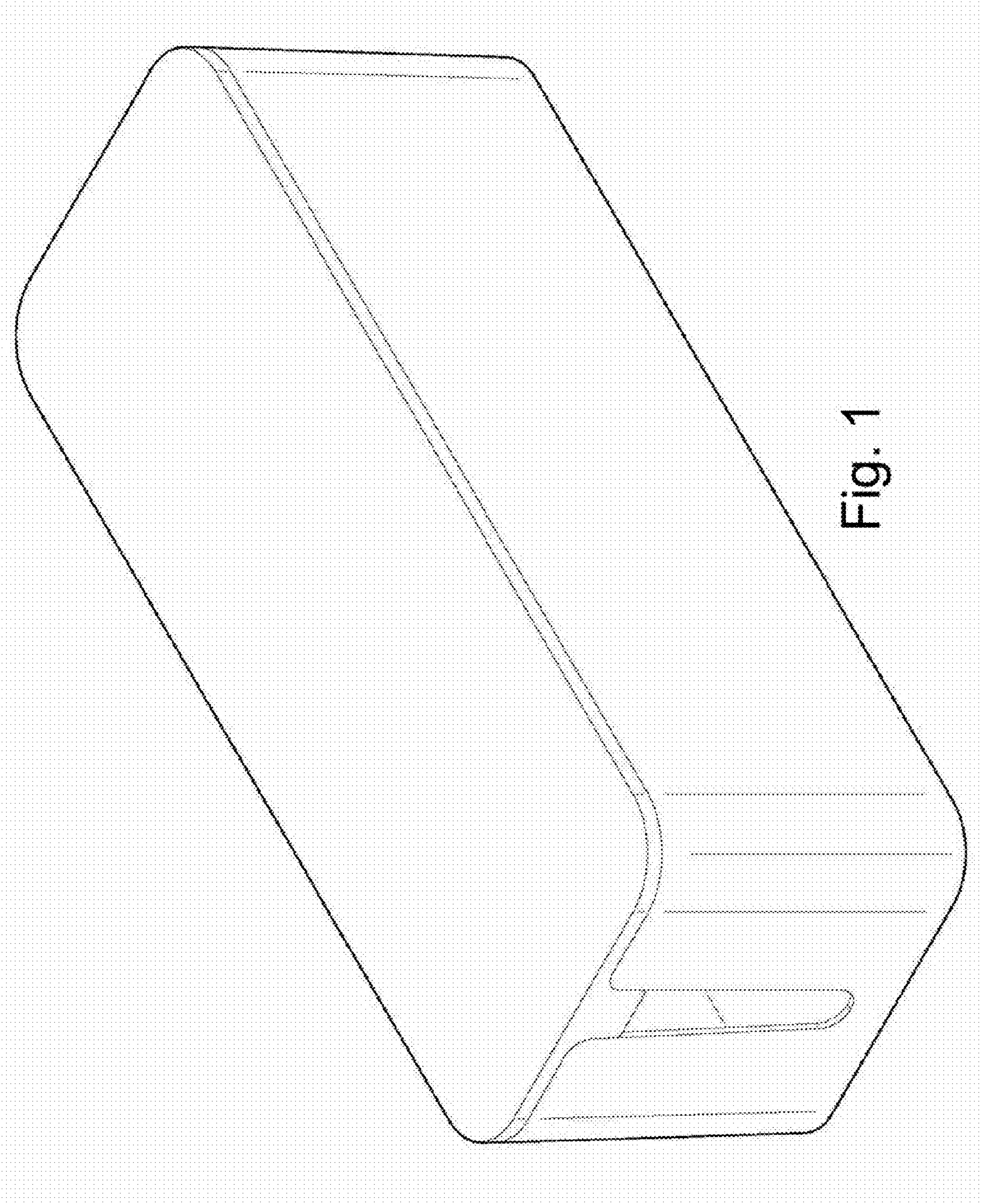


Fig. 1

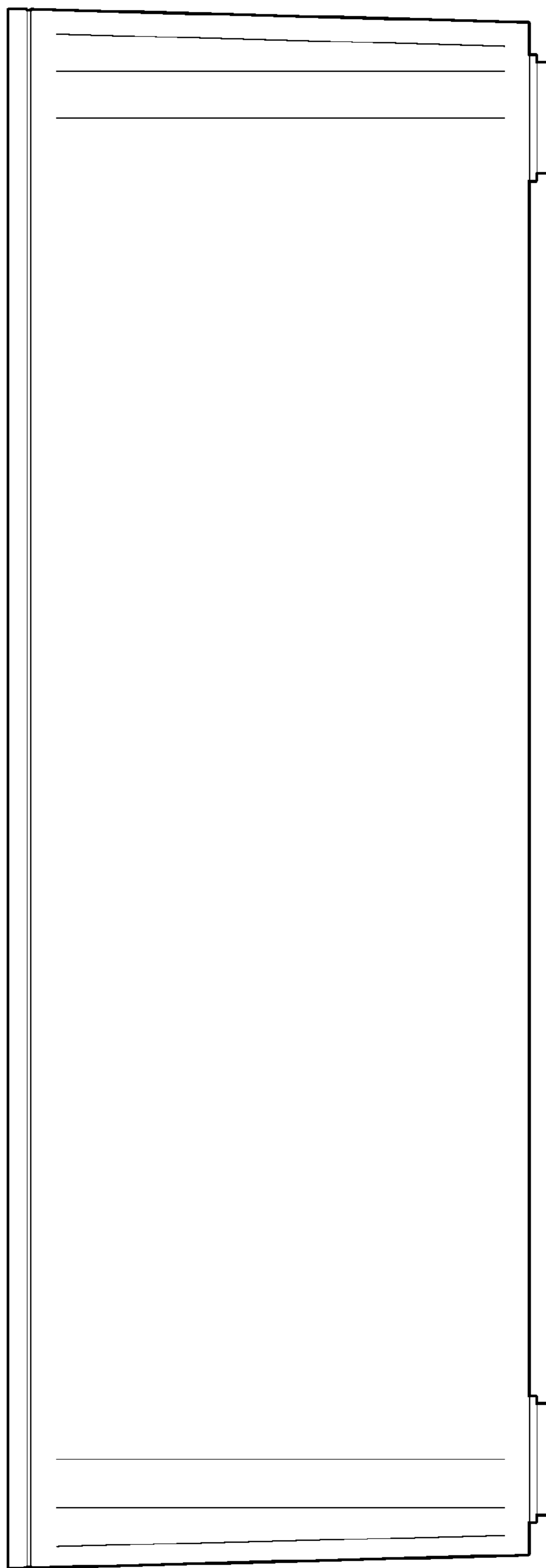


Fig. 2

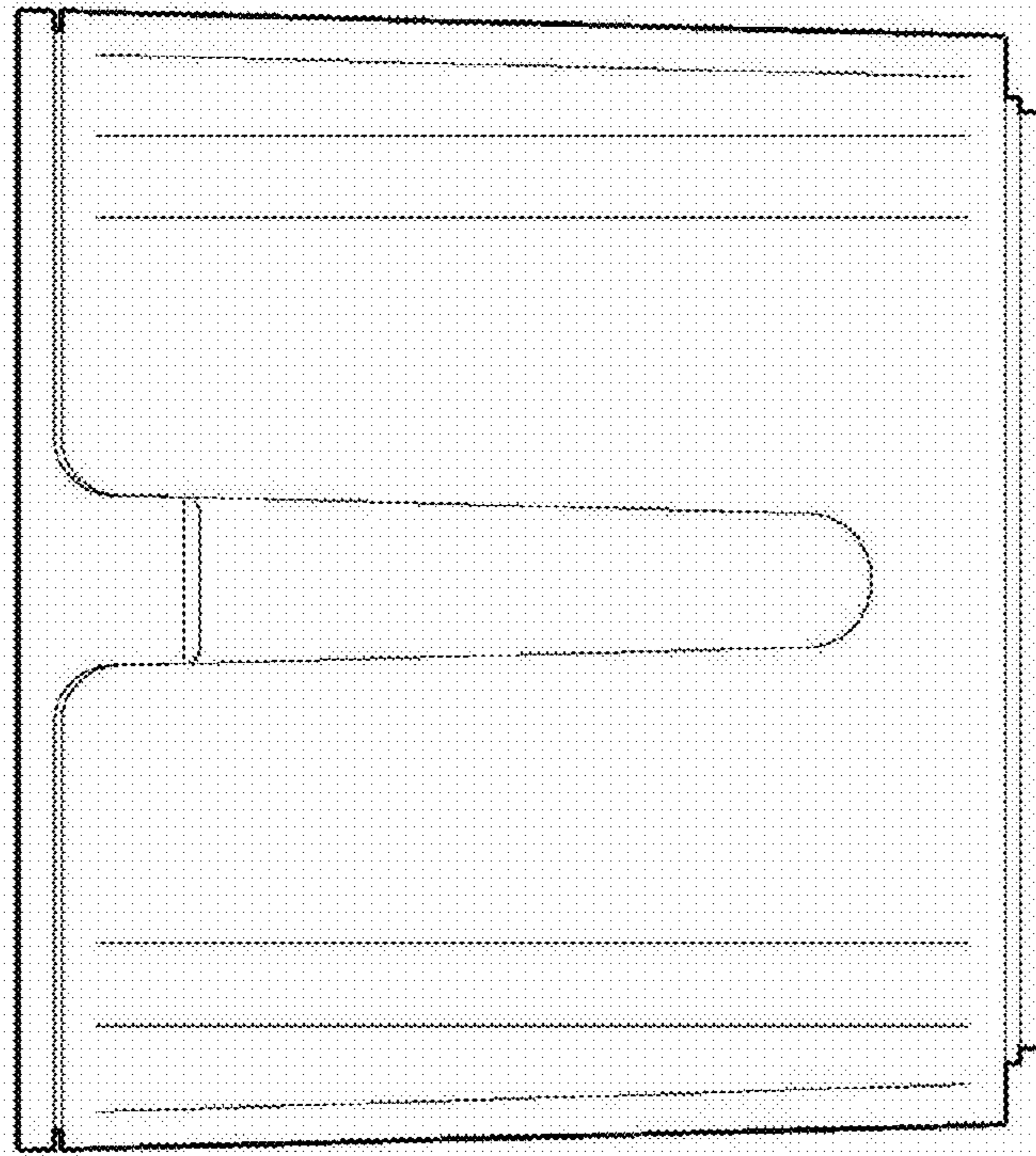


Fig. 3



Fig. 4

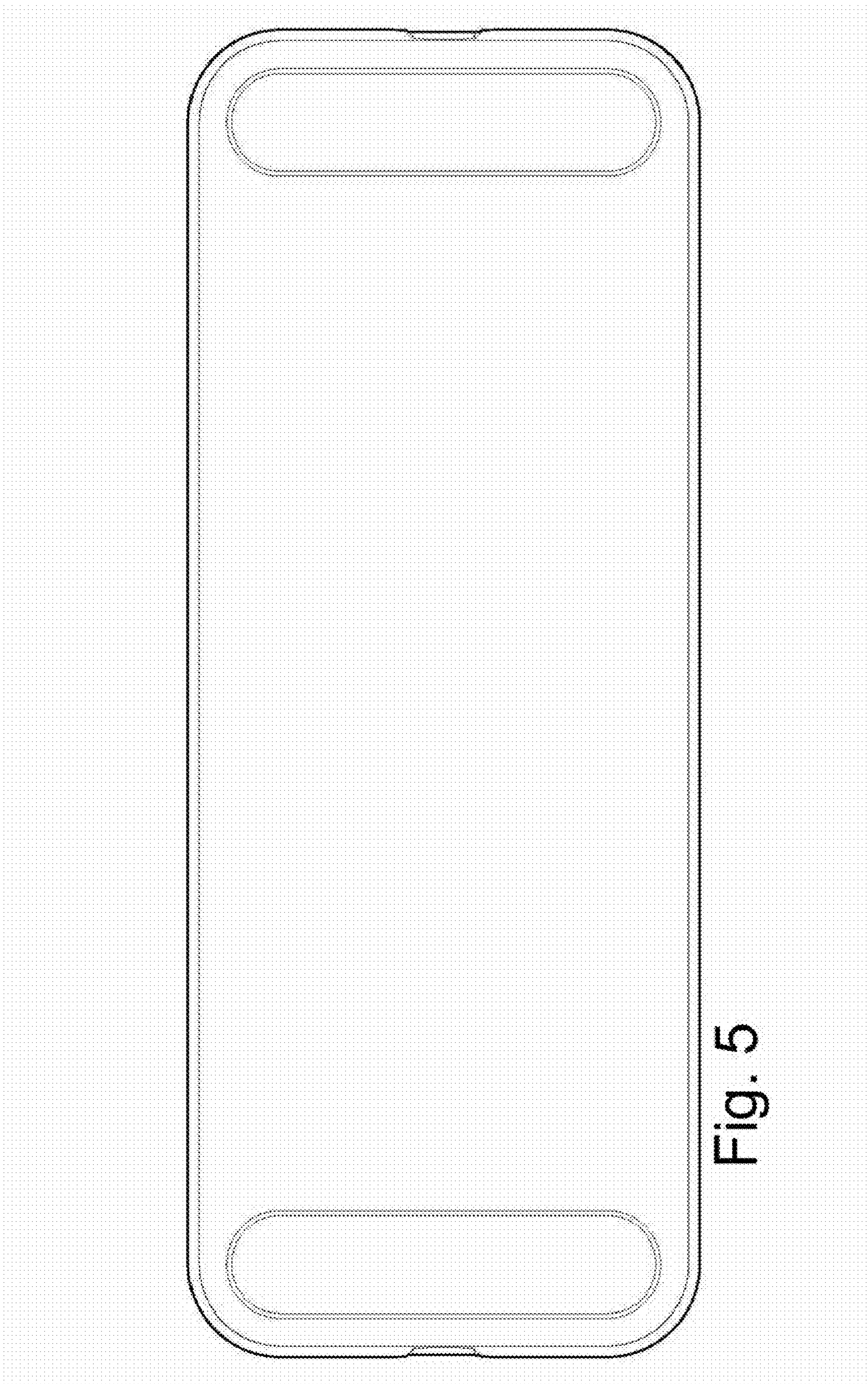


Fig. 5